

United States Patent [19]

Andersson et al.

[11] Patent Number: Des. 316,899

[45] Date of Patent: ** May 14, 1991

[54] TWO-CHAMBER INJECTOR

[75] Inventors: Ake B. Andersson, Onsala; Kjell I. Wellenstam, Gothenburg, both of Sweden

[73] Assignee: Astra Meditec AB, Molndal, Sweden

[**] Term: 14 Years

[21] Appl. No.: 158,988

[22] Filed: Feb. 18, 1988

[30] Foreign Application Priority Data

Sep. 1, 1987 [SE] Sweden 871923
[52] U.S. Cl. D24/24
[58] Field of Search D24/24, 26, 63;
604/416, 415, 197, 88, 90, 69, 70, 71, 191, 136;
206/364, 365

[56] References Cited

U.S. PATENT DOCUMENTS

D. 304,616 11/1989 Dunlap et al. D24/24
3,636,950 1/1972 Gomez et al. 604/416
3,688,765 9/1972 Gasaway 604/70
3,946,732 3/1976 Hurseham 604/88

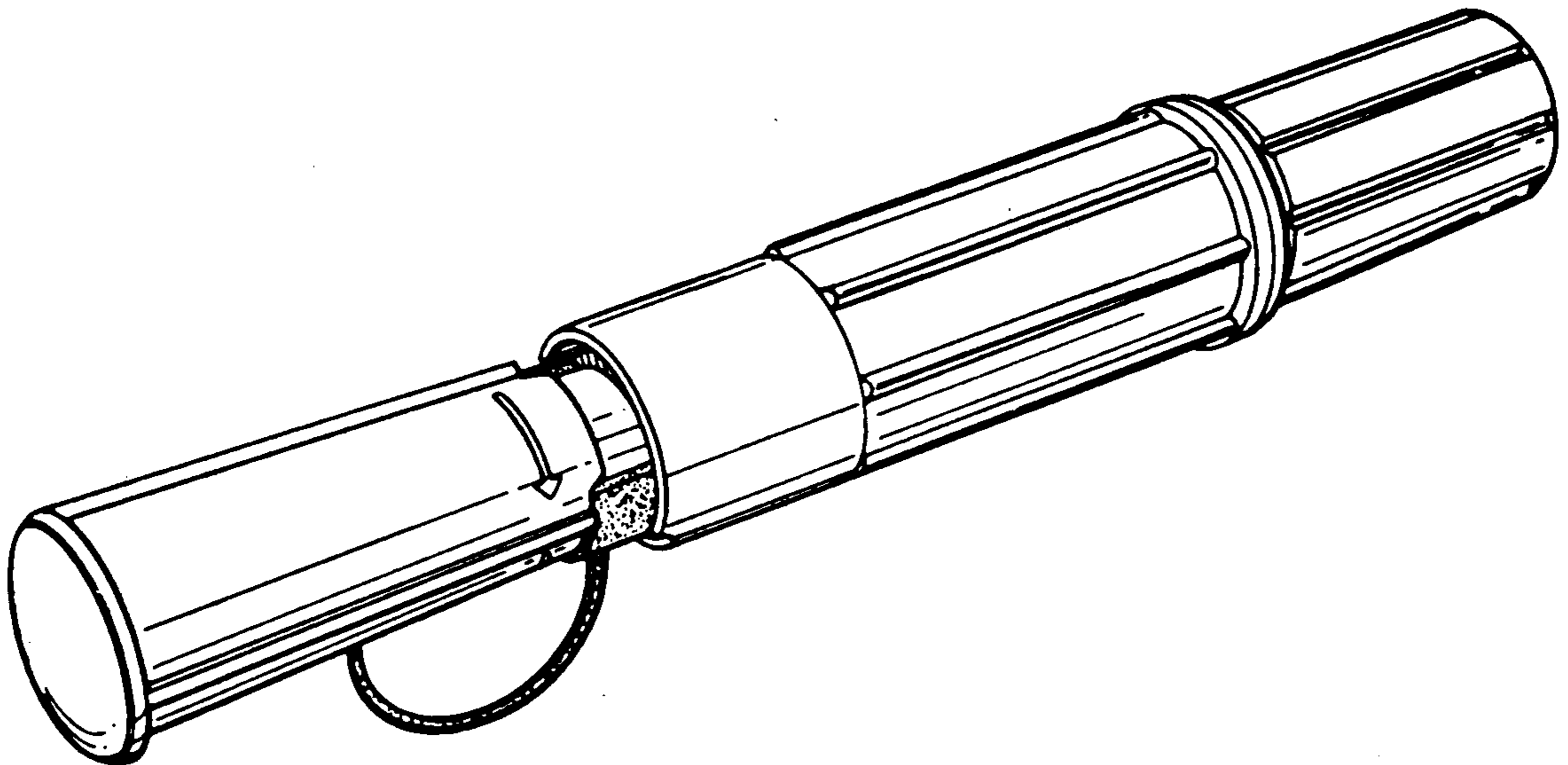
Primary Examiner—Stella Reid
Attorney, Agent, or Firm—White & Case

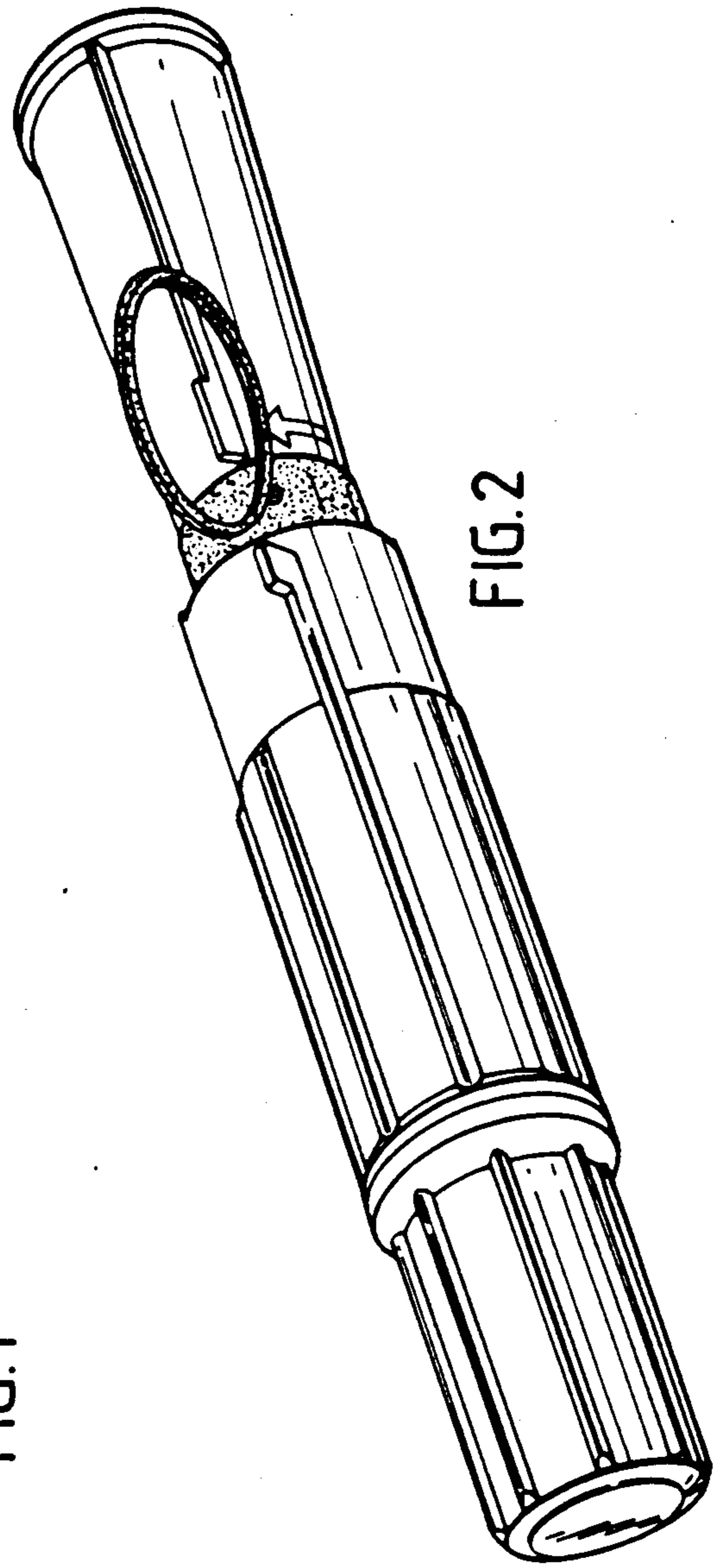
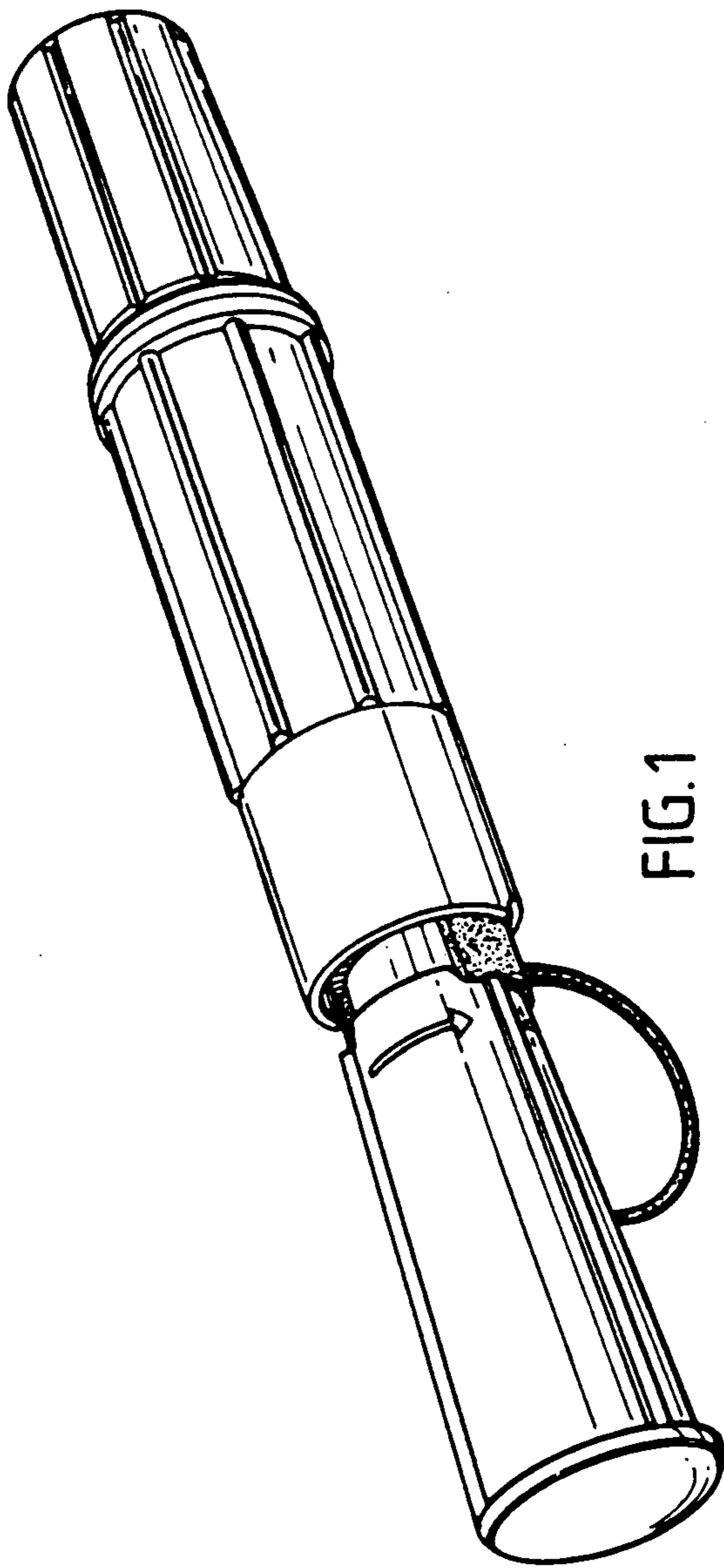
[57] CLAIM

The ornamental design for a two-chamber injector, as shown.

DESCRIPTION

FIG. 1 is a top perspective view of a two-chamber injector, showing our new design; FIG. 2 is a bottom perspective view thereof; and FIG. 3 is a side elevational view thereof.





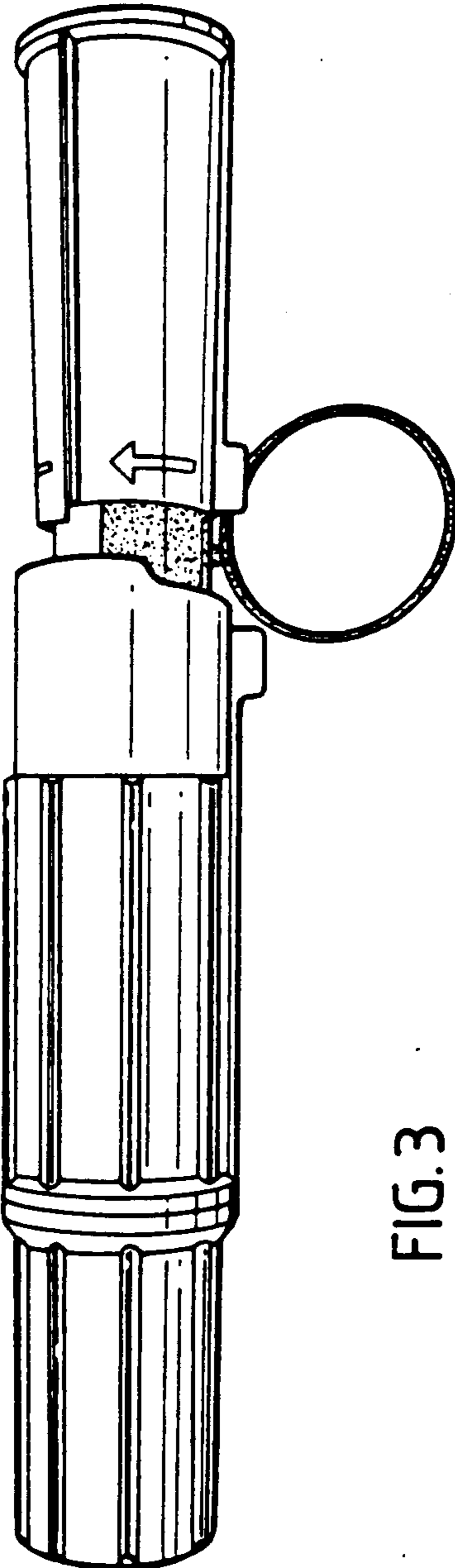


FIG. 3