

[54] COMBINED GAS TREATMENT TUBE AND ENCLOSING GUARD TUBE

[75] Inventors: Barry L. Burger, Bellefonte; John F. McDevitt, State College, both of Pa.

[73] Assignee: Supelco, Inc., Bellefonte, Pa.

[\*\*] Term: 14 Years

[21] Appl. No.: 38,805

[22] Filed: Apr. 14, 1987

[52] U.S. Cl. .... D24/8

[58] Field of Search ..... D24/1.1, 7.8, 29; 55/25, 58, 62; 502/51, 52, 38; 585/446, 467, 470, 474, 475, 481, 486; 34/15, 22, 36, 79, 80

[56] References Cited  
PUBLICATIONS

Fisher Scientific 81 Catalog, ©1980, Drierite Laboratory Gas Drying Unit, item #09-204, p. 284.  
Analabs Chromatography Supplies Catalog-1987, See through Gas Drier, p. 129.

Primary Examiner—Stella Reid

[57] CLAIM

The ornamental design for a combined gas treatment tube and enclosing guard tube, as shown and described.

DESCRIPTION

FIG. 1 is a side elevational view of a combined gas treatment tube and enclosing guard tube, showing my new design, the opposite side elevational view being identical thereto;

FIG. 2 is a front elevational view thereof, the rear elevational view being identical thereto;

FIG. 3 is a top plan view thereof;

FIG. 4 is a bottom plan view thereof;

FIG. 5 is a perspective view thereof;

FIG. 6 is a side elevational view of a second embodiment of FIG. 1, the opposite side elevational view being identical thereto;

FIG. 7 is a front elevational view thereof, the rear elevational view being identical thereto;

FIG. 8 is a top plan view thereof;

FIG. 9 is a bottom plan view thereof;

FIG. 10 is a perspective view thereof;

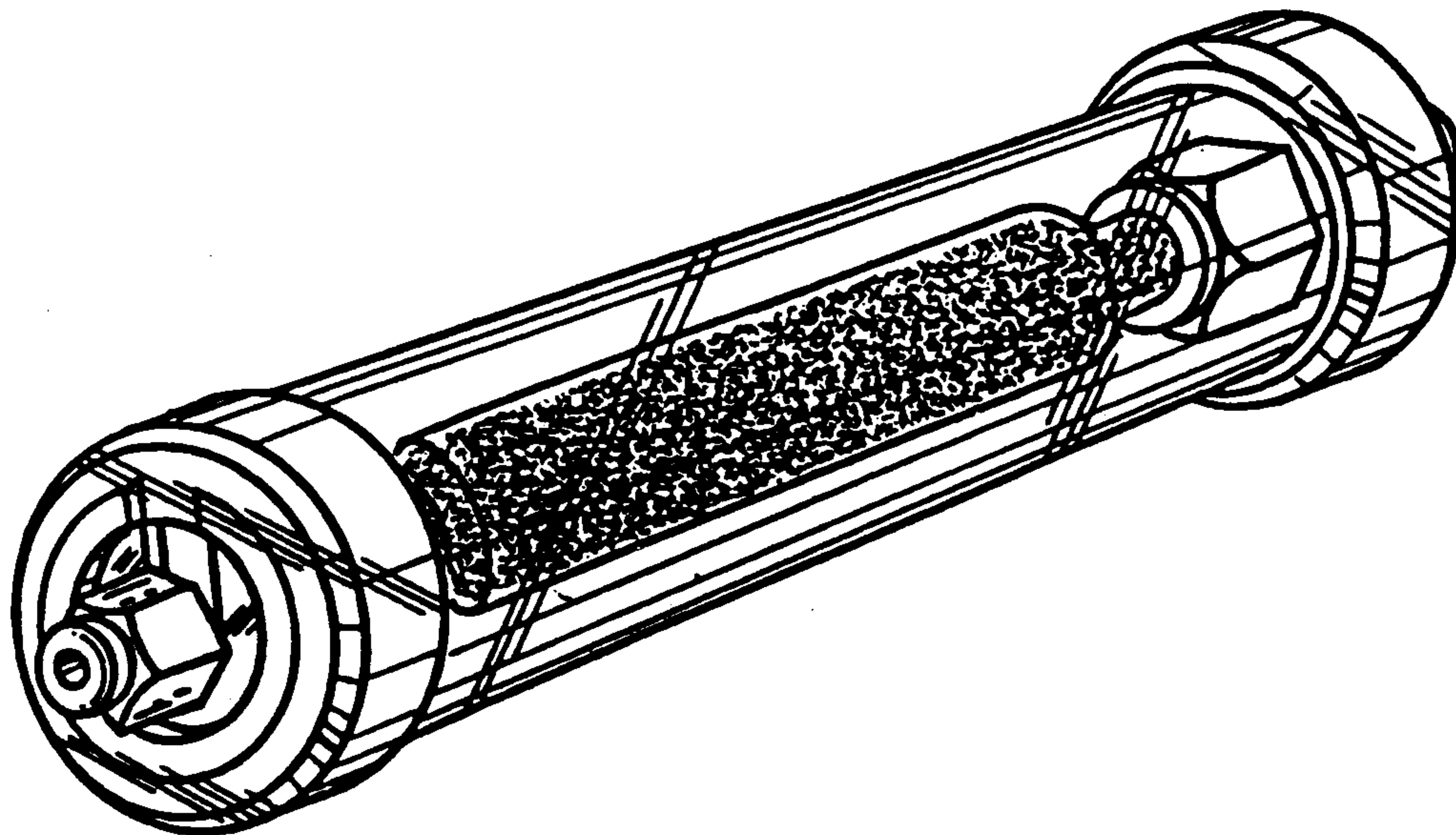
FIG. 11 is a side elevational view of a third embodiment of FIG. 1, the opposite side elevational view being identical thereto;

FIG. 12 is a front elevational view thereof, the rear elevational view being identical thereto;

FIG. 13 is a top plan view thereof;

FIG. 14 is a bottom plan view thereof; and

FIG. 15 is a perspective view thereof.



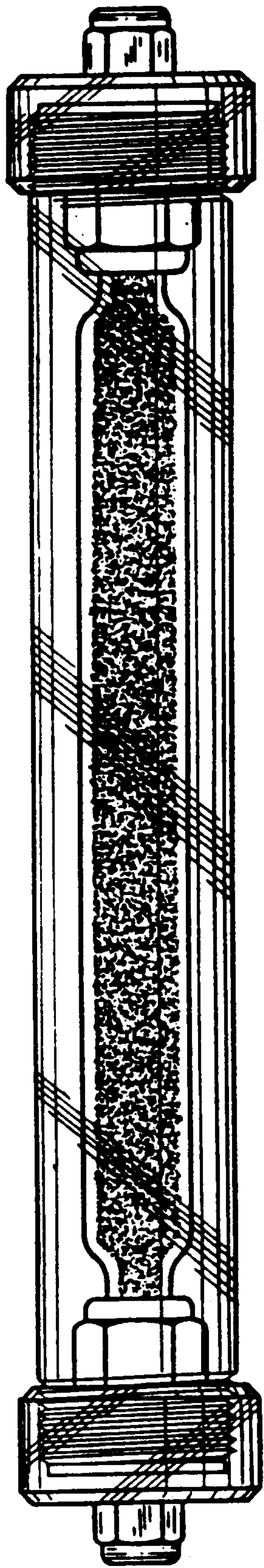


FIG. 1

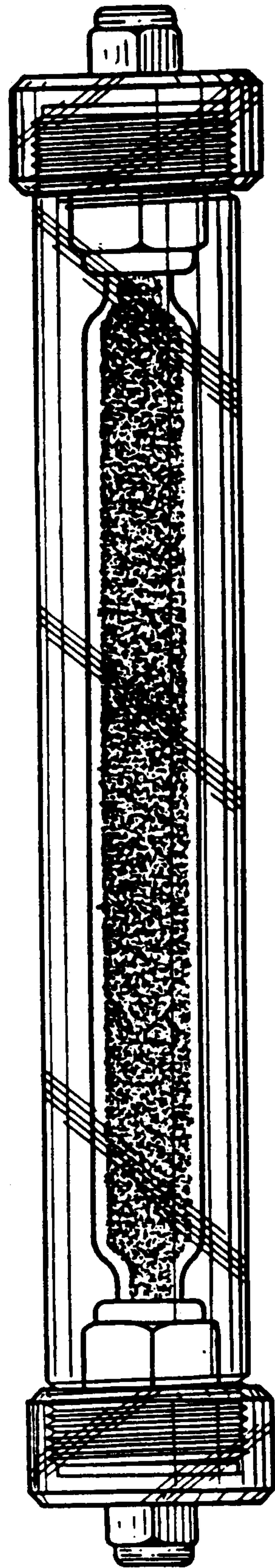


FIG. 2



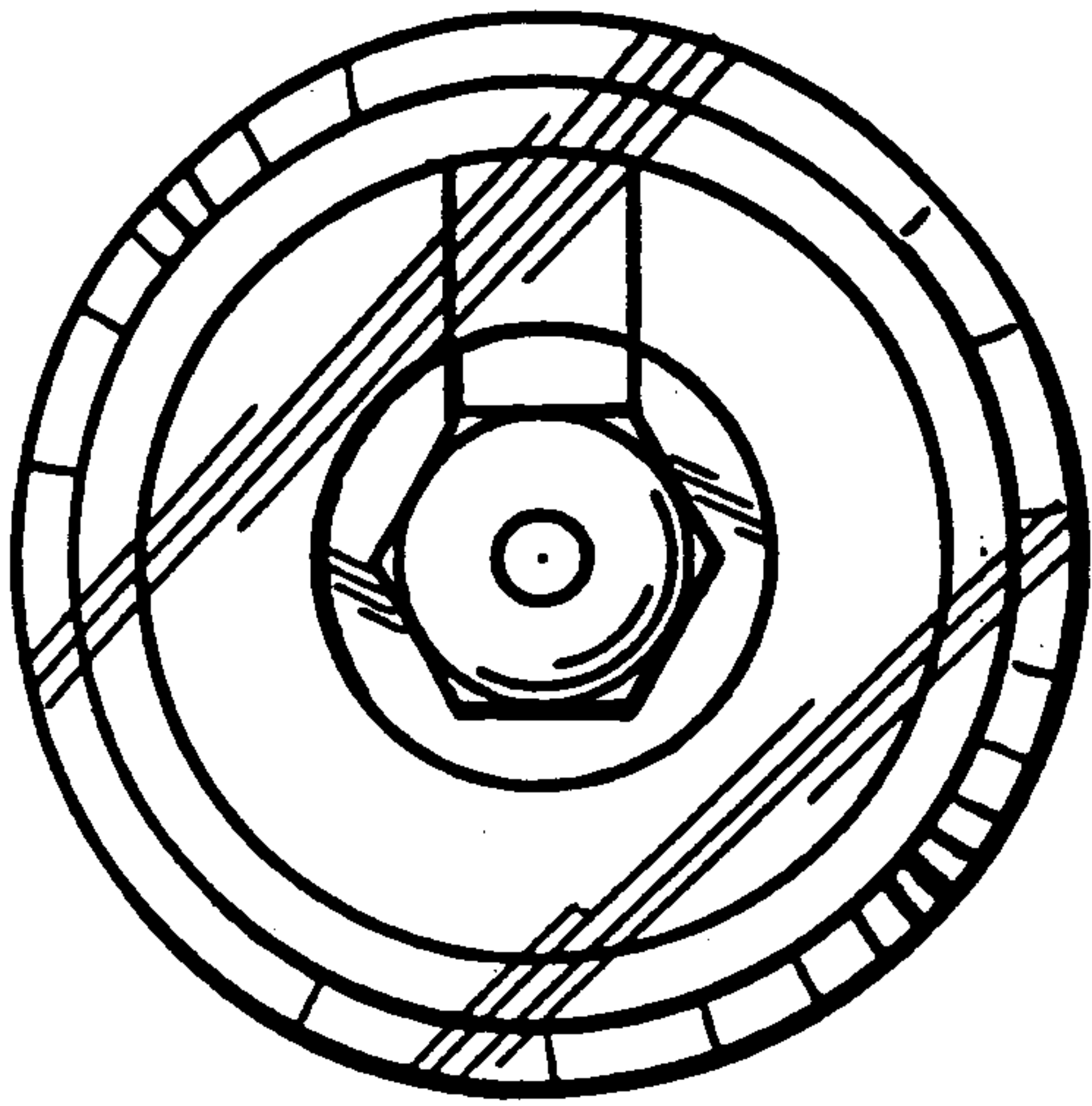


FIG. 3

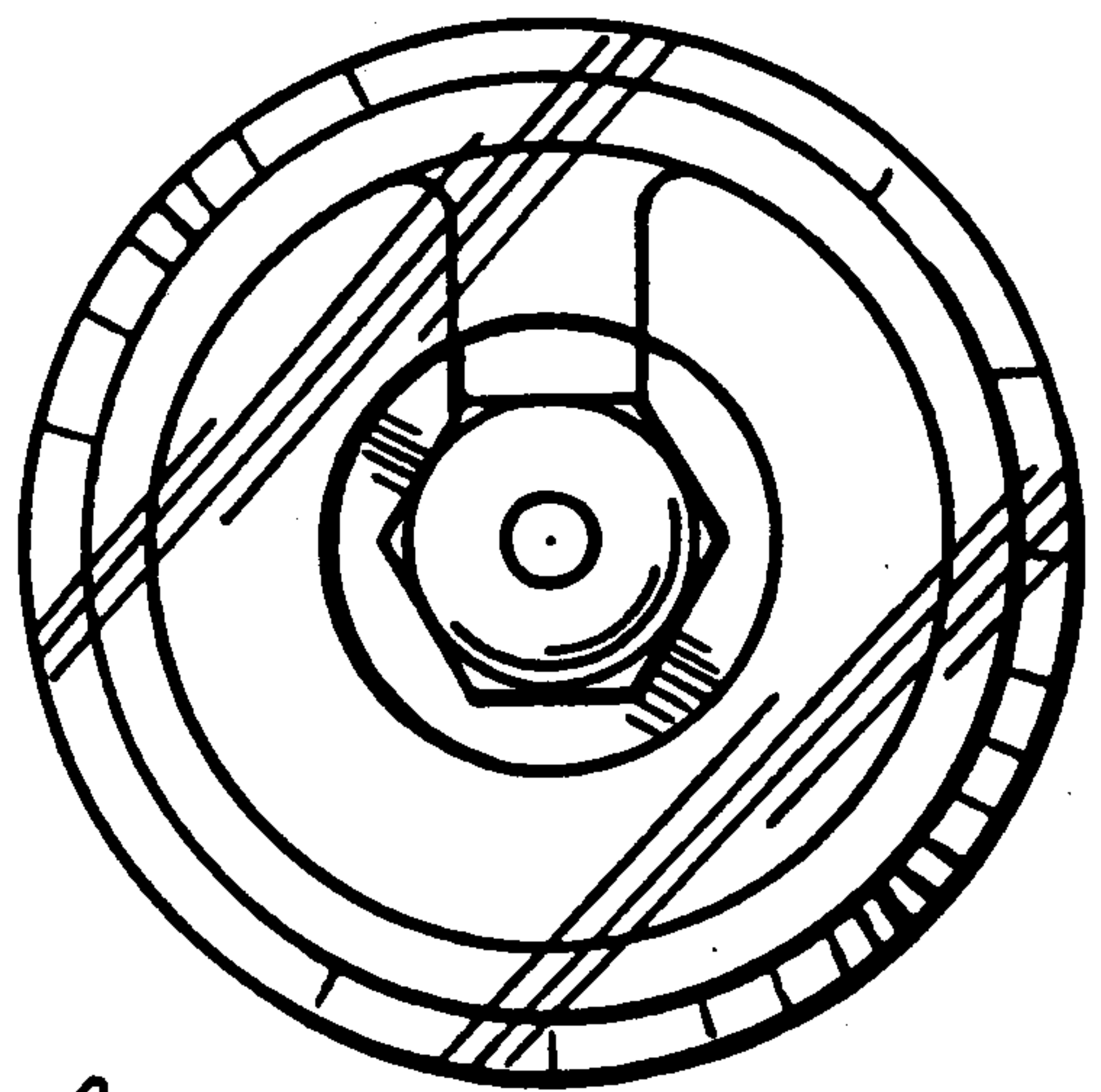


FIG. 4

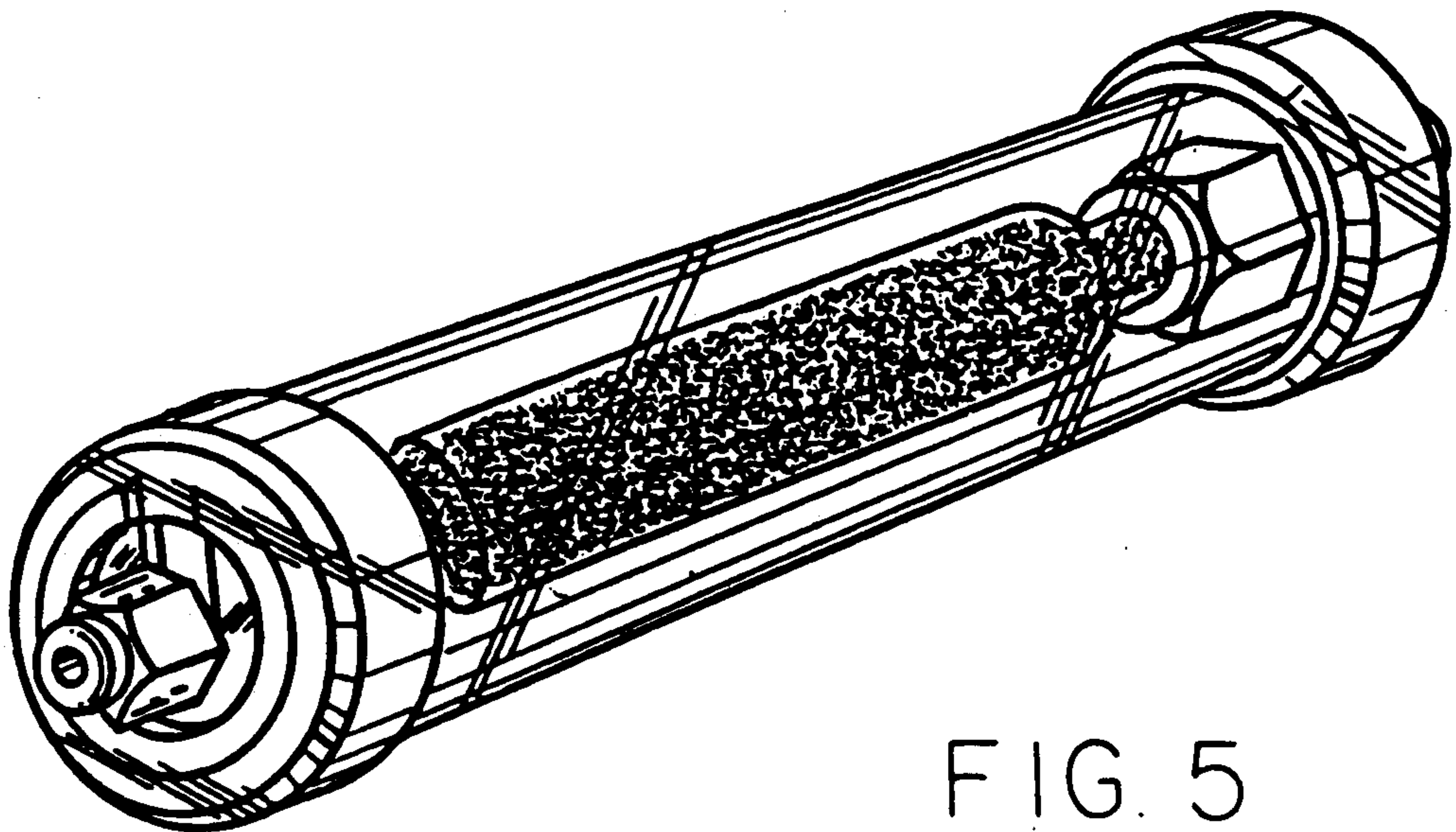


FIG. 5

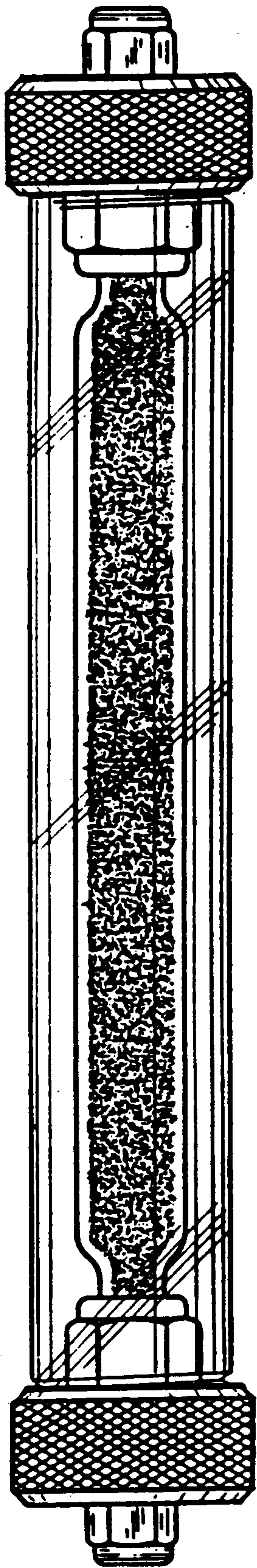


FIG 6

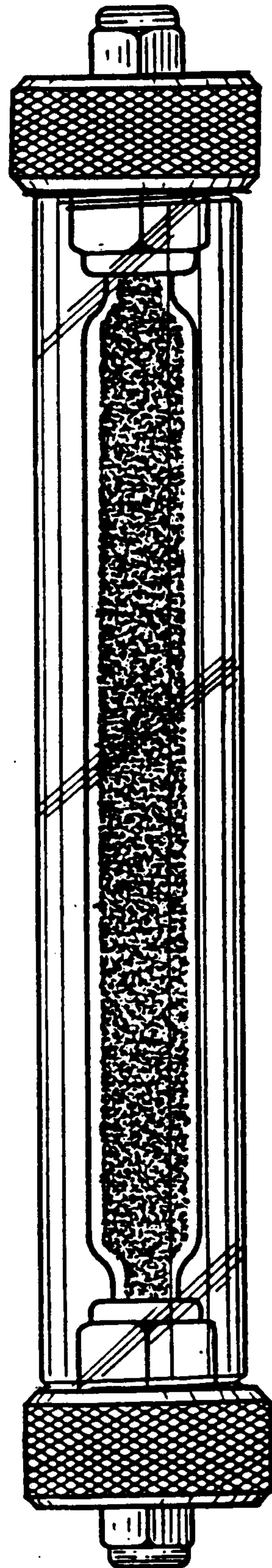


FIG 7

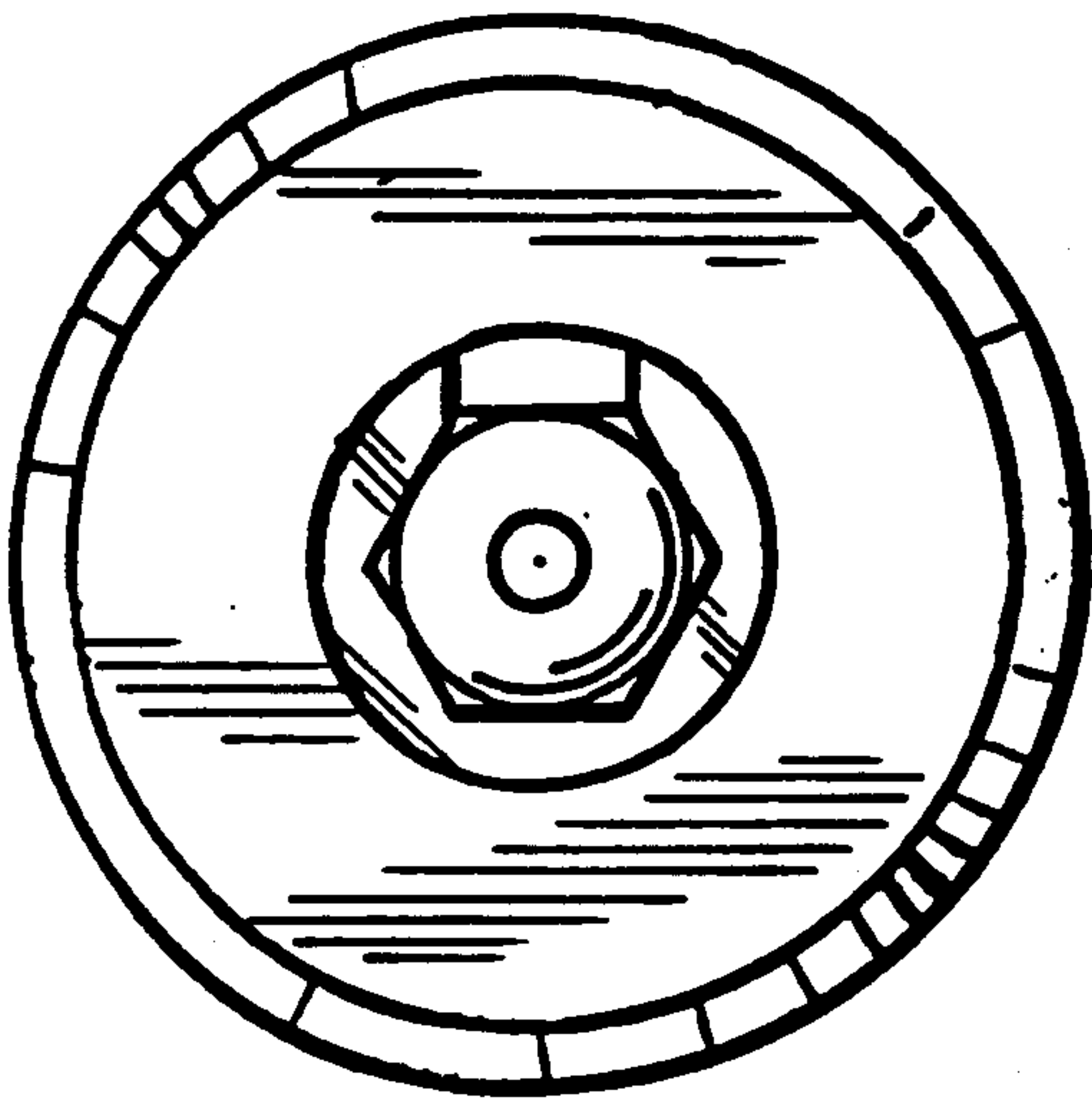


FIG. 8

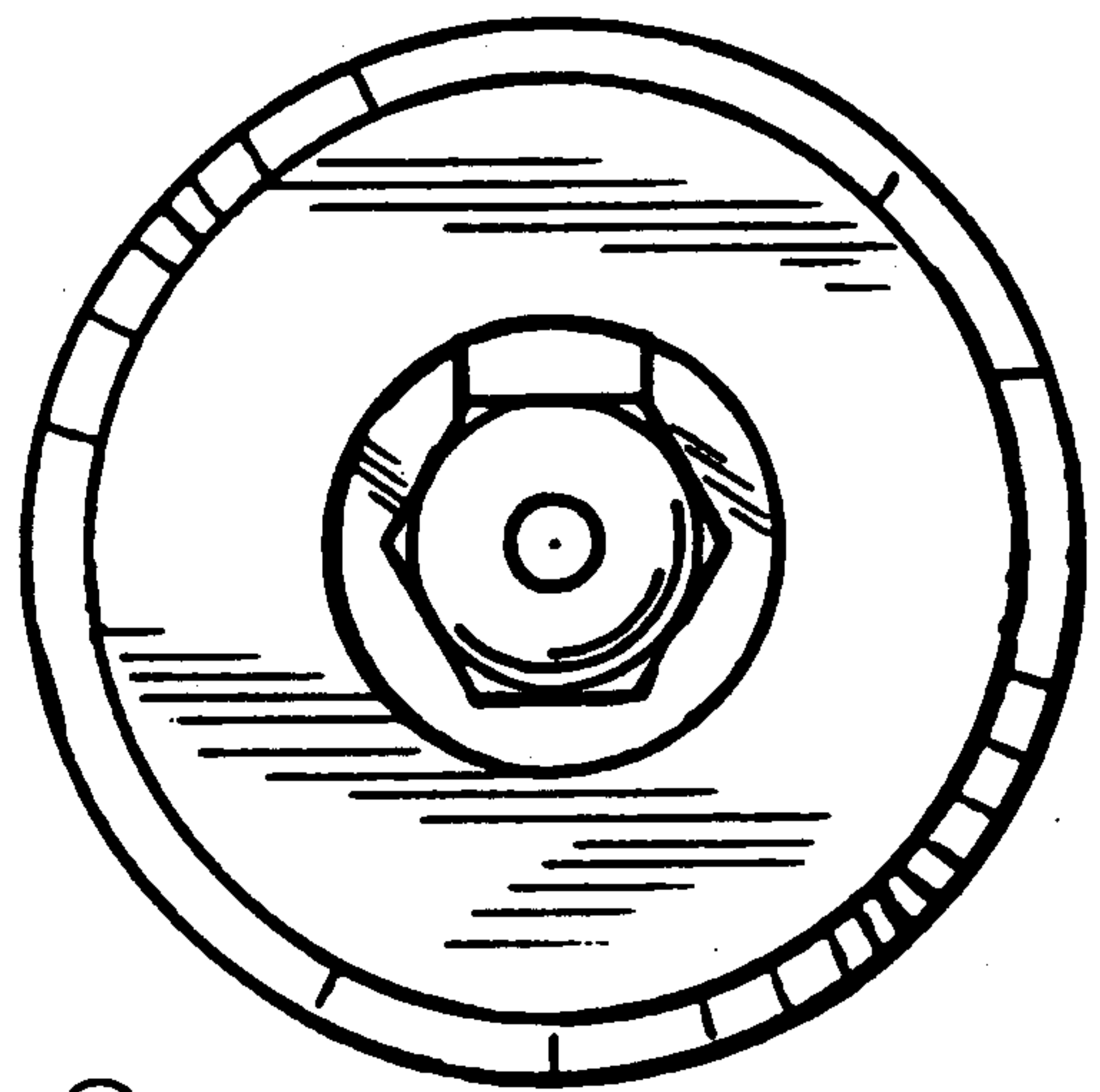


FIG. 9

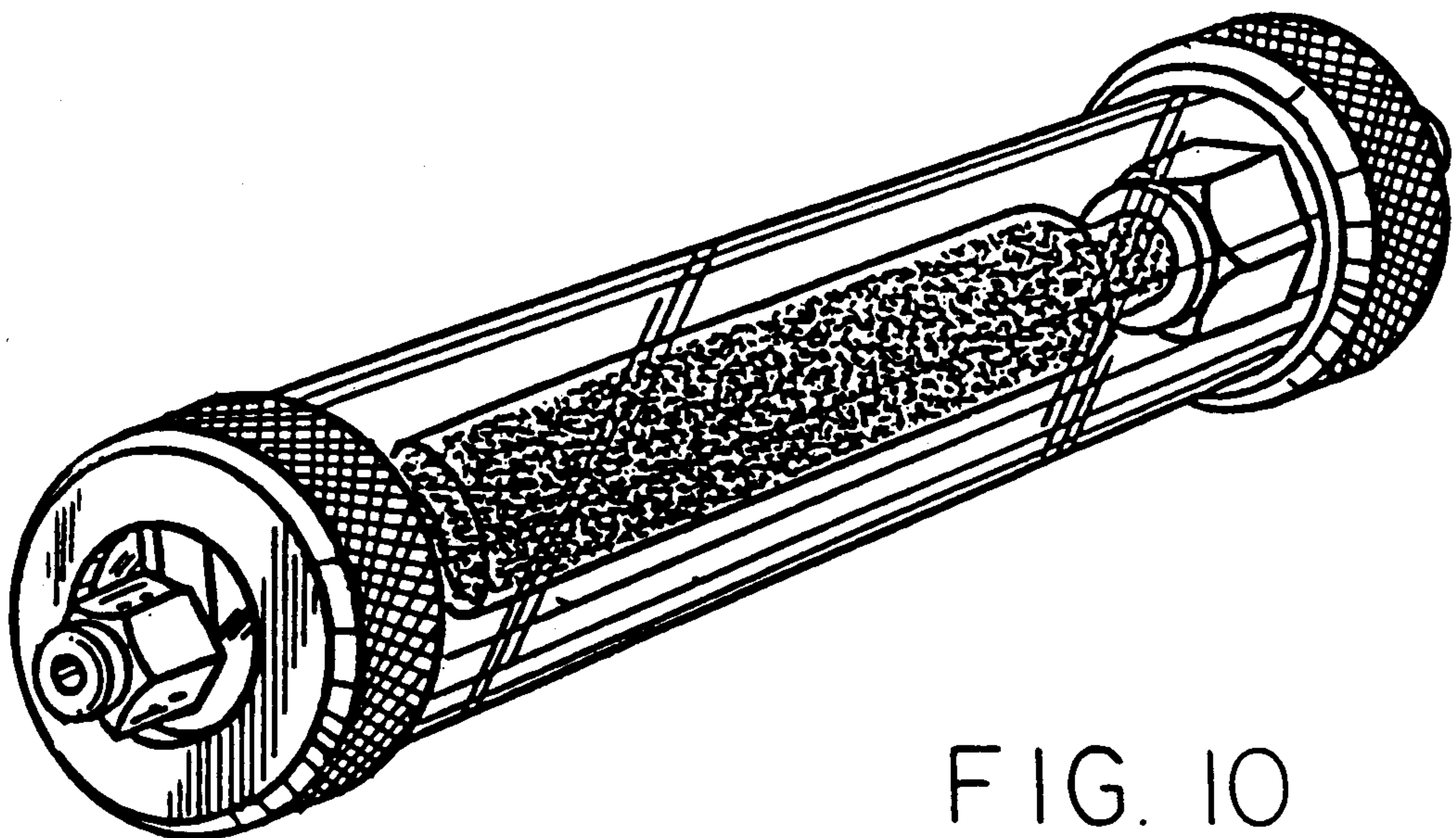


FIG. 10



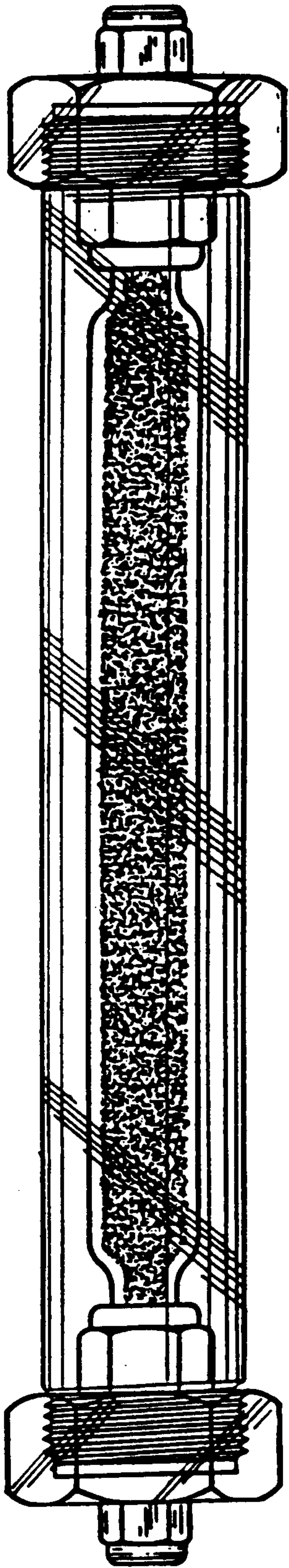


FIG. 11

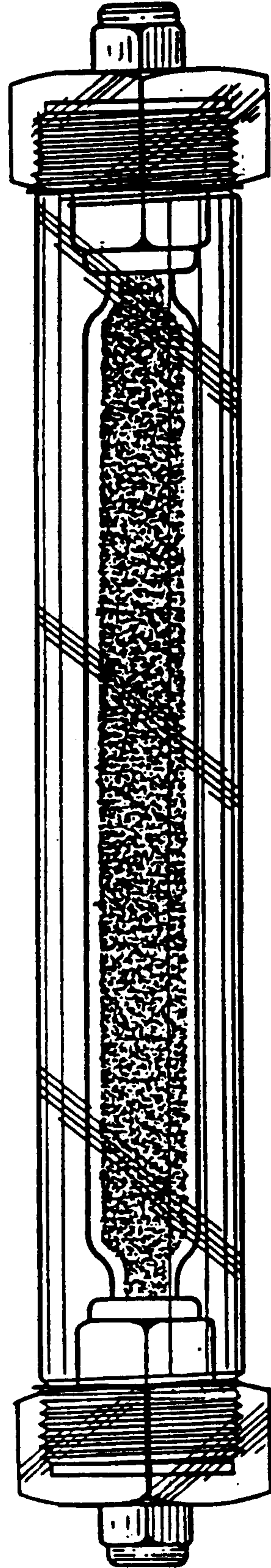


FIG. 12

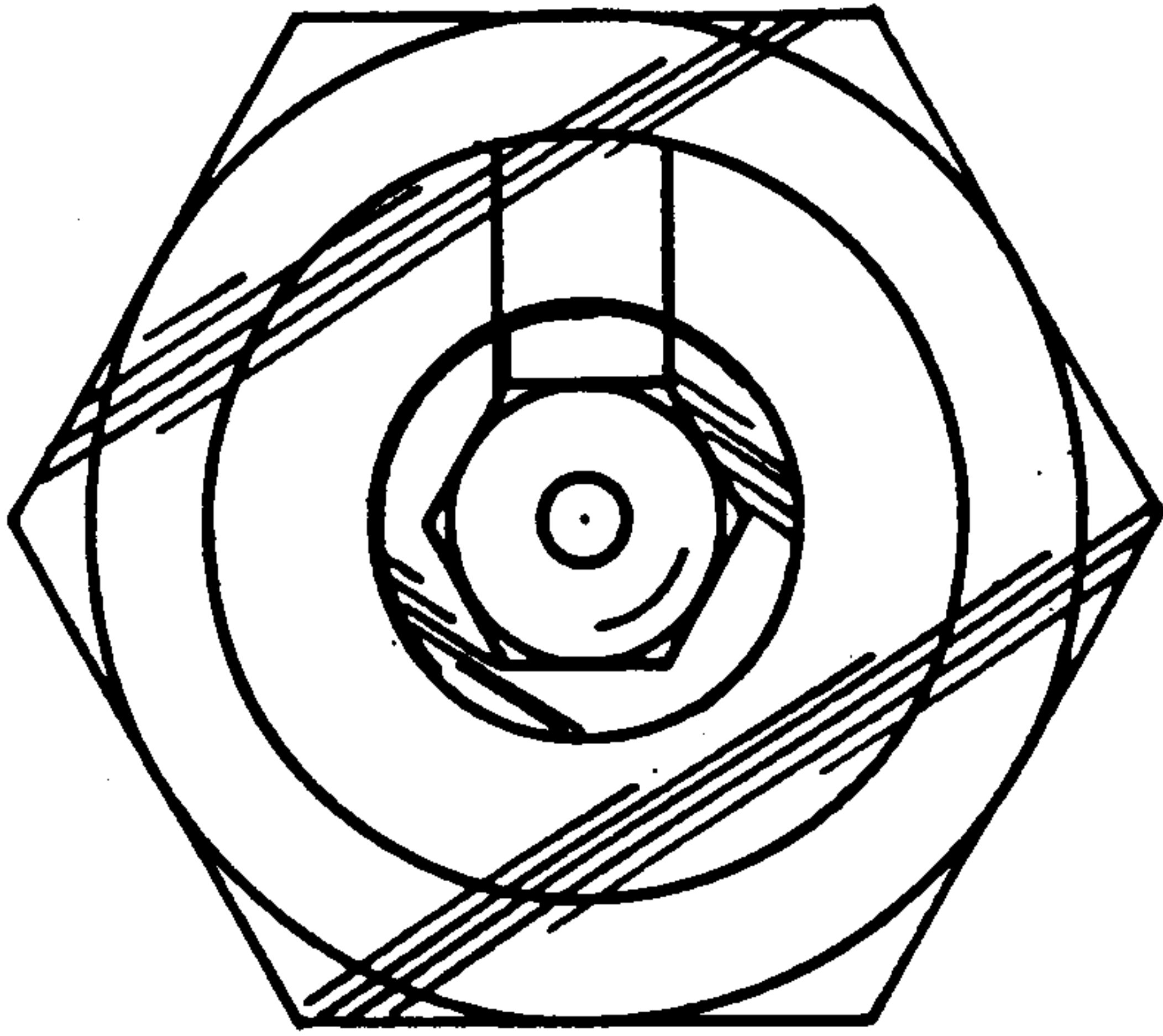


FIG. 13

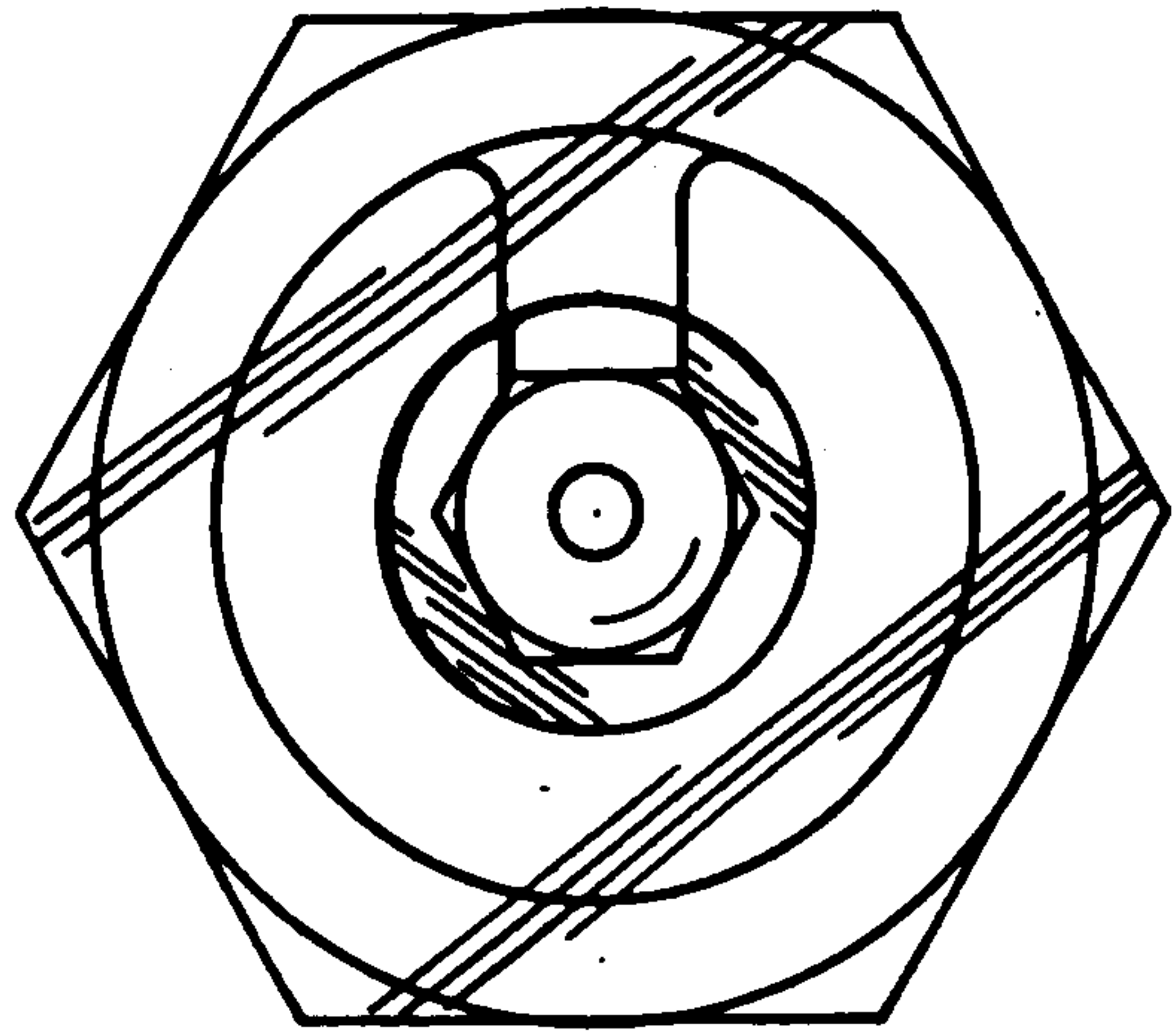


FIG. 14

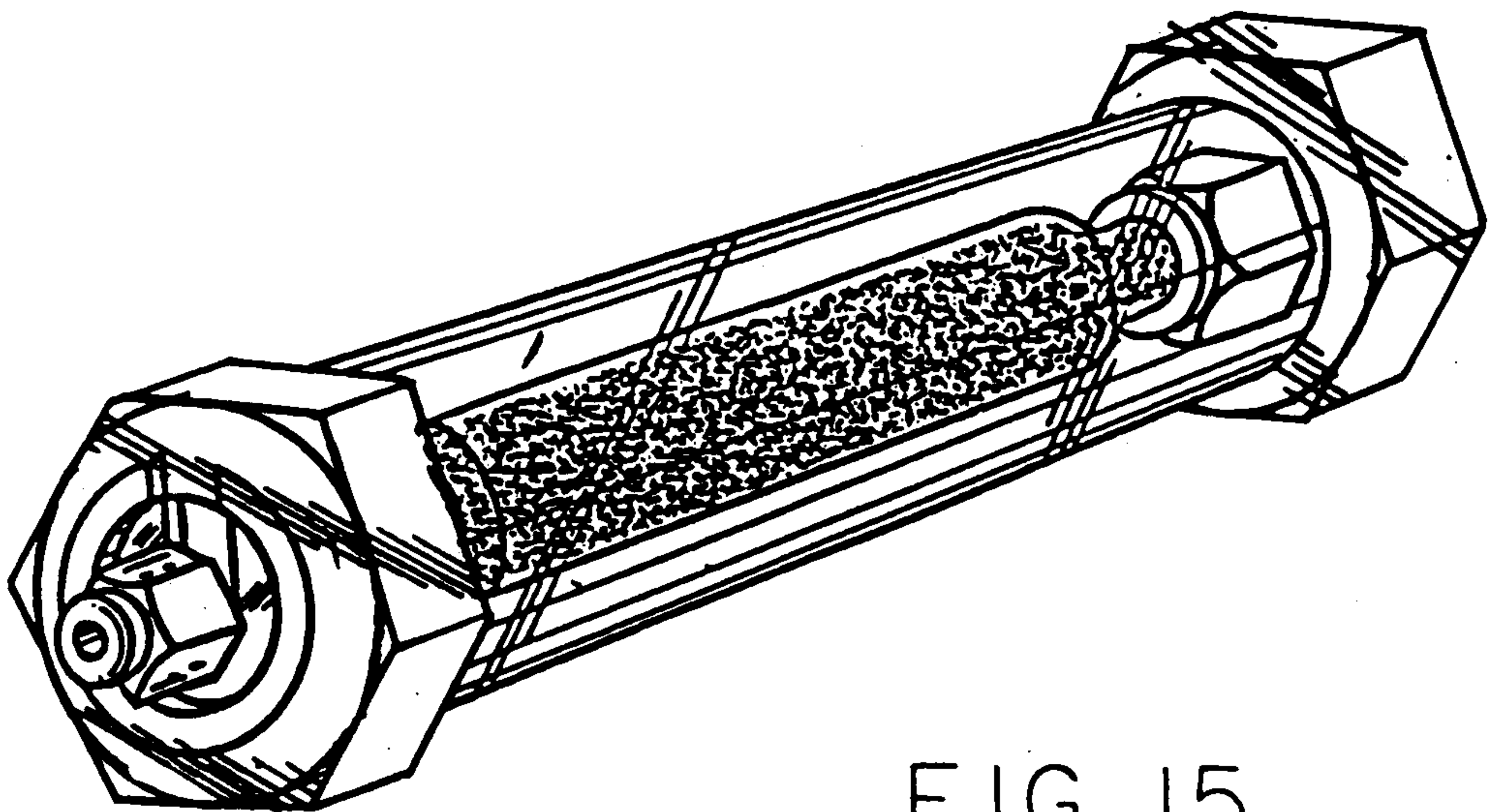


FIG. 15