

[54] GATE VALVE FOR IRRIGATION PIPE

[76] Inventor: James J. Glodowski, 3050 S. Lincoln, Jerome, Id. 83338

[**] Term: 14 Years

[21] Appl. No.: 112,774

[22] Filed: Oct. 26, 1987

[52] U.S. Cl. D23/244

[58] Field of Search 251/326-329, 251/231, 233, 300, 301; D23/244; 138/94.3

[56] References Cited

U.S. PATENT DOCUMENTS

D. 233,888	12/1974	Hnatko	D23/244
D. 251,603	4/1979	de Feudis	D23/244
838,479	12/1906	Tromblee	251/327
1,054,103	2/1913	Force	251/327
1,054,150	2/1913	Thorsbt	251/327
1,078,271	11/1913	Force et al.	251/327
1,754,198	4/1930	Du Bois	251/327
1,912,765	6/1933	Erni	251/326

2,449,145	9/1948	Rosmait	251/327
2,600,499	6/1952	Harrower	251/233
2,913,220	11/1959	Cover	251/327
3,096,072	7/1963	Gulick	D23/244
4,007,911	2/1977	Clarkson	251/231
4,026,517	5/1977	Still	251/231
4,483,509	11/1984	Lewcock et al.	251/328

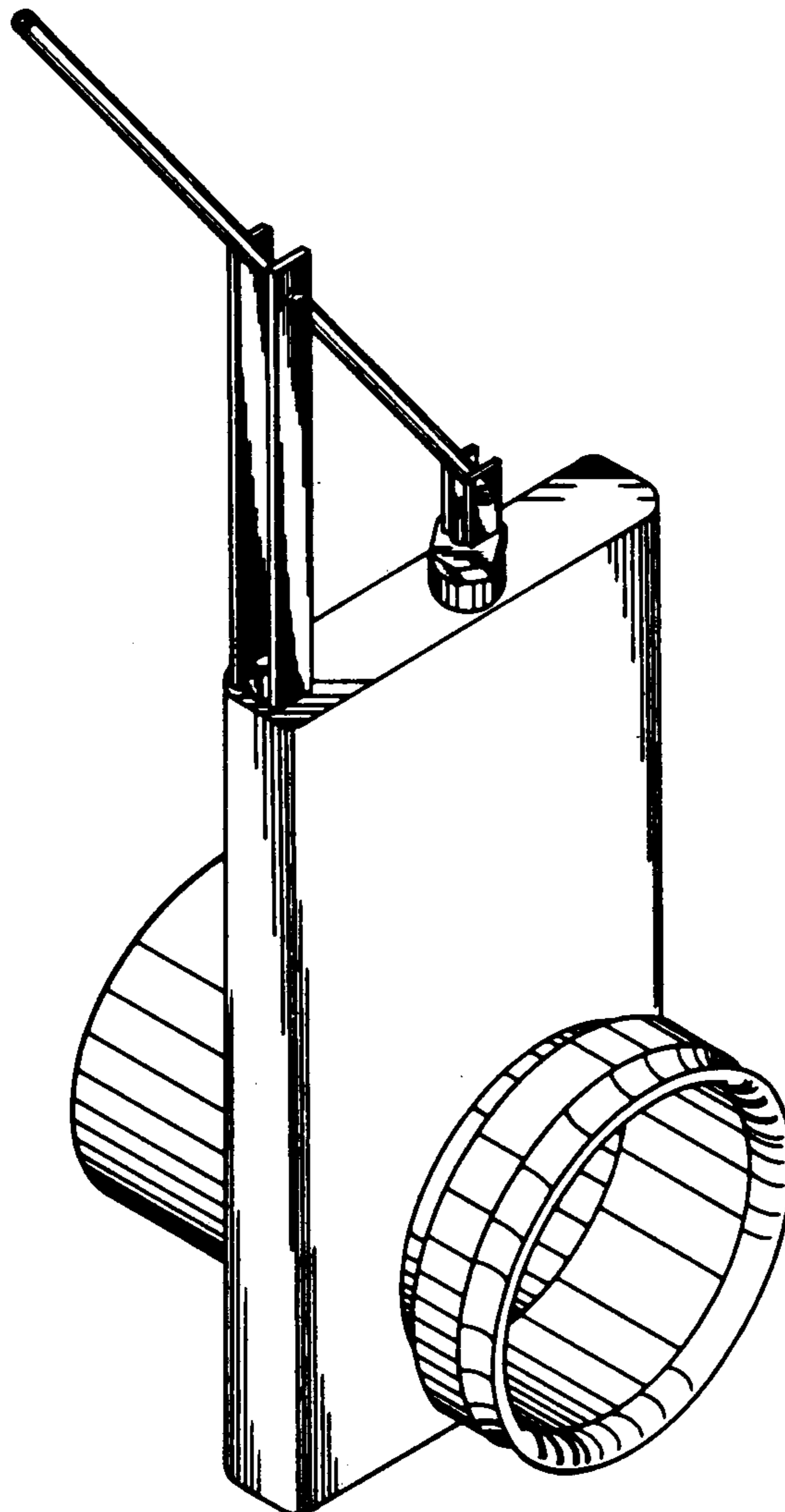
Primary Examiner—James R. Largen
Assistant Examiner—Demetrius Reynolds
Attorney, Agent, or Firm—Frank J. Dykas; Craig M. Korfanta

[57] CLAIM

The ornamental design for a gate valve for irrigation pipe, as shown and described.

DESCRIPTION

FIG. 1 is a perspective view taken from the top, front and left side of a gate valve for irrigation pipe showing my new design;
FIG. 2 is a left side elevational view thereof;
FIG. 3 is a right side elevational view thereof; and
FIG. 4 is a front elevational view thereof.



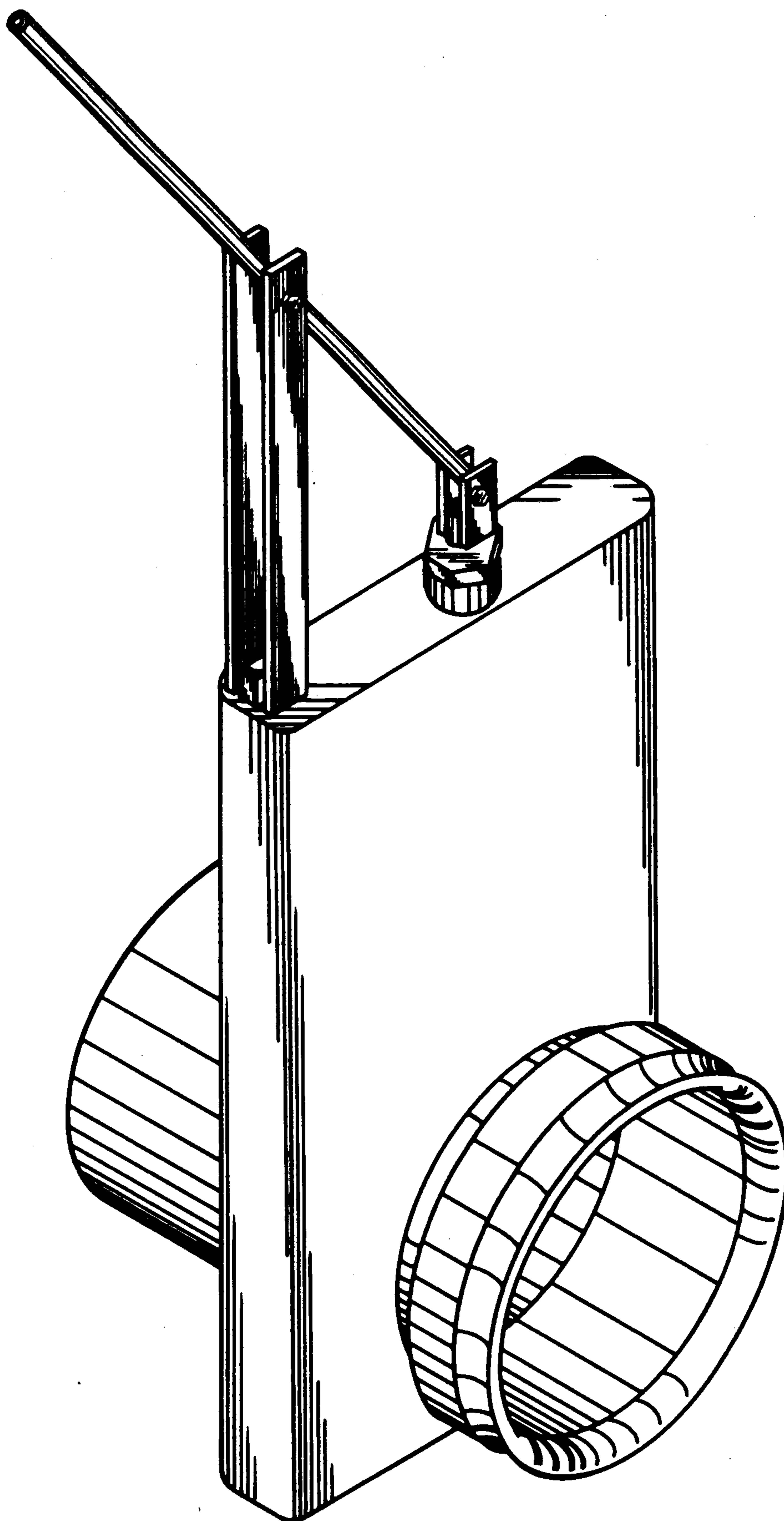


FIG. 1.

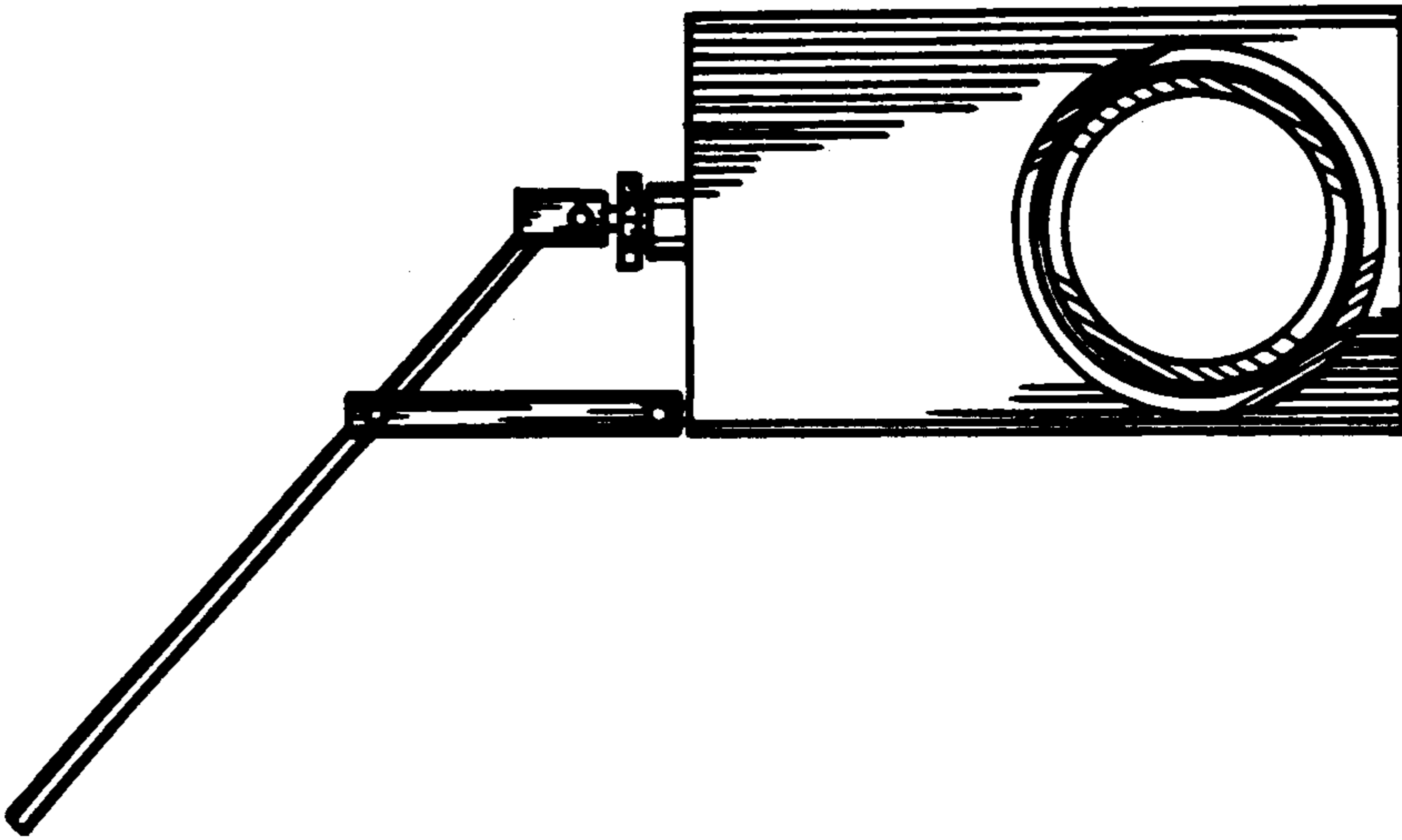


FIG. 4.

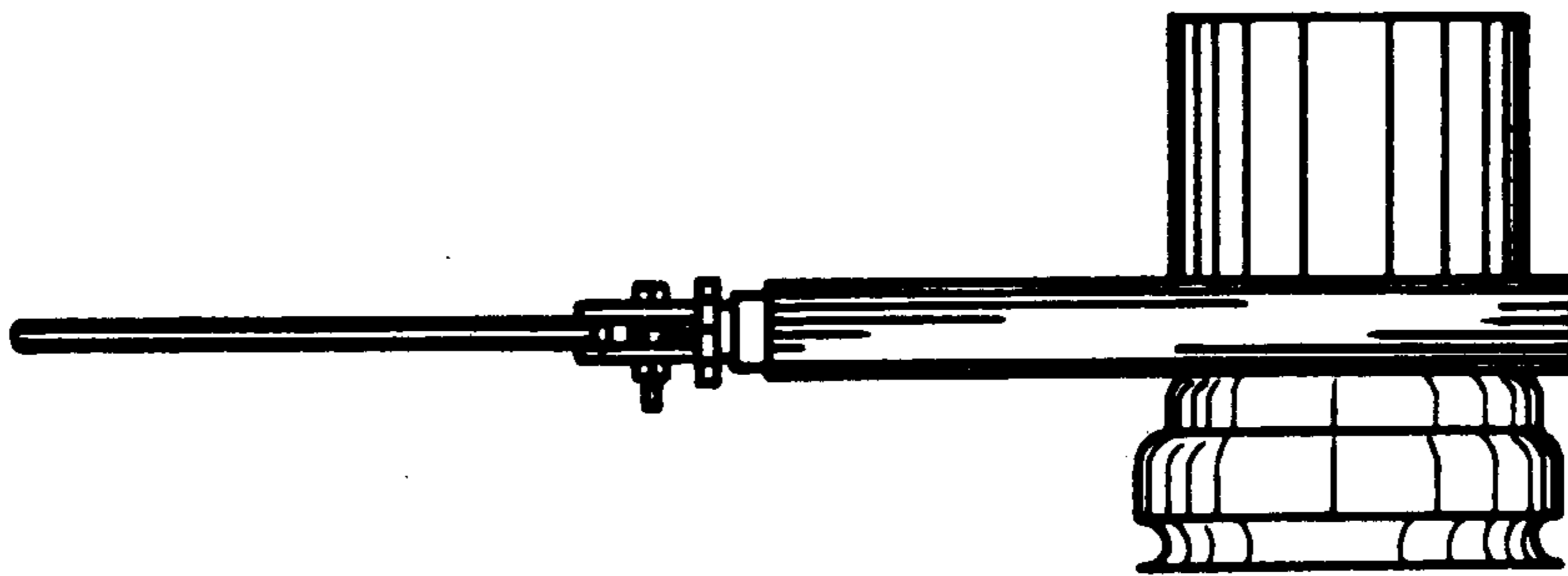


FIG. 3.

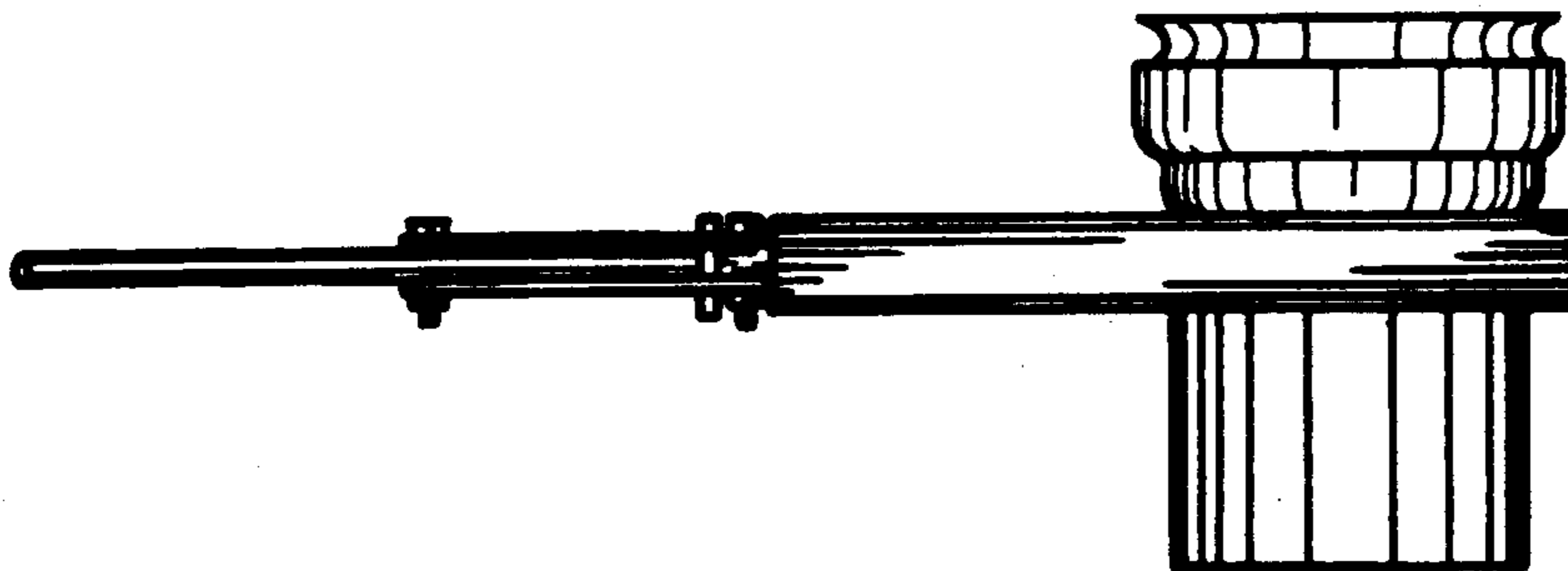


FIG. 2.