

[54] **ROUNABOUT AMUSEMENT RIDE**  
[75] **Inventor: Evan K. Smith, Guide Rock, Nebr.**  
[73] **Assignee: Larry K. Smith, Omaha, Nebr.**  
[\*\*] **Term: 14 Years**  
[21] **Appl. No.: 282,341**  
[22] **Filed: Dec. 8, 1988**  
[52] **U.S. Cl. .... D21/249**  
[58] **Field of Search ..... D21/240, 243, 249;  
272/28 S, 33 R, 39, 40, 42, 51**

3,649,007 3/1972 Thomas ..... 272/33 R

*Primary Examiner—Melvin B. Feifer*  
*Assistant Examiner—Philip Hyder*  
*Attorney, Agent, or Firm—Henderson & Strum*

[57] **CLAIM**

The ornamental design for an roundabout amusement ride, as shown and described.

**DESCRIPTION**

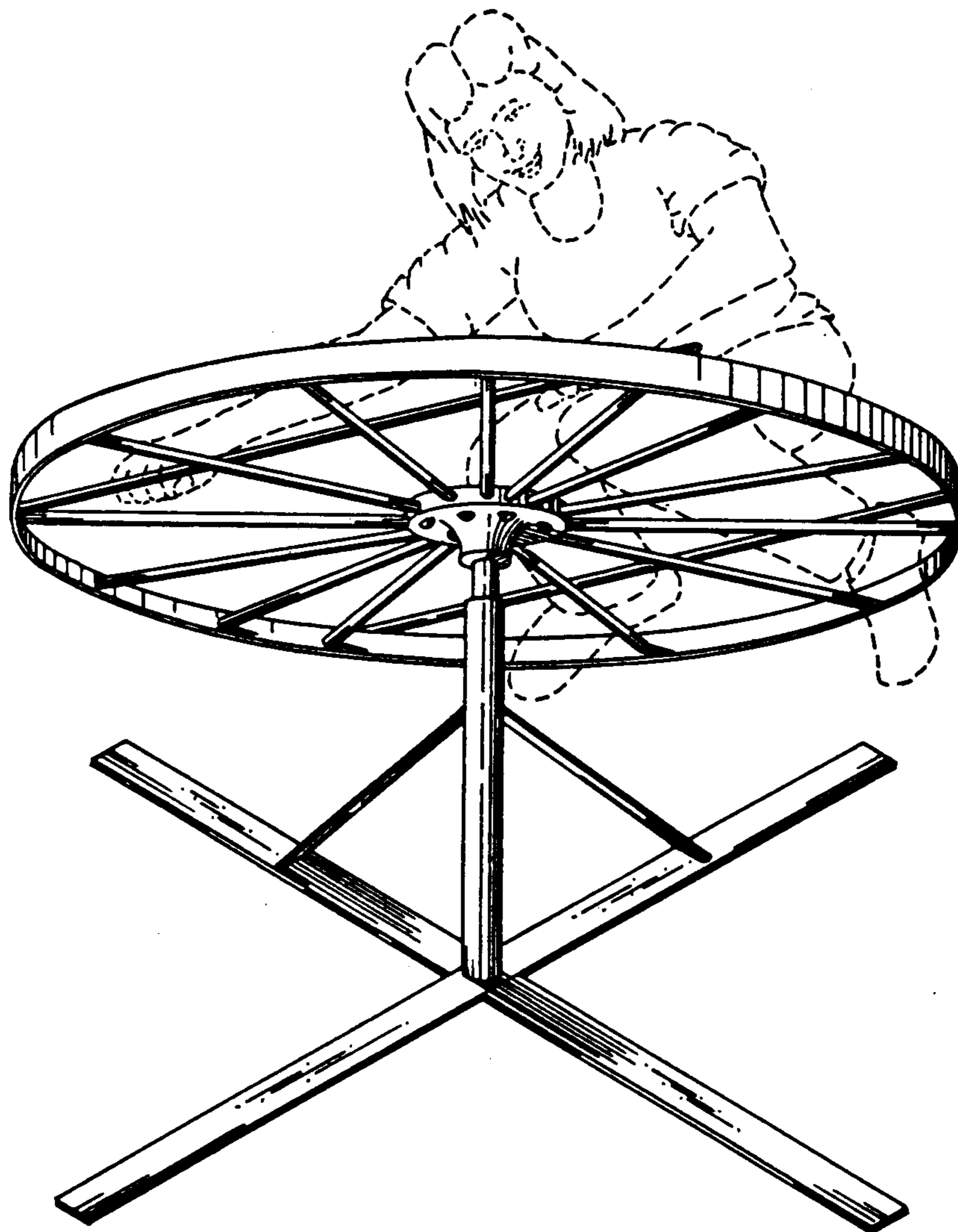
FIG. 1 is a perspective view of a roundabout amusement ride showing my new design;  
FIG. 2 is a top plan view thereof;  
FIG. 3 is a right side elevation view thereof;  
FIG. 4 is a bottom plan view thereof;  
FIG. 5 is a left side elevation view thereof;  
FIG. 6 is a rear elevation view thereof; and  
FIG. 7 is a front elevation view.

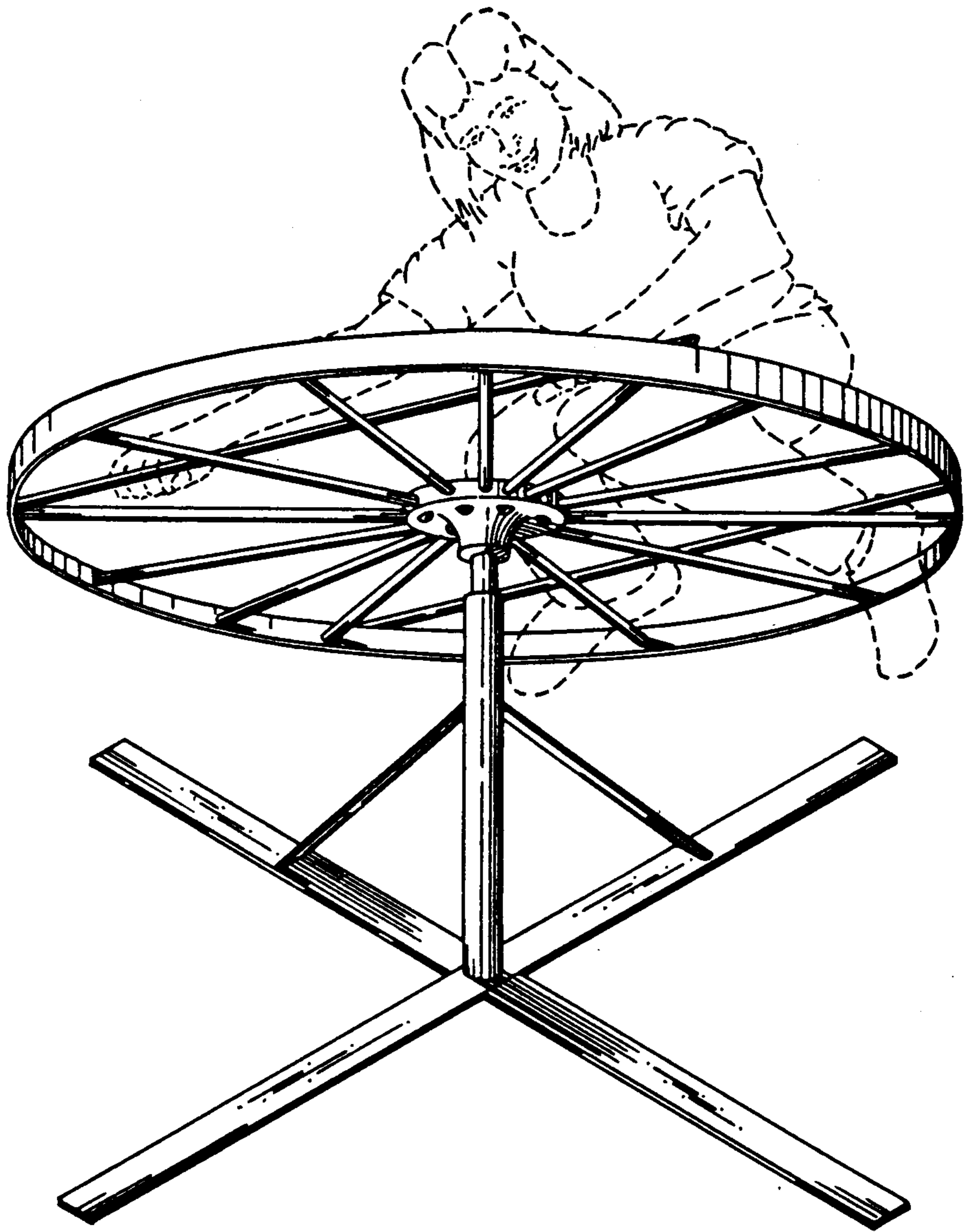
The broken line showing of the person in FIG. 1 is for illustrative purposes only and forms no part of the claimed design.

[56] **References Cited**

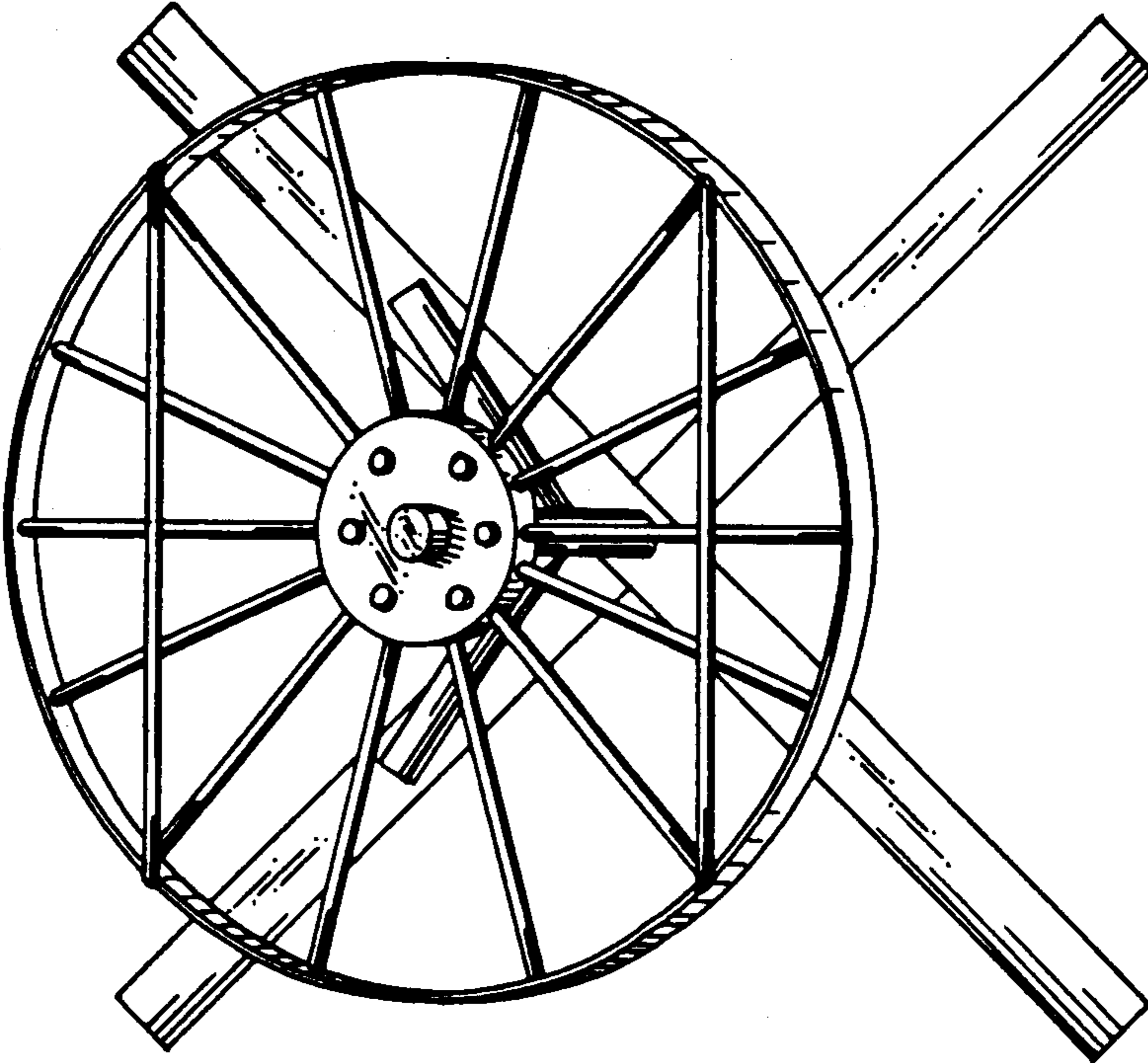
**U.S. PATENT DOCUMENTS**

1,916,809	7/1933	Patterson	.....	D21/242
2,467,338	4/1949	Sellards	.....	272/51
2,646,281	7/1953	Hurst	.....	272/40
3,073,595	1/1963	Jones	.....	272/33 R
3,510,127	5/1970	Wormser	.....	272/33 R

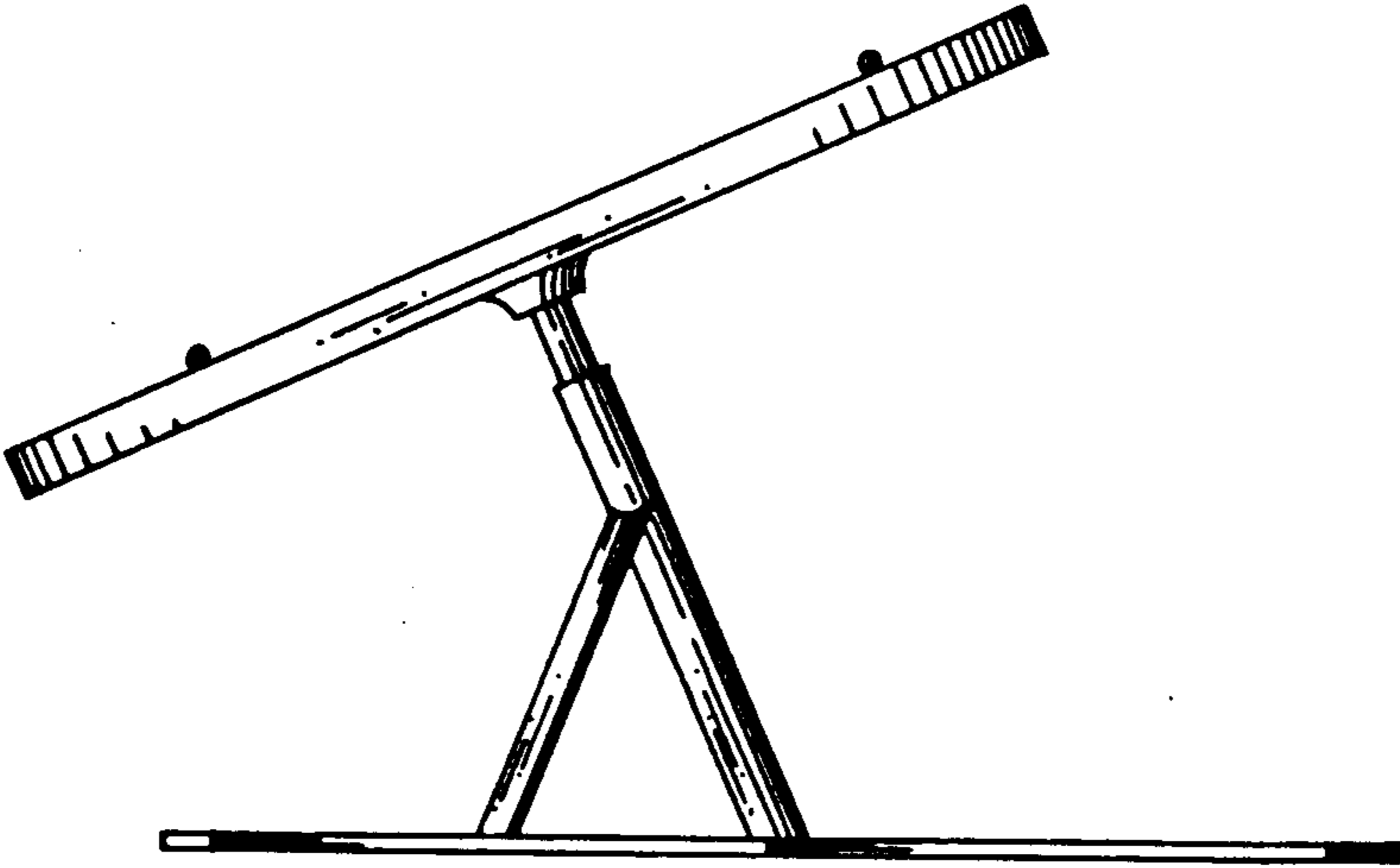




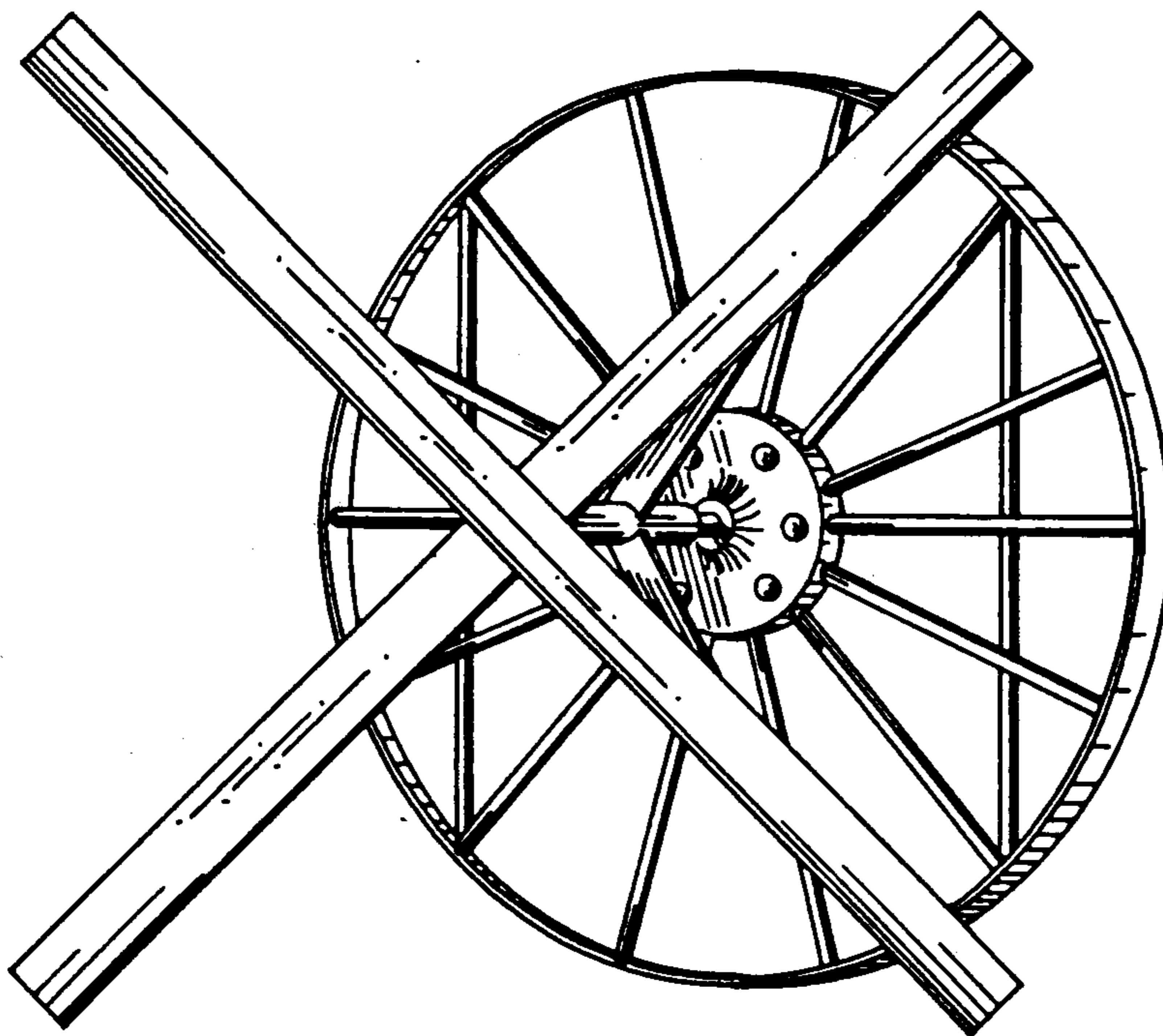
*Fig. 1*



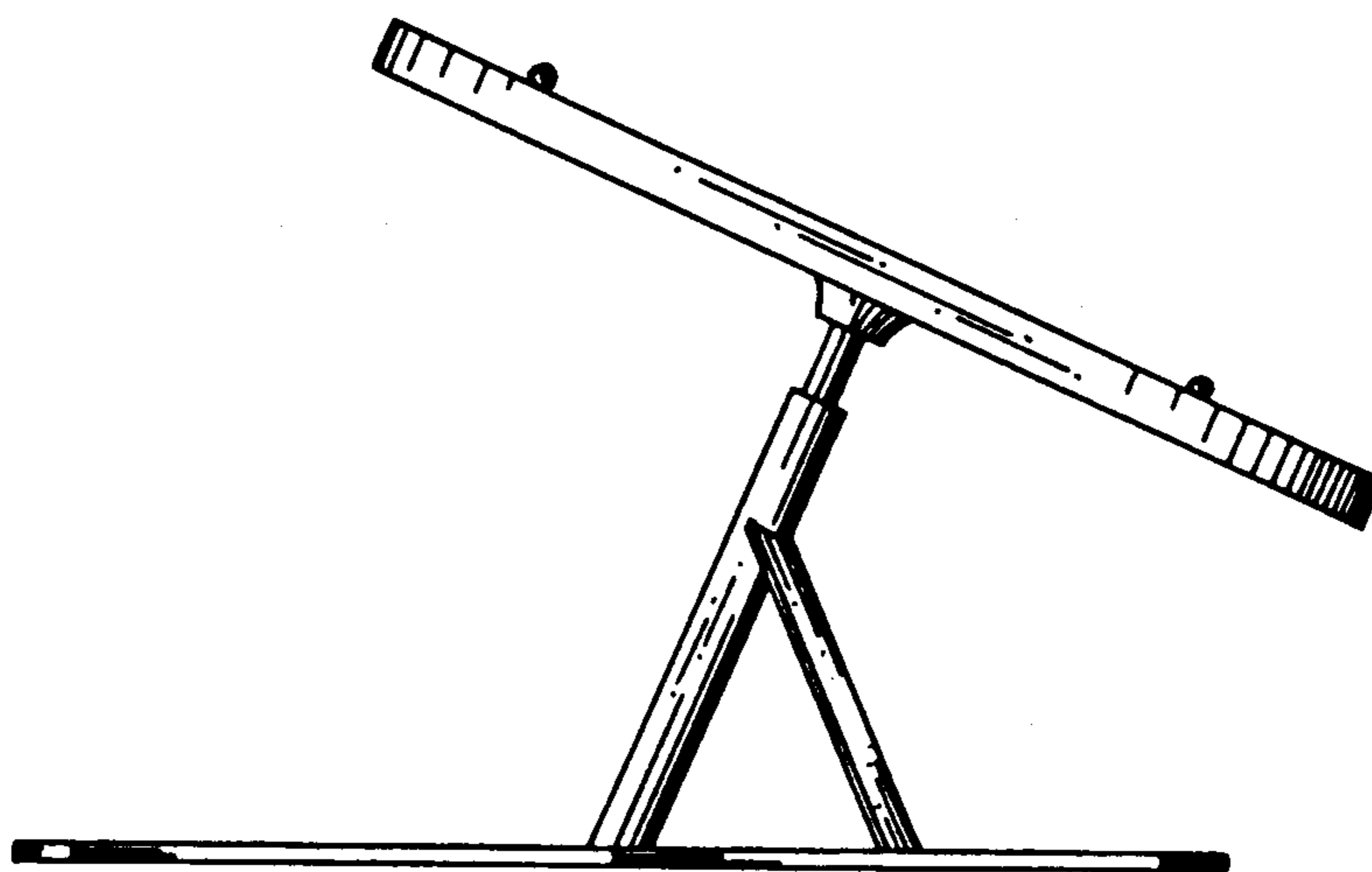
*Fig. 2*



*Fig. 3*



*Fig. 4*



*Fig. 5*

Fig. 6

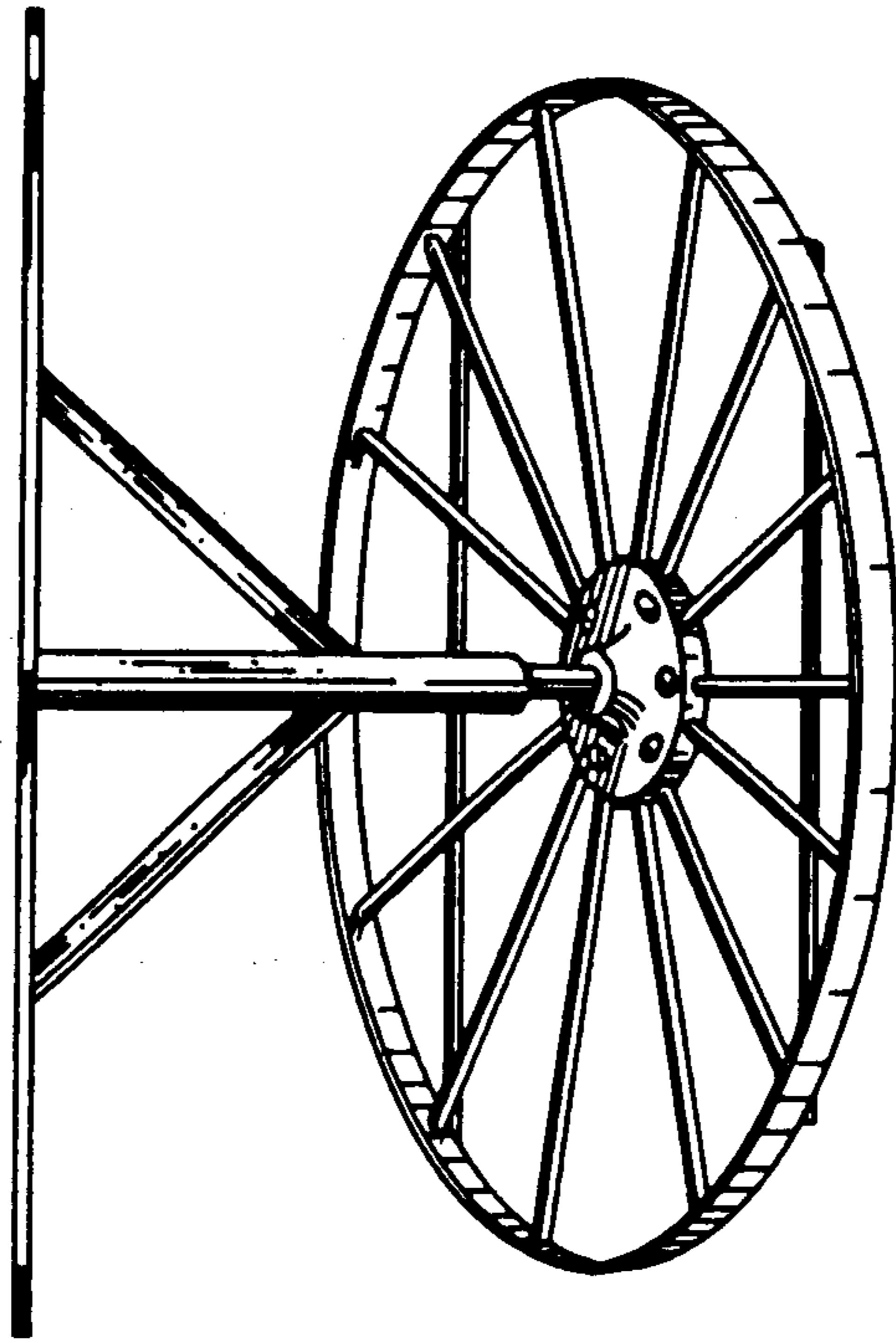


Fig. 7

