

[54] CYCLE EXERCISER

4,796,882 1/1989 Jimur ..... 272/73

[76] Inventor: Yuan H. Lo, No. 8-1, Tou Chien St., Kan Kou Tsun, Lu Chu Hsiang, Tao-Yuan Hsien, Taiwan

OTHER PUBLICATIONS

American Express Merchandise Cat. 10-1986, p. 44, Marcy ®Exerciser.

[\*\*] Term: 14 Years

Primary Examiner—Charles A. Rademaker  
Attorney, Agent, or Firm—Rogers, Howell & Haferkamp

[21] Appl. No.: 281,690

[57] CLAIM

[22] Filed: Dec. 9, 1988

The ornamental design for a cycle exerciser, as shown and described.

[52] U.S. Cl. .... D21/194

[58] Field of Search ..... D21/191-199;  
272/70.3, 73

DESCRIPTION

[56] References Cited

U.S. PATENT DOCUMENTS

D. 298,641	11/1988	Sheltra	.....	D21/194
D. 300,047	2/1989	Sheltra	.....	D21/194
D. 305,677	1/1990	Beistergui	.....	D21/194
D. 308,085	5/1990	Alberta	.....	D21/194
2,484,153	10/1949	Chaudoir	.....	D21/194
4,717,146	1/1988	Nohara	.....	272/73

FIG. 1 is a perspective view of a cycle exerciser in showing my new design;

FIG. 2 is a front elevational view thereof;

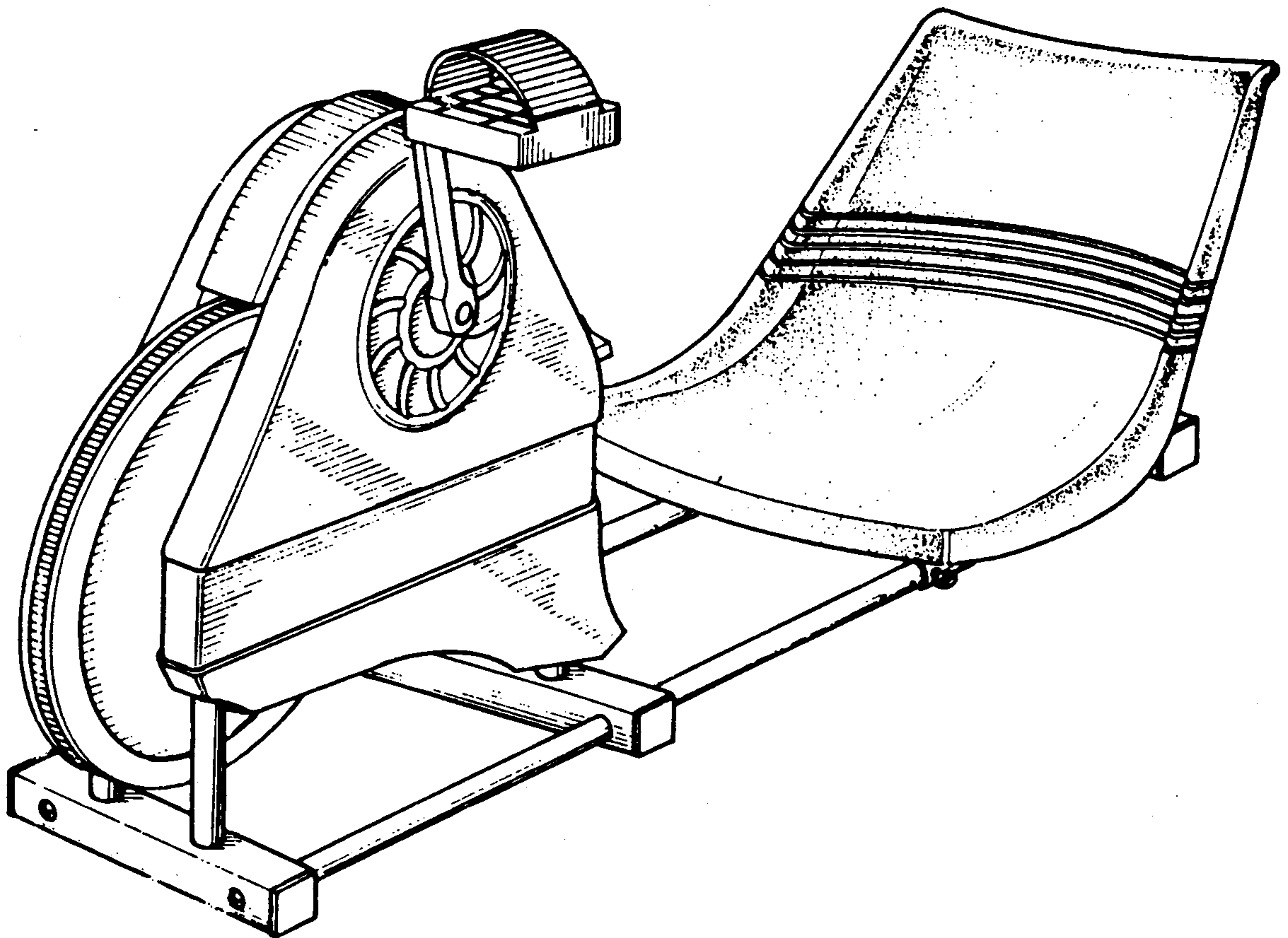
FIG. 3 is a rear elevational view thereof;

FIG. 4 is a top plan view thereof;

FIG. 5 is a bottom plan view thereof;

FIG. 6 is a left side elevational view thereof; and

FIG. 7 is a right side elevational view thereof.



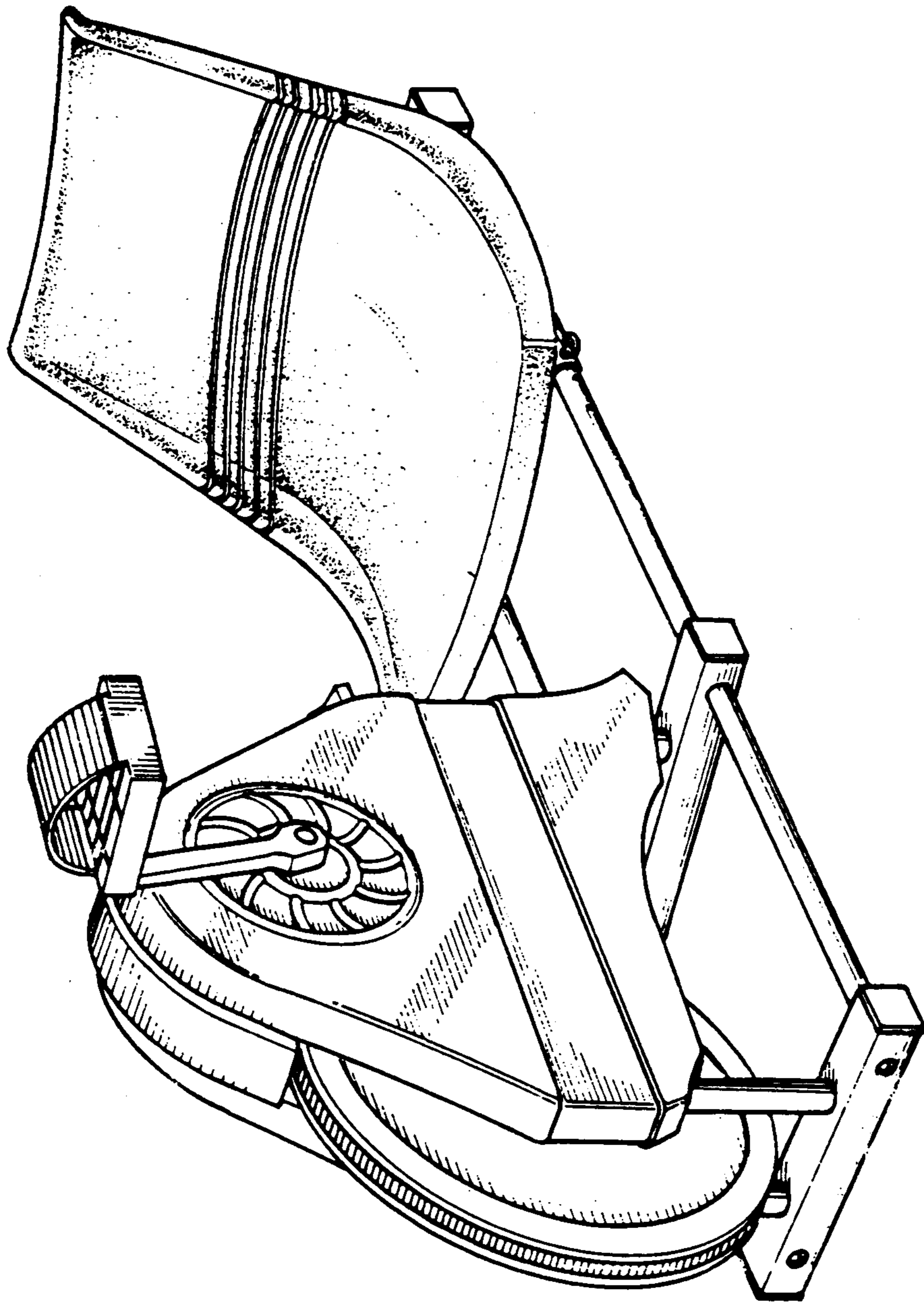


FIG. 1

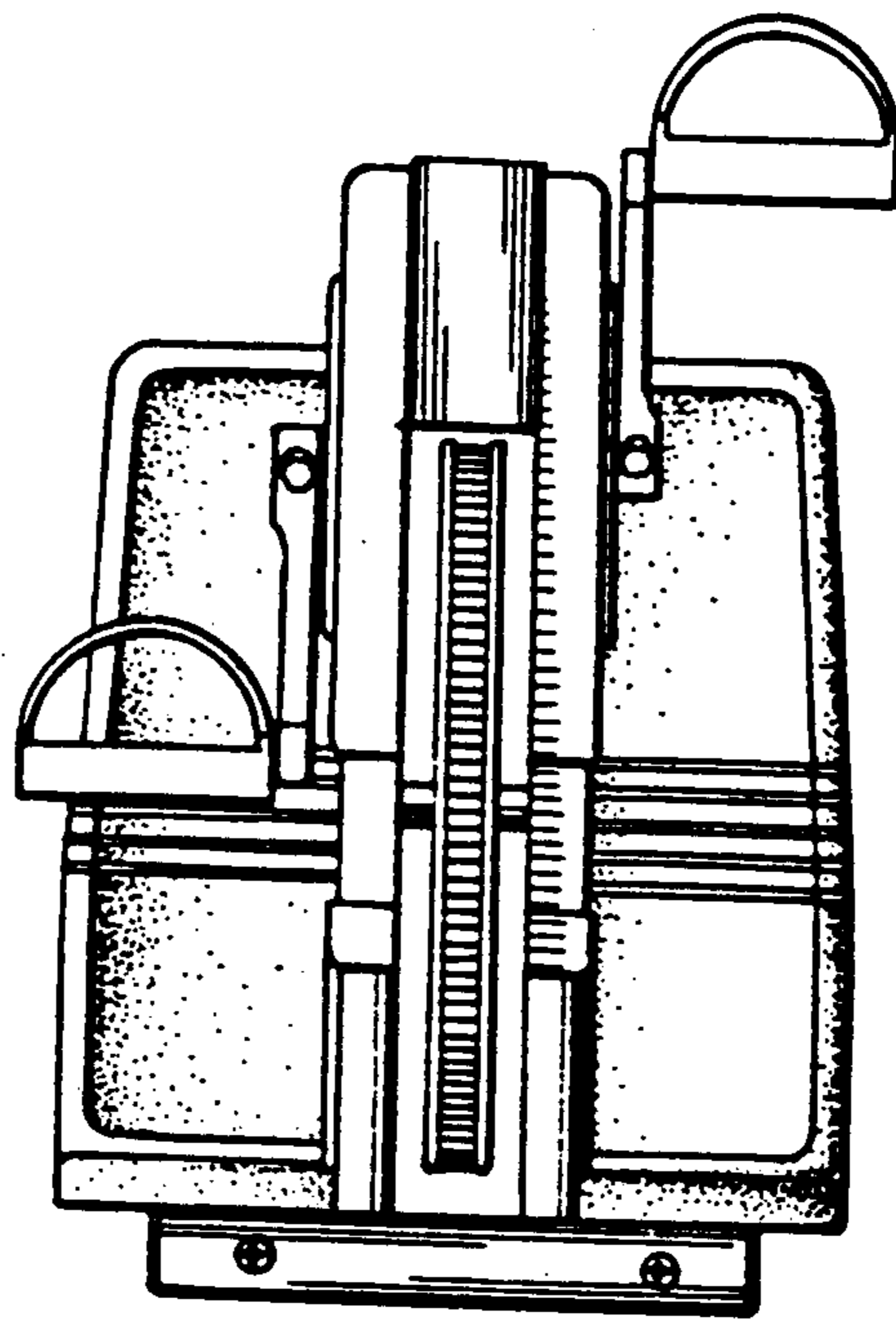


FIG. 2

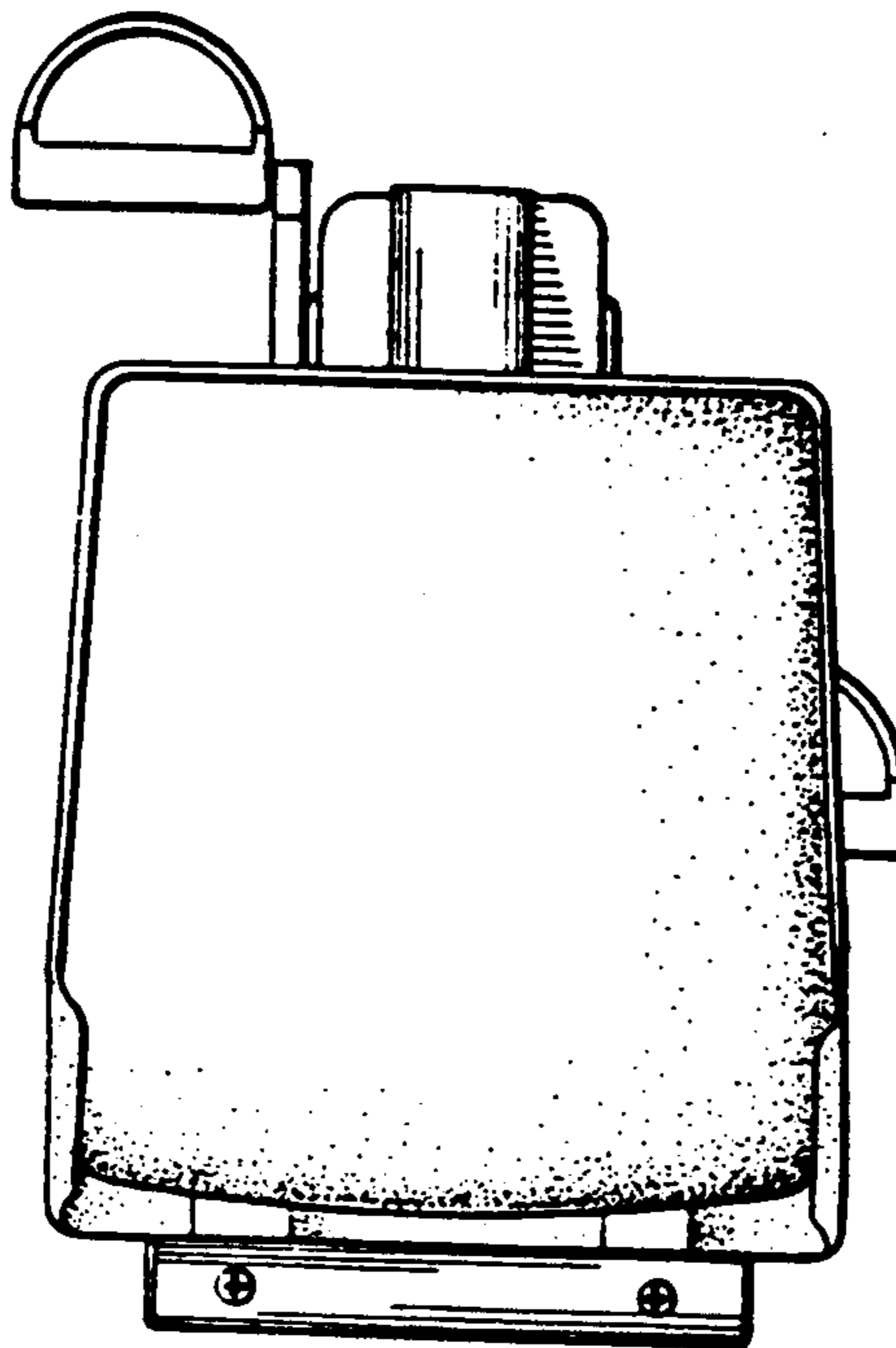


FIG. 3

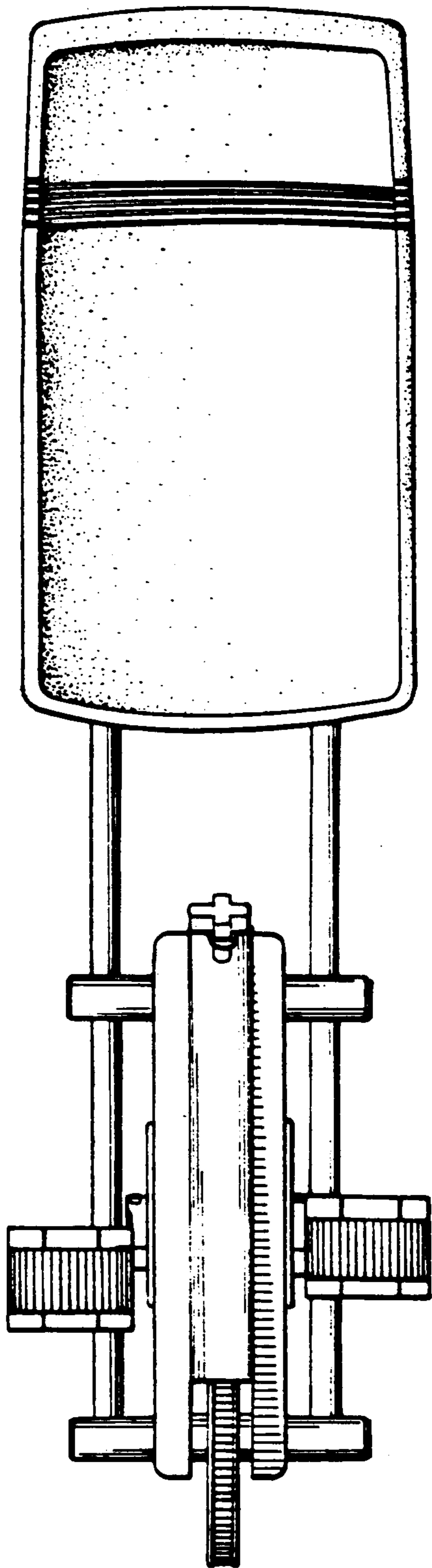


FIG. 4

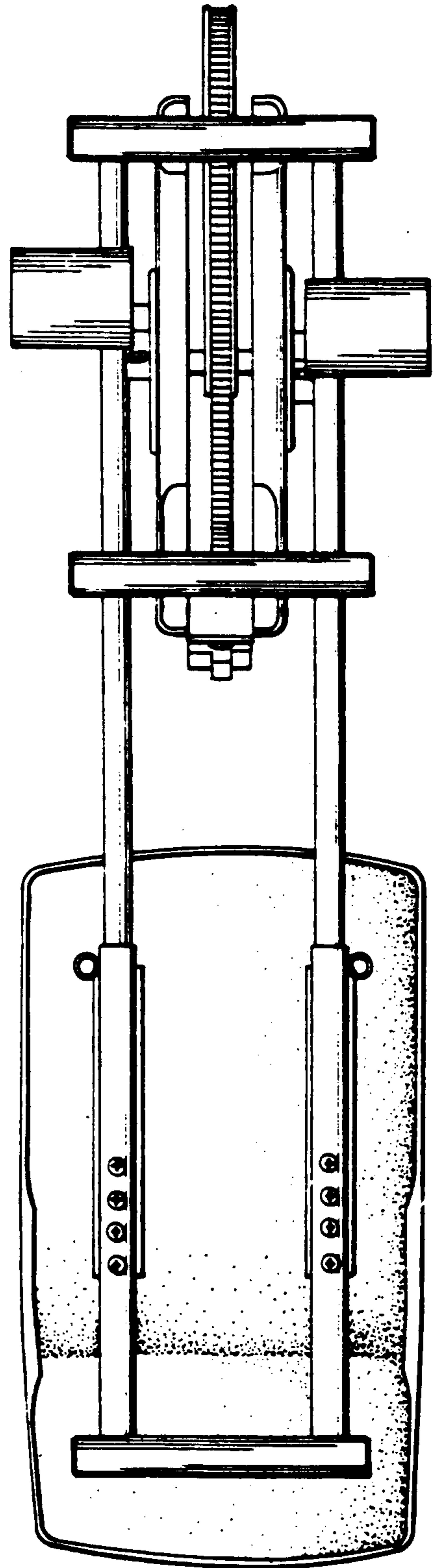


FIG. 5

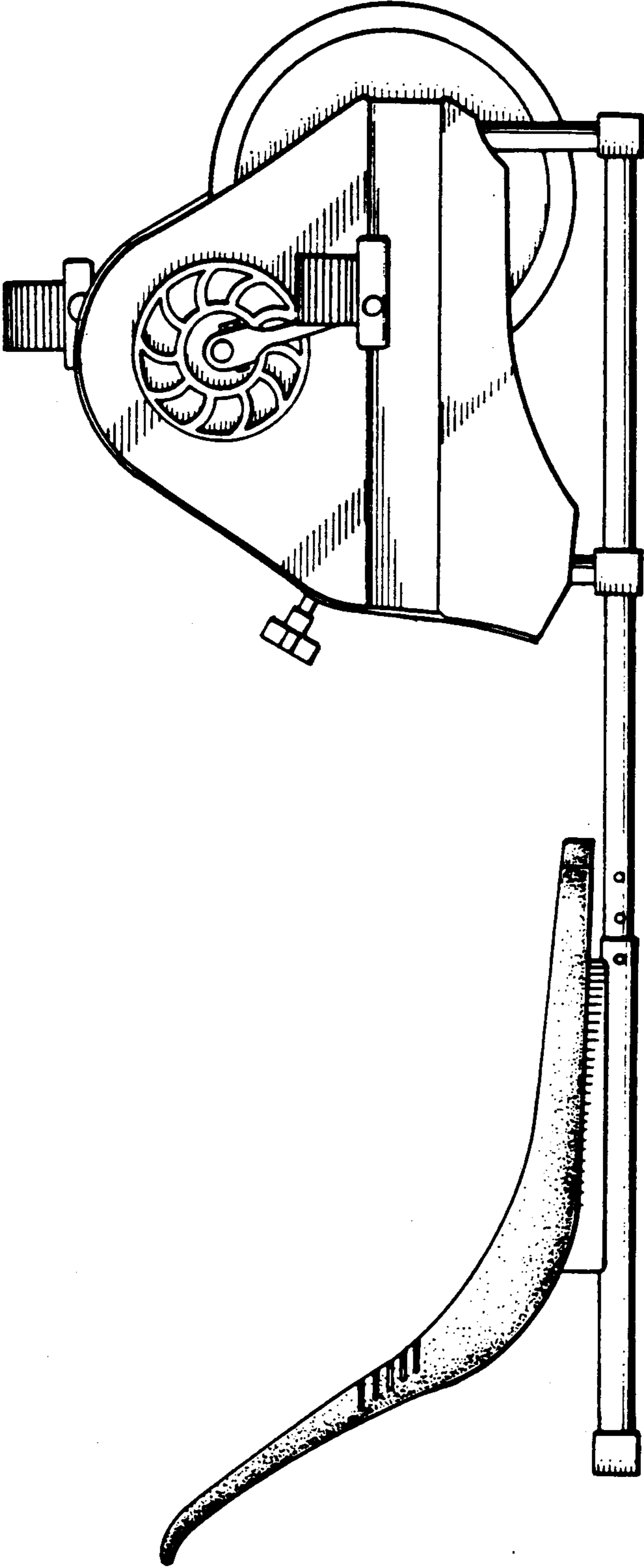


FIG. 6

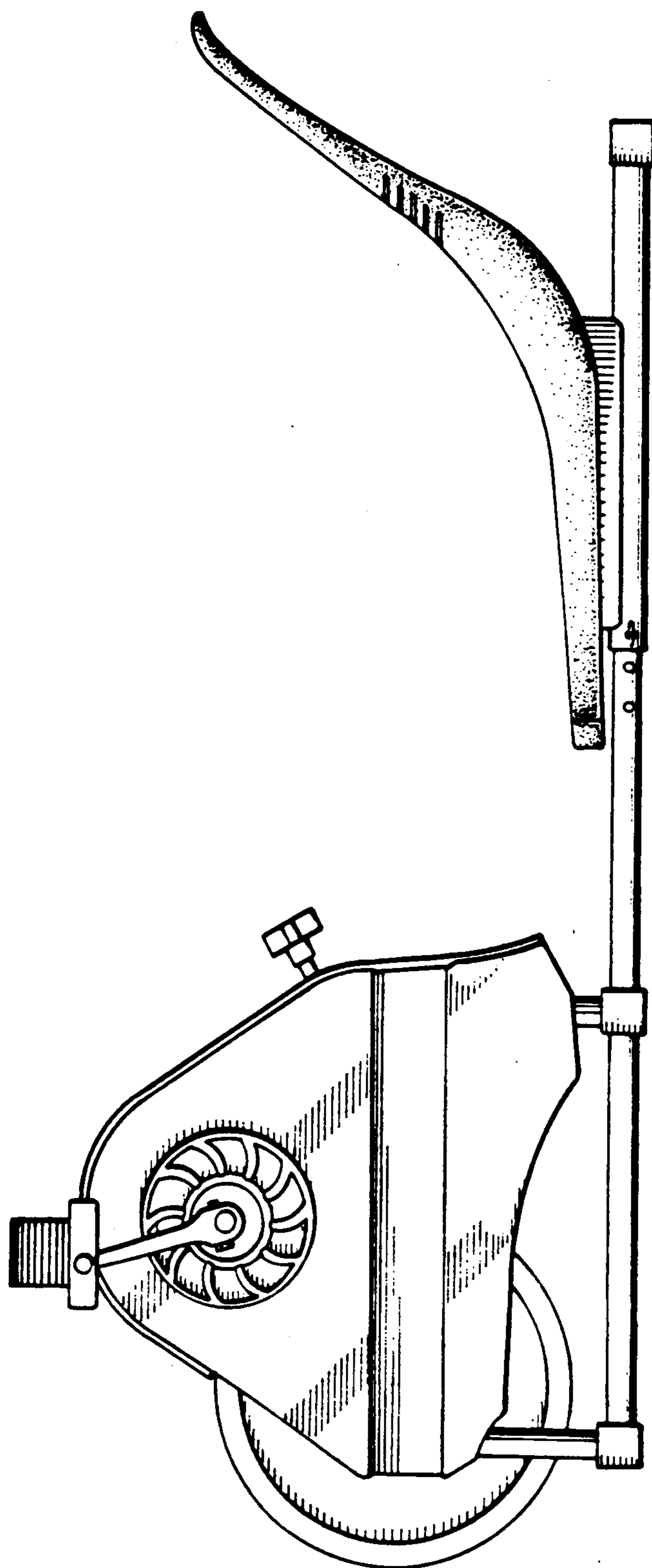


FIG. 7