

[54] SWIMMER EXERCISE MACHINE
[76] Inventor: Joseph A. Sally, 1425 Cherokee St.,
Los Angeles, Calif. 90046
[**] Term: 14 Years
[21] Appl. No.: 225,487
[22] Filed: Jul. 28, 1988
[52] U.S. Cl. D21/191
[58] Field of Search D21/191, 193; 272/70.3,
272/71, 130, 134

4,948,119 8/1990 Robertson, Jr. 272/71

Primary Examiner—Terry A. Pfeffer

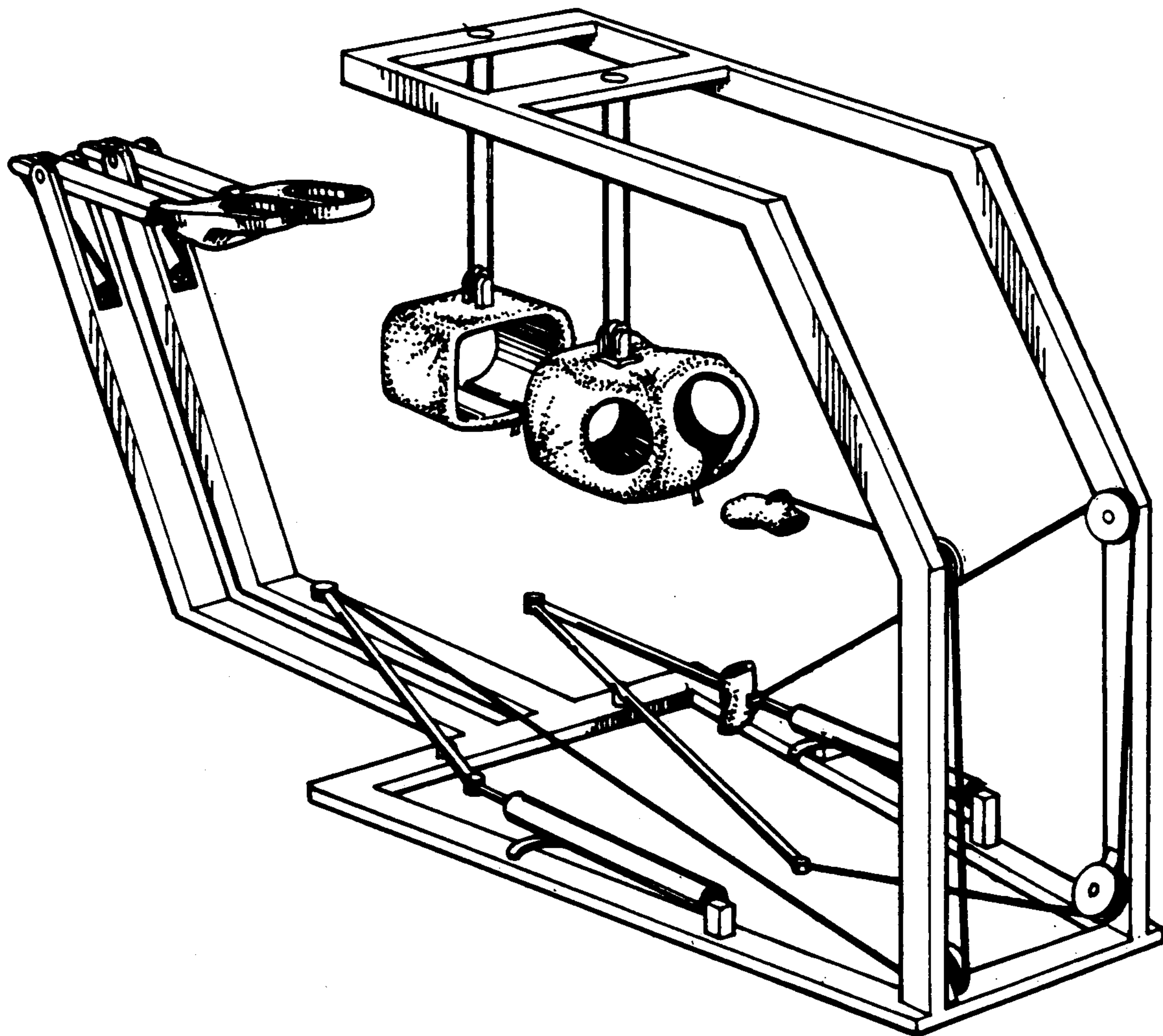
[57] CLAIM

The ornamental design for the swimmer exercise machine, as shown and described.

DESCRIPTION

FIG. 1 is a perspective view of a swimmer exercise machine showing my new design;
FIG. 2 is a right side elevational view thereof;
FIG. 3 is a left side elevational view thereof;
FIG. 4 is a front elevational view thereof;
FIG. 5 is a rear elevational view thereof;
FIG. 6 is a top plan view thereof;
FIG. 7 is a bottom plan view thereof;

[56] References Cited
U.S. PATENT DOCUMENTS
2,434,542 1/1948 Borroughs 272/71
4,830,363 5/1989 Kennedy 272/71



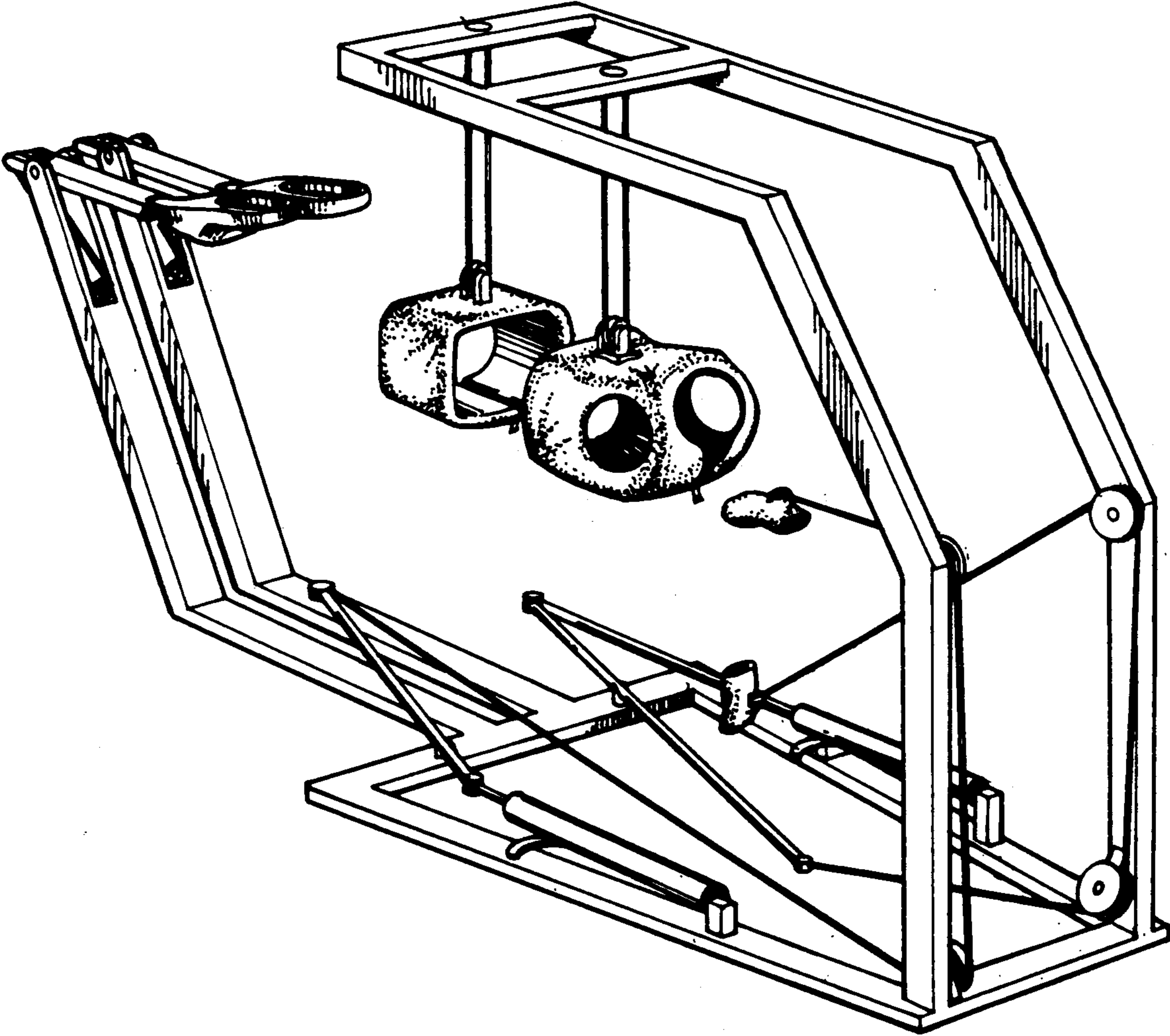


FIG. 1

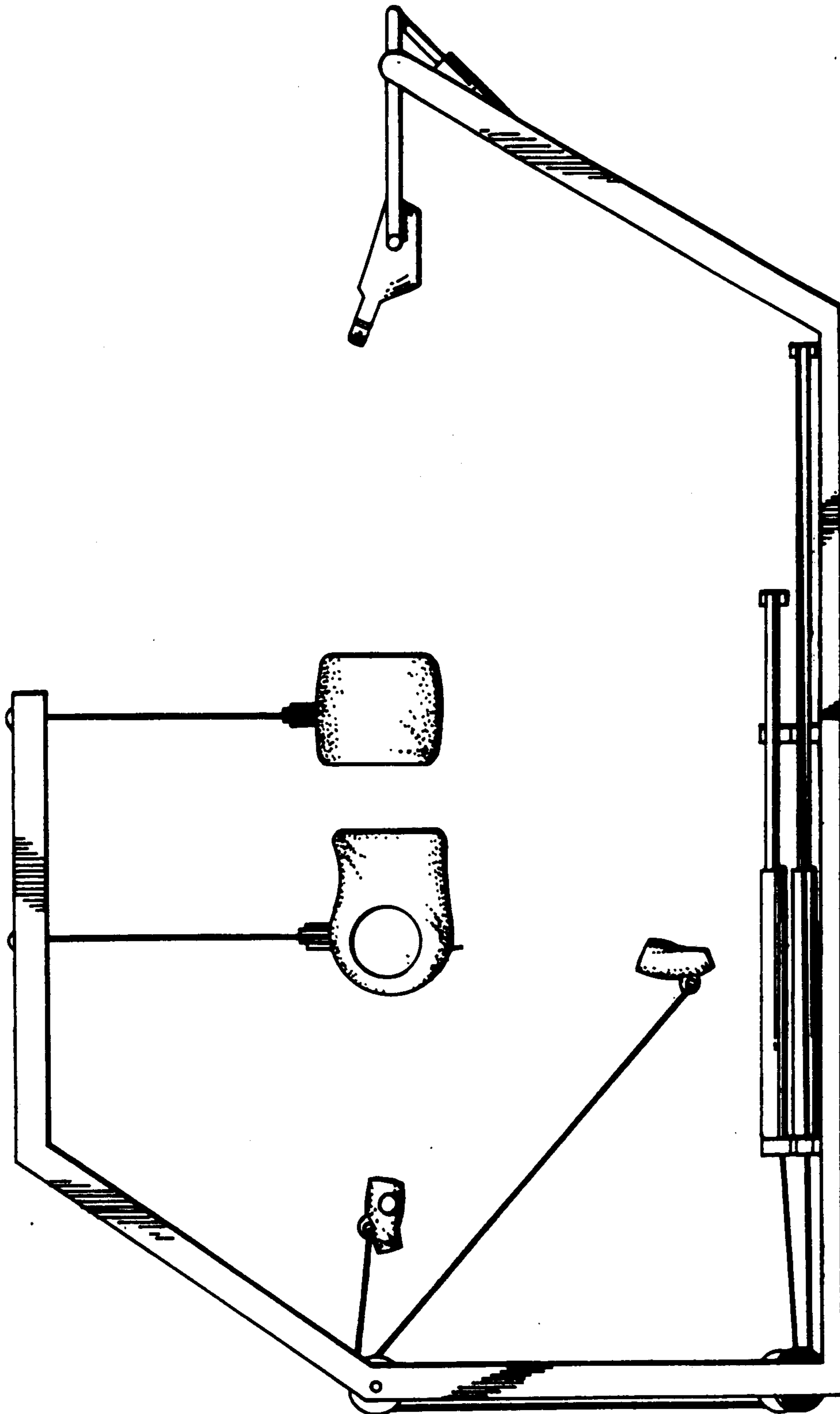


FIG. 2

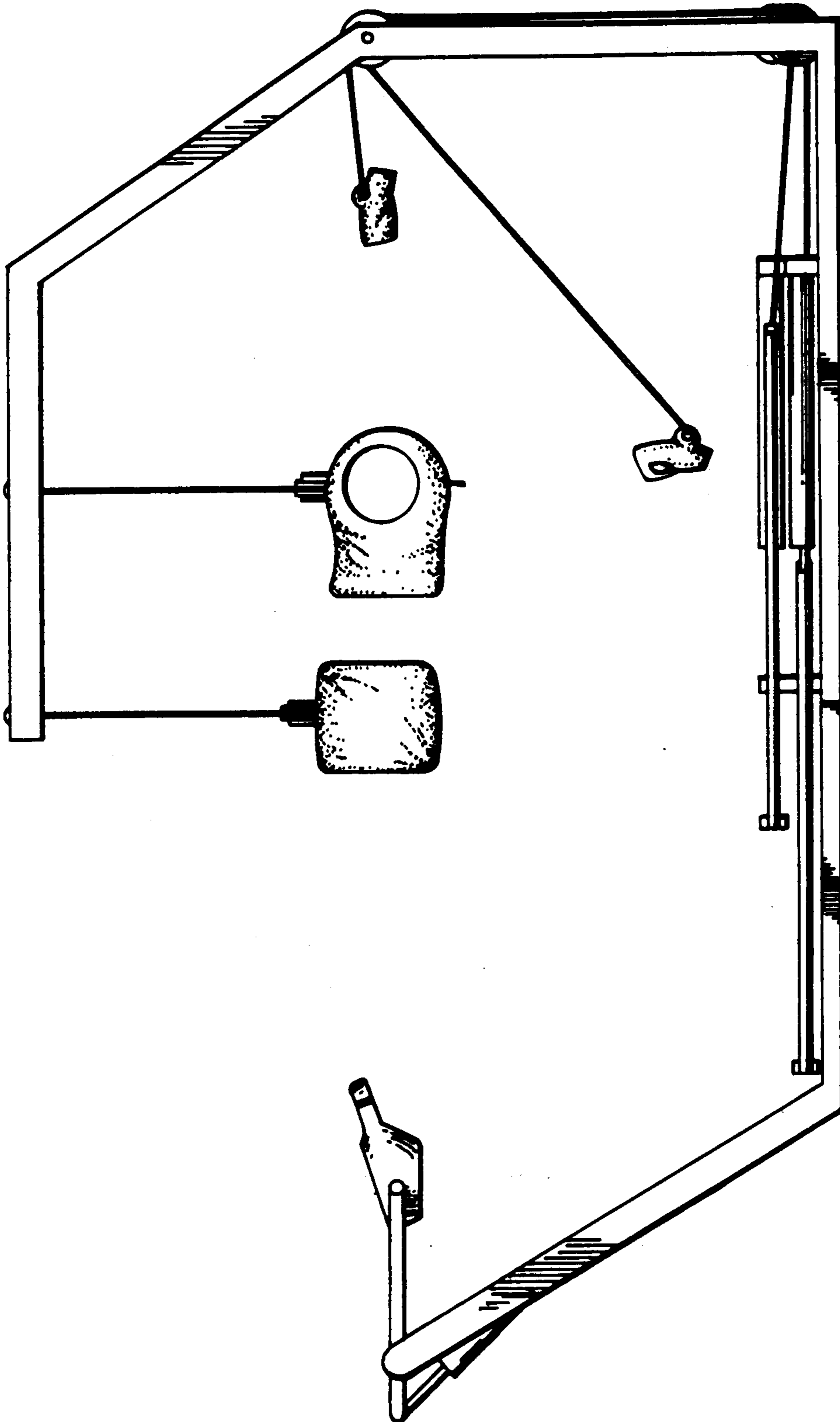


FIG. 3

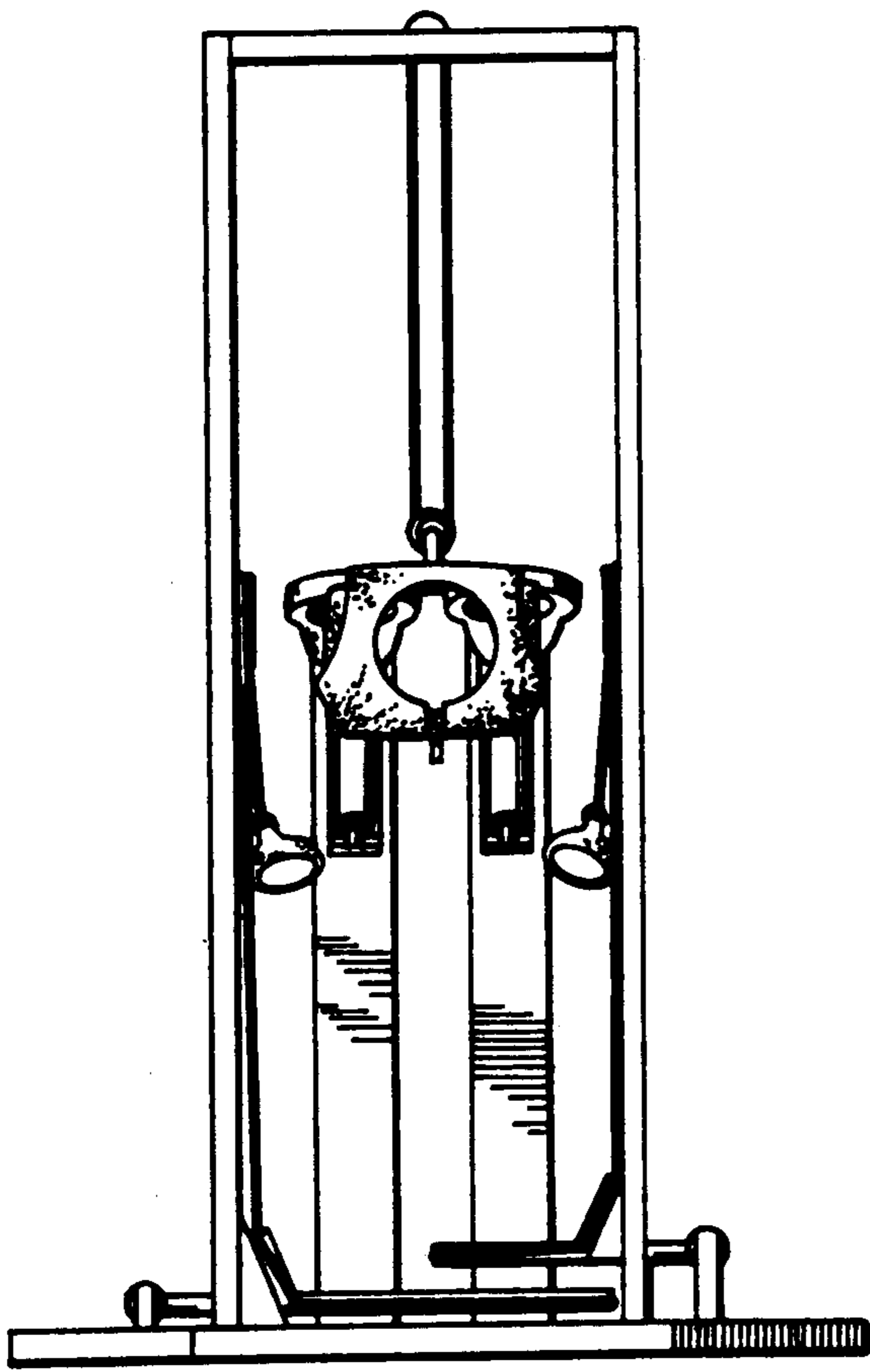


FIG. 4

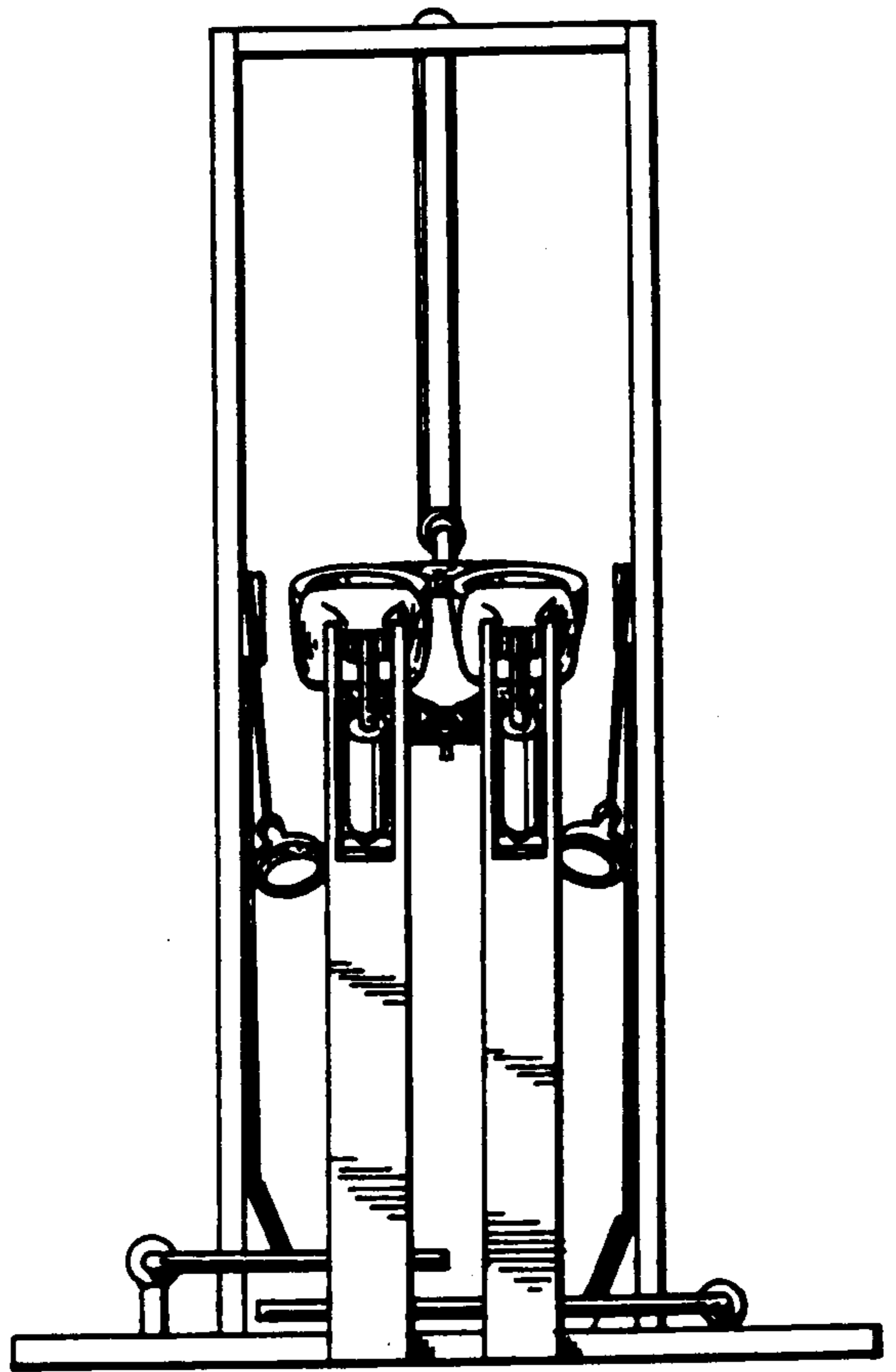


FIG. 5

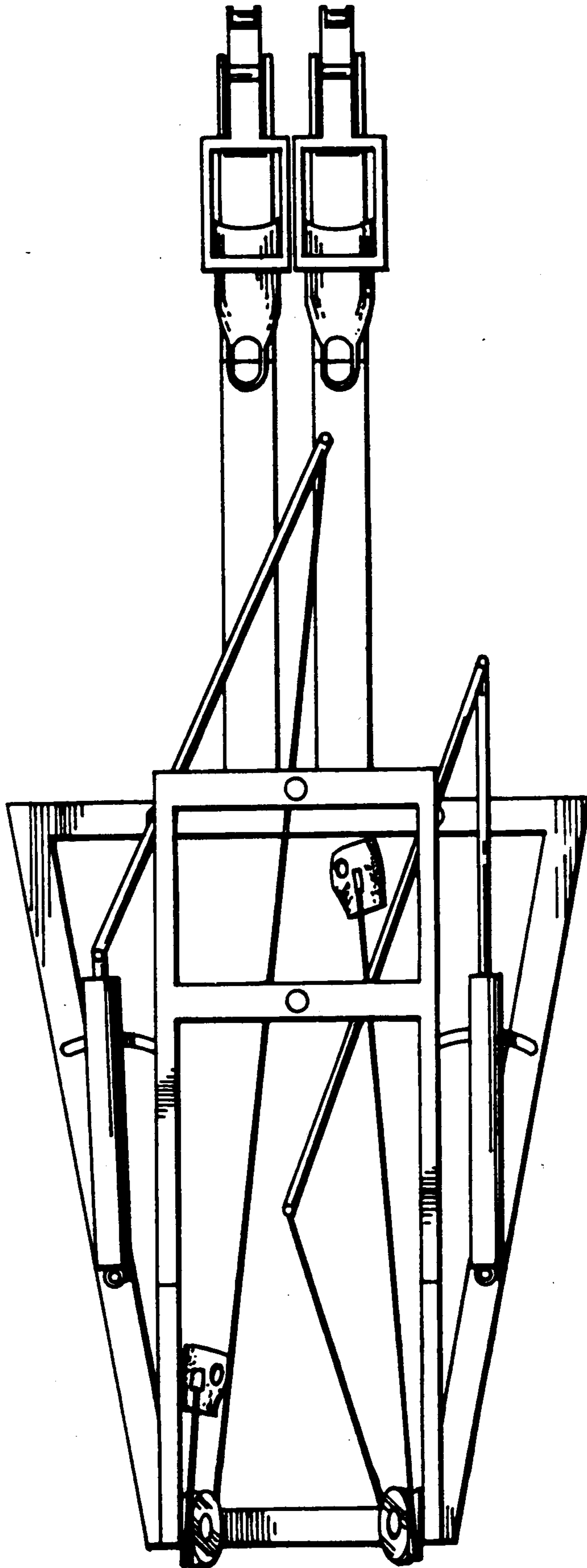


FIG. 6

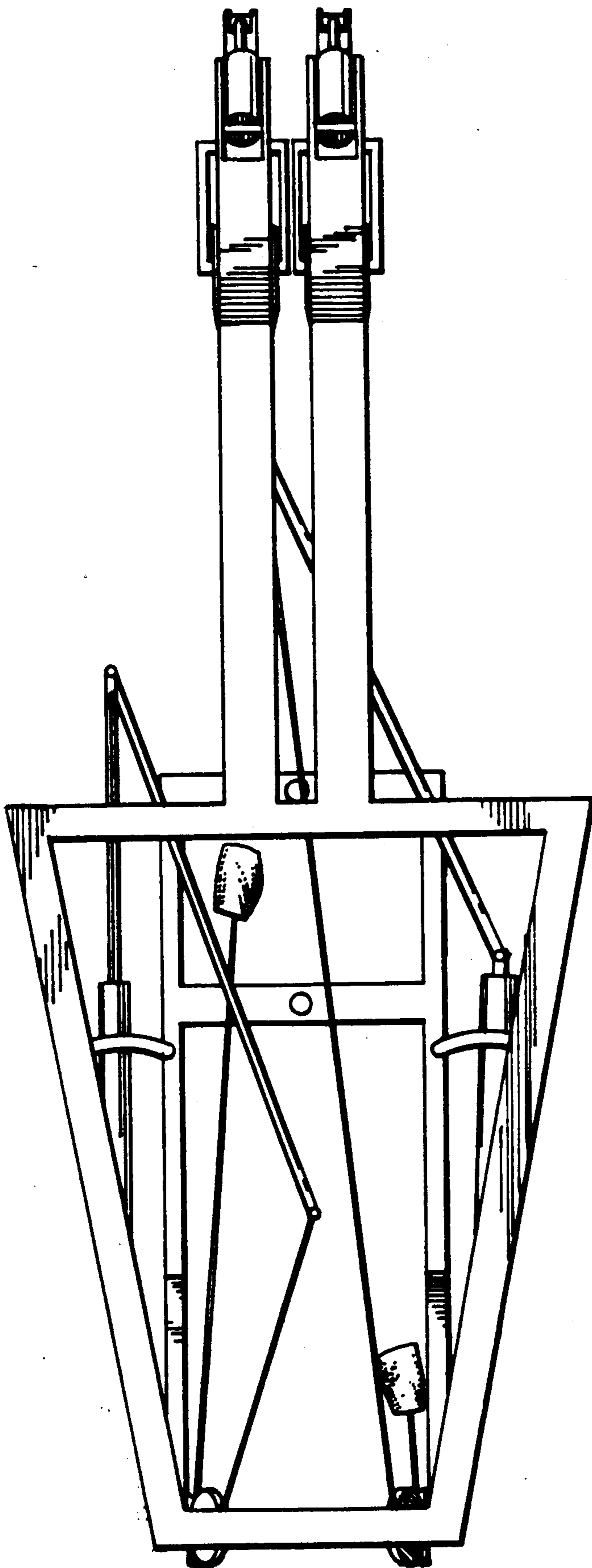


FIG. 7