

[54] JOYSTICK FOR ELECTRONIC GAMES

[76] Inventors: Donald P. Shulman; Betty A. Shulman, both of 440 Brentwood Dr., Piscataway, N.J. 08854

[**] Term: 14 Years

[21] Appl. No.: 294,801

[22] Filed: Jan. 9, 1989

[52] U.S. Cl. D21/48

[58] Field of Search D21/48, 13, 142; D19/63; 446/7; 273/148 B, DIG. 28

[56] References Cited

U.S. PATENT DOCUMENTS

D. 250,665	12/1978	Jang	D19/63 X
D. 297,028	8/1988	McCann	D21/48
D. 305,048	12/1989	Moomaw	D21/142
4,494,754	1/1985	Wagner, Jr.	273/148 B
4,630,817	12/1986	Buckley	273/DIG. 28 X
4,976,429	12/1990	Nagel	273/DIG. 28 X

OTHER PUBLICATIONS

Hong Kong Toys, 1987, p. 217, top left of the page.

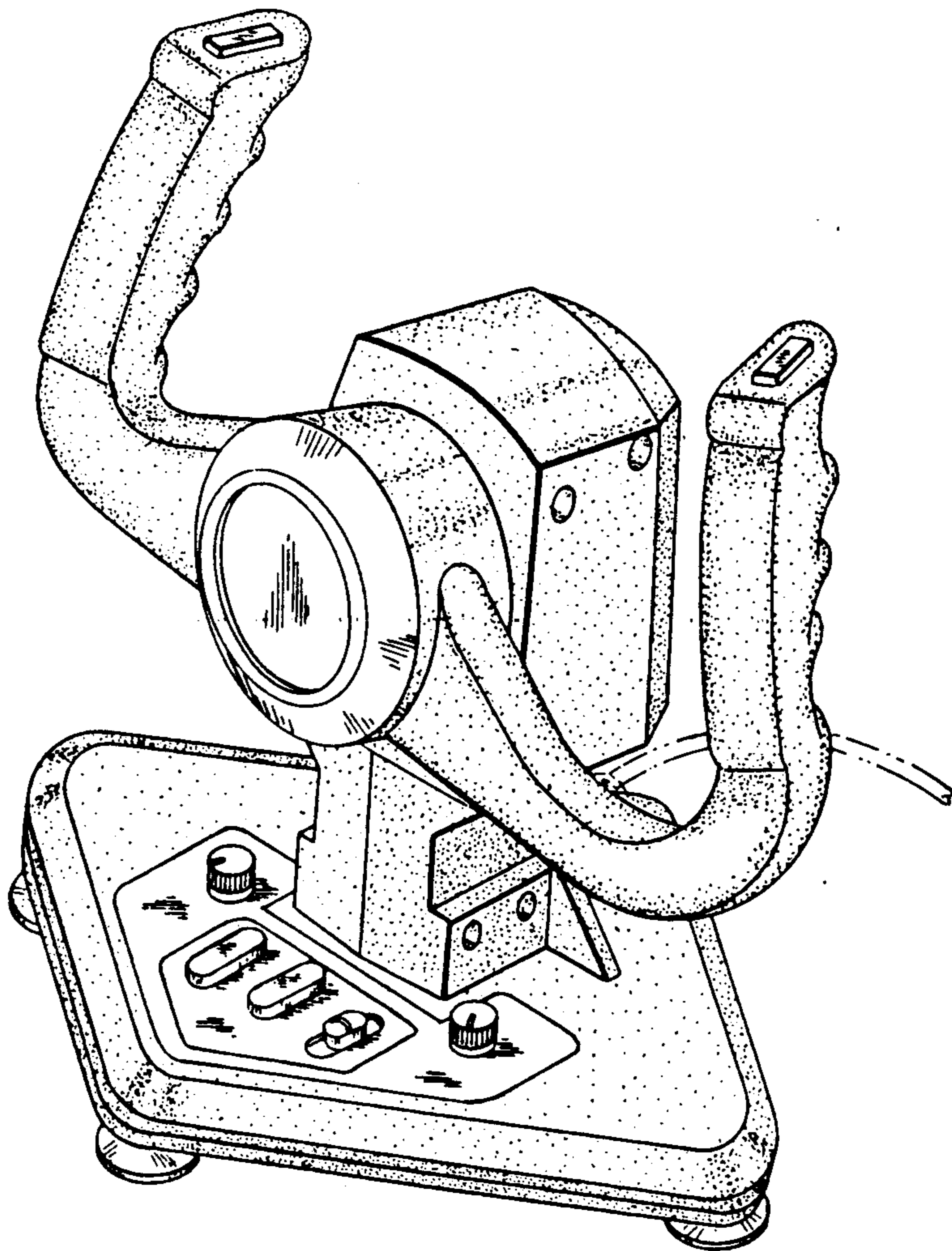
Primary Examiner—Bernard Ansher
Assistant Examiner—Prabhakar Deshmukh
Attorney, Agent, or Firm—Mathews, Woodbridge & Collins

[57] CLAIM

The ornamental design for a joystick for electronic games, as shown and described.

DESCRIPTION

FIG. 1 is a perspective view of a joystick for electronic games showing our new design; FIG. 2 is a top perspective view thereof; FIG. 3 is a bottom perspective view thereof; FIG. 4 is a front elevation thereof; FIG. 5 is a rear elevation thereof; FIG. 6 is a right side elevation thereof; and FIG. 7 is a left side elevation thereof. The phantom lines showing of an extension cord is for illustrative purposes only and forms no part of the claimed design.



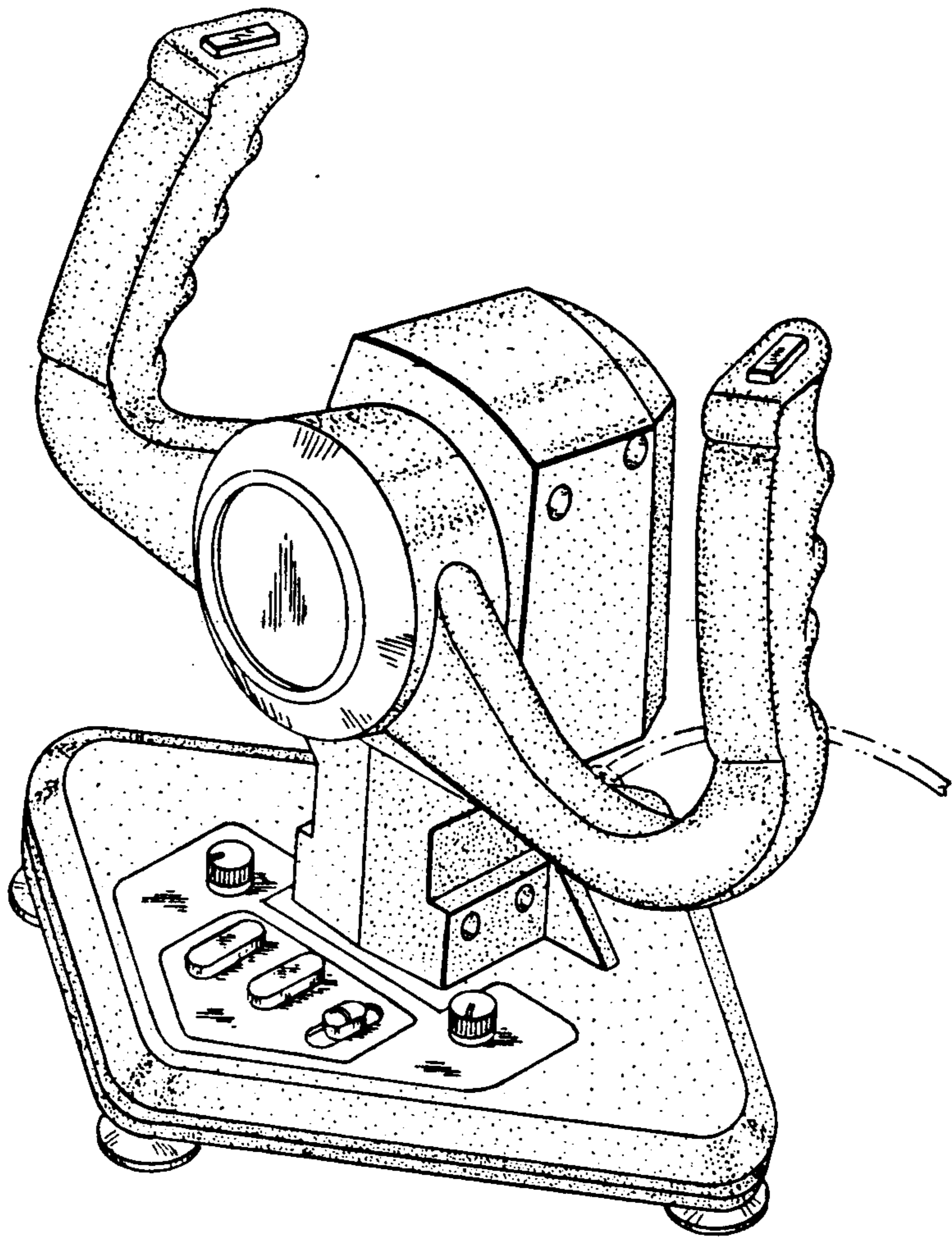


FIG. 1

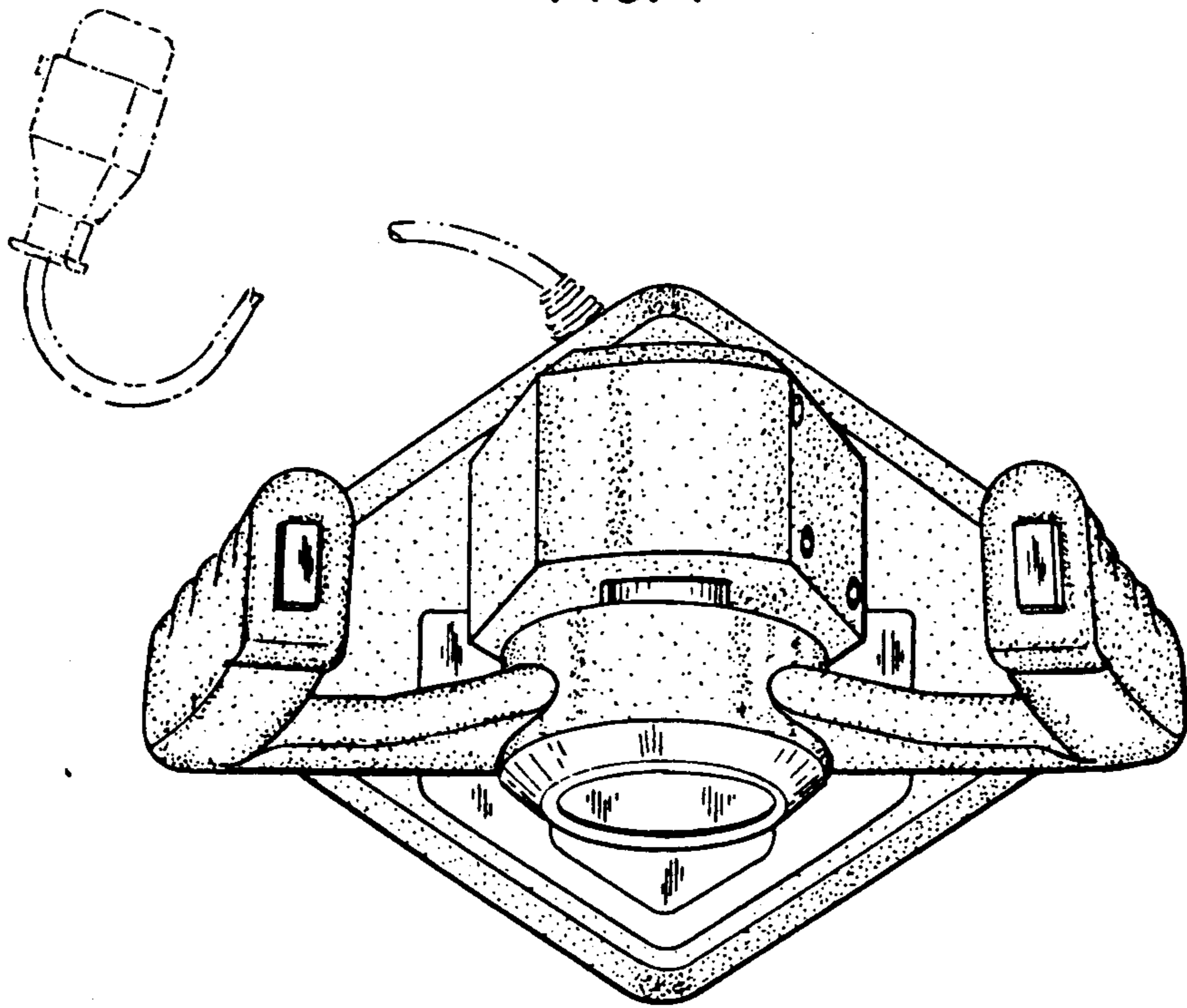


FIG. 2

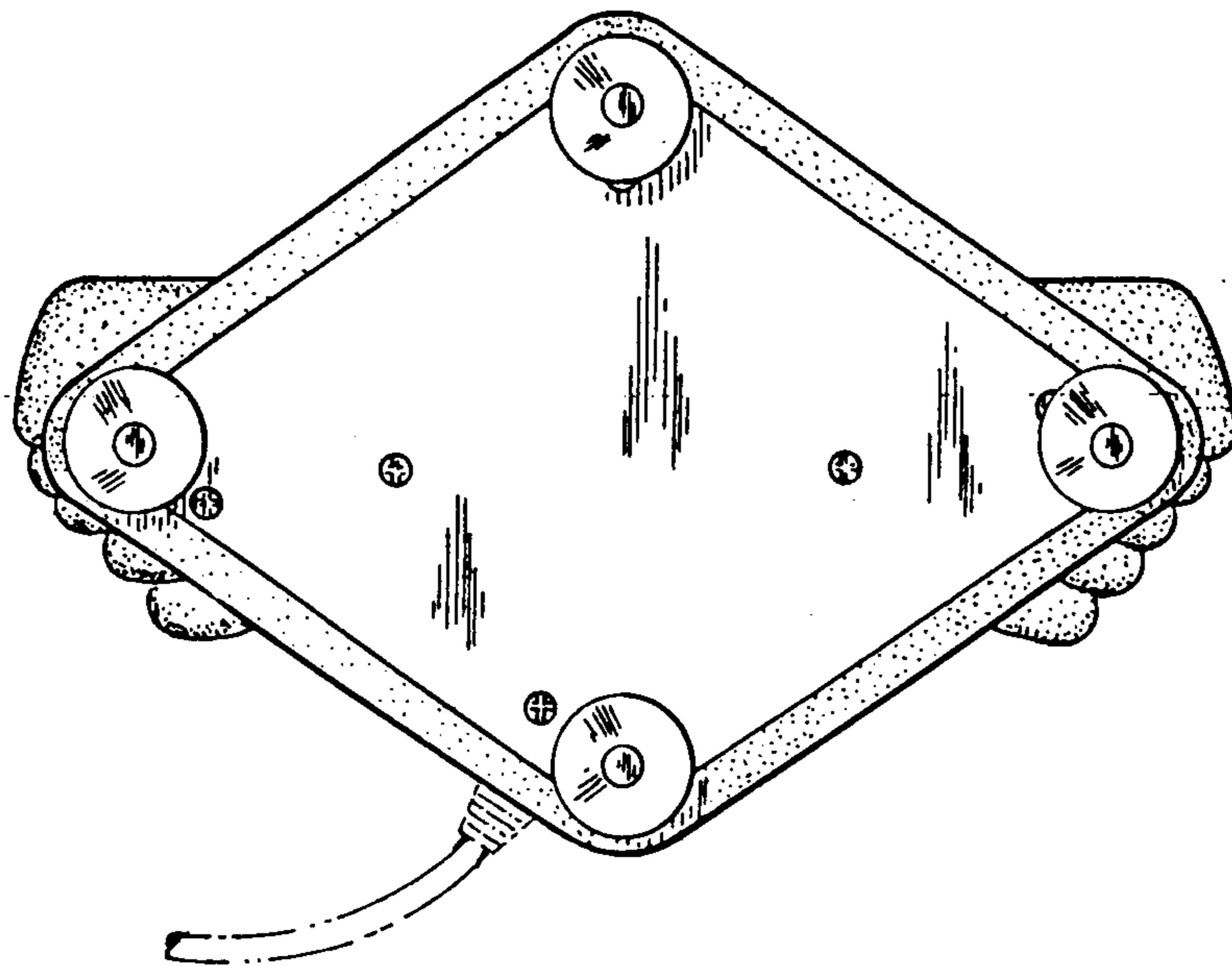


FIG. 3

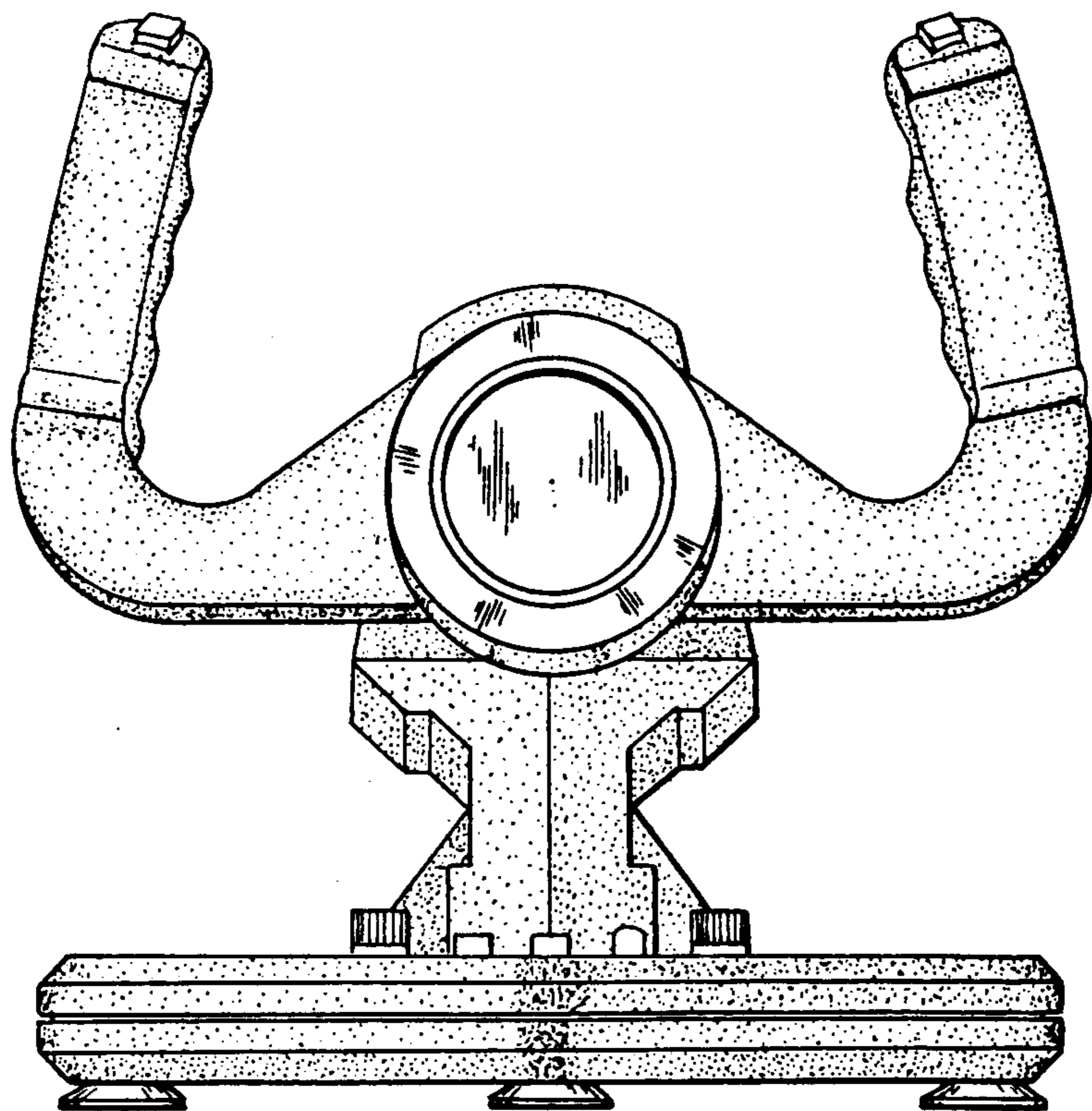


FIG. 4

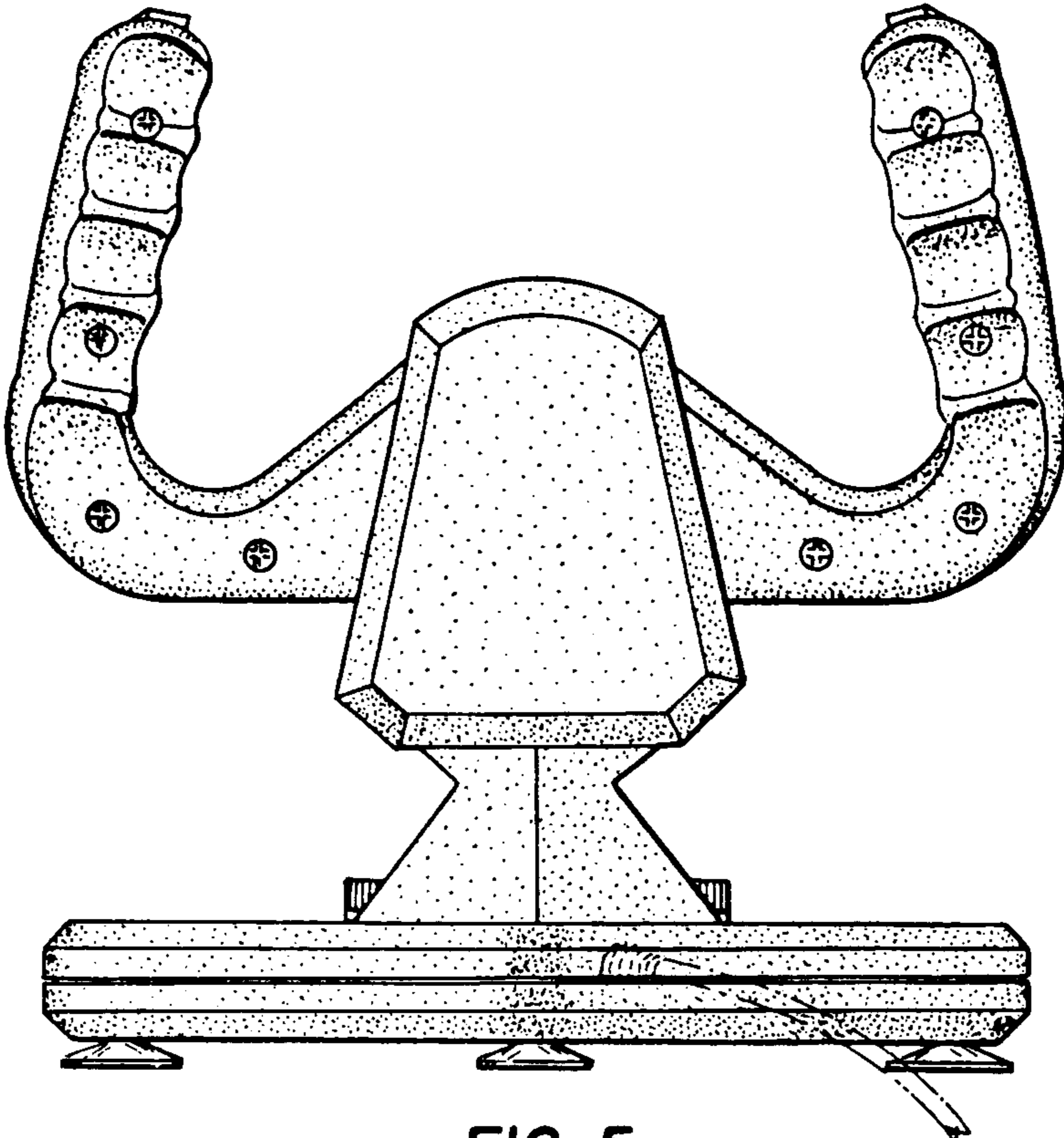


FIG. 5

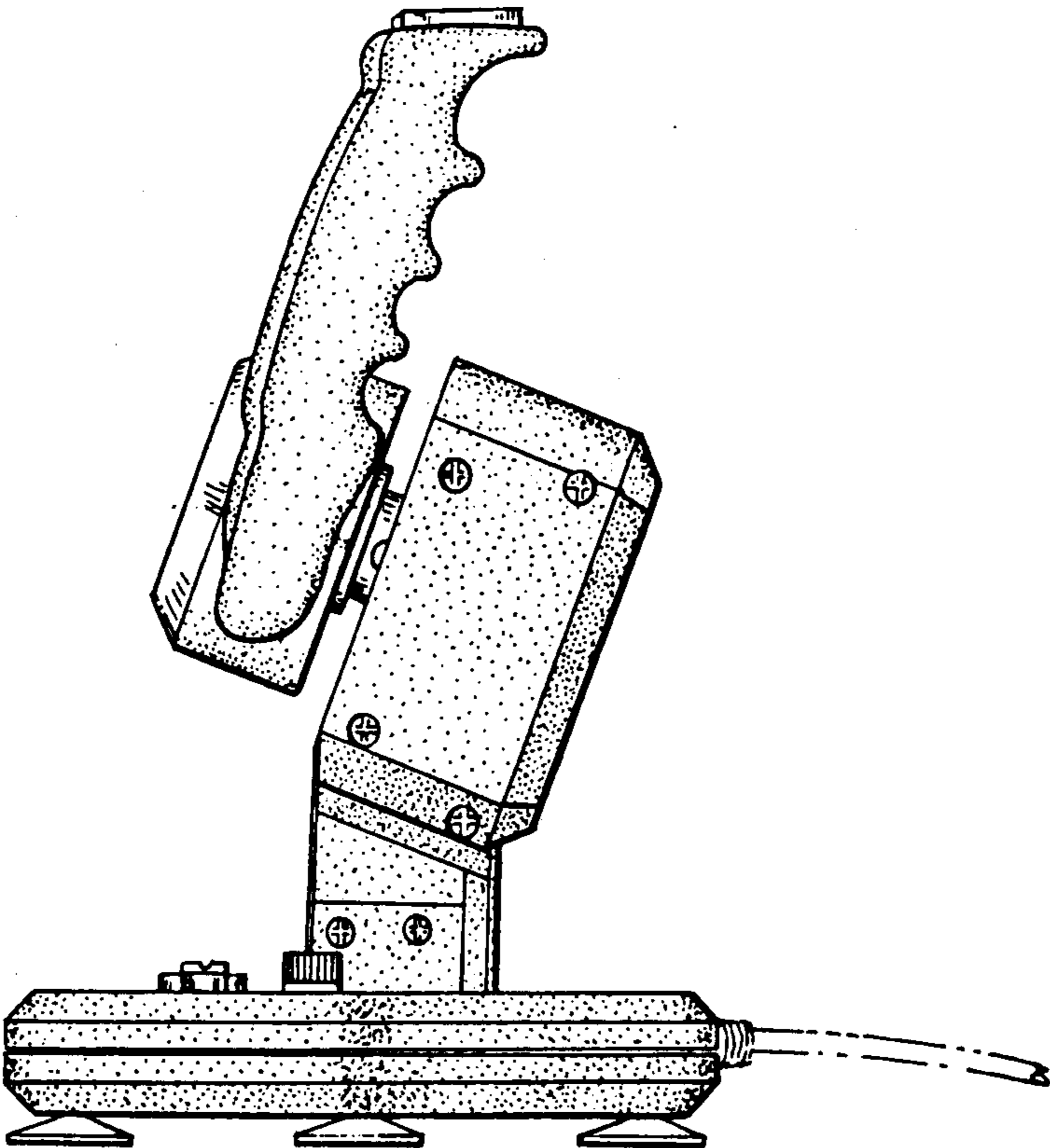


FIG. 6

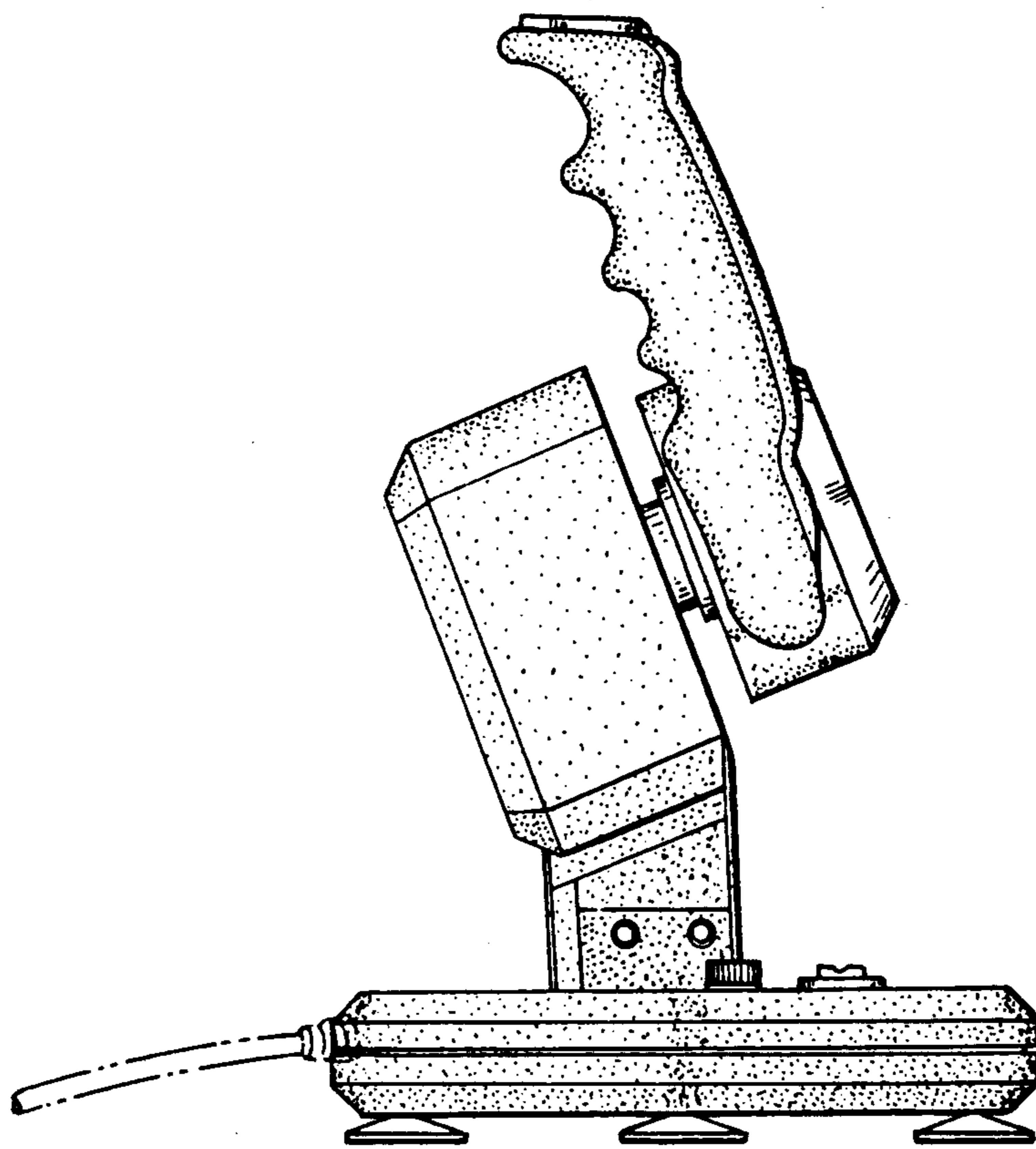


FIG. 7