

[54] NEWSPAPER VENDING BIN OR SIMILAR ARTICLE

[75] Inventor: Milton J. Merl, New City, N.Y.

[73] Assignee: Gannett Co., Ltd., Arlington, Va.

[**] Term: 14 Years

[21] Appl. No.: 85,414

[22] Filed: Aug. 14, 1987

[52] U.S. Cl. D20/6

[58] Field of Search D20/1, 2, 4, 5, 7, 8; 222/129.1, 129.4; 221/24, 75, 96, 155, 197, 39, 41, 60, 216, 227, 236, 1, 8, 54, 110, 154; 194/205, 212, 255, 350; 248/127; 211/87, 49.1, 45, 59.2

[56] References Cited

U.S. PATENT DOCUMENTS

- D. 213,532 1/1969 Yeo .
- D. 214,947 1/1969 Perkins .
- D. 219,479 1/1970 Perkins .
- D. 273,019 3/1984 Chalabian .
- D. 273,020 3/1984 Chalabian .
- D. 273,021 3/1984 Chalabian .
- D. 273,022 3/1984 Chalabian .
- D. 273,023 3/1984 Chalabian .
- D. 273,123 3/1984 Gore .
- D. 273,203 3/1984 Gore .
- D. 273,595 3/1984 Gore .

- D. 273,686 3/1984 Gore .
- 1,108,164 8/1914 Glines 221/155
- 1,334,299 3/1920 Germain 221/41
- 2,858,047 10/1958 Williams et al. 221/227
- 3,042,250 7/1962 Watlington 221/41
- 3,180,518 4/1965 Roser 221/155
- 4,544,081 2/1985 Voegeli .
- 4,708,409 11/1987 Voegli D20/6 X

Primary Examiner—James R. Largen
Attorney, Agent, or Firm—Cushman, Darby & Cushman

[57] CLAIM

The ornamental design for a newspaper vending bin or similar article, as shown and described.

DESCRIPTION

FIG. 1 is a perspective view taken from the top, front and left side of a newspaper vending bin or similar article showing my new design;

FIG. 2 is an exploded perspective view taken from the top, front and left side thereof;

FIG. 3 is a perspective view taken from the top, rear and left side thereof, showing the display header in a raised position; and

FIG. 4 is a perspective view taken from the bottom, front and right side of the bin portion thereof with the display header and inside rear panel of the bin omitted for ease of illustration.

The broken line showing of areas for indicia in FIGS. 1 and 2 are for purposes of illustration only and form no part of the claimed design.

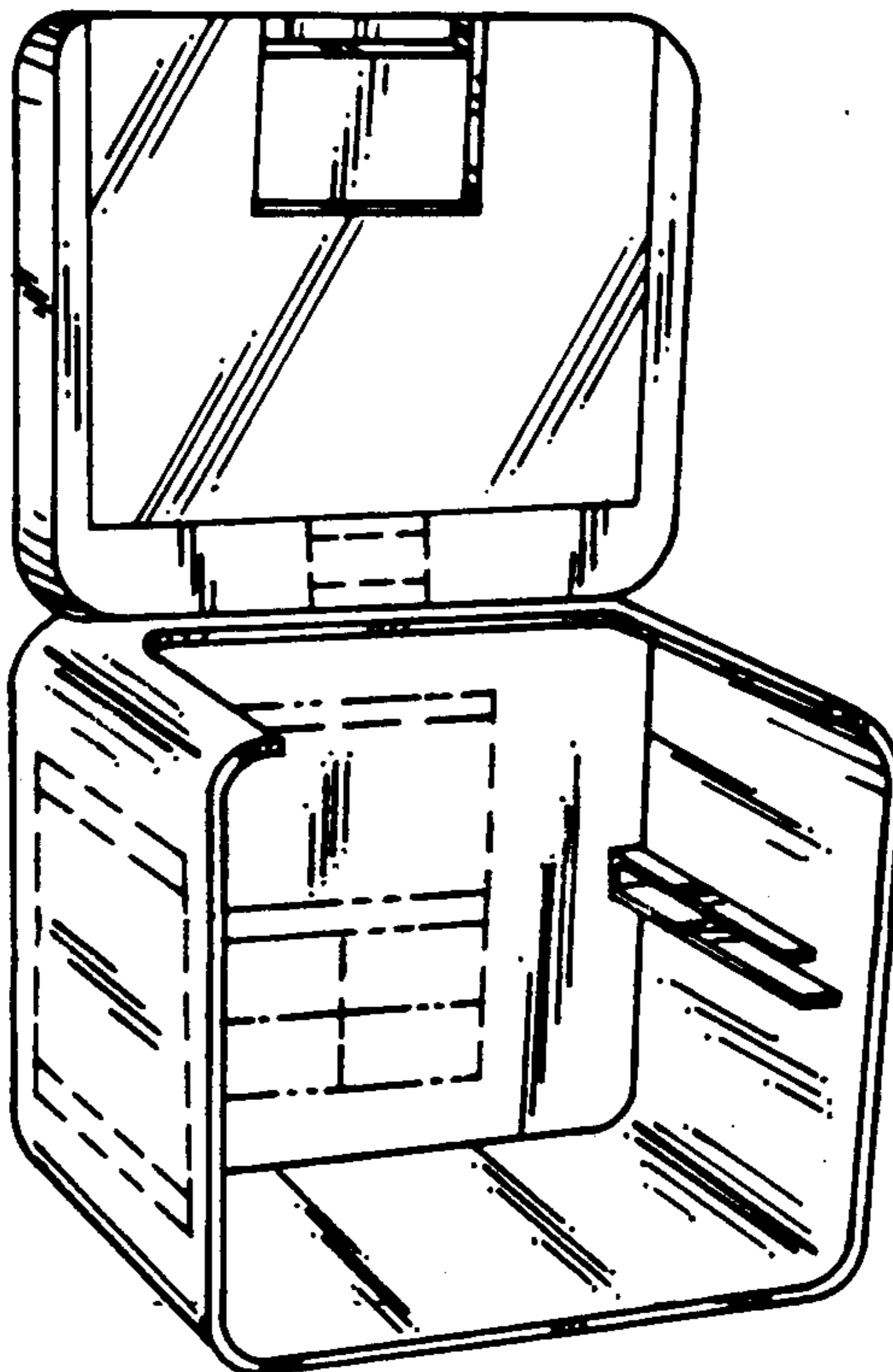


FIG. 1

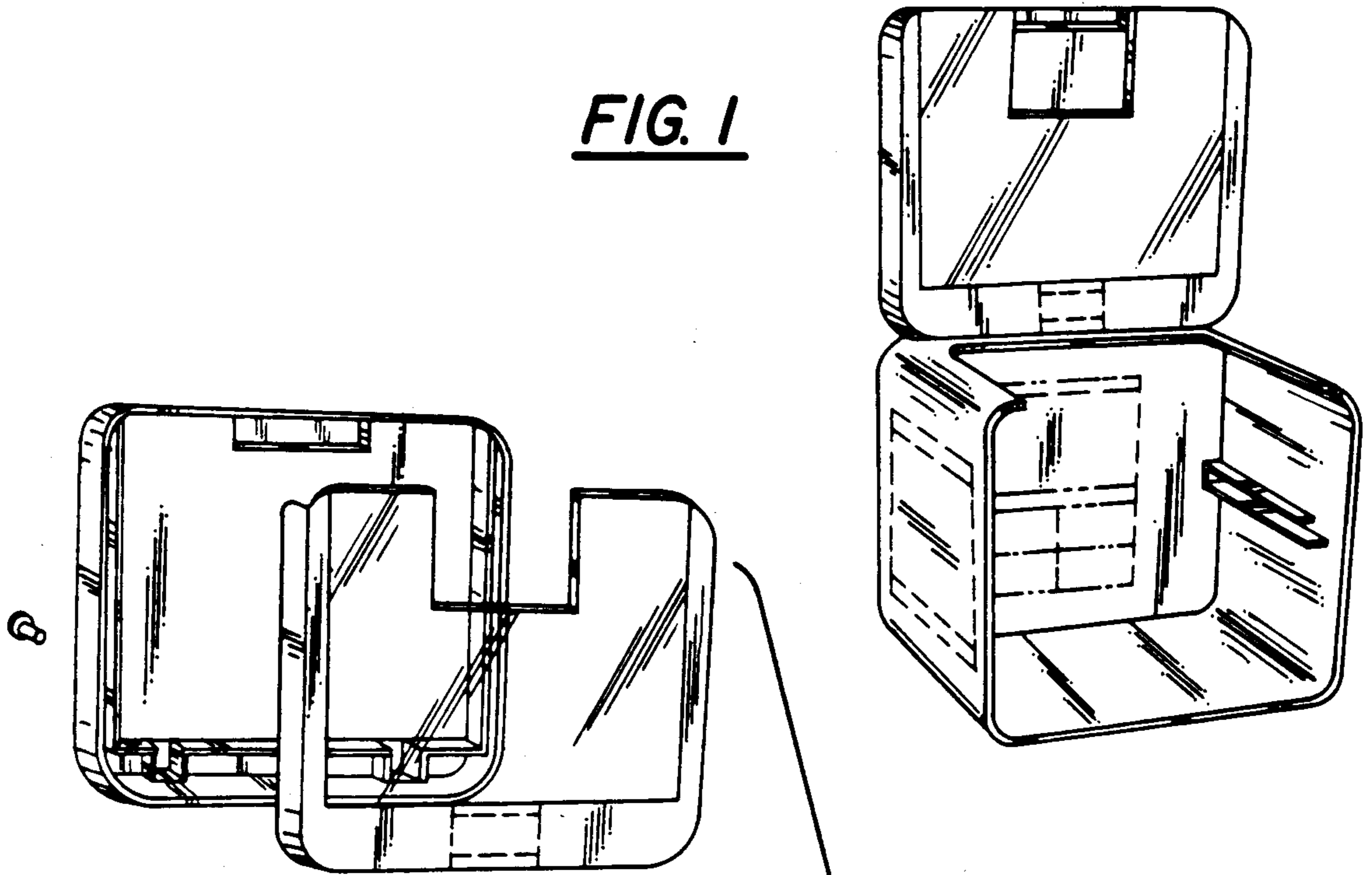
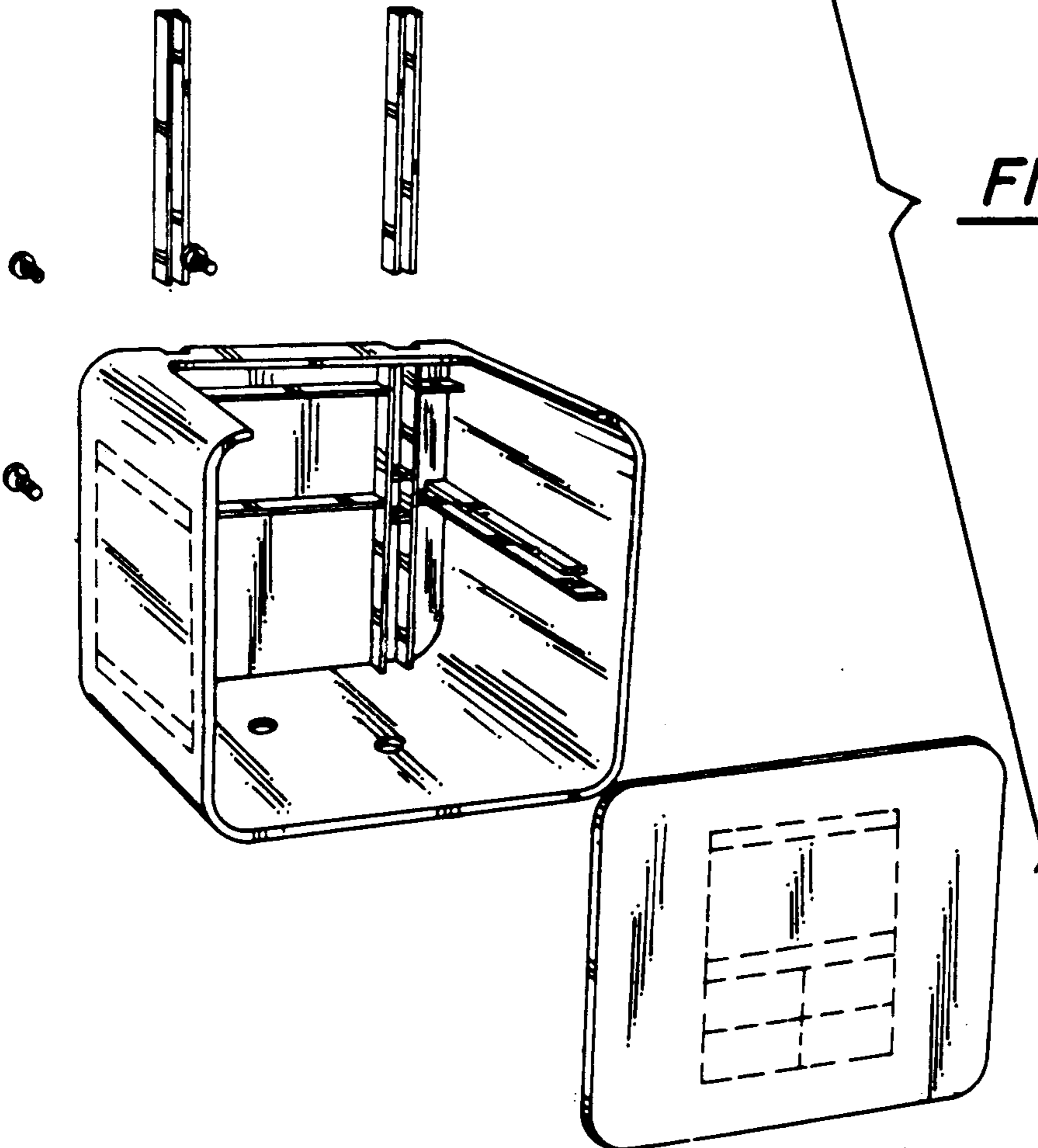


FIG. 2



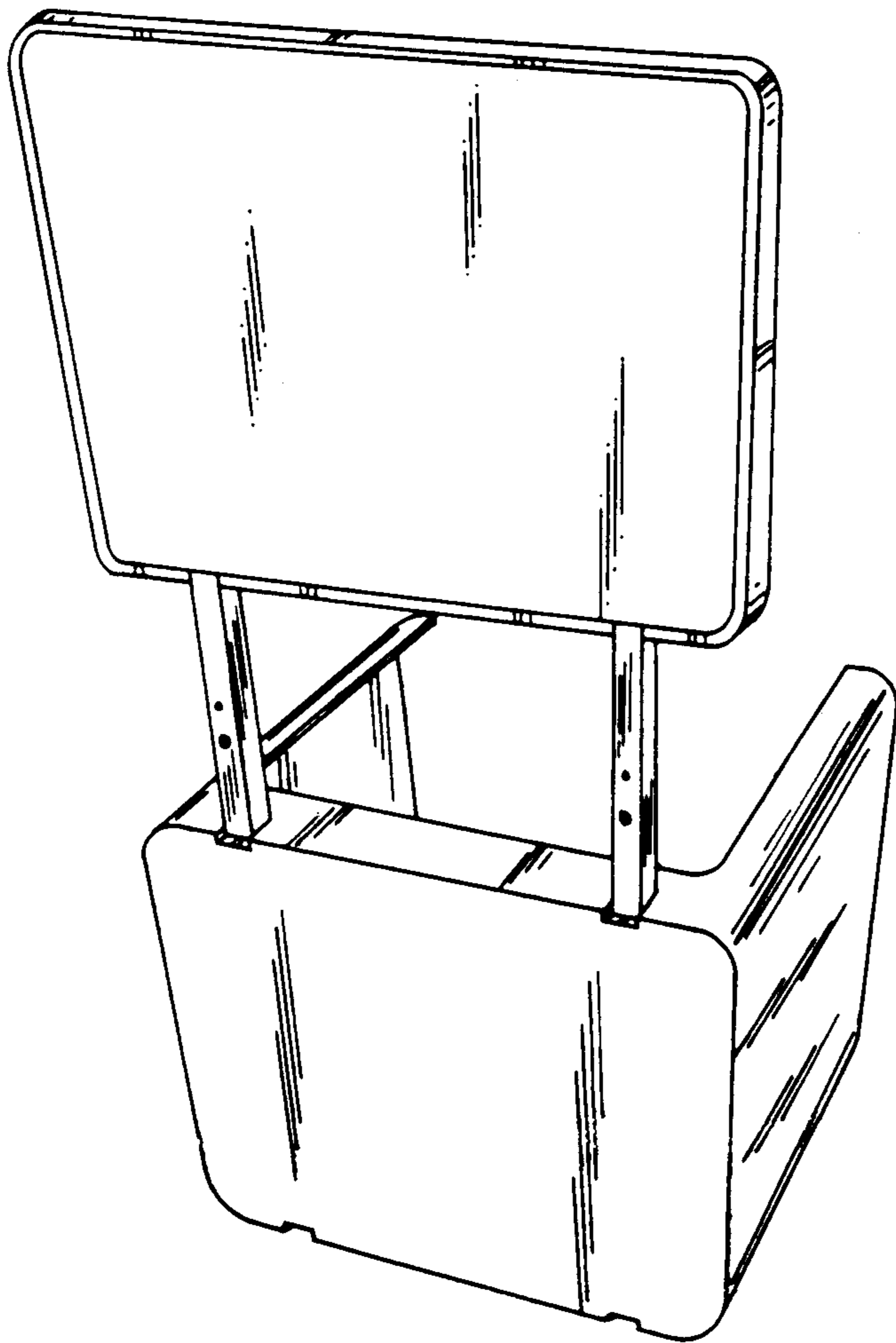


FIG. 3

FIG. 4

