

[54] **PRINTER**

[75] Inventors: **Kouki Sugawara; Kazuo Yoshida,**
both of Tokyo, Japan

[73] Assignee: **Oki Electric Industry Co., Inc.,**
Tokyo, Japan

[**] Term: **14 Years**

[21] Appl. No.: **275,566**

[22] Filed: **Nov. 22, 1988**

[30] **Foreign Application Priority Data**

Nov. 10, 1988 [JP] Japan 63-44103

[52] U.S. Cl. **D18/13**

[58] Field of Search D14/100, 101, 111, 115,
D14/118, 217; D18/4, 13, 36, 19; 400/613,
613.2, 613.3, 613.4, 691-694; 364/708

[56] **References Cited**

U.S. PATENT DOCUMENTS

D. 252,202 6/1979 Sakamoto D14/111

D. 279,677 7/1985 Kato et al. D14/111

D. 282,173 1/1986 Fossella et al. D14/111

D. 283,824 5/1986 Takada D18/13

Primary Examiner—James R. Largen
Assistant Examiner—CathyAnne MacCormac
Attorney, Agent, or Firm—Wenderoth, Lind & Ponack

[57] **CLAIM**

The ornamental design for a printer, as shown and described.

DESCRIPTION

FIG. 1 is a front top and right side perspective view of a printer showing my new design; FIG. 2 is another perspective view thereof; FIG. 3 is a front elevational view thereof; FIG. 4 is a top plan view thereof; FIG. 5 is a rear elevational view thereof; FIG. 6 is a bottom plan view thereof; FIG. 7 is a left side elevational view thereof; FIG. 8 is a right side elevational view thereof; and FIG. 9 is a sectional view taken on line IX—IX of FIG. 3 with the interior construction omitted; The broken lines representation of paper and letters in FIG. 2 is for illustrative purposes only and forms no part of the claimed design.

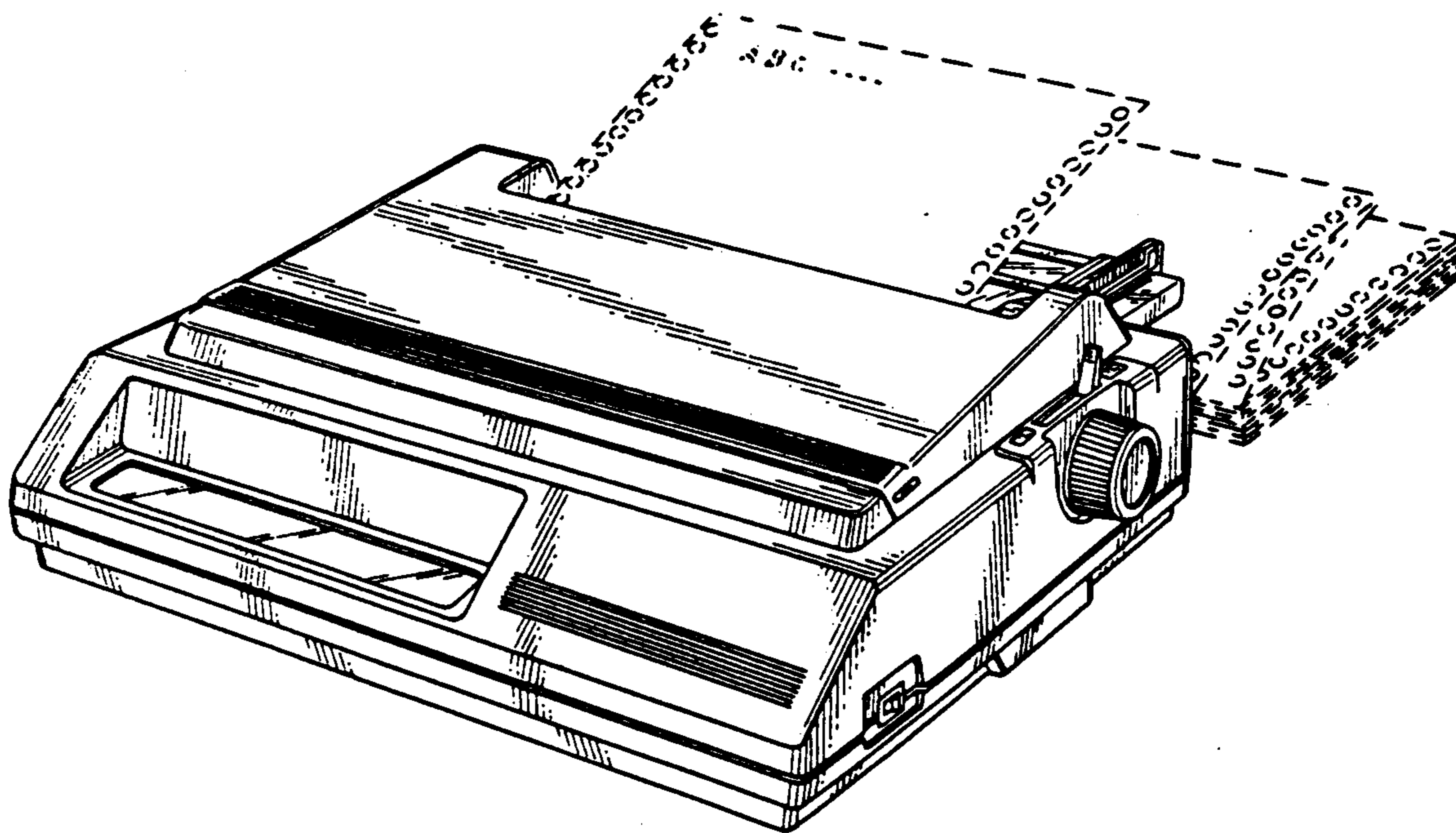


Fig. 1

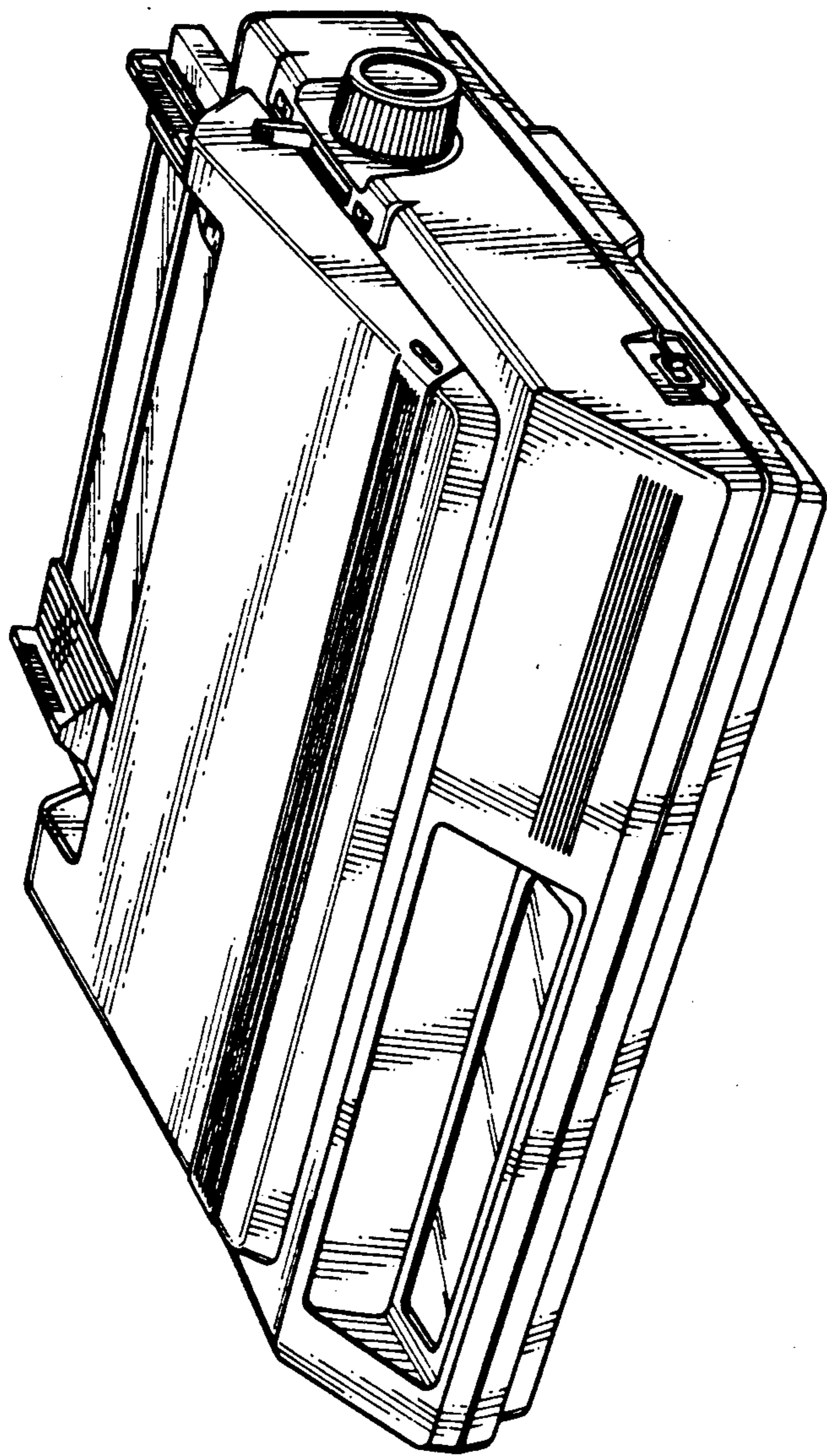


Fig. 2

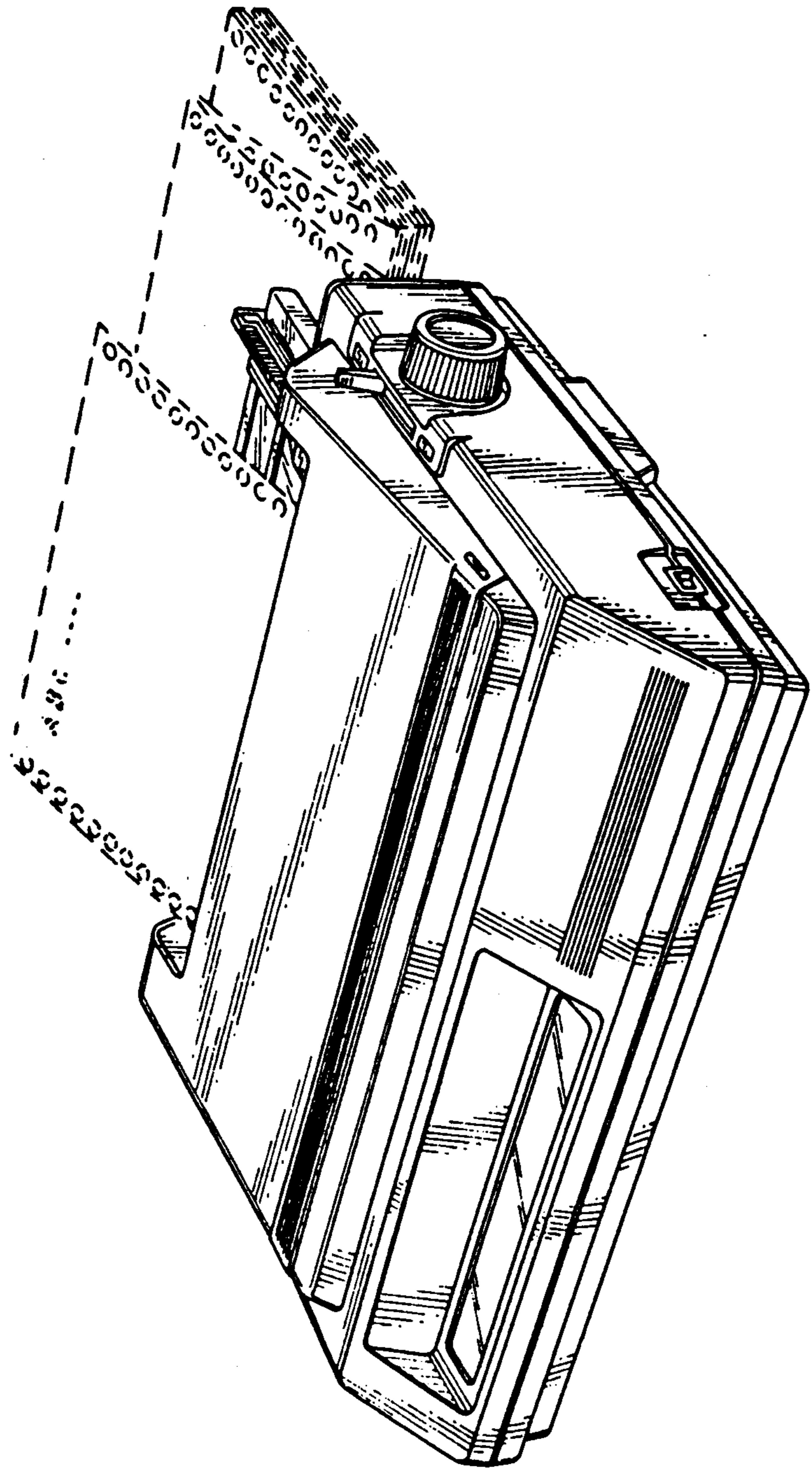
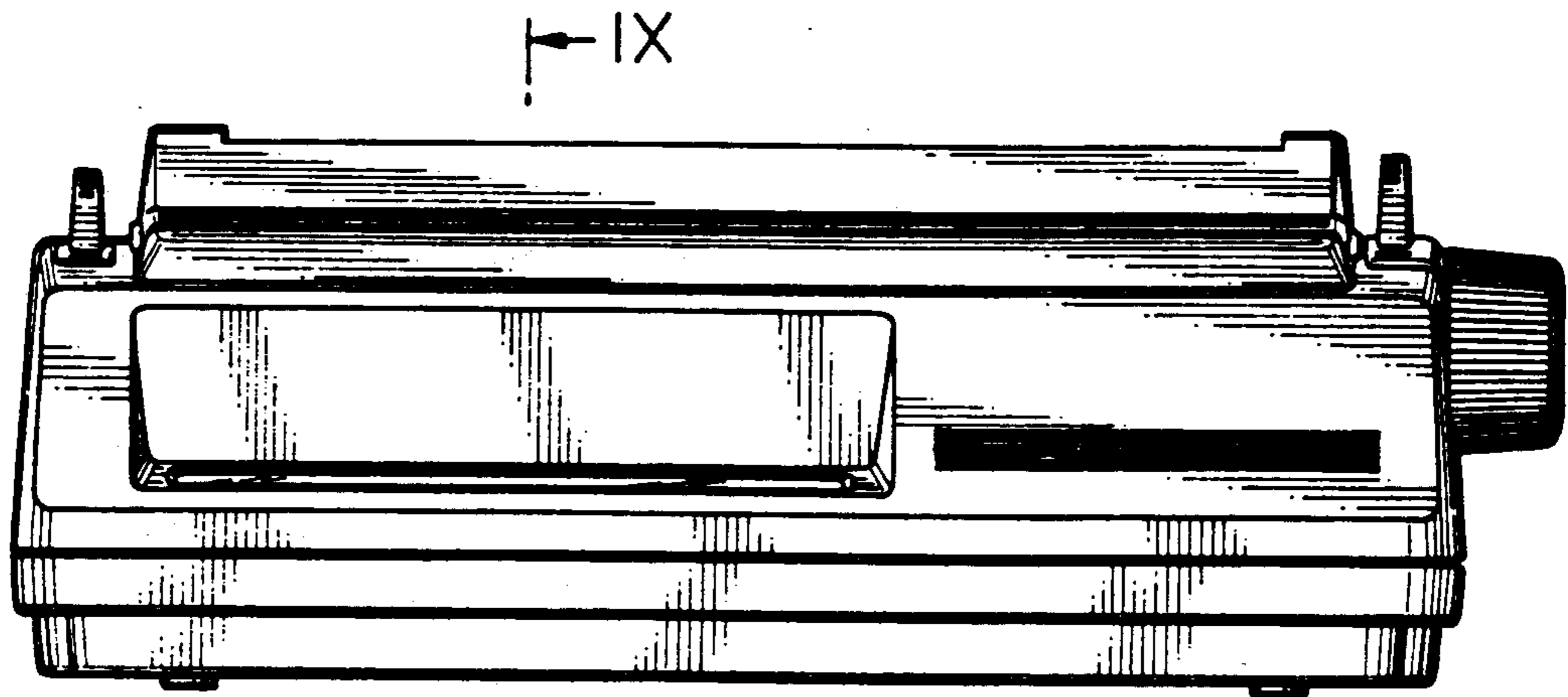


Fig. 3



IX

Fig. 4

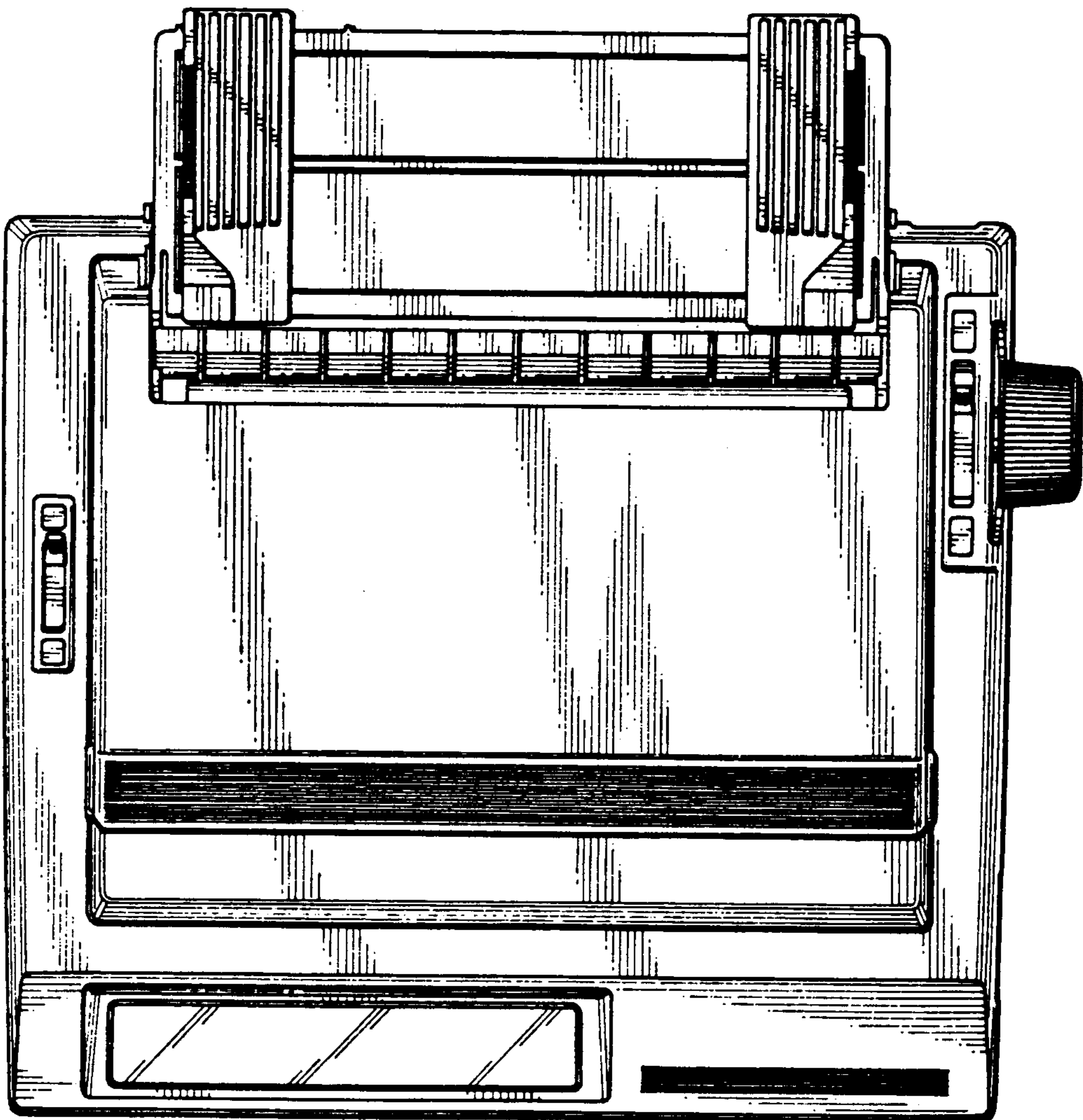


Fig. 5

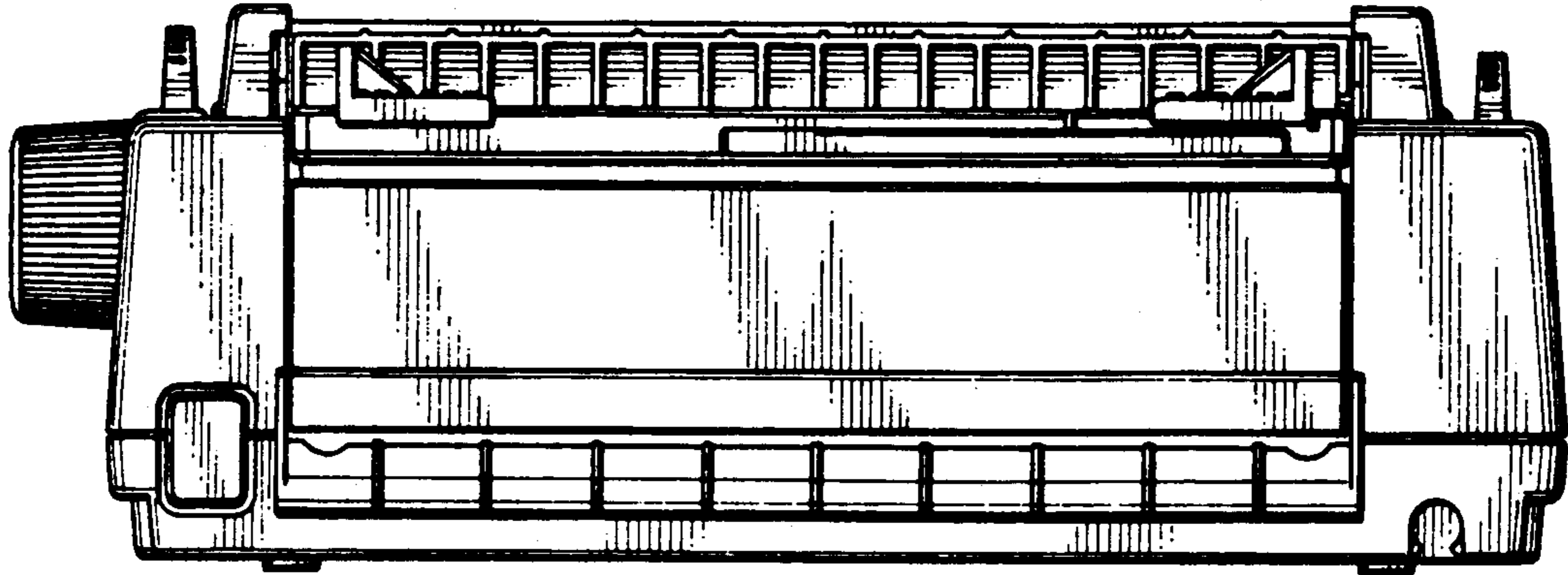


Fig. 6

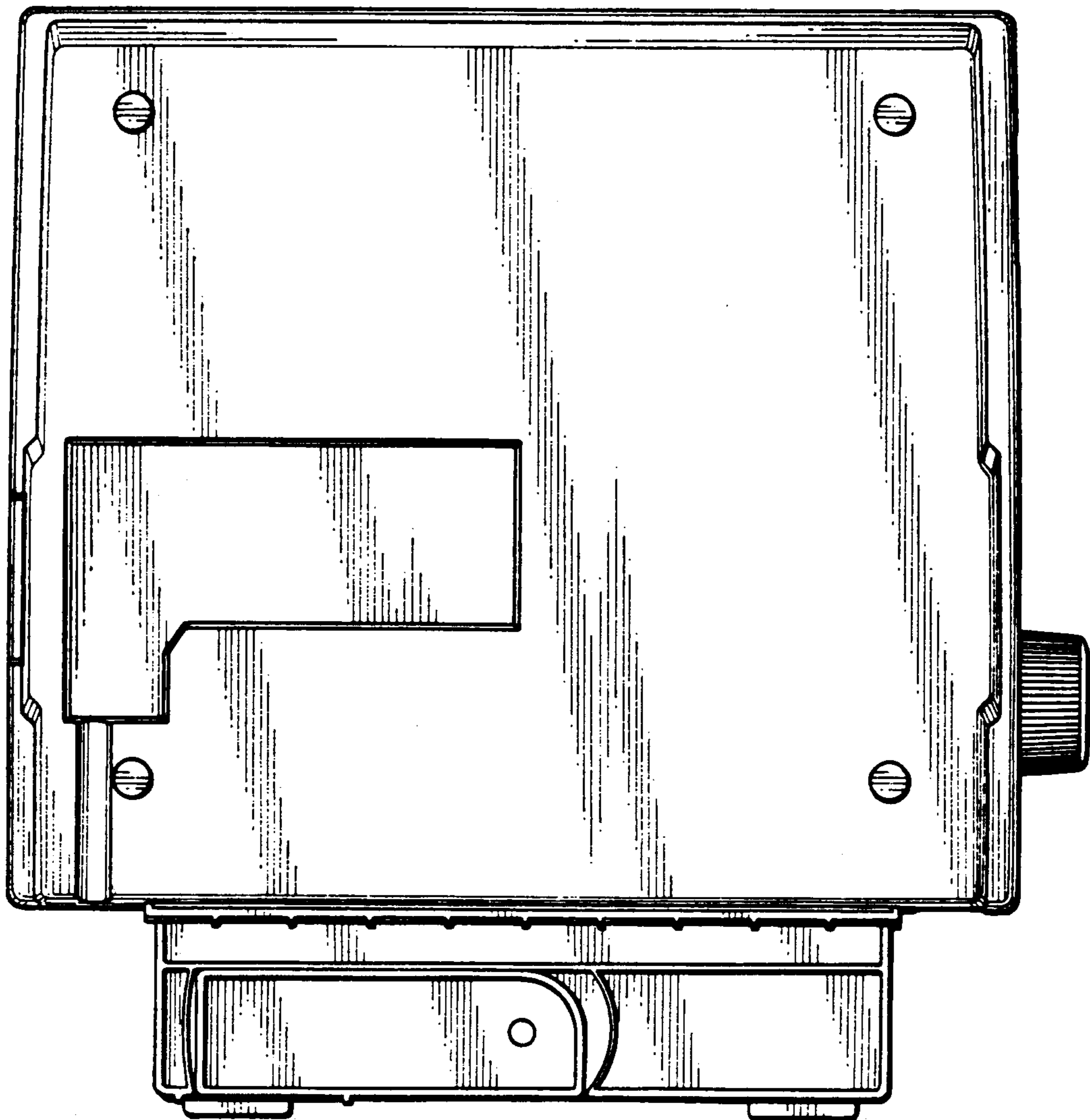


Fig. 7

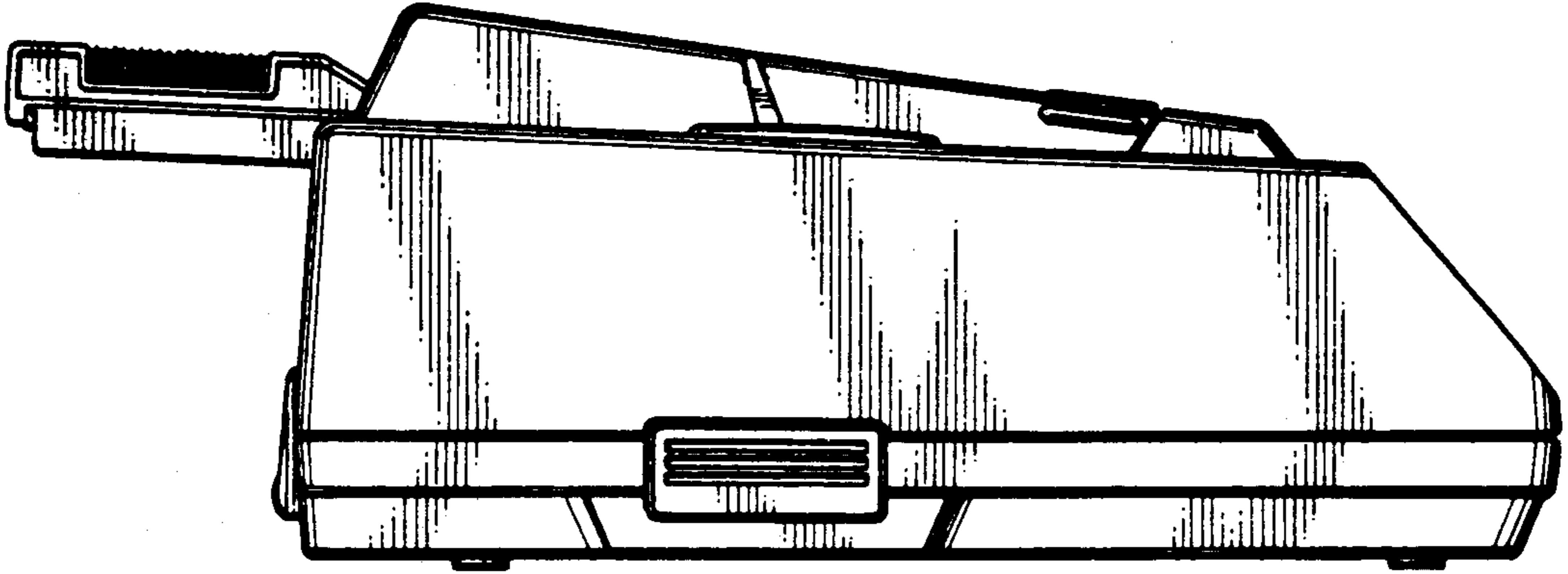


Fig. 8

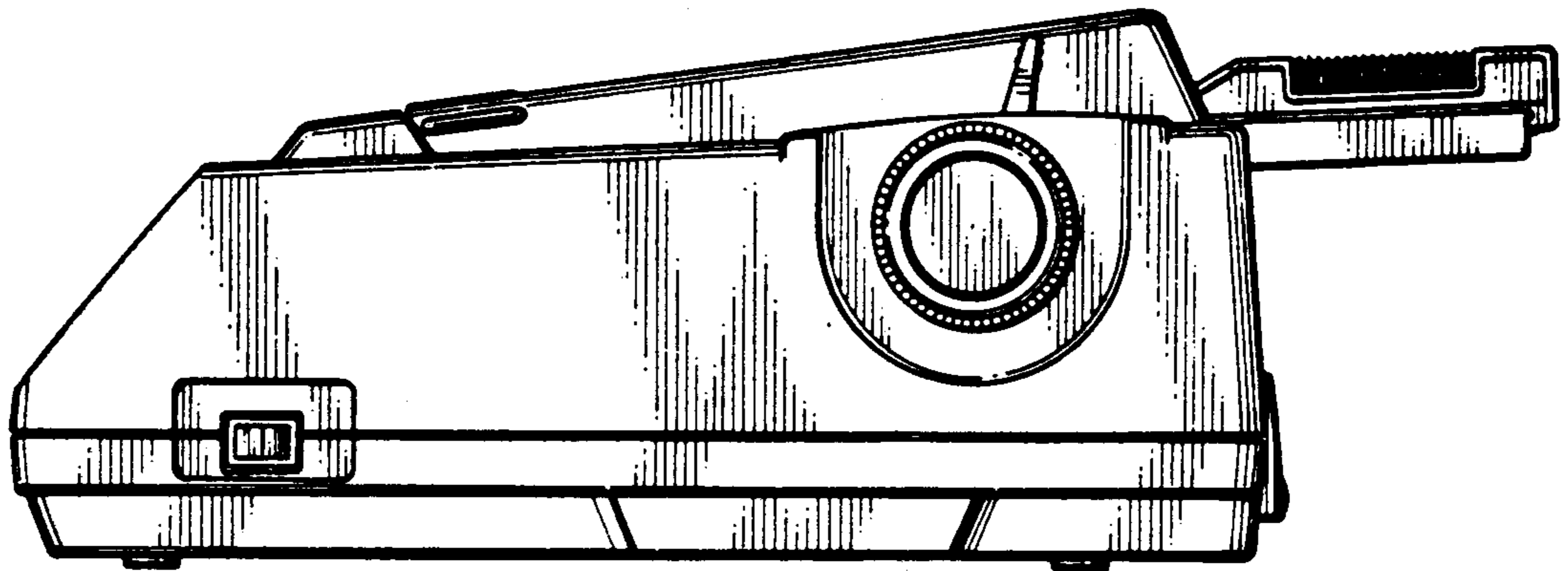


Fig. 9

