

United States Patent [19]

Sugawara et al.

[11] Patent Number: Des. 316,869

[45] Date of Patent: ** May 14, 1991

[54] **PRINTER**

[75] Inventors: **Kouki Sugawara; Sampei Seki**, both of Tokyo, Japan

[73] Assignee: **Oki Electric Industry Co., Ltd.**, Tokyo, Japan

[**] Term: **14 Years**

[21] Appl. No.: **275,565**

[22] Filed: **Nov. 22, 1988**

[30] **Foreign Application Priority Data**

Nov. 10, 1988 [JP] Japan 63-44102

[52] U.S. Cl. **D18/13**

[58] Field of Search D14/100, 101, 111, 115, D14/118, 217; D18/413, 36, 19; 400/613, 613.2, 613.3, 613.4, 691-694; 364/708

[56] **References Cited**

U.S. PATENT DOCUMENTS

D. 286,153 10/1986 Davis D14/111

D. 287,140 12/1986 Yoshida D18/13

D. 296,101 6/1988 Hidaka et al. D14/111

D. 301,141 5/1989 Sugimoto D14/111

Primary Examiner—James R. Largen

Assistant Examiner—CathyAnne MacCormac

Attorney, Agent, or Firm—Wenderoth, Lind & Ponack

[57] **CLAIM**

The ornamental design for a printer, as shown and described.

DESCRIPTION

FIG. 1 is a front top and right side perspective view of a printer showing my new design;

FIG. 2 is another perspective view thereof;

FIG. 3 is a front elevational view thereof;

FIG. 4 is a plan view thereof;

FIG. 5 is a rear elevational view thereof;

FIG. 6 is a bottom view thereof;

FIG. 7 is a left side elevational view thereof;

FIG. 8 is a right side elevational view thereof;

FIG. 9 is a sectional view taken on line IX—IX of FIG. 3 with the interior construction omitted.

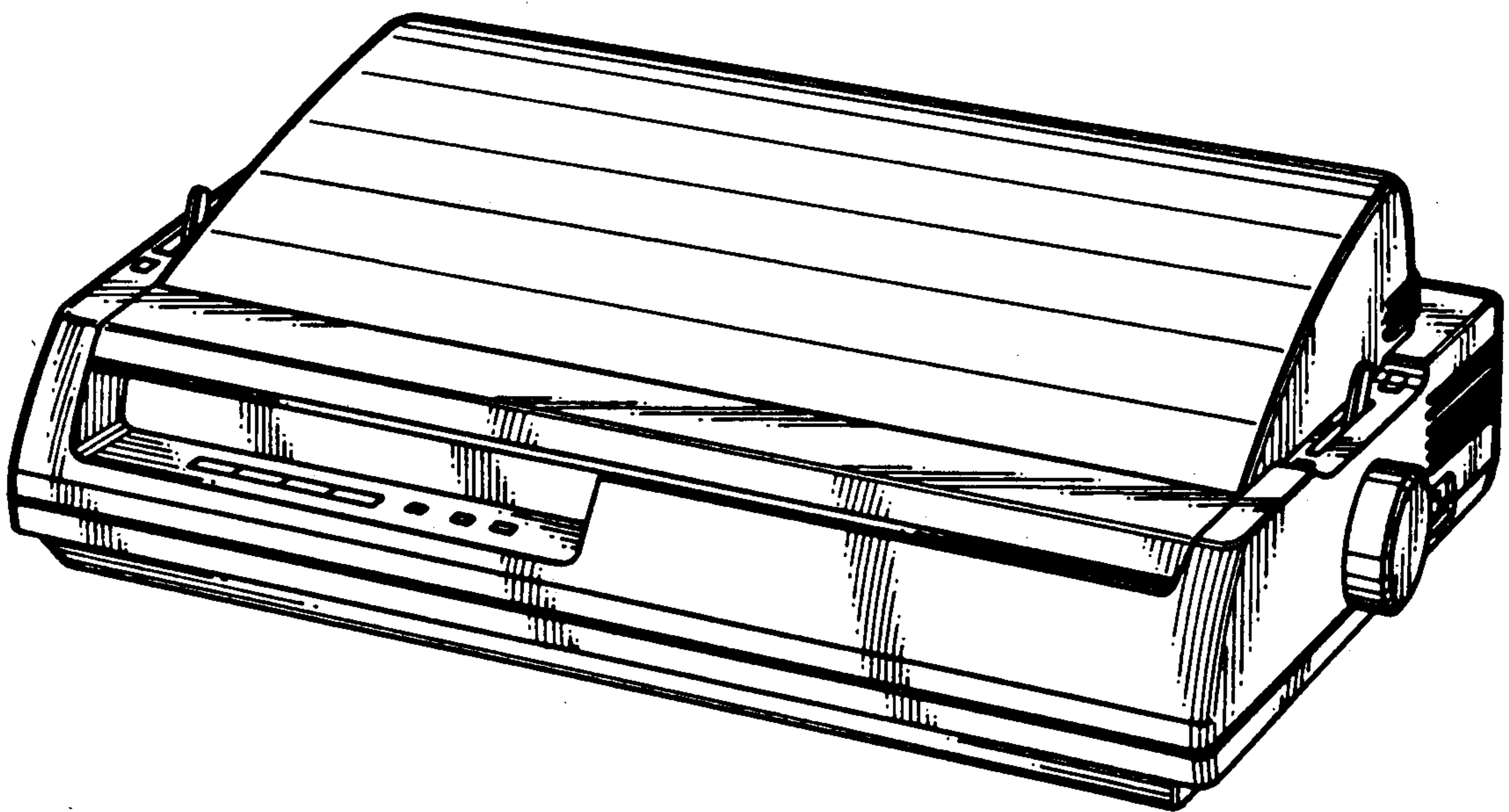


Fig. 1

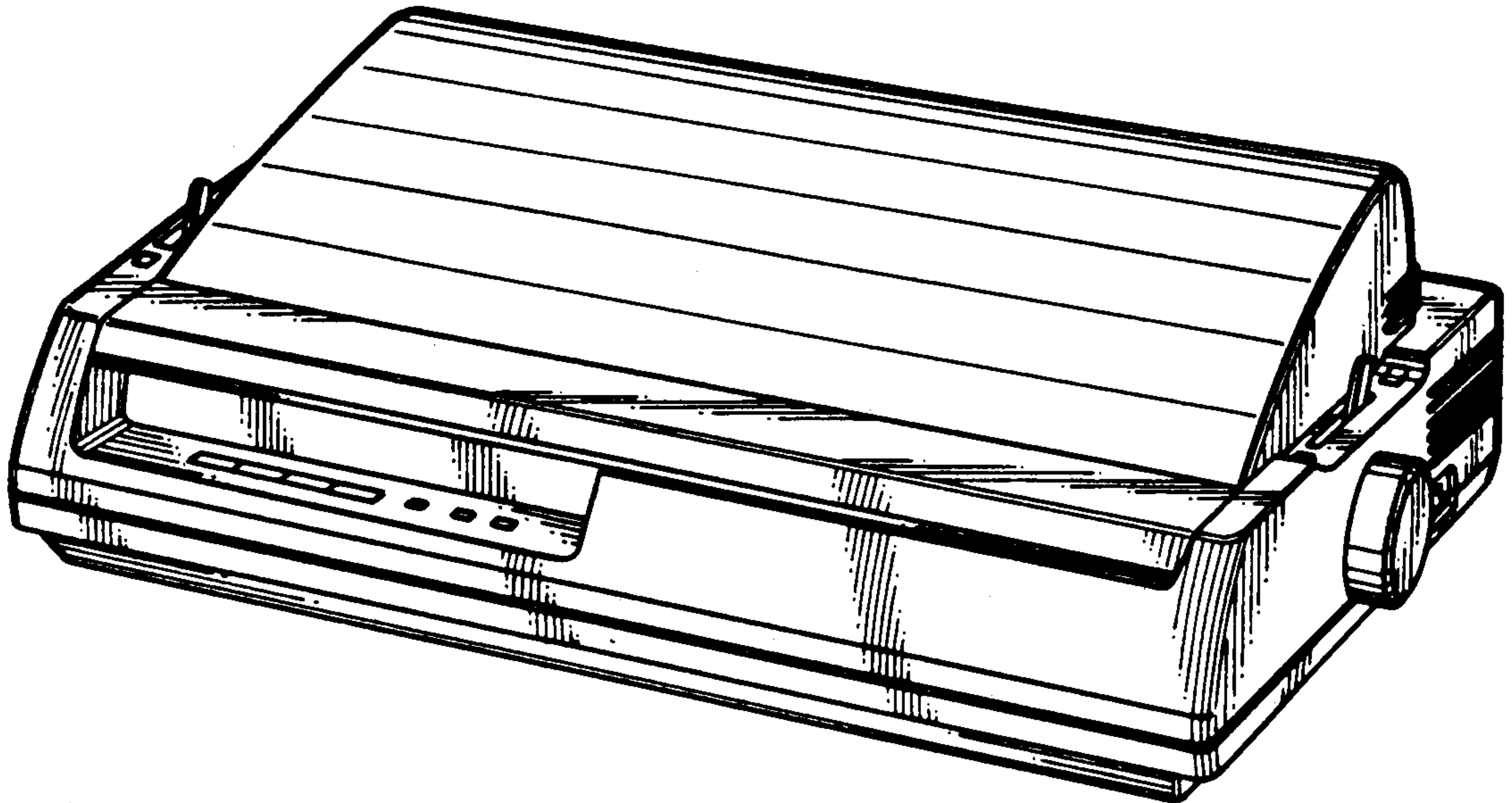


Fig. 2

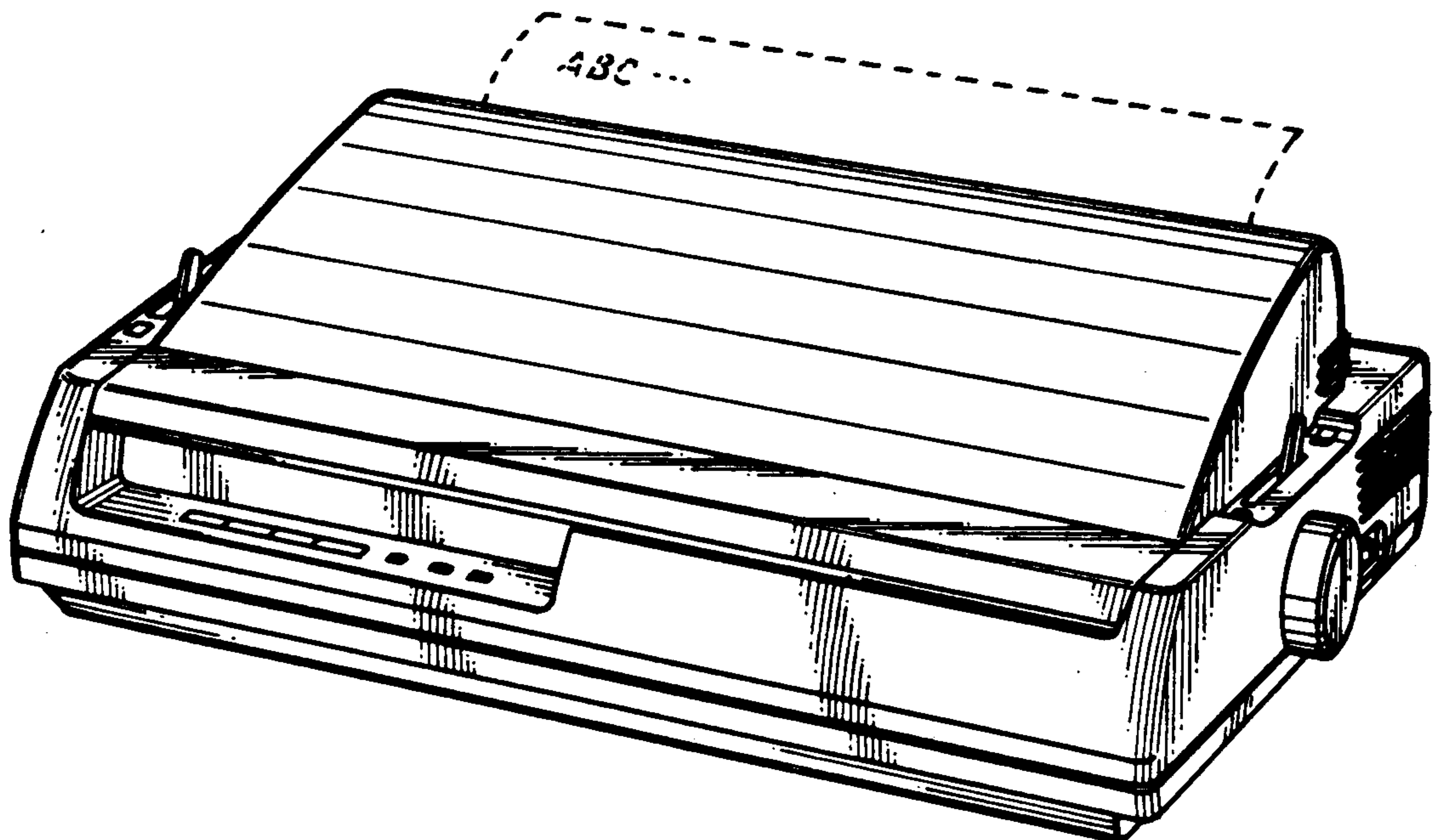


Fig. 3

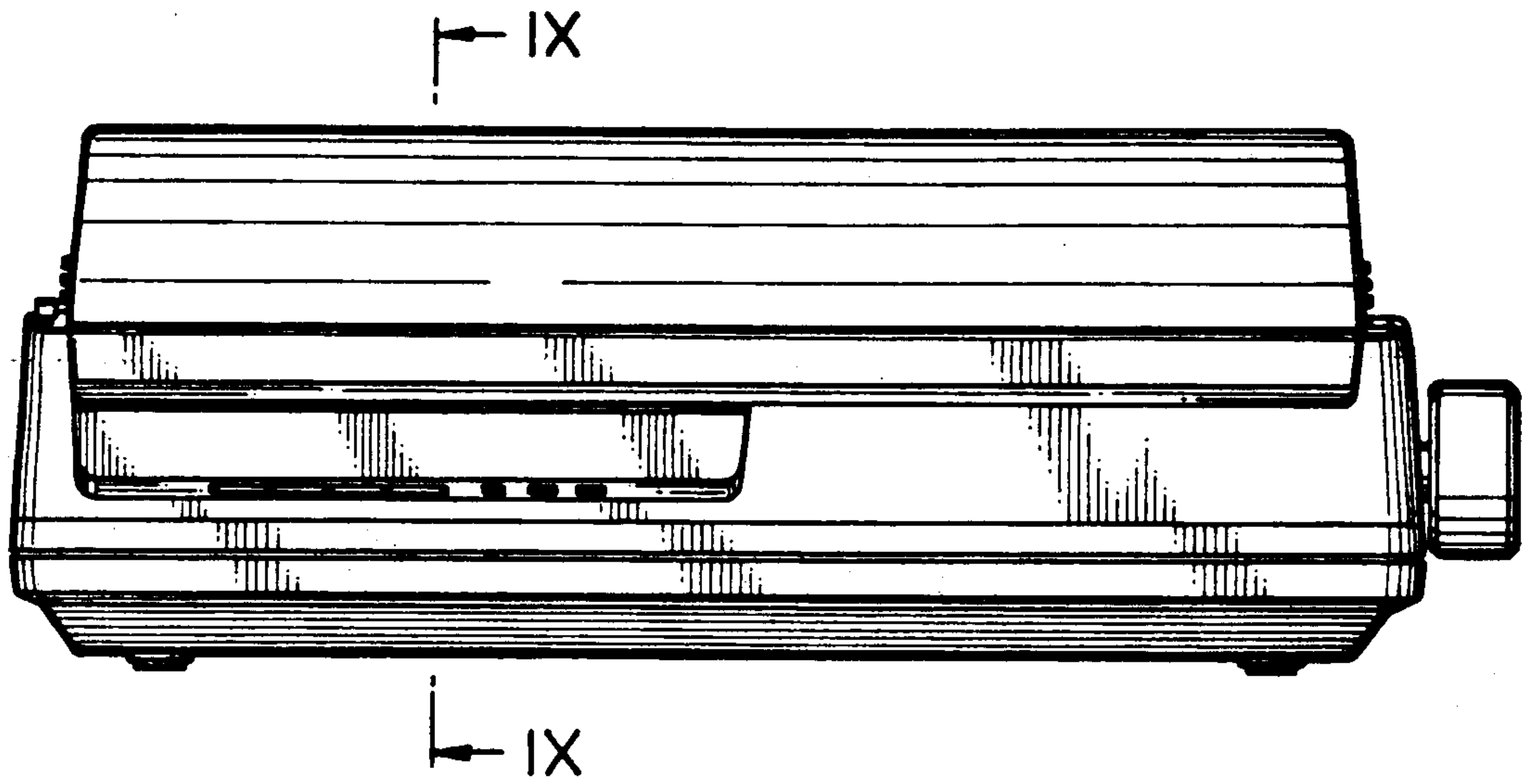


Fig. 4

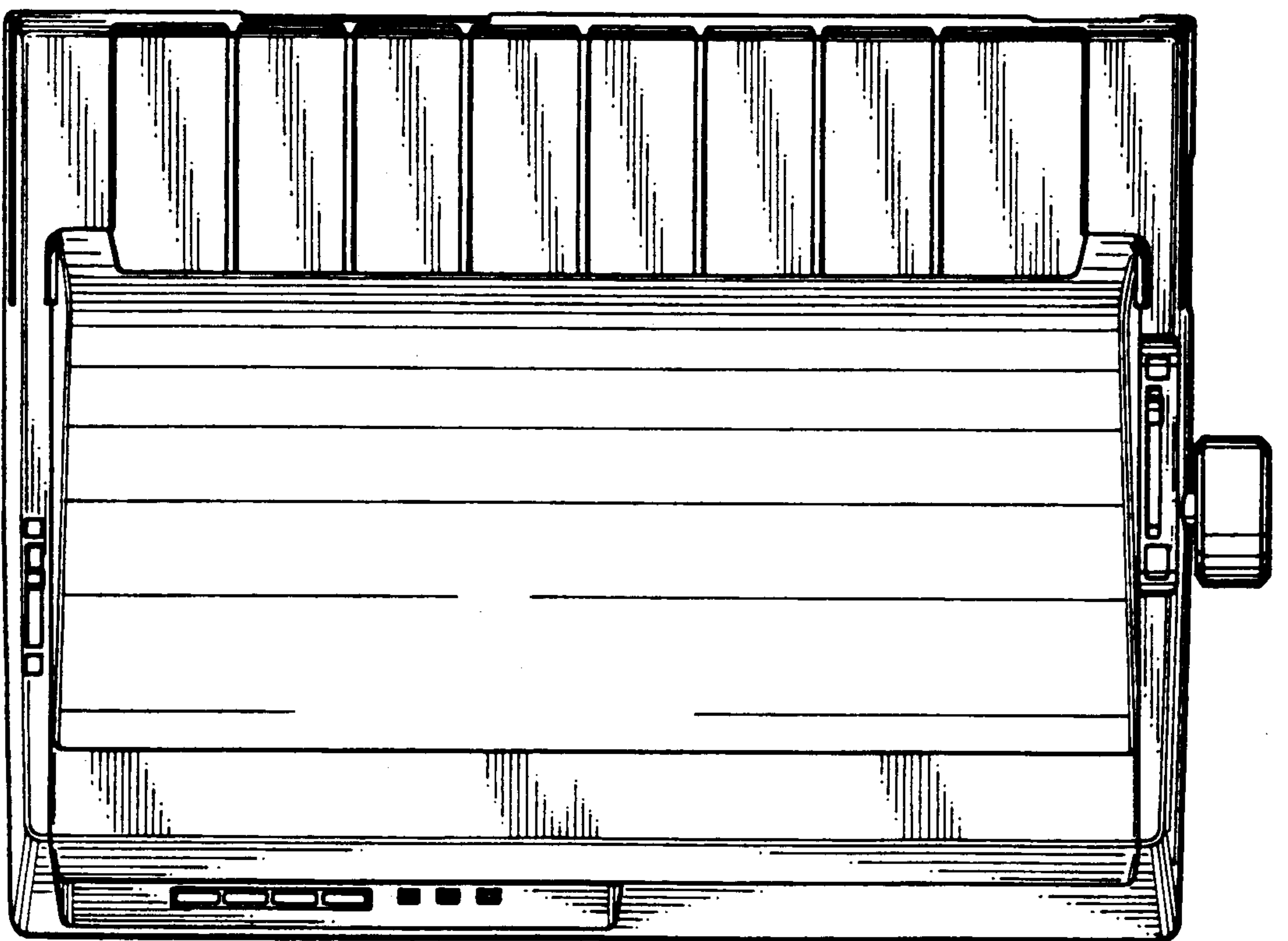


Fig. 5

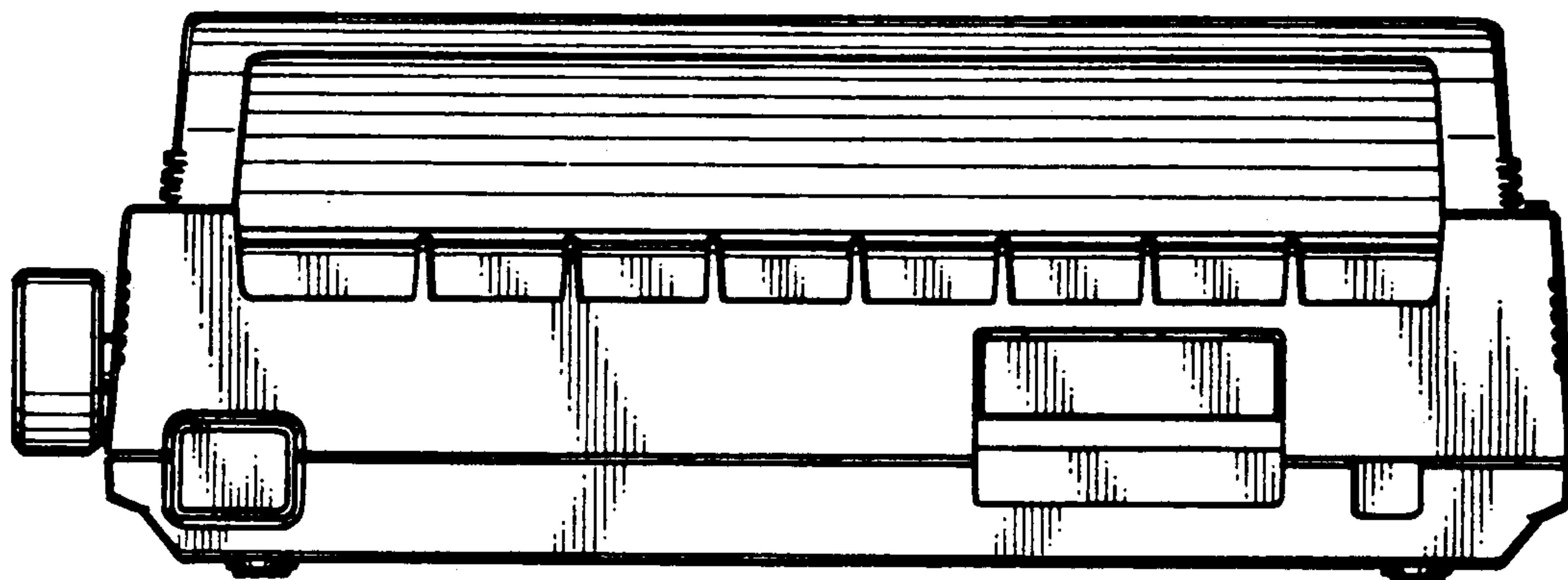


Fig. 6

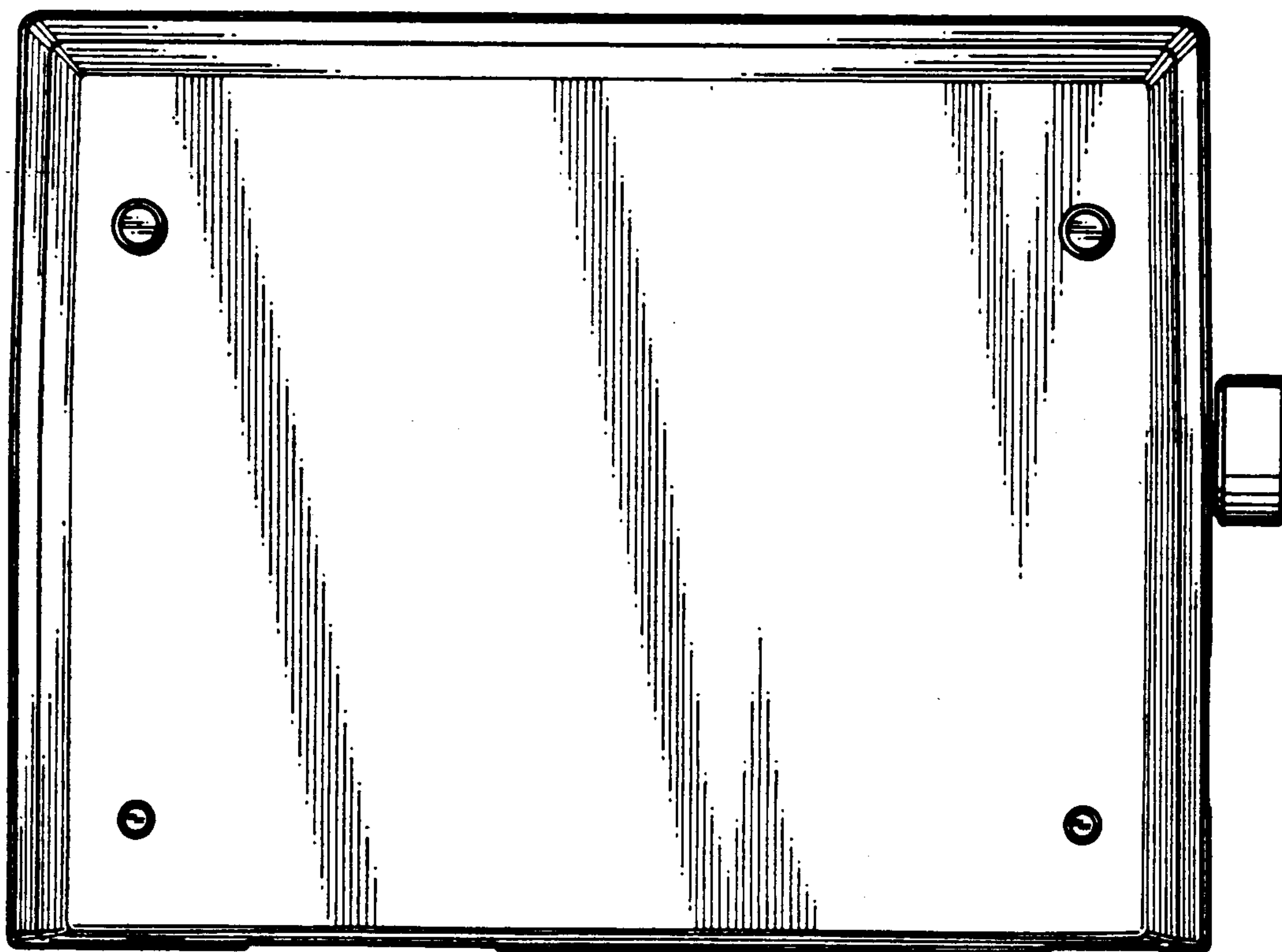


Fig. 7

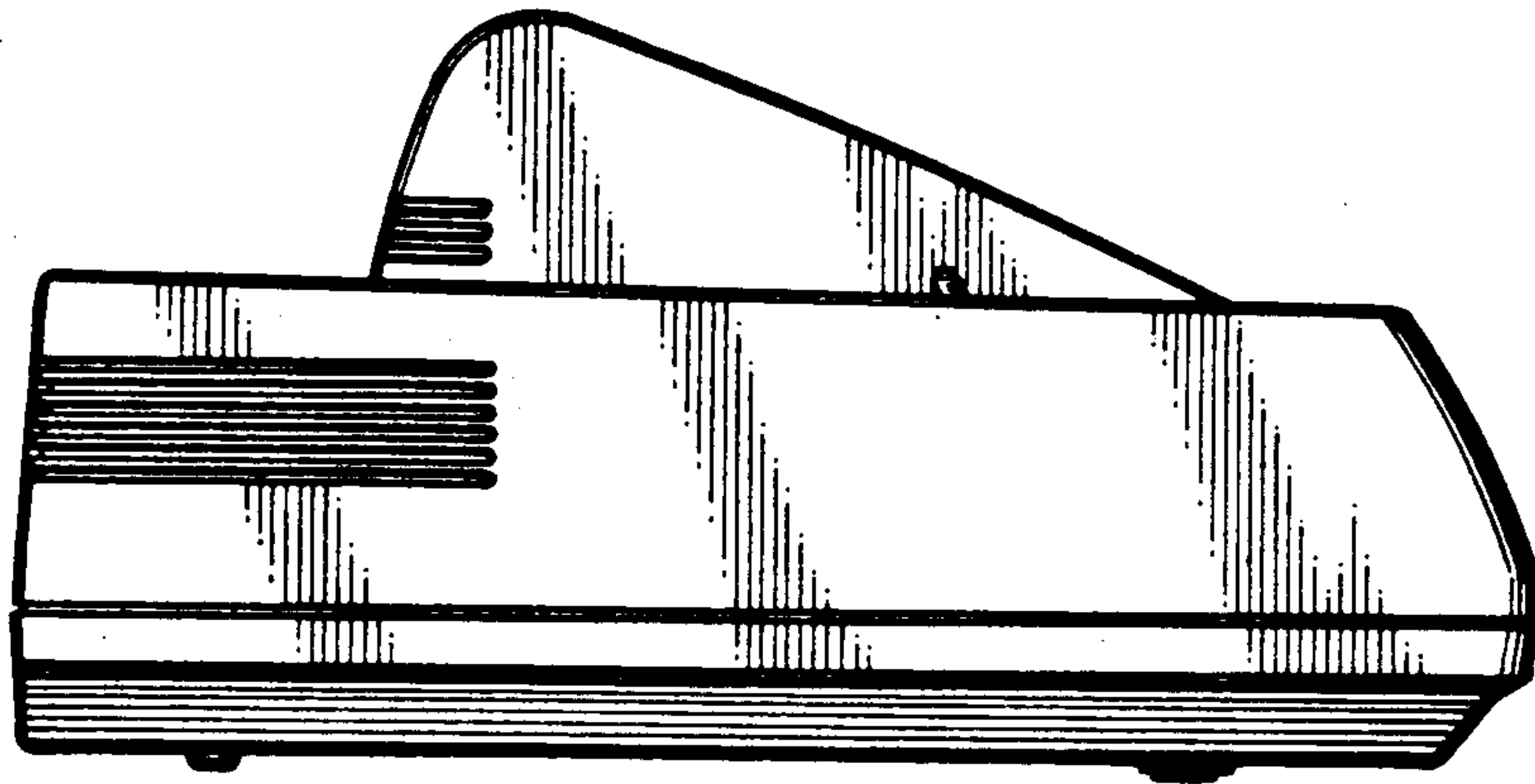


Fig. 8

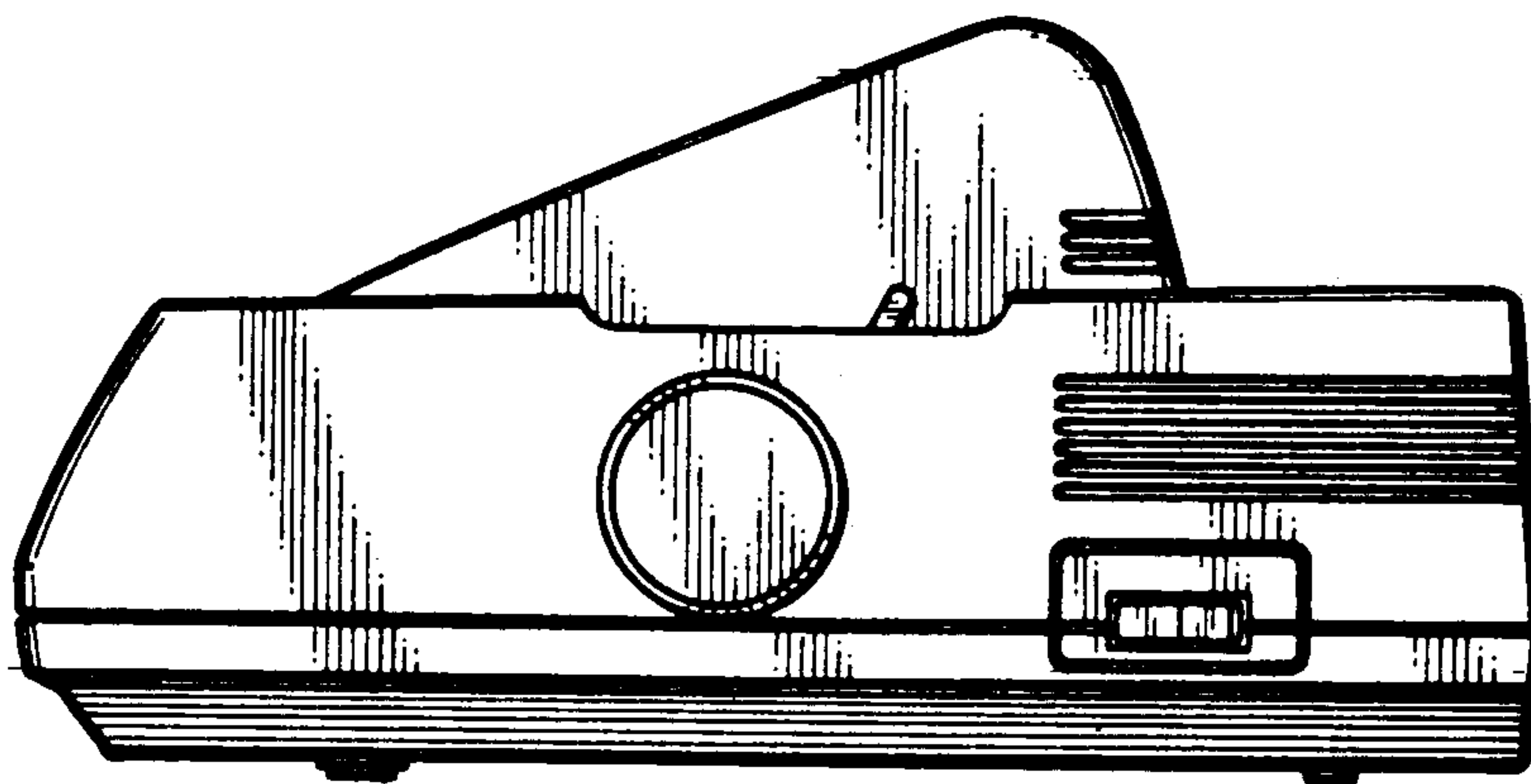


Fig. 9

