

[54] SLIDE CALCULATOR

[75] Inventor: Craig E. Johnson, West Chicago, Ill.

[73] Assignee: Schwan's Sales Enterprises, Inc., Marshall, Minn.

[**] Term: 14 Years

[21] Appl. No.: 332,225

[22] Filed: Mar. 31, 1989

[52] U.S. CL. D18/9

[58] Field of Search D18/6, 9; 235/70 R, 235/70 A, 70 B, 70 C, 79.5, 84

[56] References Cited

U.S. PATENT DOCUMENTS

D. 224,259	7/1972	Raimondi	D18/9
D. 254,078	1/1980	Van Exel	D18/9
1,866,133	7/1932	Simon	235/70 R
2,443,882	6/1948	Allen	235/70 R
2,452,417	10/1948	Zentis	235/70 R
2,532,619	12/1950	Heerich	235/70 R
2,777,617	1/1957	Matt	235/70 R X
3,091,389	5/1963	Wiken	235/70 R
4,028,529	6/1977	Van de Weghe	235/70 A X
4,189,634	2/1980	LaBove et al.	235/70 A
4,308,450	12/1981	Ausman et al.	235/70 A

FOREIGN PATENT DOCUMENTS

1064447	10/1979	Canada	235/70 A
19824	of 1899	United Kingdom	235/70 R
789629	1/1958	United Kingdom	235/70 R

OTHER PUBLICATIONS

Perry Graf; Calculator & Visualizer Brochure. Catalogue entitled, "Successful Promotions", by American Slide Chart Corporation, 1989.

Primary Examiner—Nelson C. Holtje
Assistant Examiner—Caron D. Veynar
Attorney, Agent, or Firm—Merchant, Gould, Smith, Edell, Welter & Schmidt

[57] CLAIM

The ornamental design for slide calculator, as shown and described.

DESCRIPTION

FIG. 1 is a perspective view of a slide calculator showing my new design;
FIG. 2 is a top plan view;
FIG. 3 is a front elevational view, the rear elevational view being a mirror image thereof;
FIG. 4 is a bottom plan view; and
FIG. 5 is a right side elevational view, the left side elevational view being a mirror image thereof.

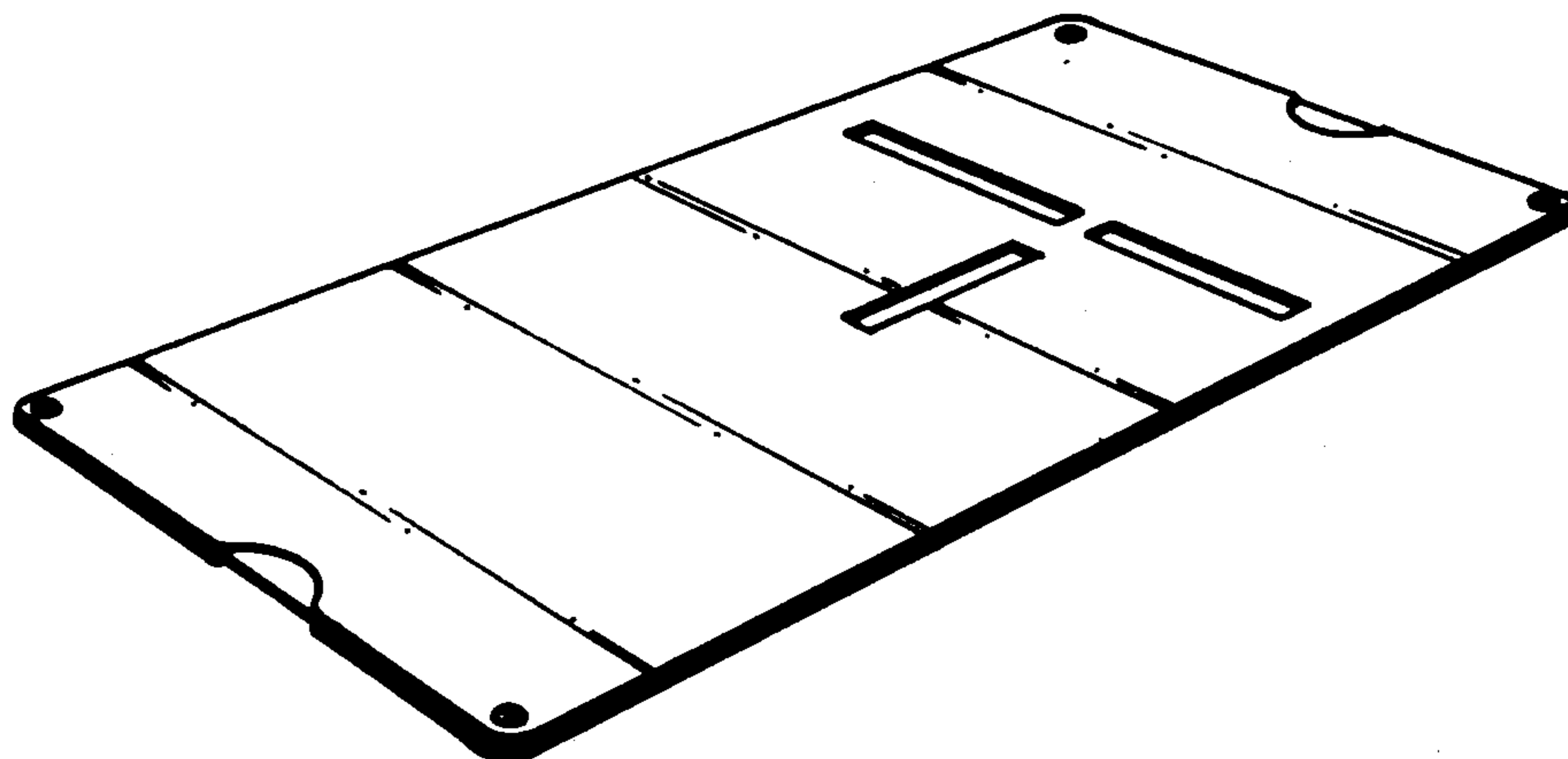


FIG. 1

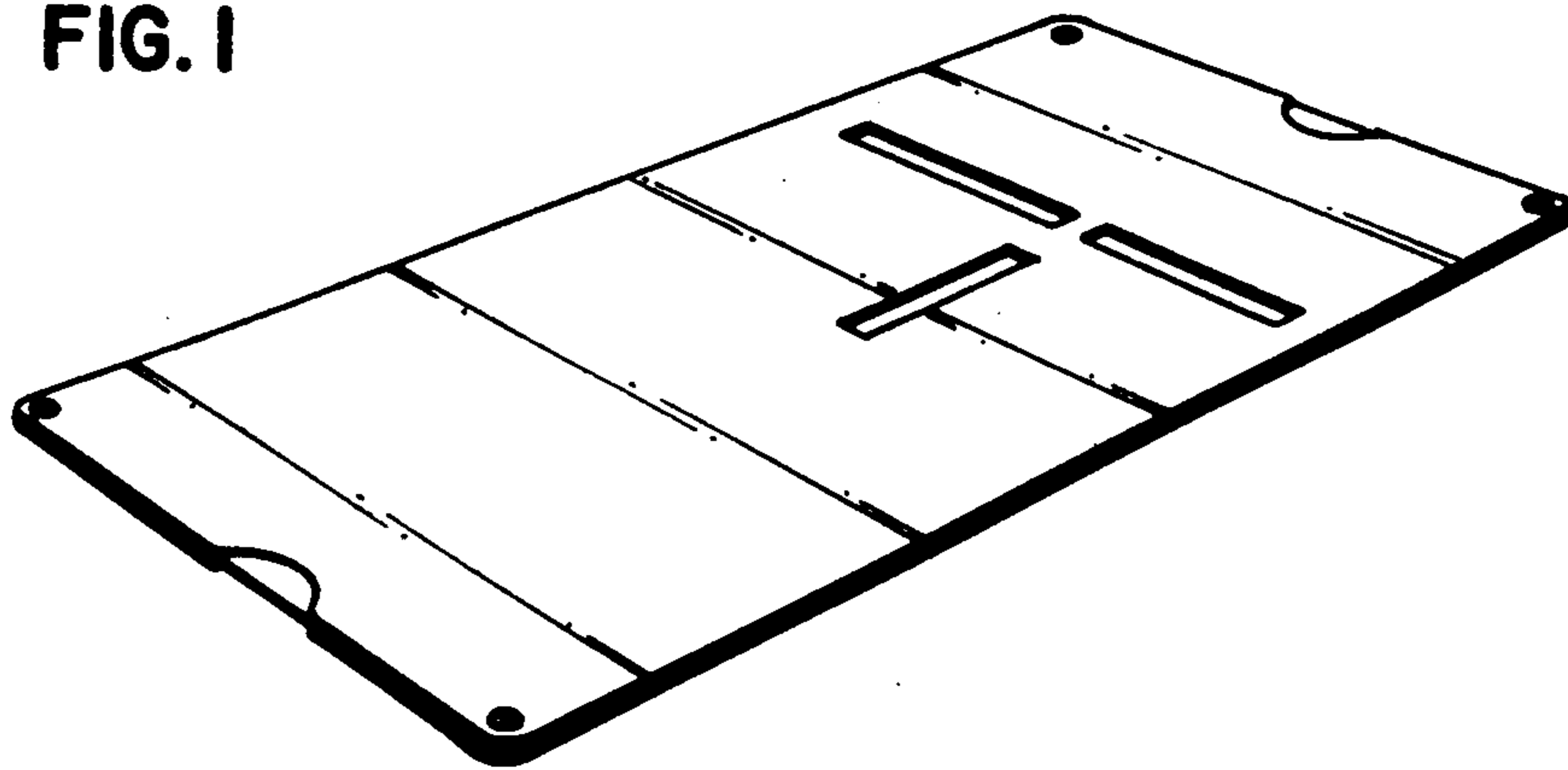


FIG. 2

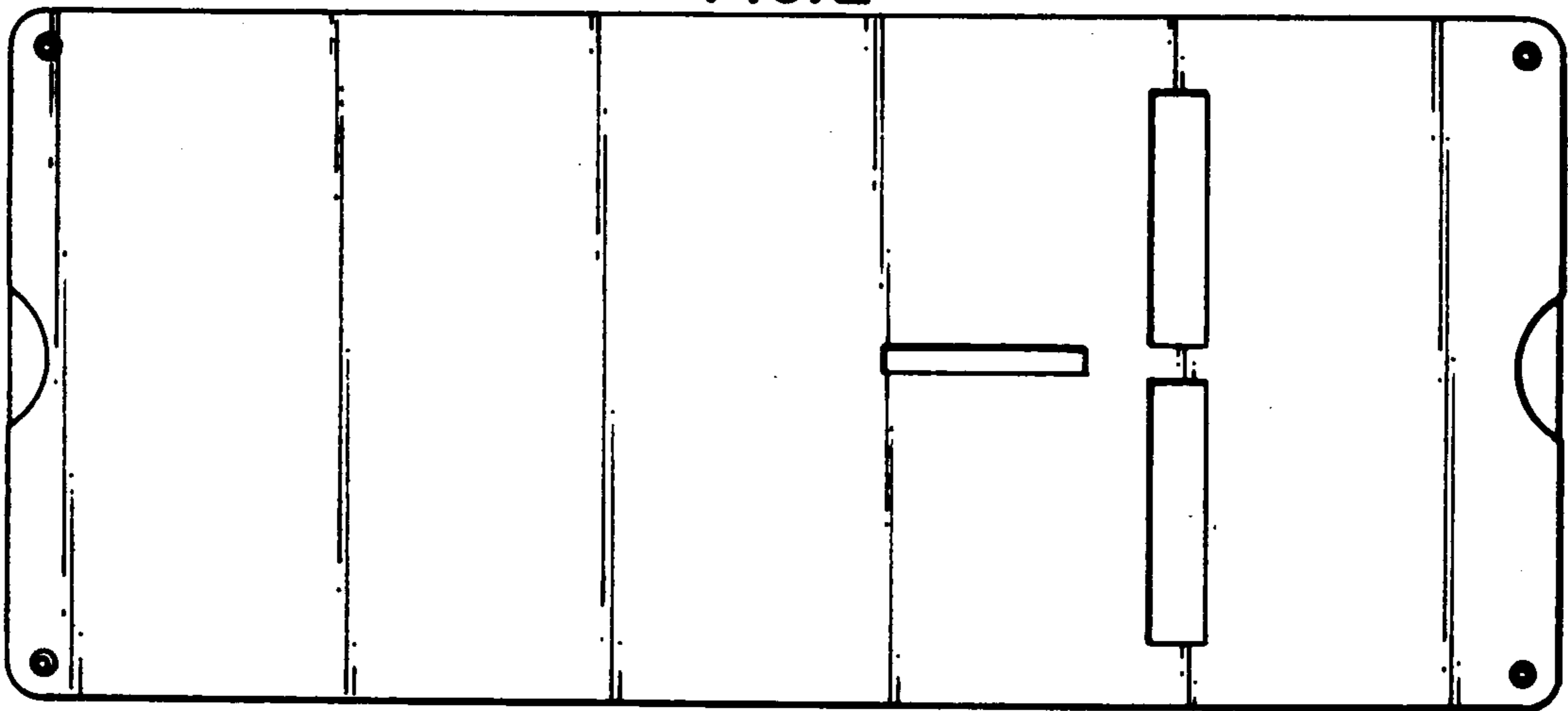


FIG. 3



FIG. 4

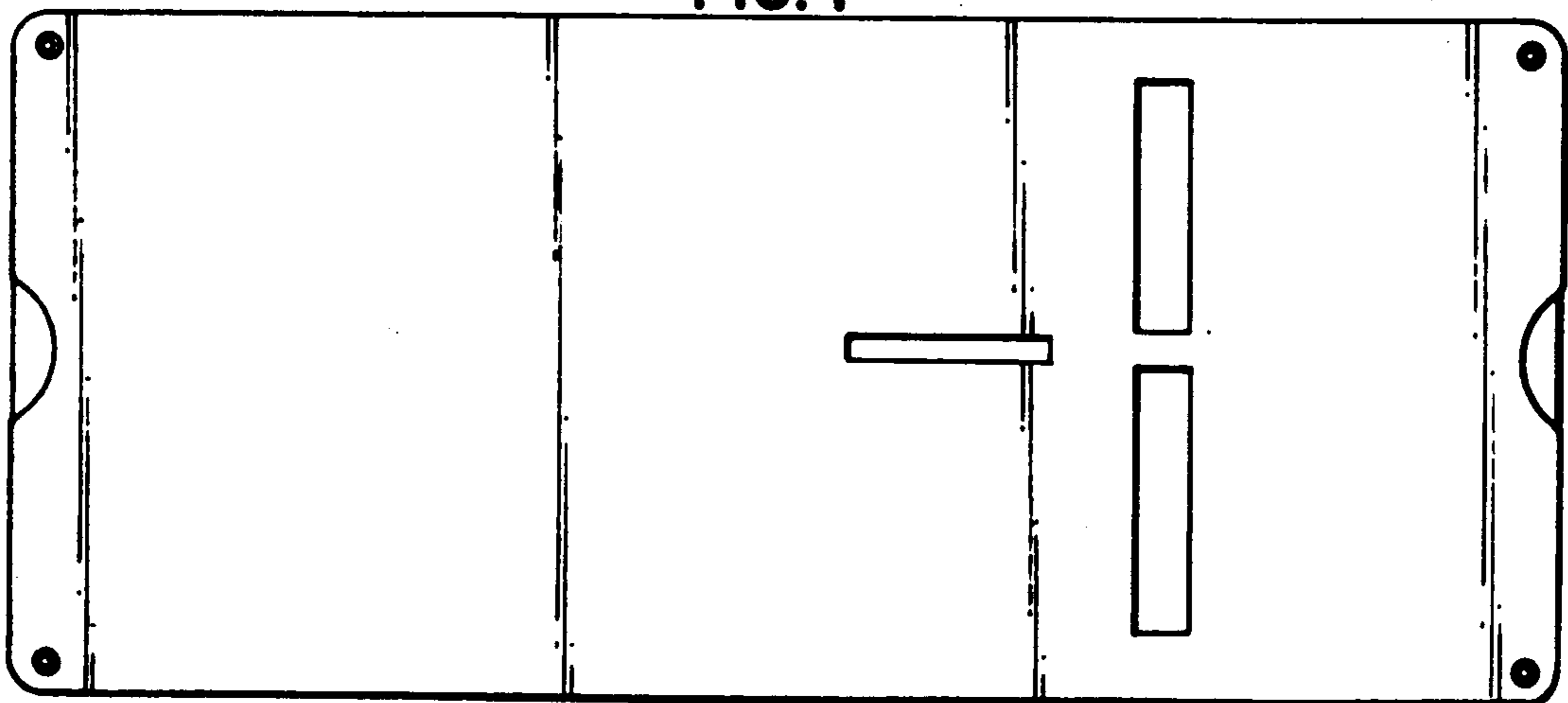


FIG. 5

