

[54] DIAL TOP-HOUSING FOR TELEPHONE HANDSET OR SIMILAR ARTICLE

[75] Inventors: Allen Wong, Streamwood; Russell Ansai, Chicago, both of Ill.

[73] Assignee: Motorola, Inc., Schaumburg, Ill.

[\*\*] Term: 14 Years

[21] Appl. No.: 448,455

[22] Filed: Dec. 11, 1989

[52] U.S. Cl. .... D14/148; D14/246; D14/247; D14/138

[58] Field of Search ..... D14/138, 147, 148, 142, D14/248; 379/58, 59, 90, 433, 440; 455/89, 90

[56] References Cited

U.S. PATENT DOCUMENTS

D. 246,043	10/1977	Taylor	.....	D14/53
D. 246,103	10/1990	Taylor	.....	D14/53
D. 248,758	8/1978	Krolopp	.....	D14/53
D. 260,518	9/1981	Larson	.....	D14/53
D. 270,835	10/1983	Taylor	.....	D14/64
D. 271,491	11/1983	Taylor	.....	D14/76
D. 286,778	11/1986	Beaumont	.....	D14/64
D. 291,199	8/1987	Watanabe	.....	D14/147

D. 292,578	11/1987	Taylor	.....	D14/62
D. 292,920	11/1987	Taylor	.....	D14/62
D. 295,973	5/1988	Nagele	.....	D14/66
D. 295,975	5/1988	Taylor et al.	.....	D14/64
D. 299,136	12/1988	Taylor	.....	D14/63
D. 299,137	12/1988	Soren et al.	.....	D14/138 X
D. 304,939	1/1989	Sutoh	.....	D14/147 X
D. 305,231	12/1989	Sutoh	.....	D14/147 X
D. 305,232	12/1989	Sutoh	.....	D14/142 X
D. 305,652	1/1990	Tejima	.....	D14/138
D. 306,293	2/1990	Nagele et al.	.....	D14/148

Primary Examiner—Horace B. Fay, Jr.

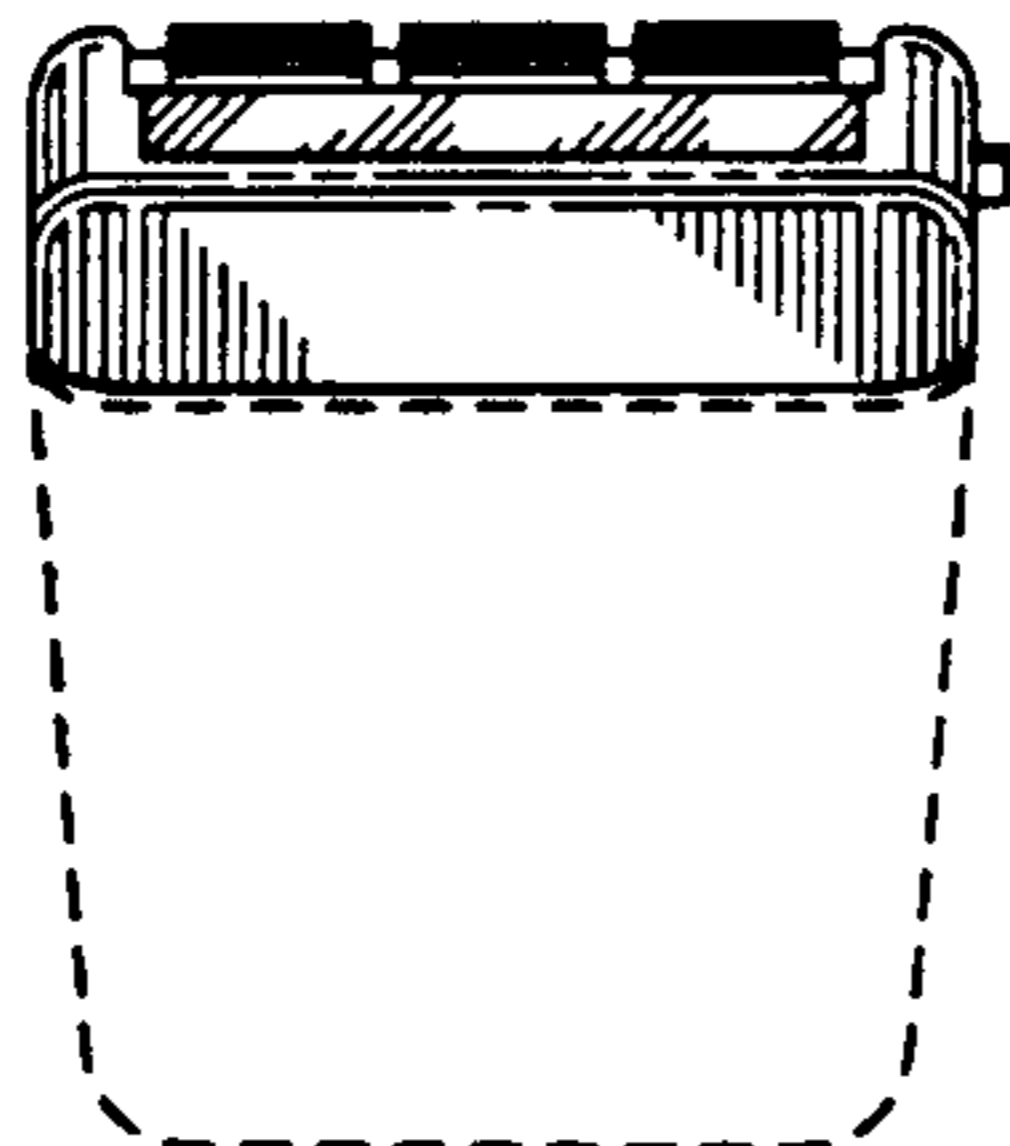
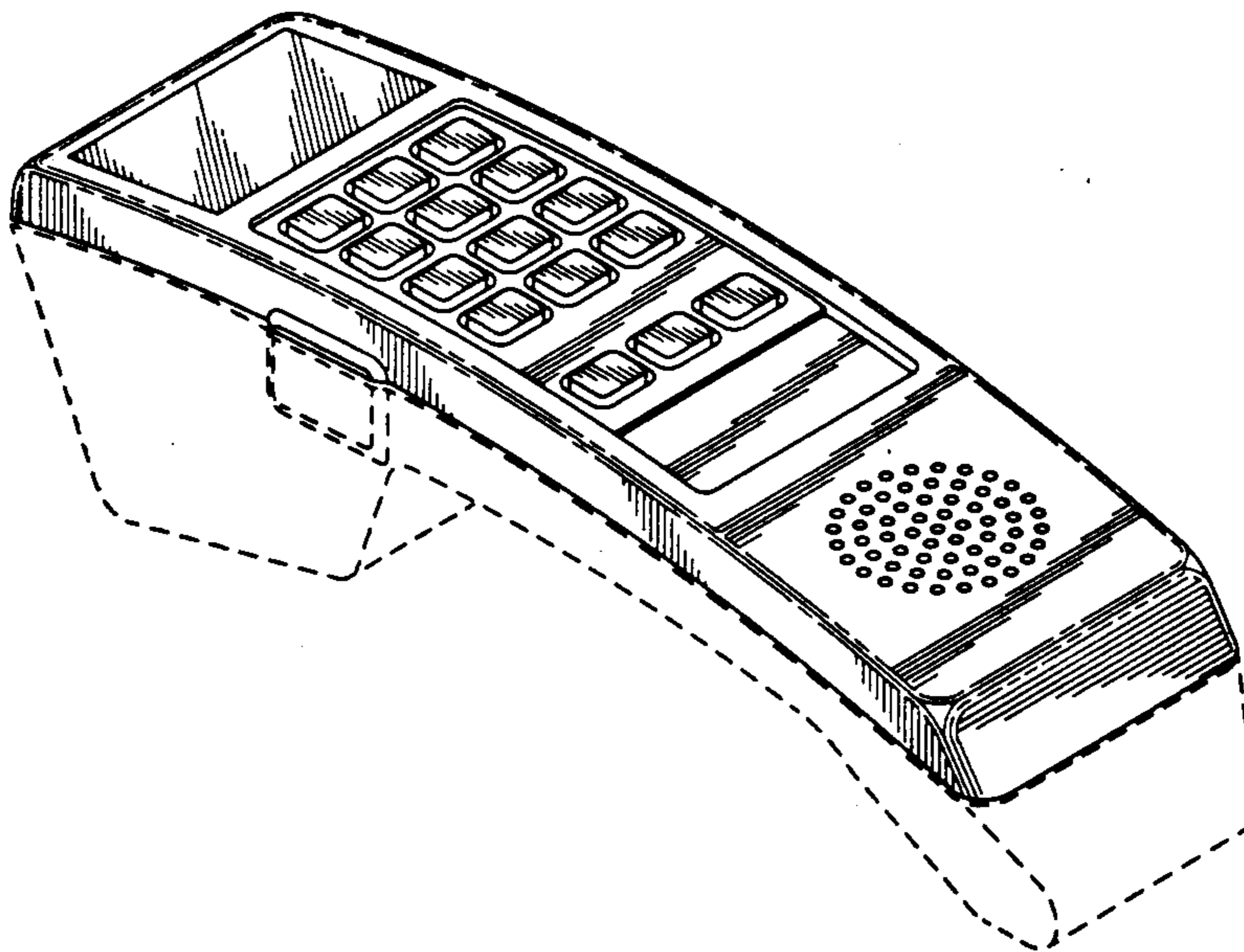
Attorney, Agent, or Firm—Rolland R. Hackbart

[57] CLAIM

The ornamental design for a dial top-housing panel for telephone handset or similar article, as shown.

DESCRIPTION

FIG. 1 is a rear, top and right side perspective view of a dial top-housing for telephone handset or similar article showing our new design; FIG. 2 is a left side elevational view thereof; and FIG. 3 is a front elevational view thereof. The broken line showing of bottom-housing panel in all figures is for illustrative purposes only and forms no part of the claimed design.



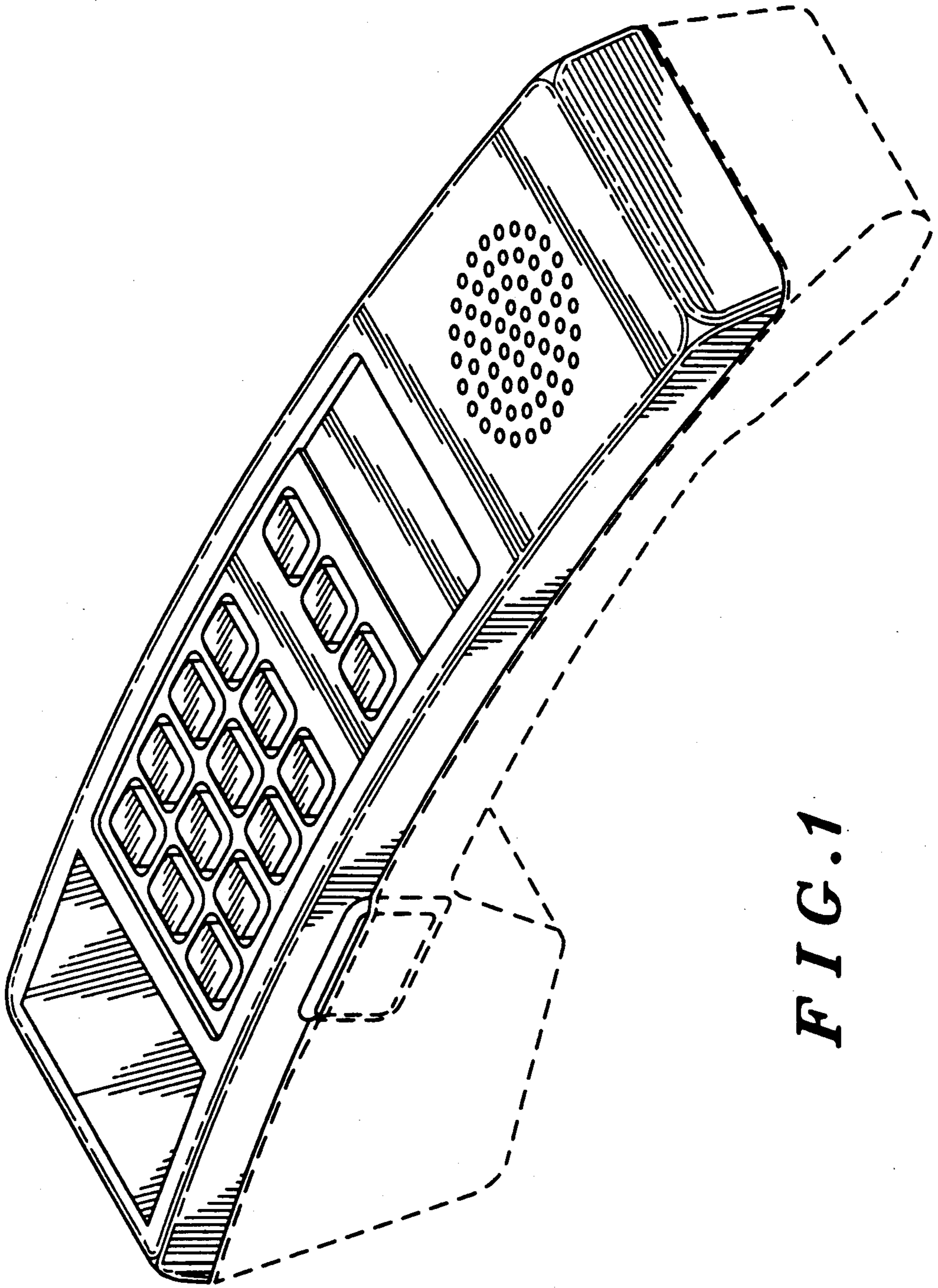
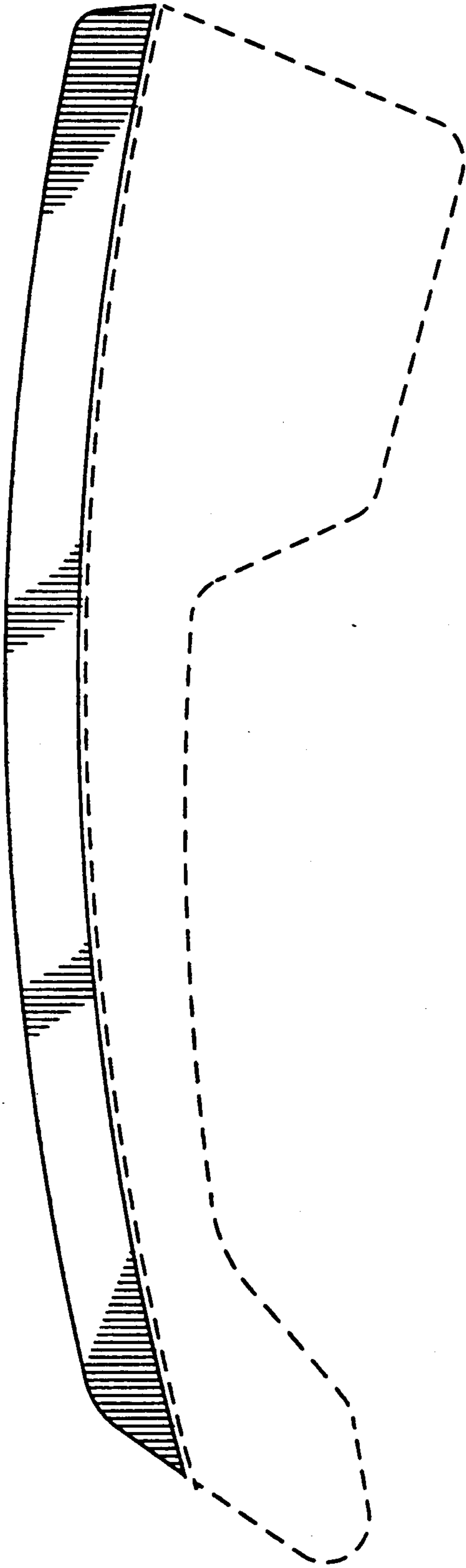


FIG. 1

*FIG. 2*



*FIG. 3*

