

[54] FIRE DETECTOR

[75] Inventors: Hideto Amemiya; Takashi Suzuki, both of Tokyo, Japan

[73] Assignee: Nittan Company, Limited, Tokyo, Japan

[**] Term: 14 Years

[21] Appl. No.: 203,028

[22] Filed: Jun. 6, 1988

[52] U.S. Cl. D10/106

[58] Field of Search D10/104, 106; 340/693, 340/628, 629, 630, 631

[56] References Cited

U.S. PATENT DOCUMENTS

- D. 204,916 5/1966 Blevins D10/106
- D. 238,057 12/1975 Pearsall et al. D10/106

D. 293,089 12/1987 Lederer D10/106

Primary Examiner—James M. Gandy
Assistant Examiner—Marcus Jackson
Attorney, Agent, or Firm—Sughrue, Mion, Zinn, Macpeak & Seas

[57] CLAIM

The ornamental design for a fire detector, as shown and described.

DESCRIPTION

FIG. 1 is a perspective view of a fire detector showing our new design;
FIG. 2 is a front elevational view thereof;
FIG. 3 is a rear elevational view thereof;
FIG. 4 is a top plan view thereof;
FIG. 5 is a bottom plan view thereof;
FIG. 6 is a left side elevational view thereof;
FIG. 7 is a right side elevational view thereof.

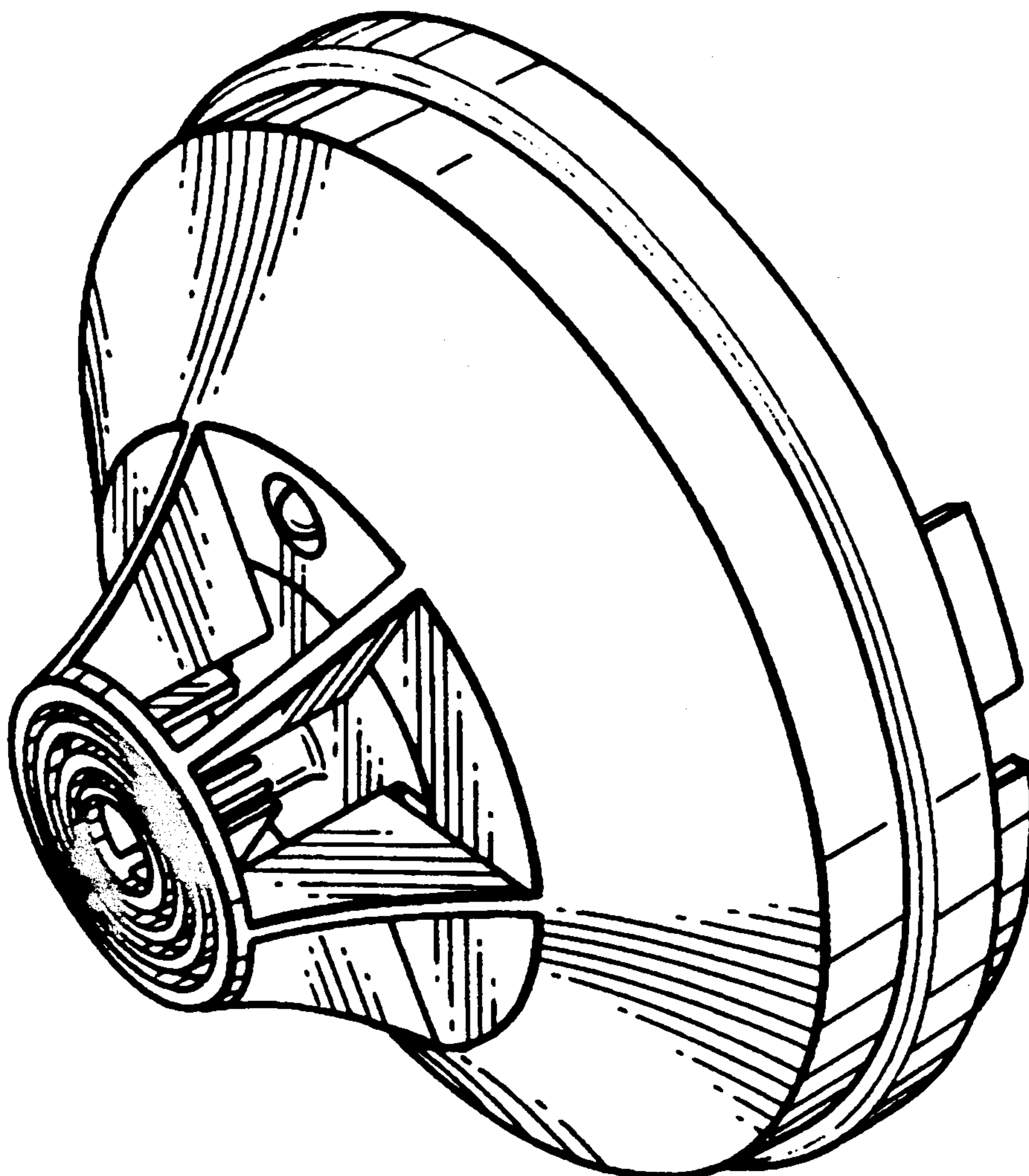


Fig. 1

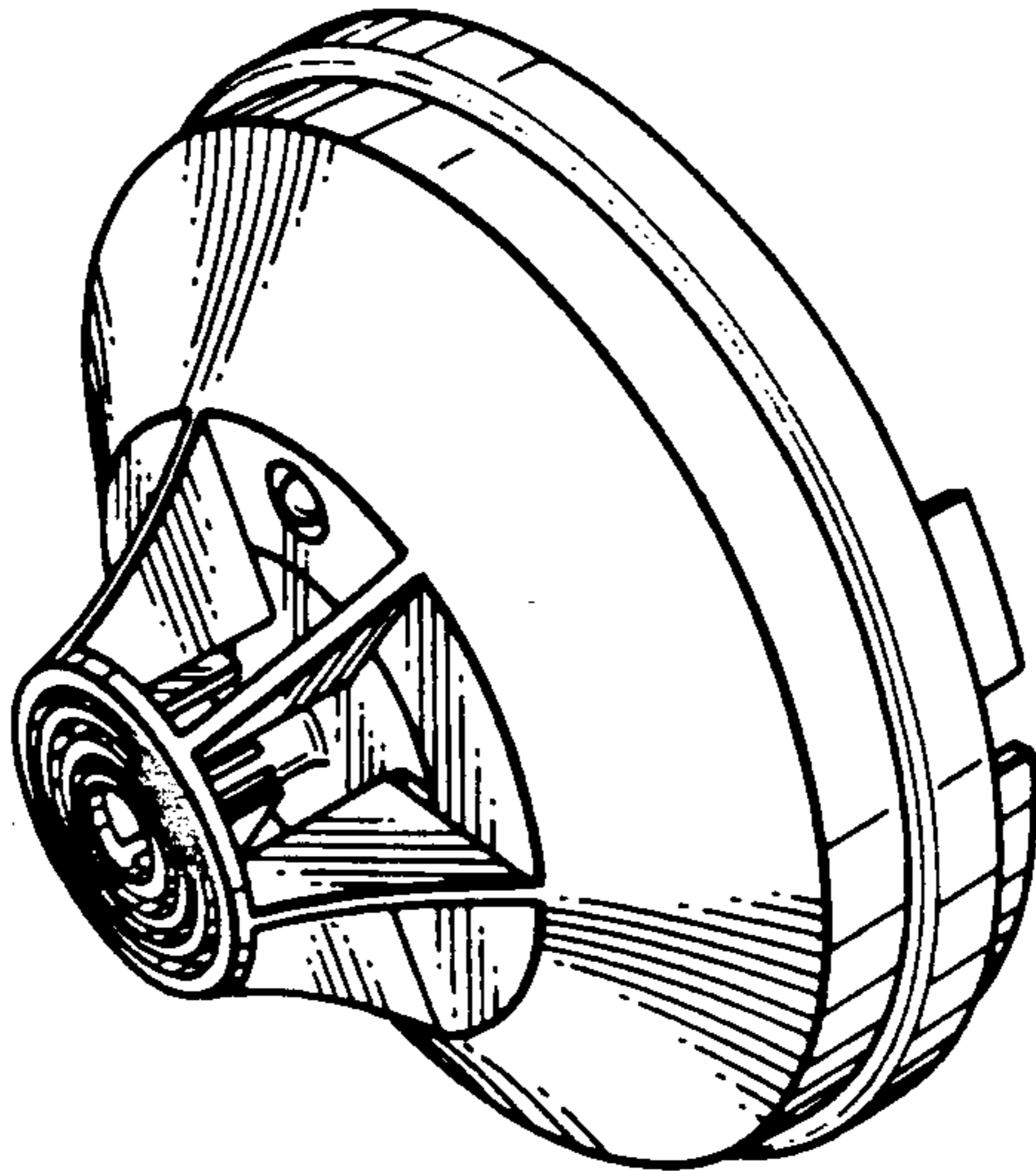


Fig. 2

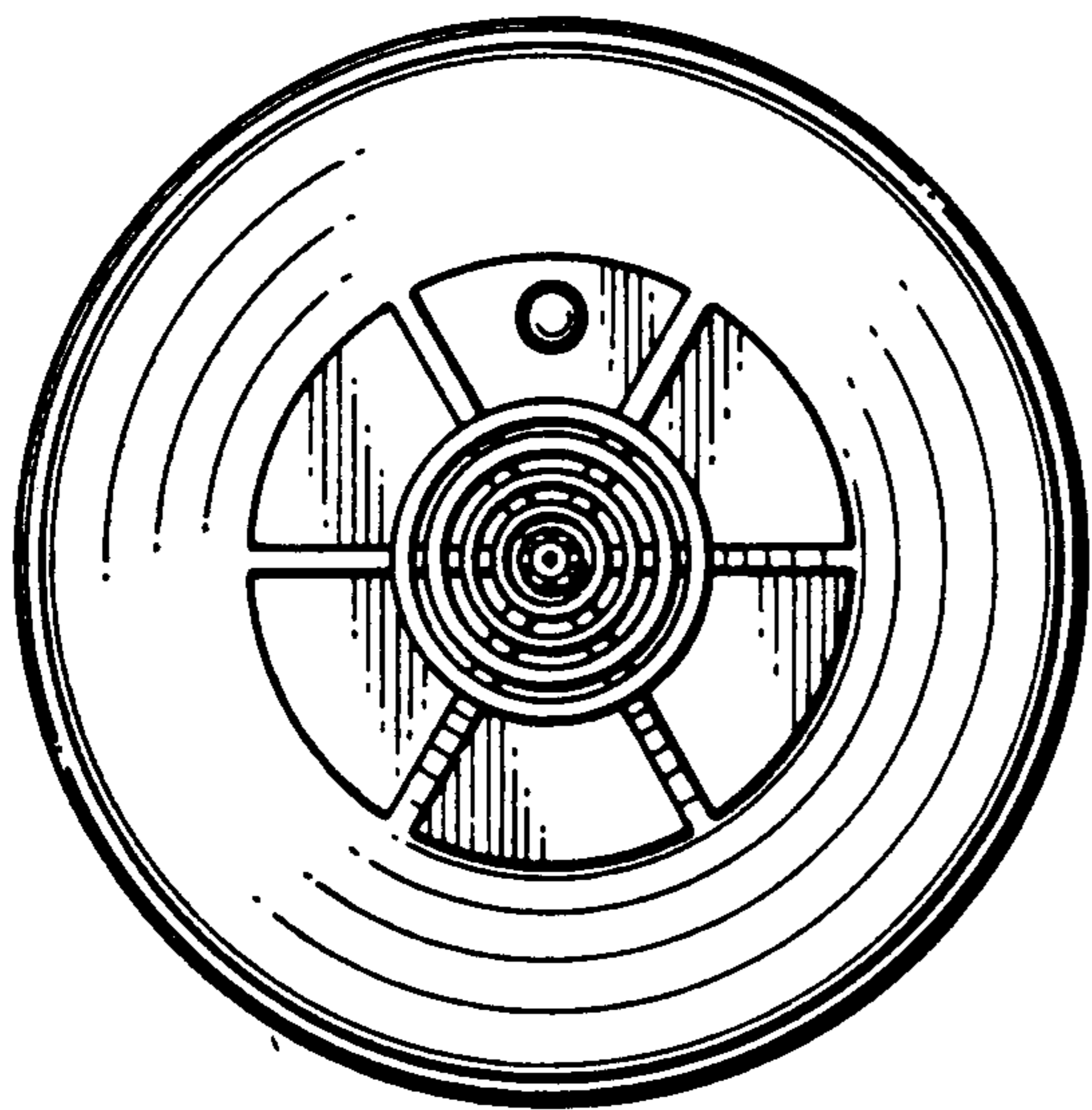


Fig. 3

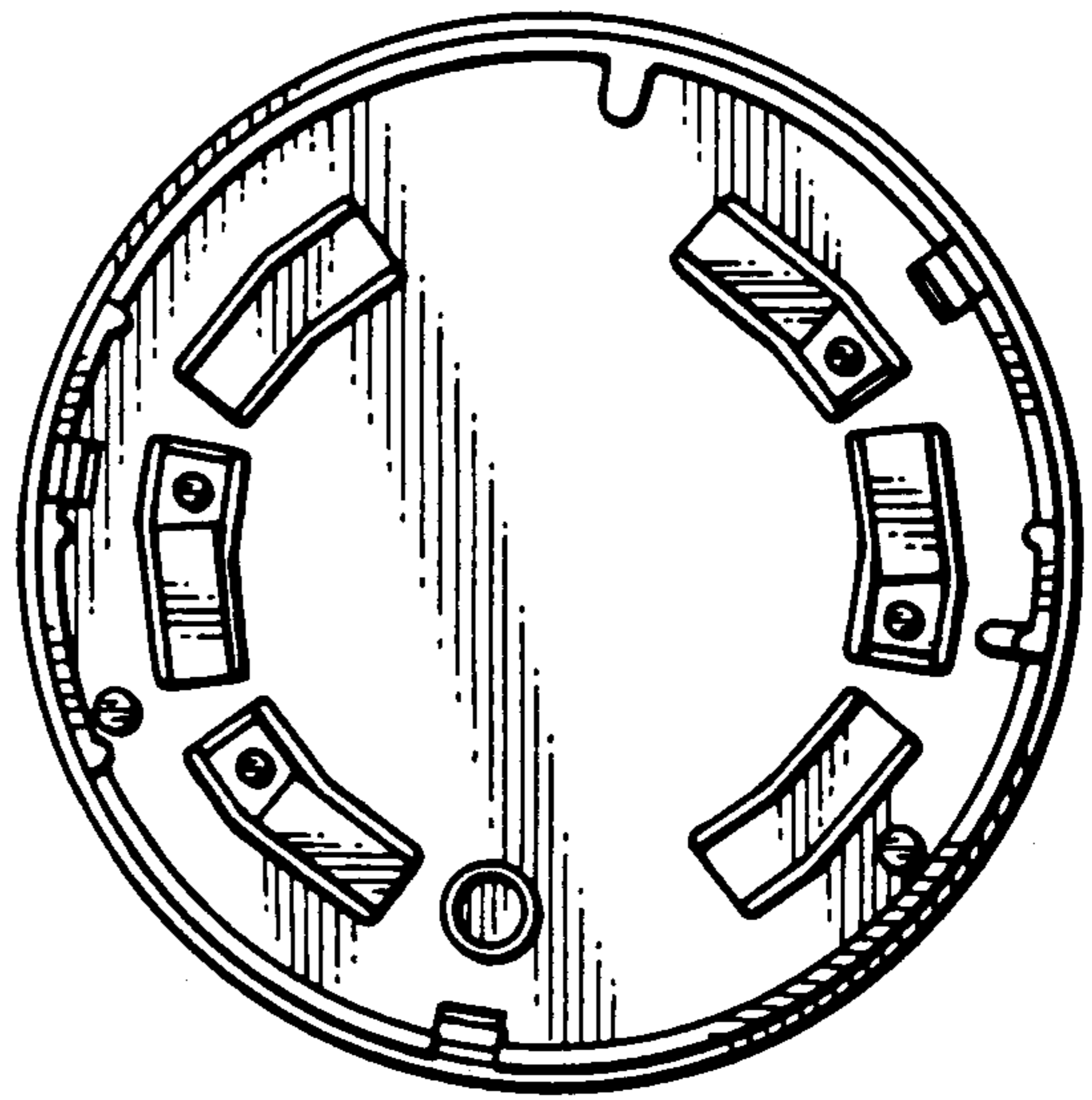


Fig. 4

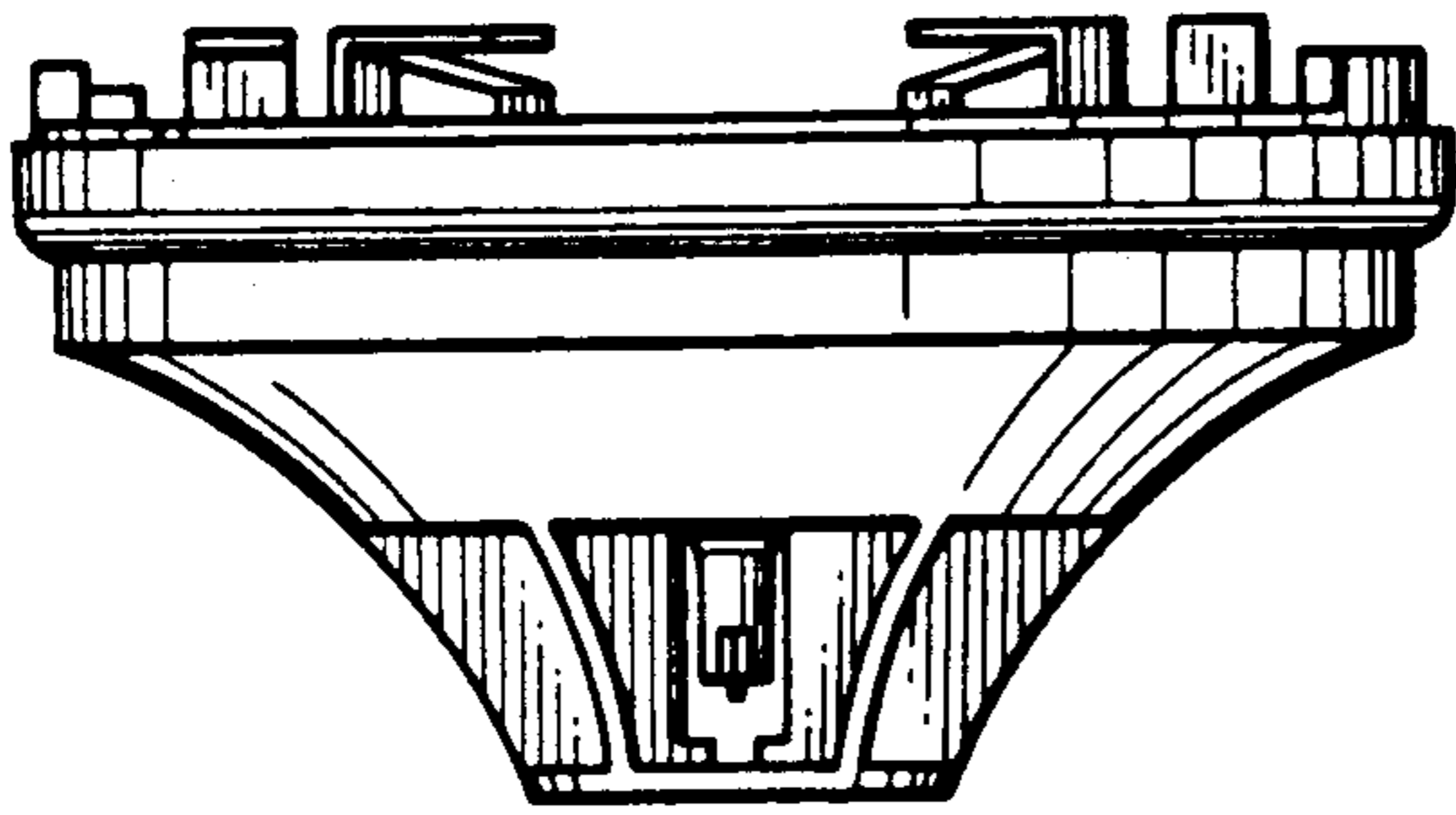


Fig. 5

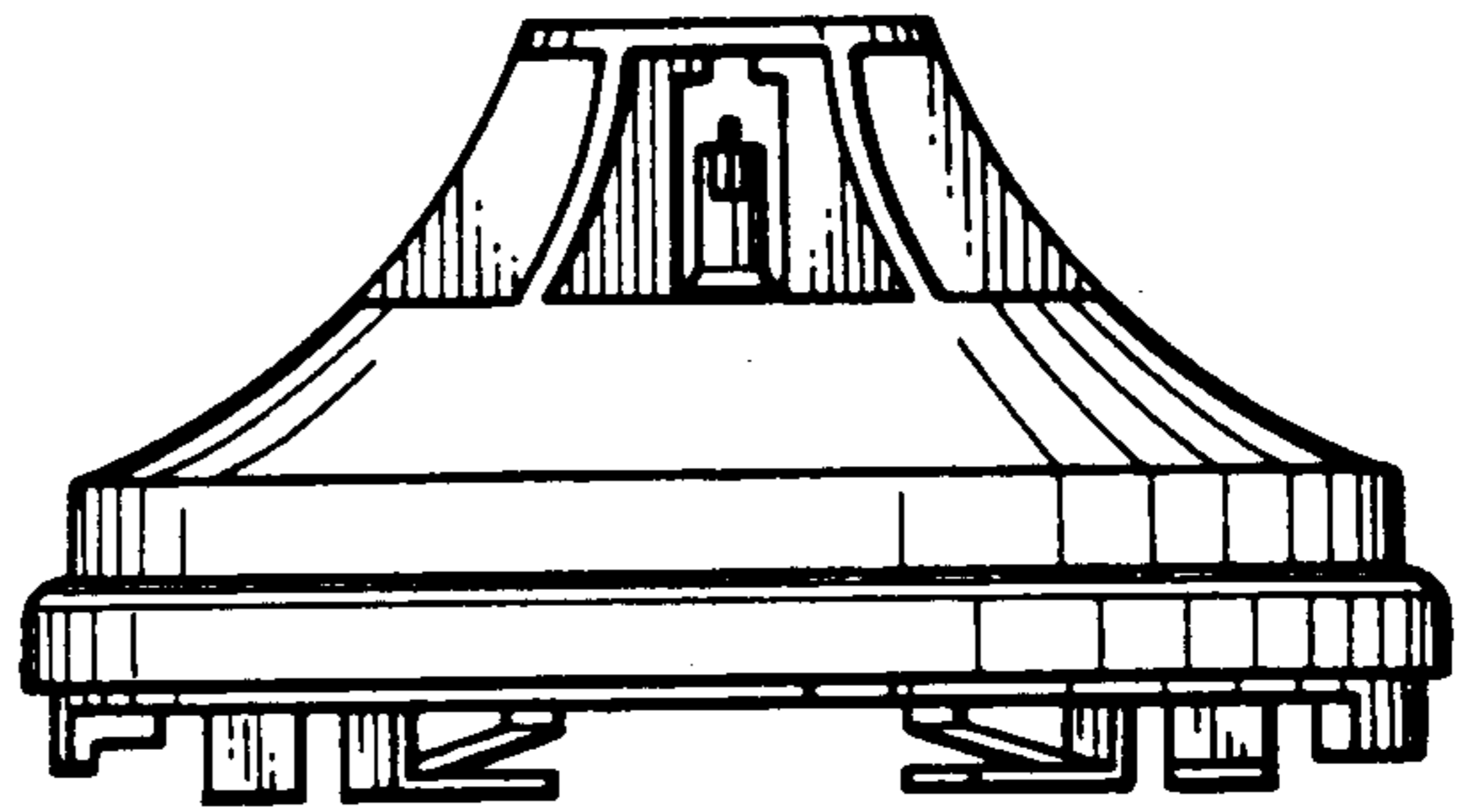


Fig. 6

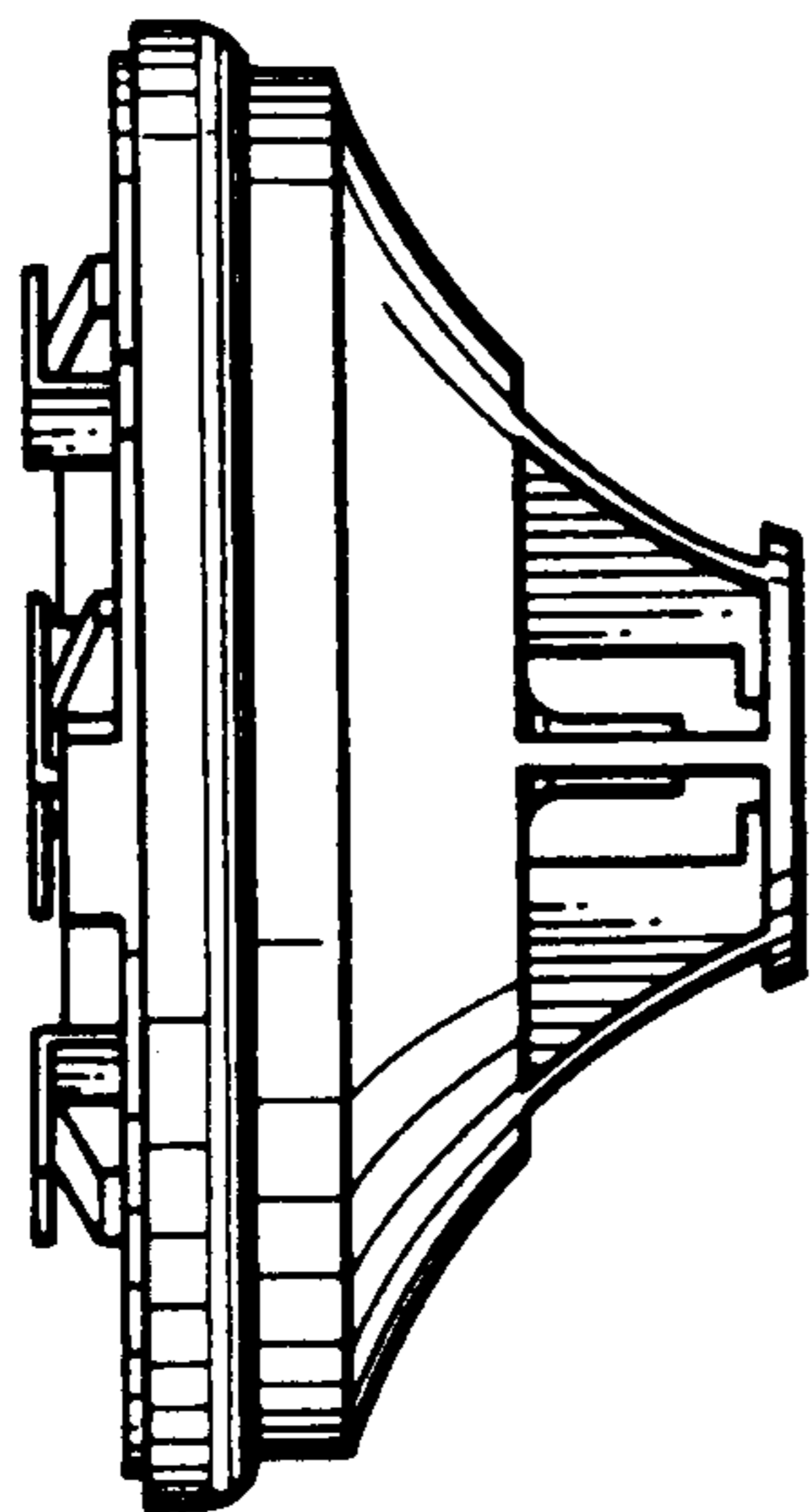


Fig. 7

