

[54] SLIDING PATIO DOOR HANDLE

[75] Inventors: Gary F. Paulson, Waseca; Thomas A. Clouthier, Faribault, both of Minn.

[73] Assignee: Truth Incorporated, Owatonna, Minn.

[**] Term: 14 Years

[21] Appl. No.: 302,739

[22] Filed: Jan. 27, 1989

[52] U.S. Cl. D8/319; D8/320

[58] Field of Search 88/315, 319, 320; 16/110 R, 111 R; 292/DIG. 46

[56] References Cited

U.S. PATENT DOCUMENTS

D. 72,725	5/1927	Rosenthal .	
D. 176,085	11/1955	Stone	D8/319
D. 196,563	10/1963	Clayton	D8/319
D. 199,612	11/1964	Foster	D8/319
D. 297,505	9/1988	Mosch	D8/317

OTHER PUBLICATIONS

An unnumbered page from an undated catalog of Marks Hardware, Inc.

An undated catalog page of R. S. Schaefer.

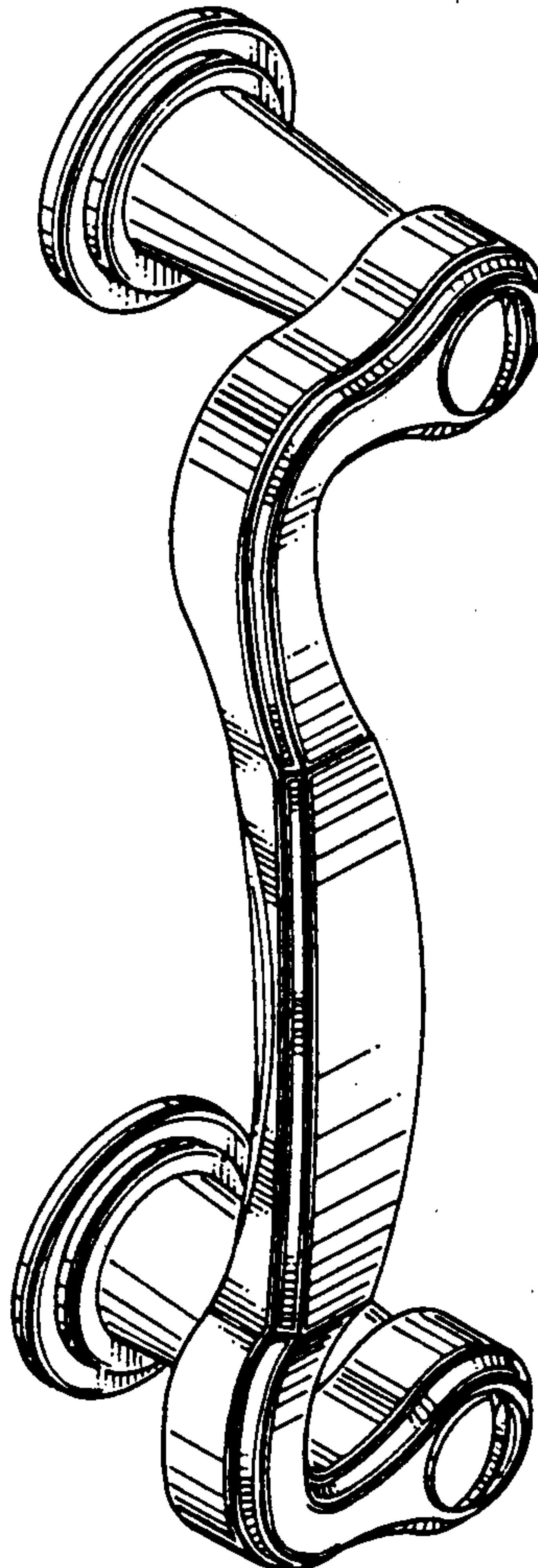
Primary Examiner—B. J. Bullock
Attorney, Agent, or Firm—Wood, Phillips, Mason, Recktenwald & VanSanten

[57] CLAIM

The ornamental design for a sliding patio door handle, as shown.

DESCRIPTION

FIG. 1 is a perspective view of a sliding patio door handle showing our new design;
FIG. 2 is a top view, the bottom being a mirror image;
FIG. 3 is a left end view;
FIG. 4 is a front view;
FIG. 5 is a right end view;
FIG. 6 is a rear view;
FIG. 7 is a sectional view taken in the direction of the arrows on line 7—7 in FIG. 4;
FIG. 8 is a sectional view taken in the direction of the arrows on line 8—8 in FIG. 4.



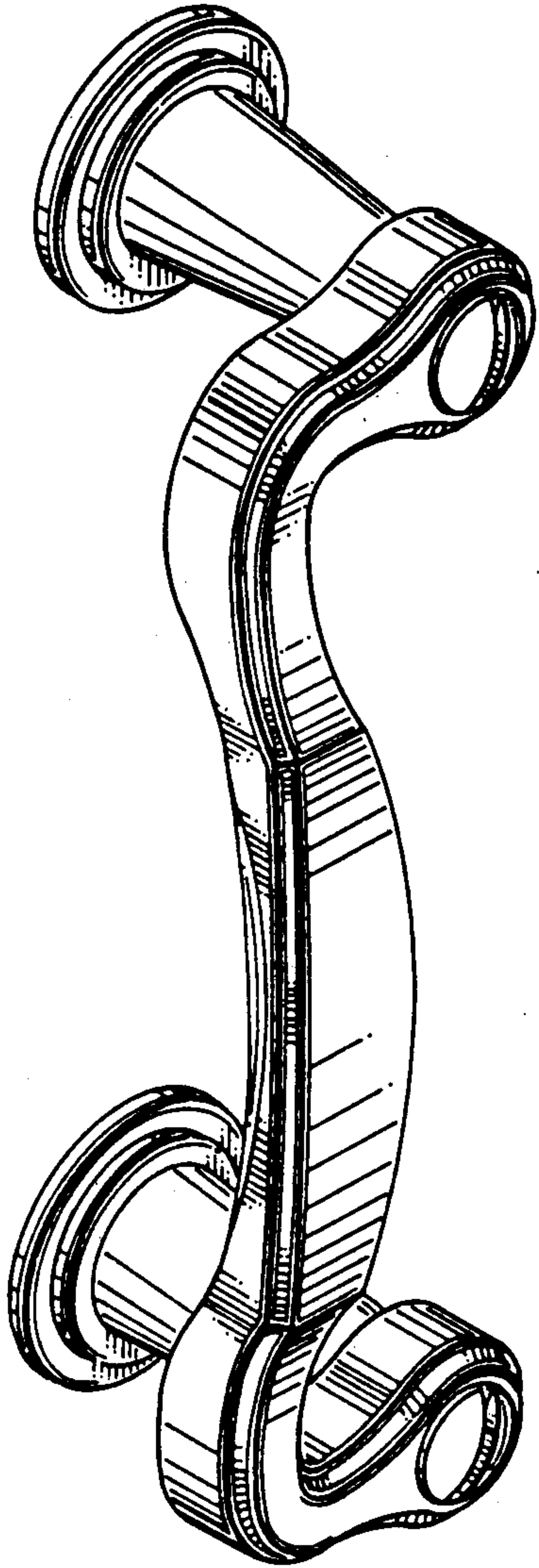


FIG. 1

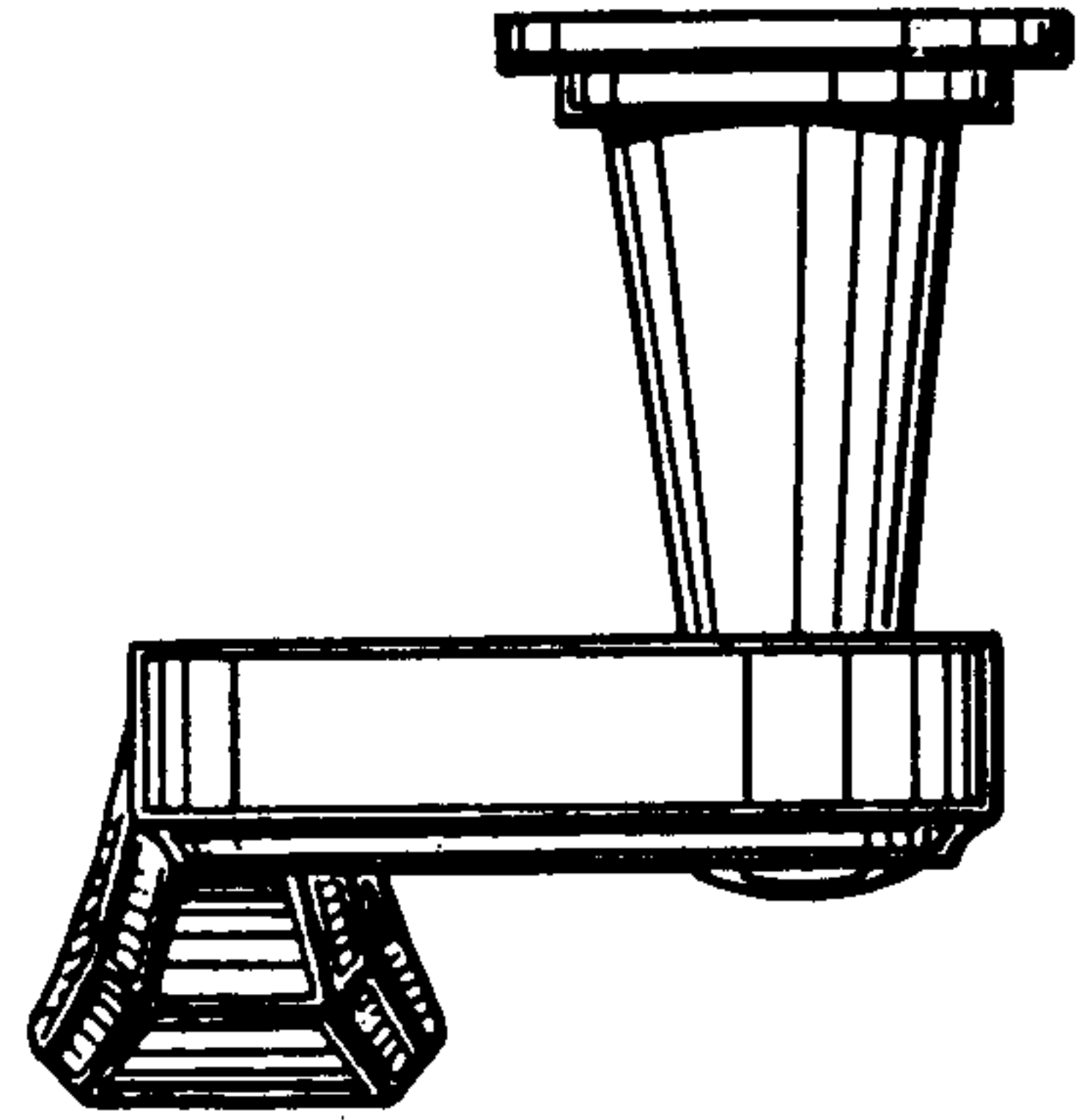


FIG. 2

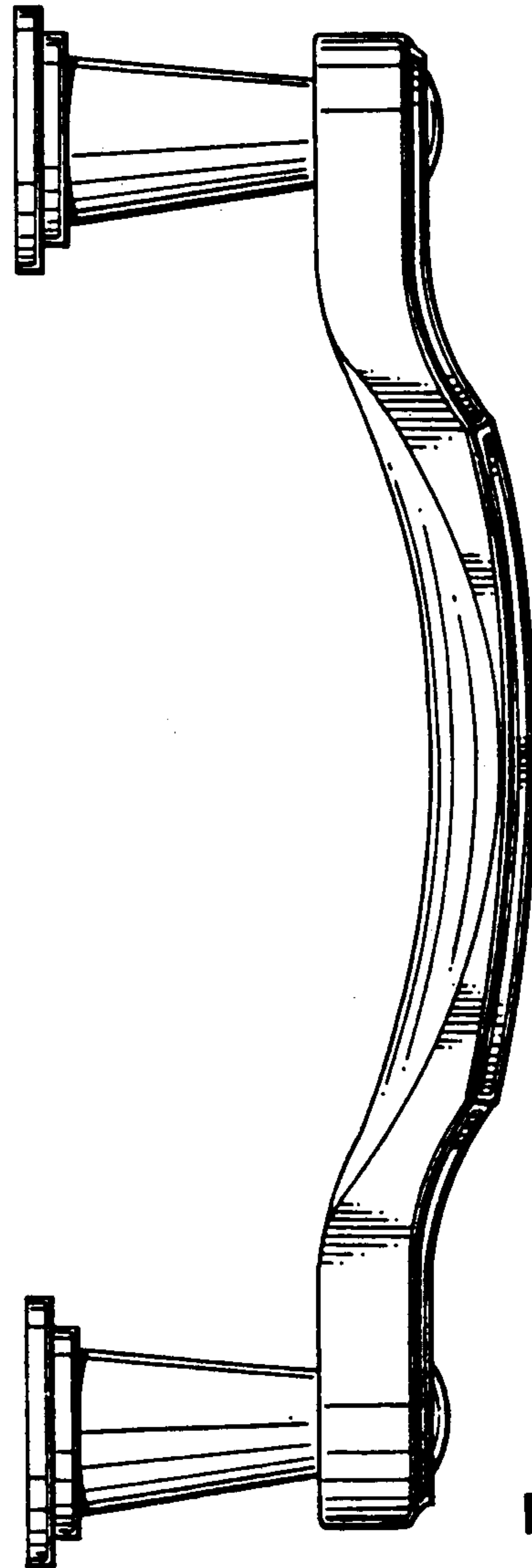


FIG. 3

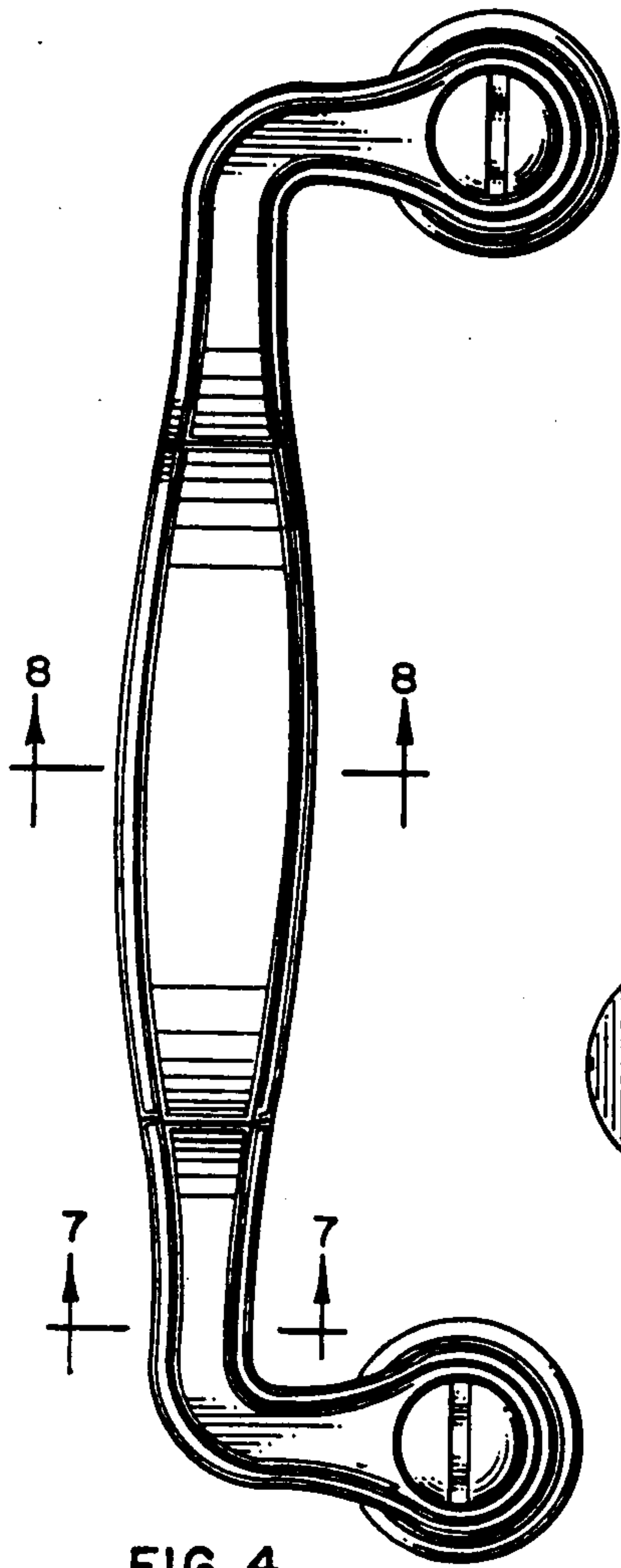


FIG. 4

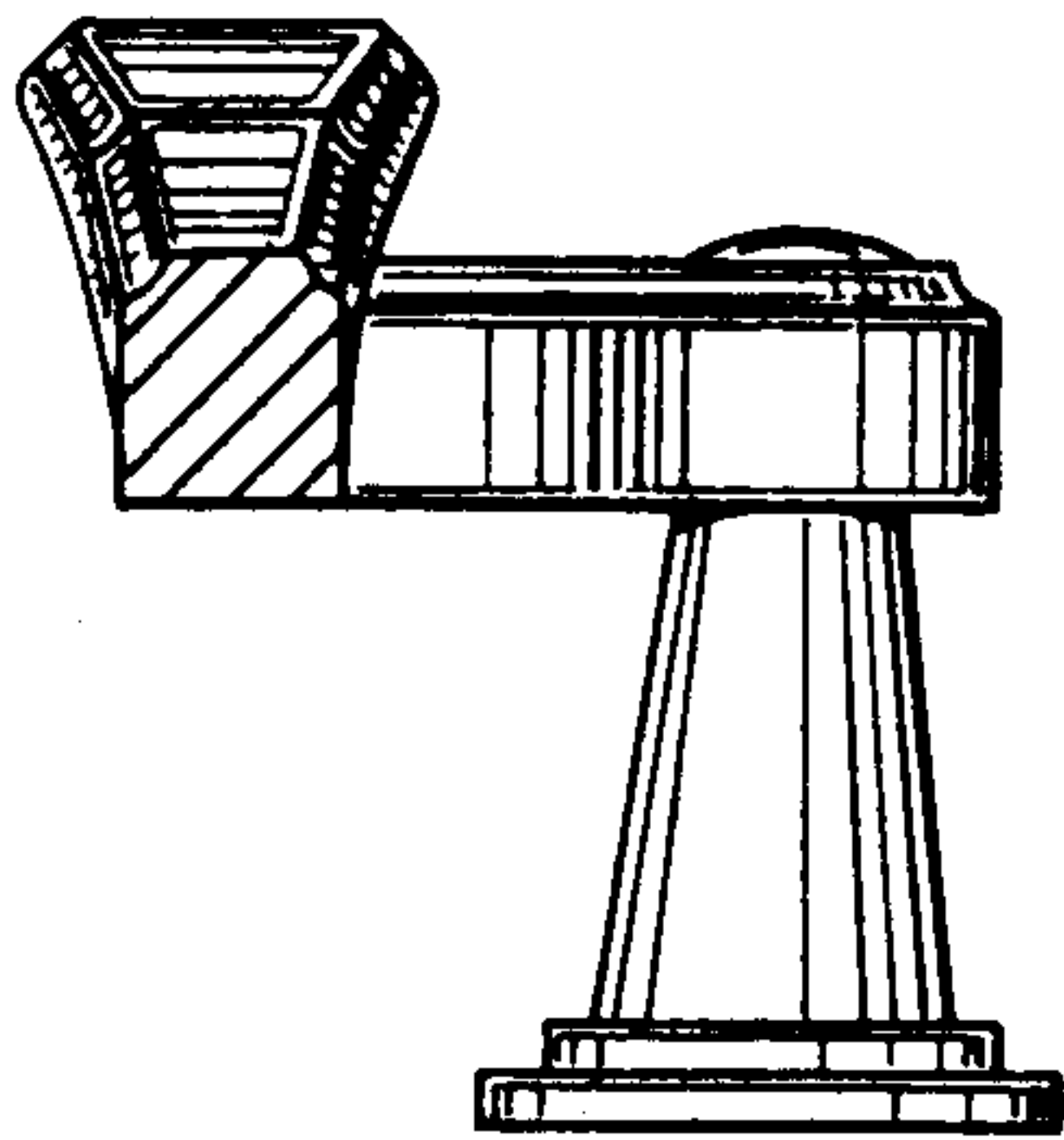


FIG. 7

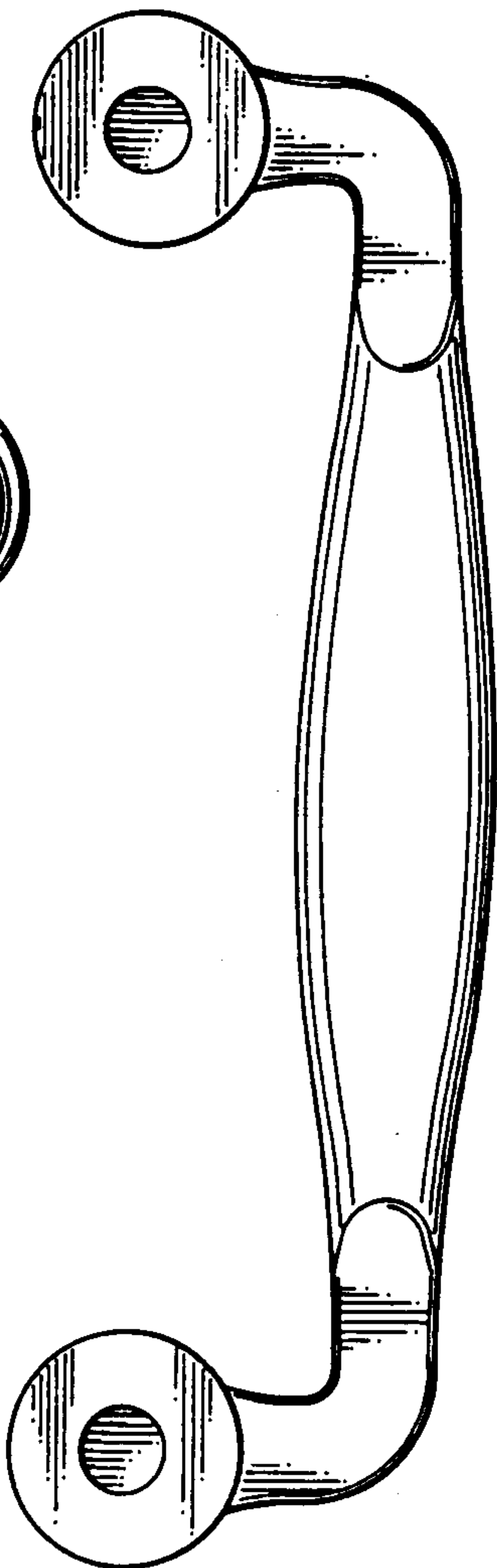


FIG. 6

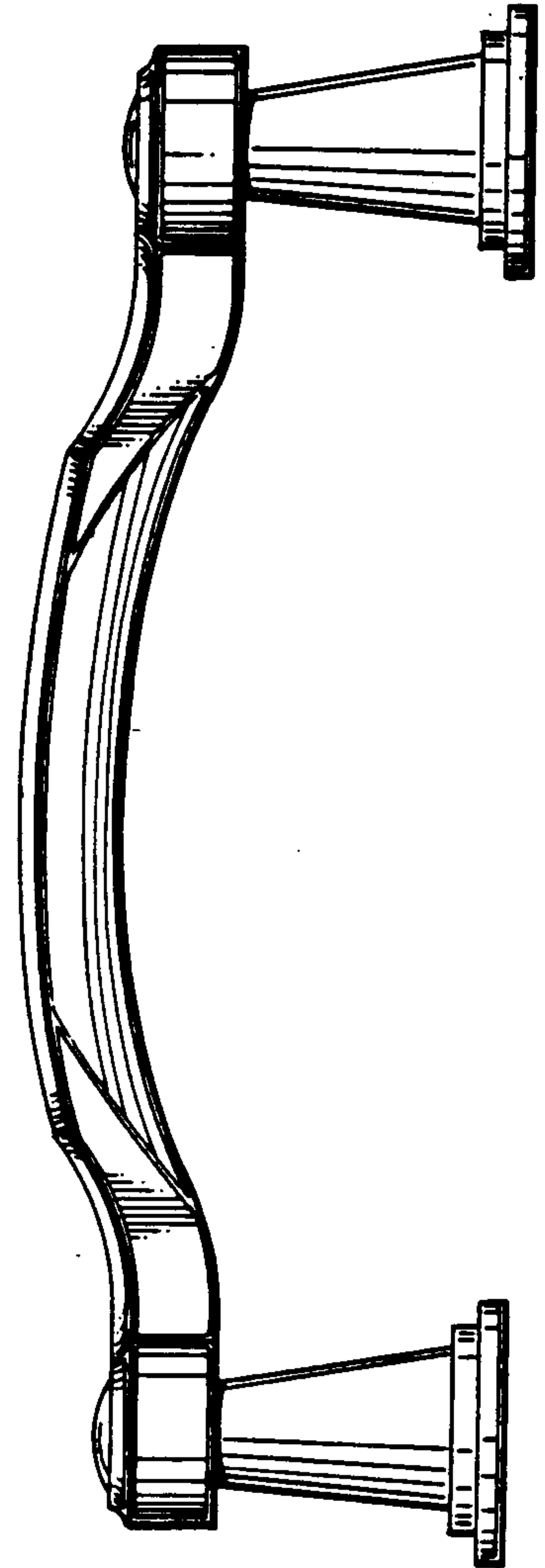


FIG. 5

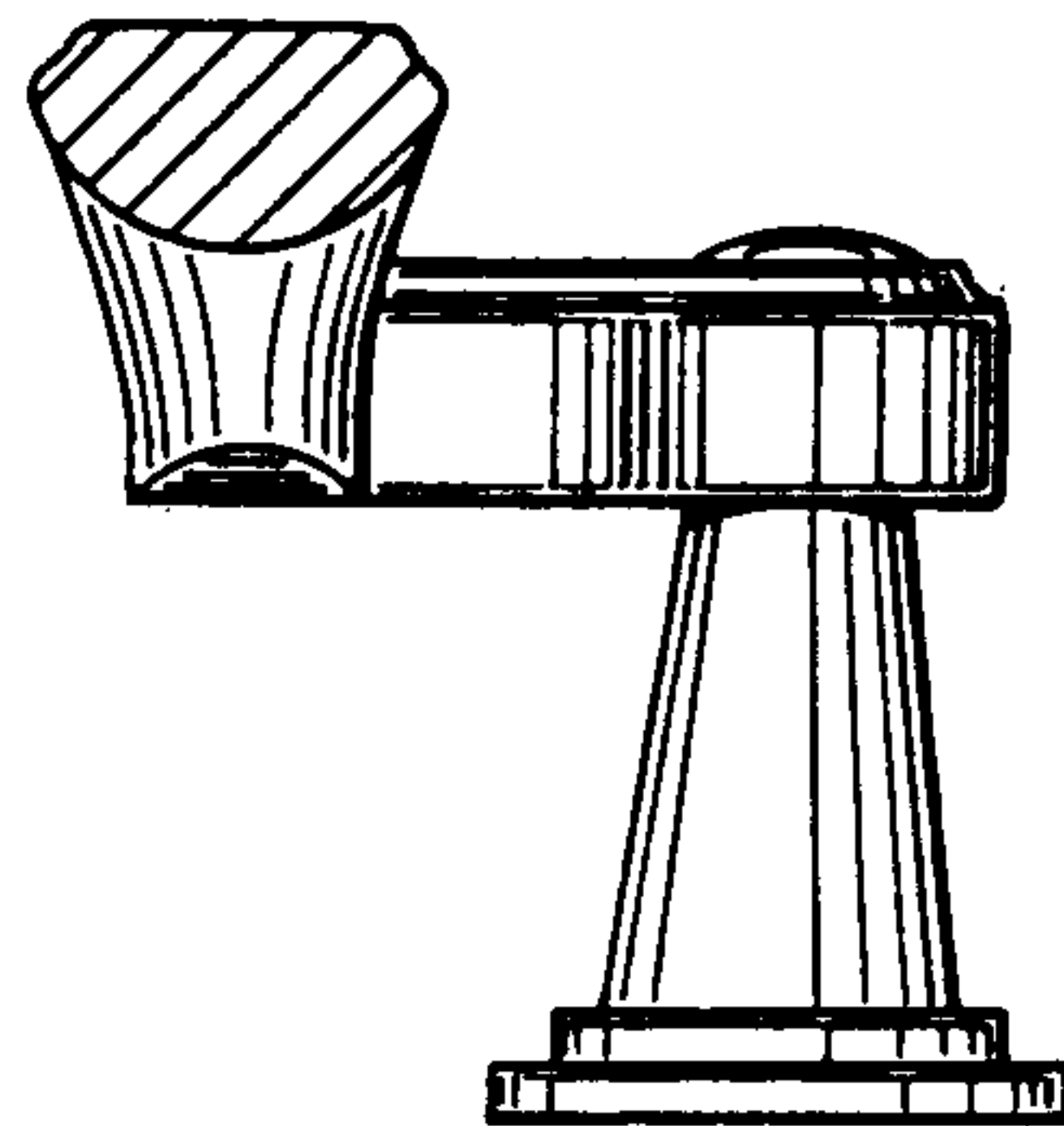


FIG. 8

UNITED STATES PATENT AND TRADEMARK OFFICE
CERTIFICATE OF CORRECTION

PATENT NO. : Des. 316,807

DATED : May 14, 1991

INVENTOR(S) : Gary F. Paulson and Thomas A. Cloutier

It is certified that error appears in the above-identified patent and that said Letters Patent is hereby corrected as shown below:

TITLE PAGE:

Column 1, at [75], delete "Clouthier" and substitute therefor
--Cloutier--.

**Signed and Sealed this
Twenty-second Day of September, 1992**

Attest:

DOUGLAS B. COMER

Attesting Officer

Acting Commissioner of Patents and Trademarks