

[54] TILER'S TOOL

[75] Inventor: Anthony I. Newman, Cheshire, England

[73] Assignee: Swordfish Systems Limited, Cheshire, England

[**] Term: 14 Years

[21] Appl. No.: 239,416

[22] Filed: Sep. 1, 1988

[30] Foreign Application Priority Data

Mar. 5, 1988 [GB] United Kingdom 1048998

[52] U.S. Cl. D8/105

[58] Field of Search D8/10, 105, 107; 7/105, 7/137, 158

[56] References Cited

U.S. PATENT DOCUMENTS

2,060,415 11/1936 Helgason 7/105 X
3,209,623 10/1965 Shumaker 7/158 X

3,239,855 3/1966 Lhomme et al. 7/158 X
3,299,505 1/1967 Pionek 7/158 X
4,306,323 12/1981 Poore 7/105

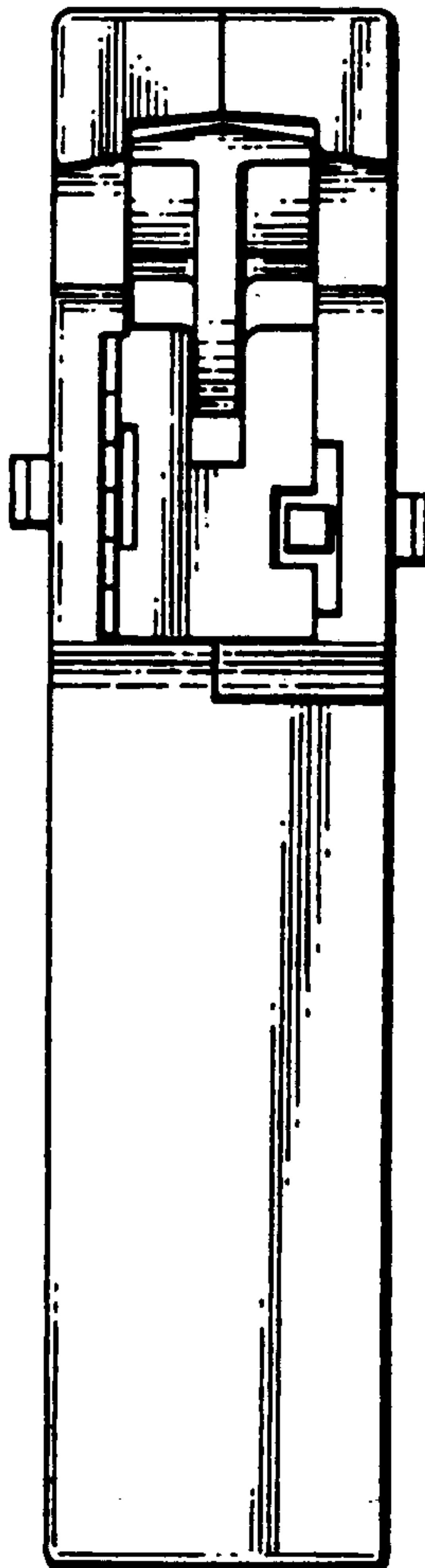
Primary Examiner—Bruce W. Dunkins
Assistant Examiner—M. Hannon
Attorney, Agent, or Firm—Charles E. Baxley

[57] CLAIM

The ornamental design for a tiler's tool, as shown and described.

DESCRIPTION

FIG. 1 is a front elevational view of a tiler's tool showing my new design;
FIG. 2 is a rear elevational view thereof;
FIG. 3 is a side elevational view thereof;
FIG. 4 is a bottom plan view thereof;
FIG. 5 is an elevational view showing the side that opposite in FIG. 3;
FIG. 6 is a top plan view thereof; and
FIG. 7 is a side elevational view of a tiler's tool showing the handle thereof in a raised position.



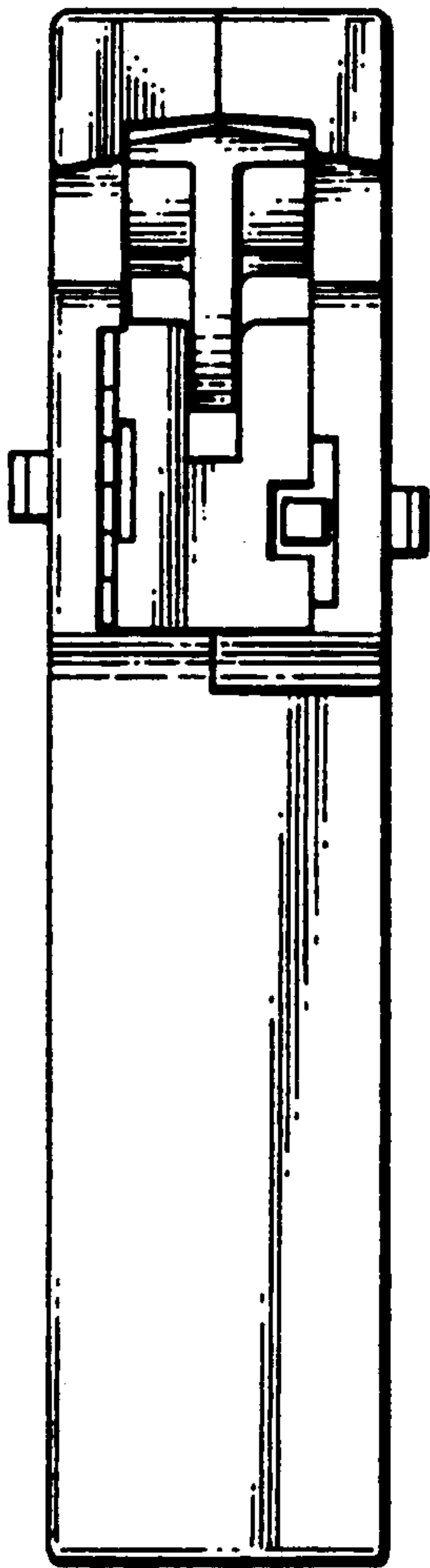


FIG. 1

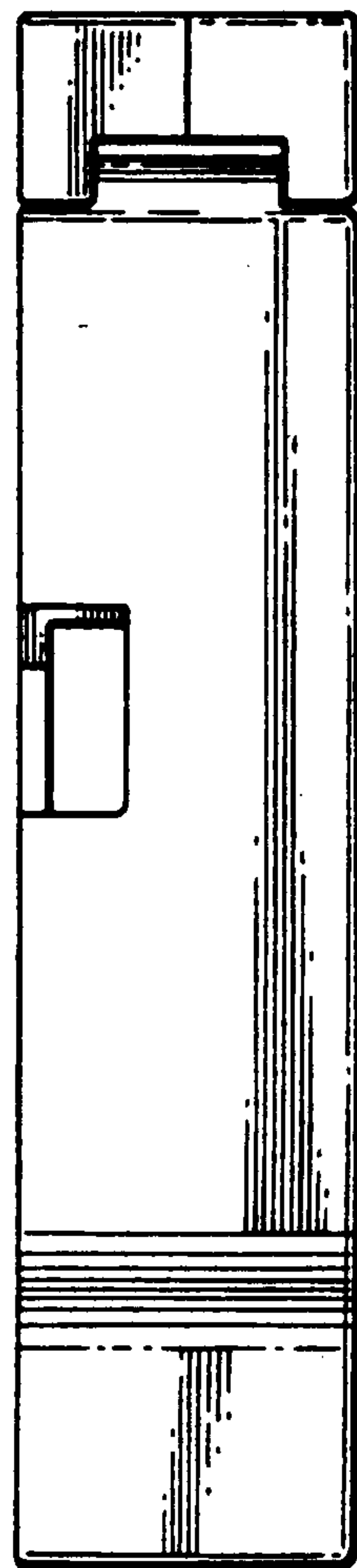


FIG. 2

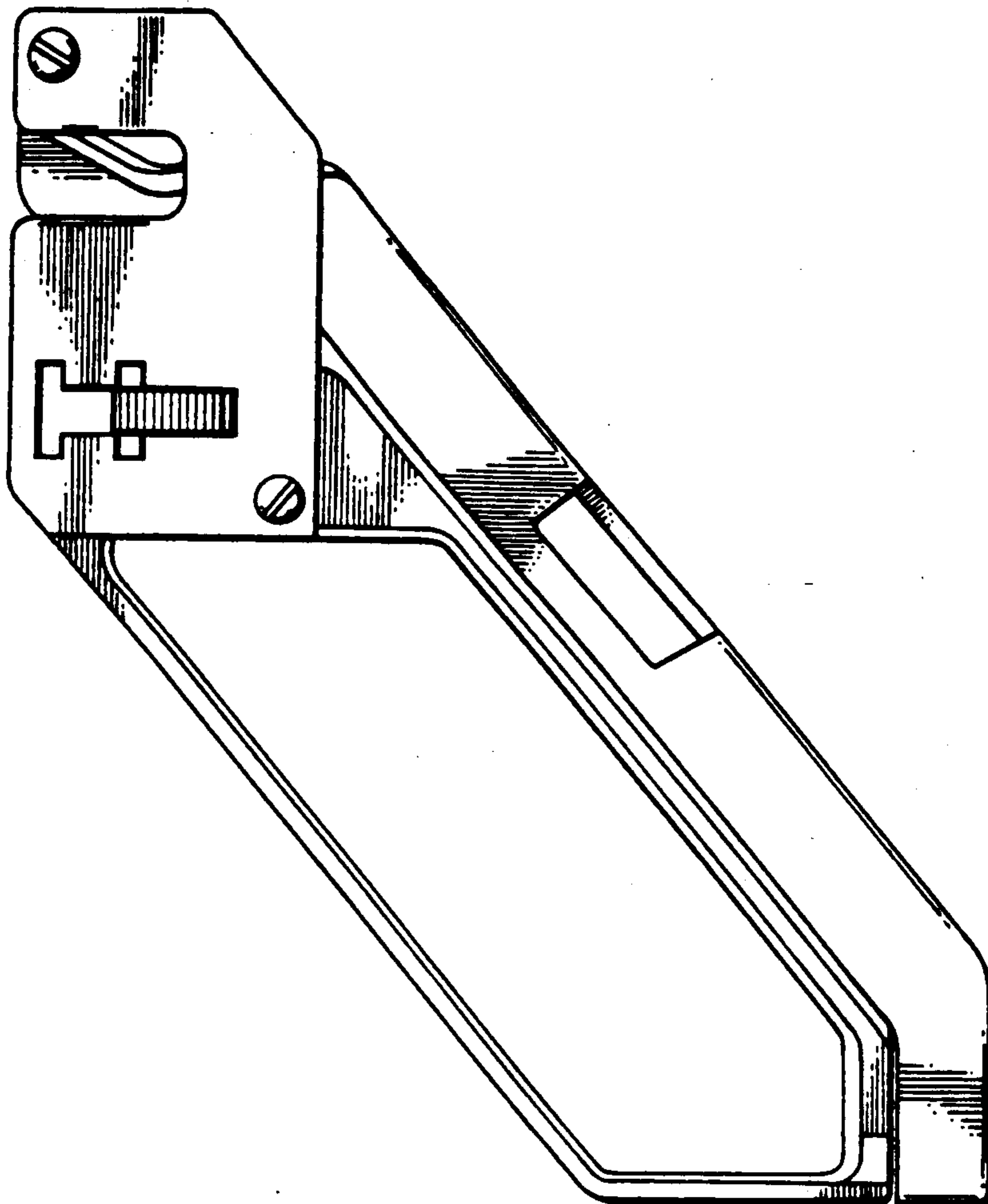


FIG. 3

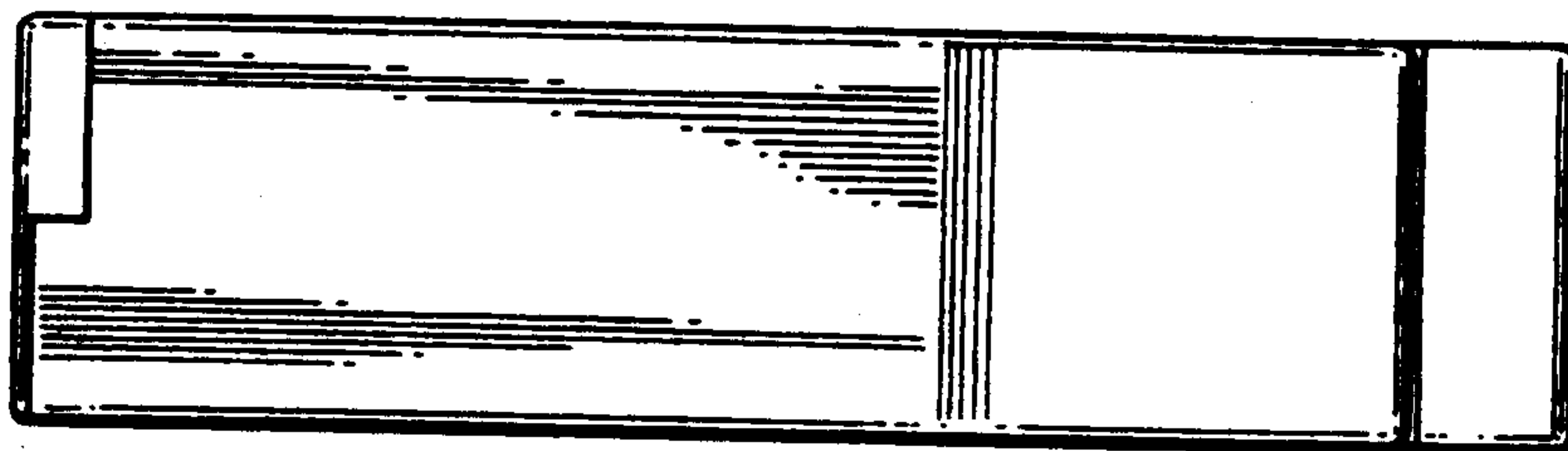


FIG. 4

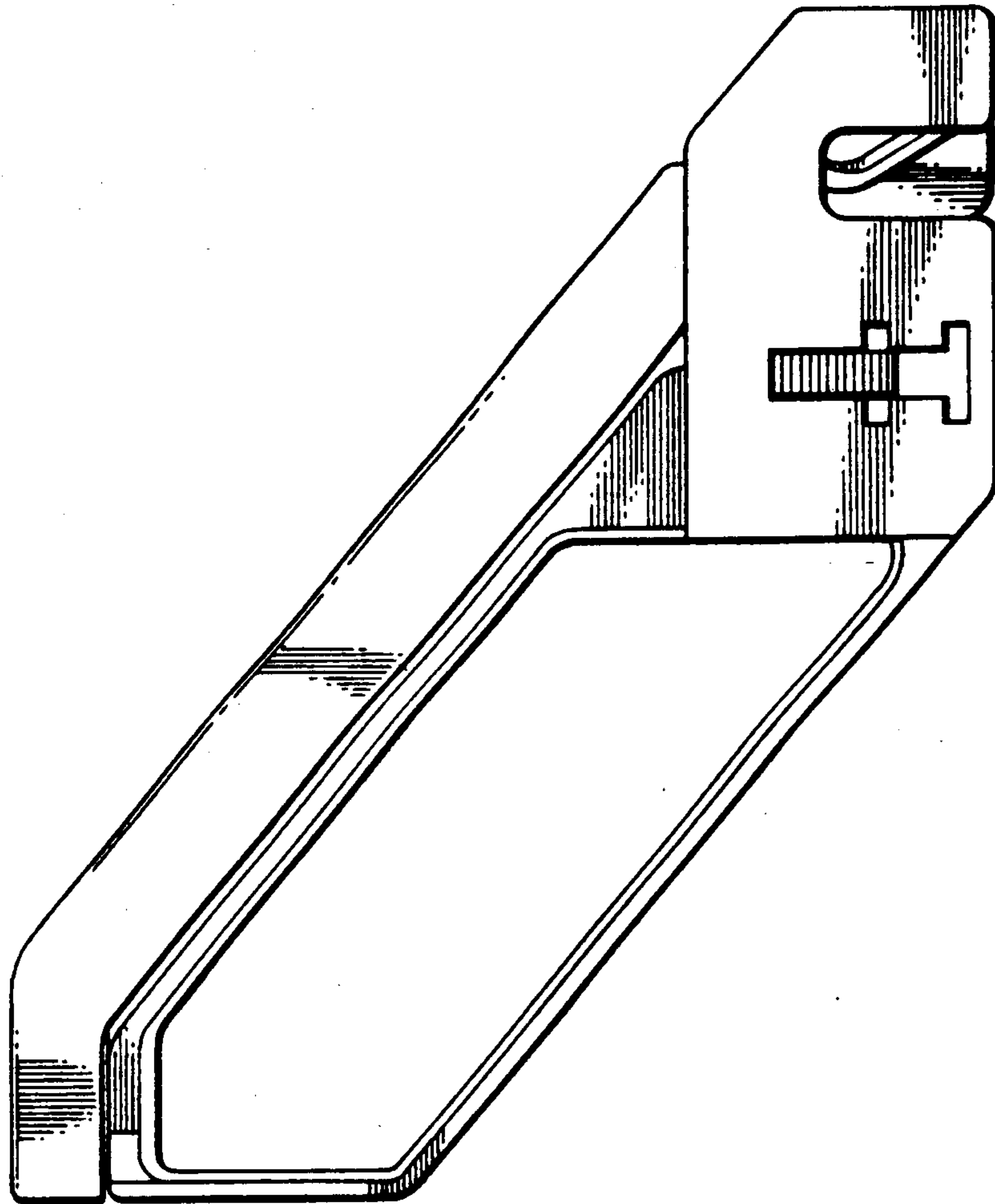


FIG. 5

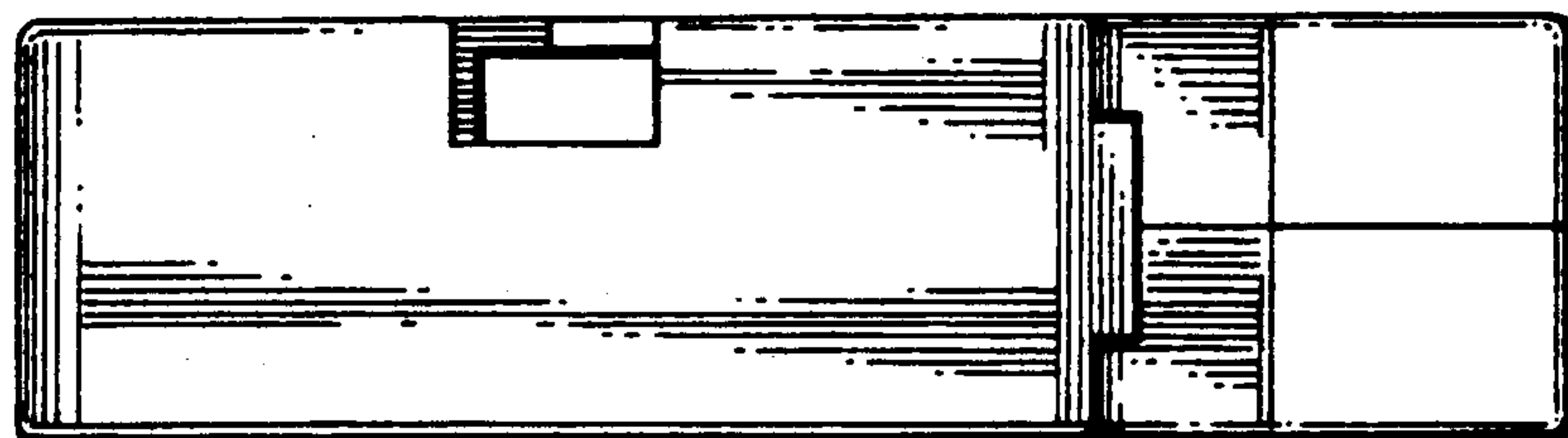


FIG. 6

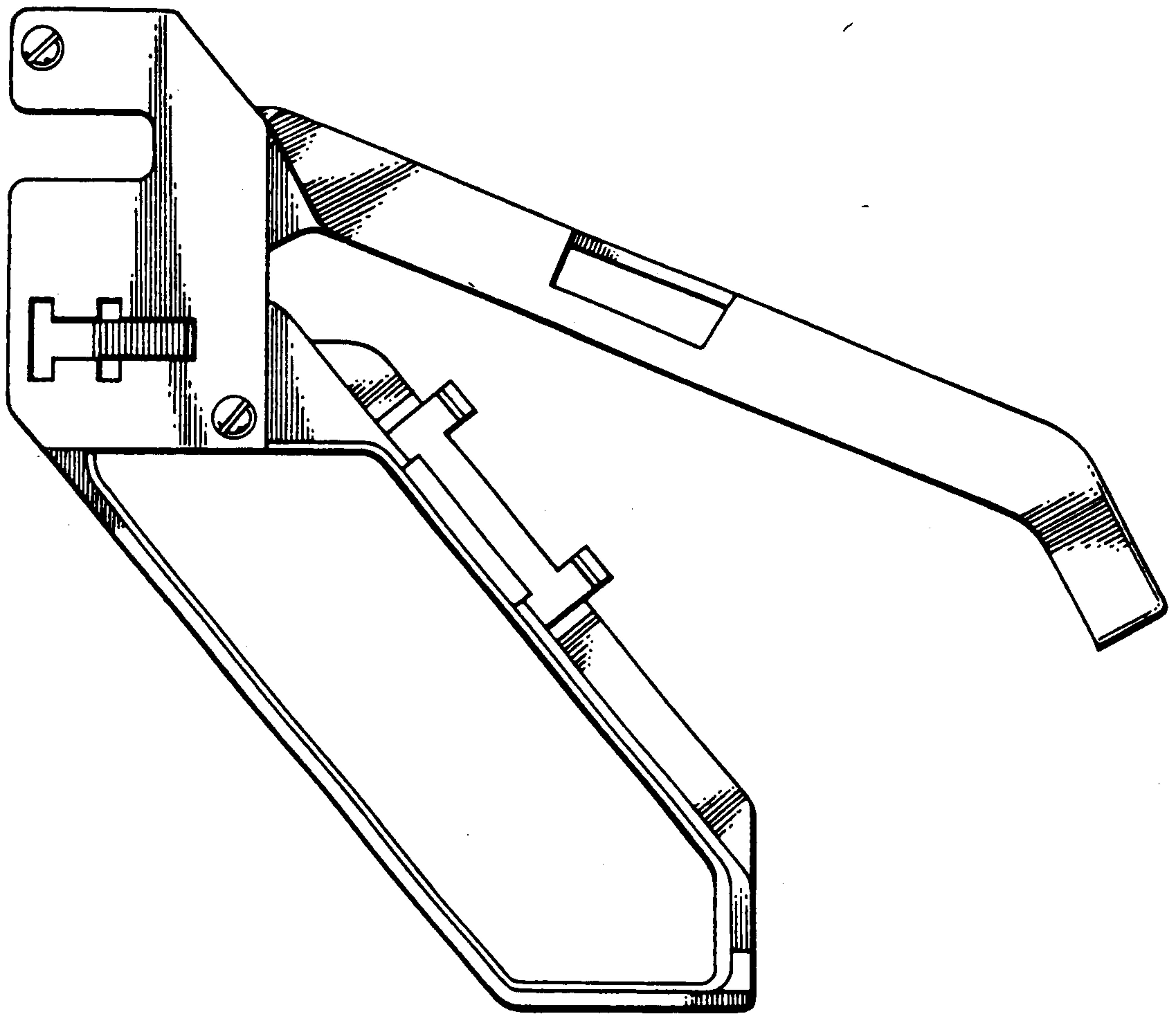


FIG. 7