

[54] SERVING TRAY

[76] Inventor: Leroy I. Wertheim, 1152 Eagle View Dr., Kodak, Tenn. 37764

[\*\*] Term: 14 Years

[21] Appl. No.: 260,482

[22] Filed: Oct. 20, 1988

[52] U.S. Cl. .... D7/549; D7/553

[58] Field of Search ..... D7/507, 543, 544, 545, D7/549, 550, 553, 554

[56] References Cited

U.S. PATENT DOCUMENTS

- D. 162,860 4/1951 Mercer ..... D7/544
- D. 171,104 12/1953 Randall ..... D7/549

- D. 207,062 2/1967 Blair ..... D7/553
- D. 221,883 9/1971 Cash ..... D7/553
- D. 257,914 1/1981 Wooters ..... D7/553 X
- D. 271,932 12/1983 Mosley ..... D7/553

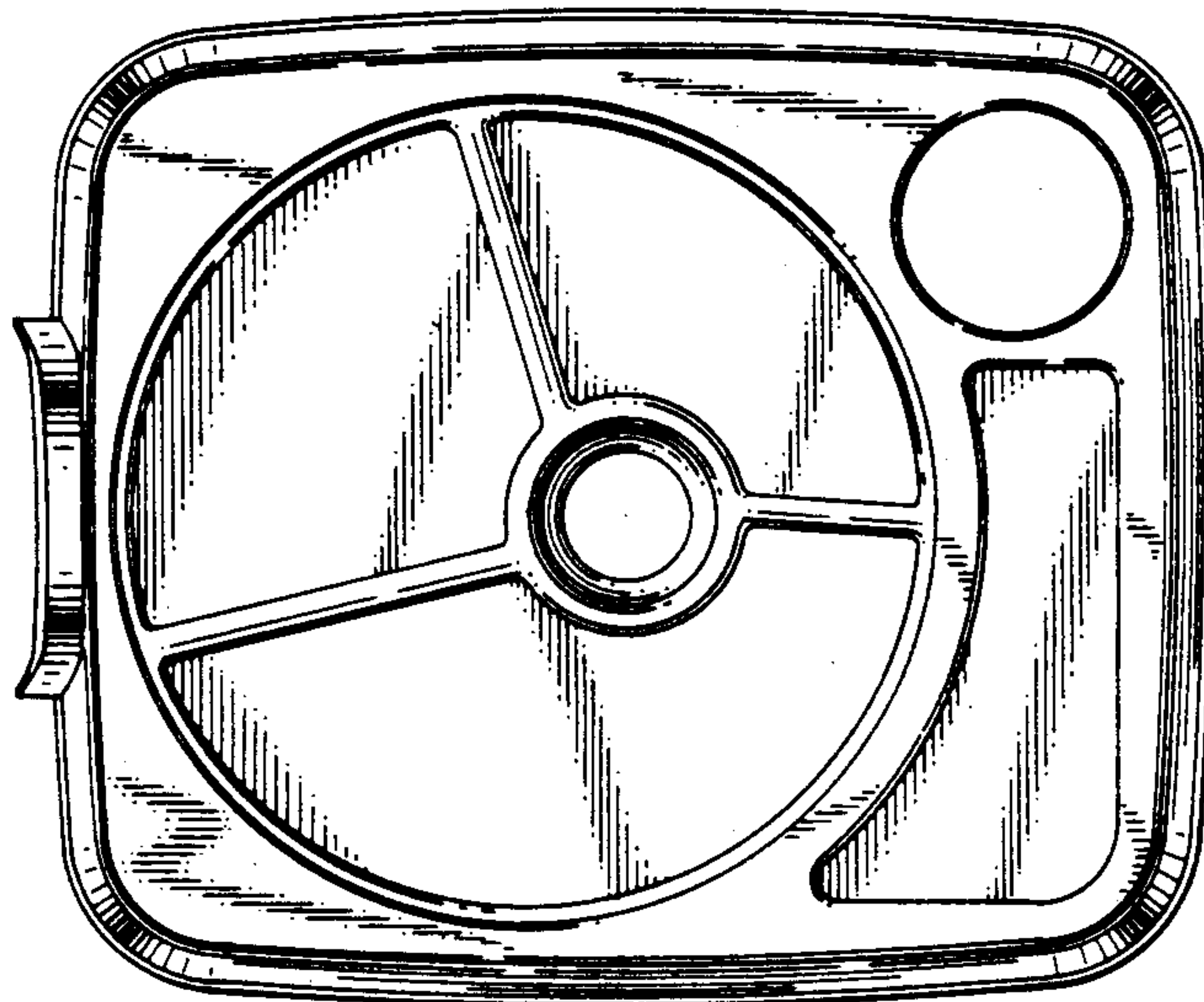
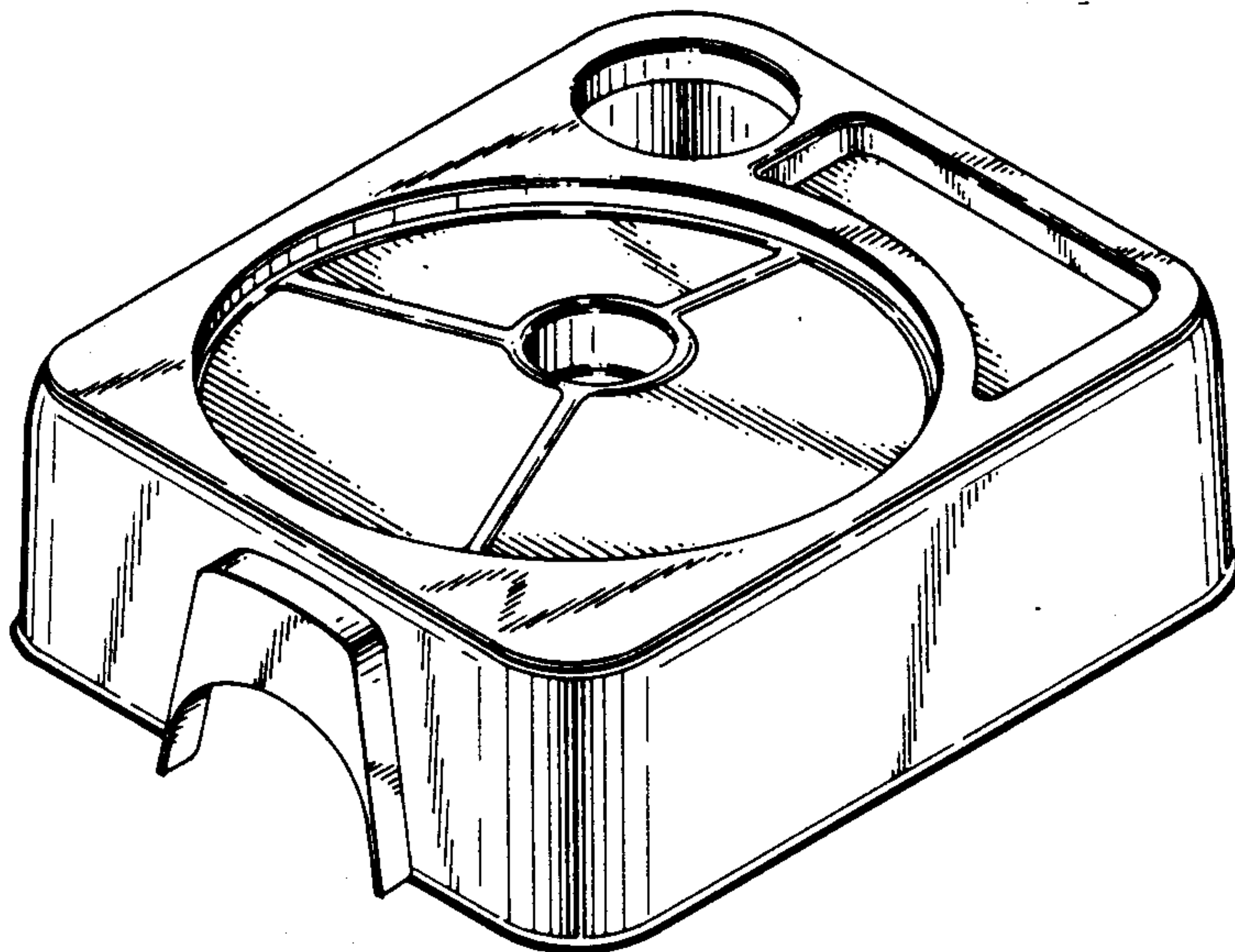
Primary Examiner—Winifred E. Herrmann

[57] CLAIM

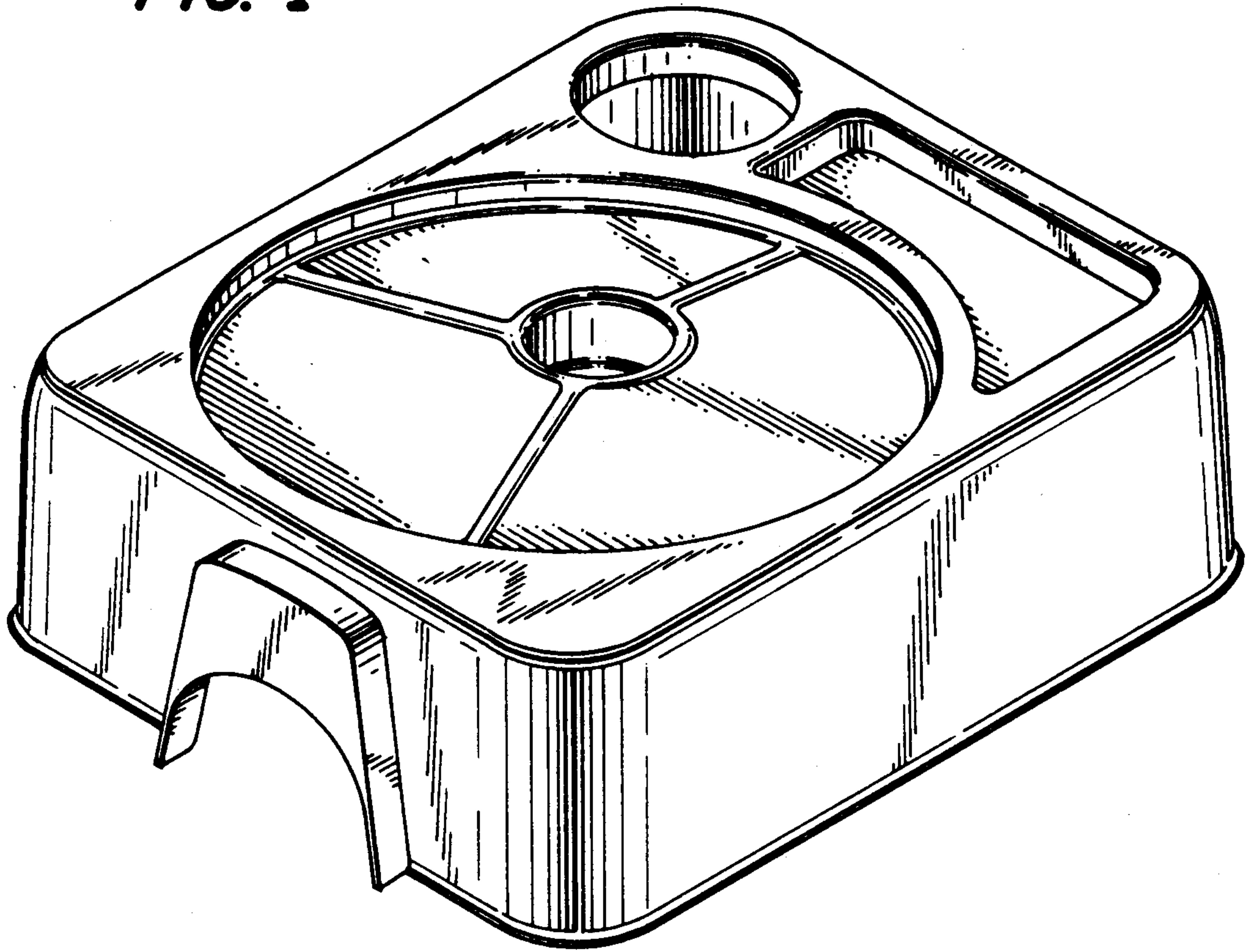
The ornamental design for a serving tray, as shown.

DESCRIPTION

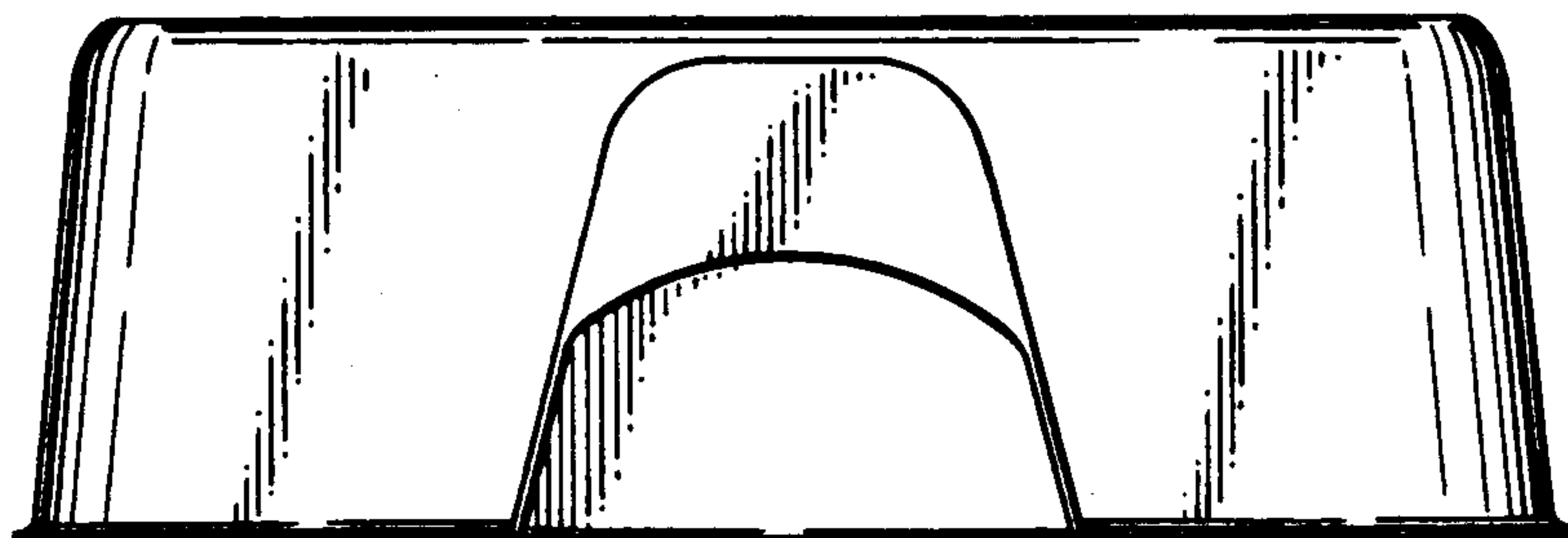
FIG. 1 is a top, front, and right side perspective view of a serving tray showing my new design; FIG. 2 is a front elevational view thereof; FIG. 3 is a right side elevational view thereof; FIG. 4 is a rear elevational view thereof; FIG. 5 is a left side elevational view thereof; FIG. 6 is a top plan view thereof; and FIG. 7 is a bottom plan view thereof.



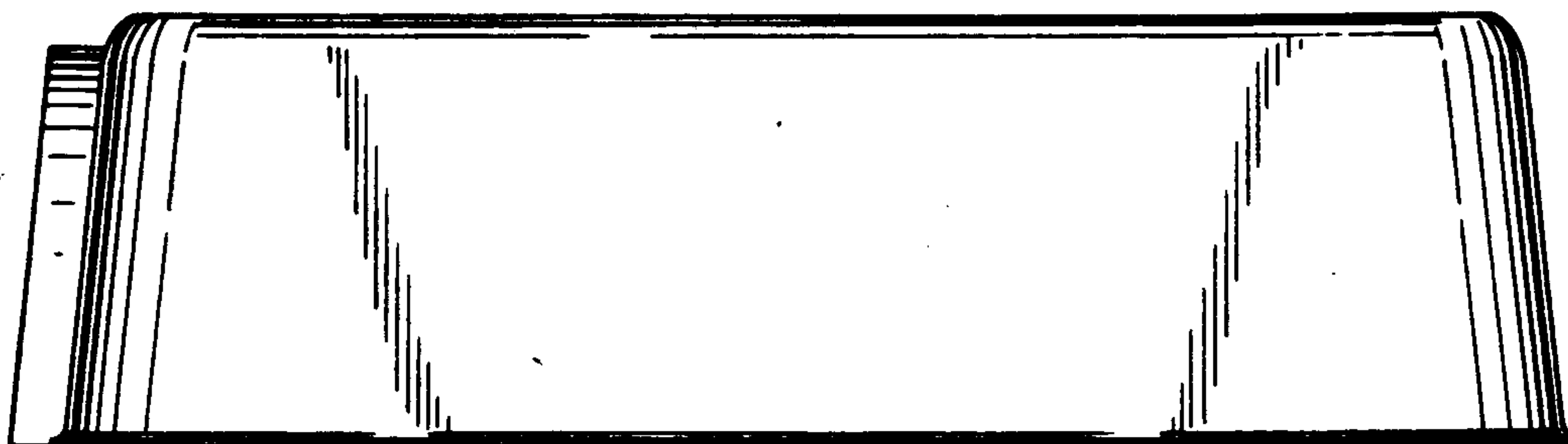
**FIG. 1**



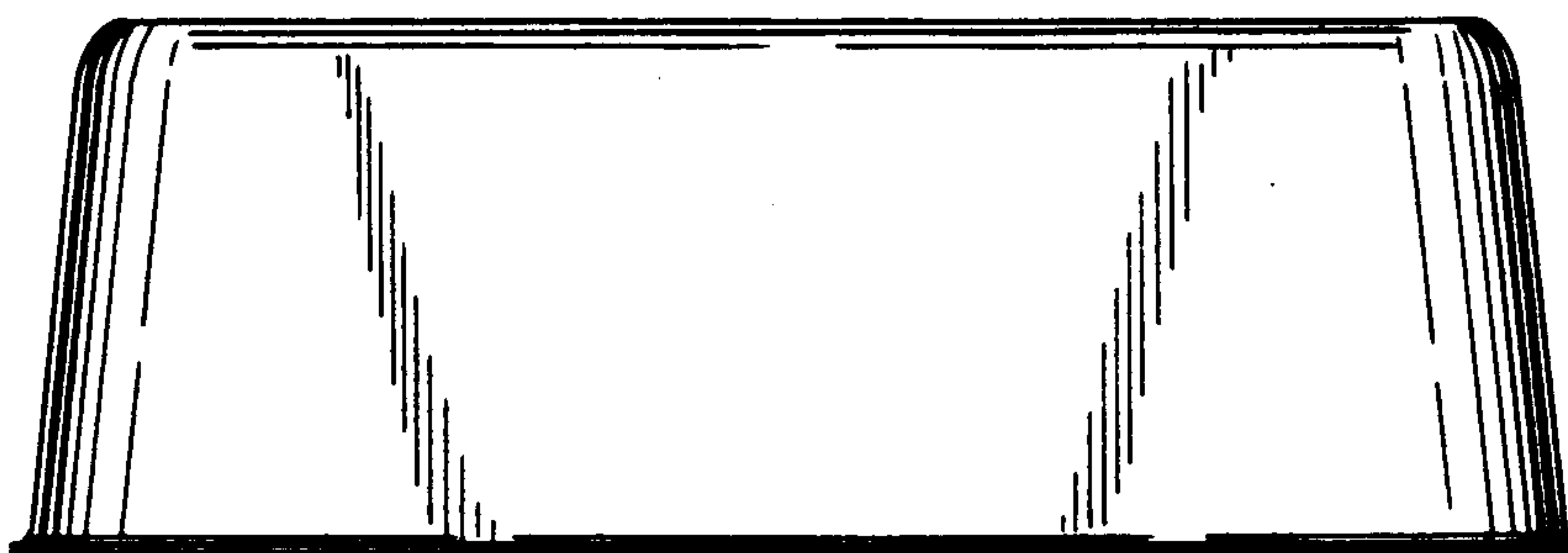
**FIG. 2**



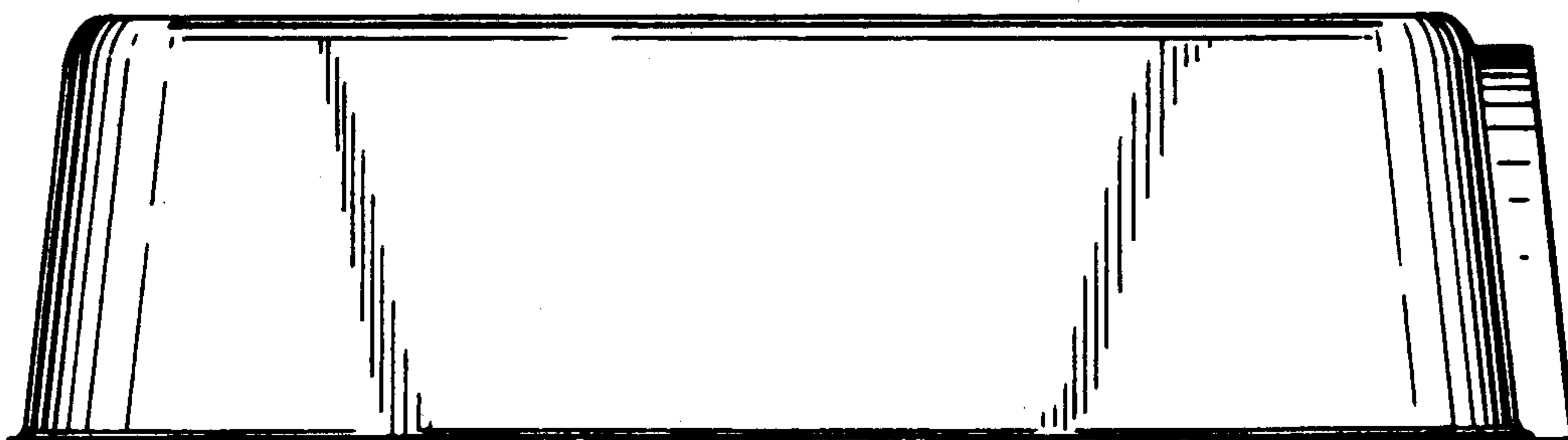
**FIG. 3**



**FIG. 4**

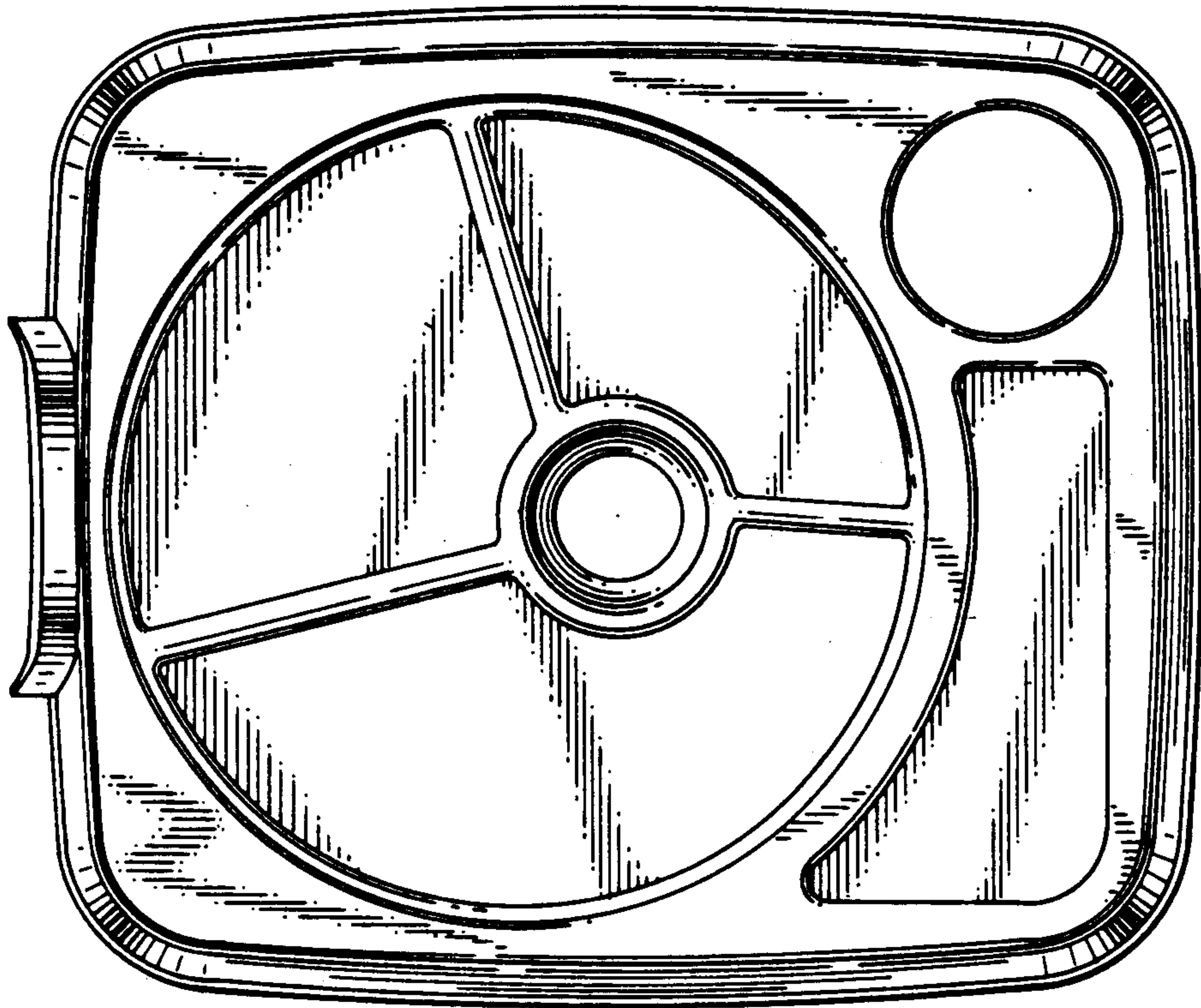


**FIG. 5**





*FIG. 6*



*FIG. 7*

