

[54] ACCESSORY FOR A KITCHEN APPLIANCE FOR PUREEING AND JUICING

[75] Inventor: Jean-Louis Barrault, Boulogne-Billancourt, France

[73] Assignee: Moulinex (Societe Anonyme), Bagnolet, France

[**] Term: 14 Years

[21] Appl. No.: 181,089

[22] Filed: Apr. 14, 1988

[30] Foreign Application Priority Data

Oct. 15, 1987 [FR] France 876031

[52] U.S. Cl. D7/412; D7/383; D7/665

[58] Field of Search D7/412-415, D7/665, 668, 384, 376, 377, 378, 381, 384, 383, 372, 373; 241/37.5, 169.1, 93

[56] References Cited

U.S. PATENT DOCUMENTS

- D. 157,766 3/1950 Levin D7/377
- D. 194,899 3/1963 Madl D7/665
- 2,769,473 11/1956 Comber D7/383 X
- 3,032,087 5/1962 Rodwick D7/412 X

Primary Examiner—Winifred E. Herrmann
Attorney, Agent, or Firm—Young & Thompson

[57] CLAIM

The ornamental design for an accessory for a kitchen appliance for pureeing and juicing, as shown.

DESCRIPTION

FIG. 1 is a top and side and front perspective view of an accessory for a kitchen appliance for pureeing and juicing, showing my new design;
 FIG. 2 is a front perspective view thereof;
 FIG. 3 is a side elevational view thereof from the right of FIG. 1;
 FIG. 4 is a side perspective view thereof from the side opposite that shown in FIG. 3;
 FIG. 5 is a rear elevational view thereof;
 FIG. 6 is a top plan view thereof with the chute door in a closed condition; and
 FIG. 7 is a bottom plan view thereof.

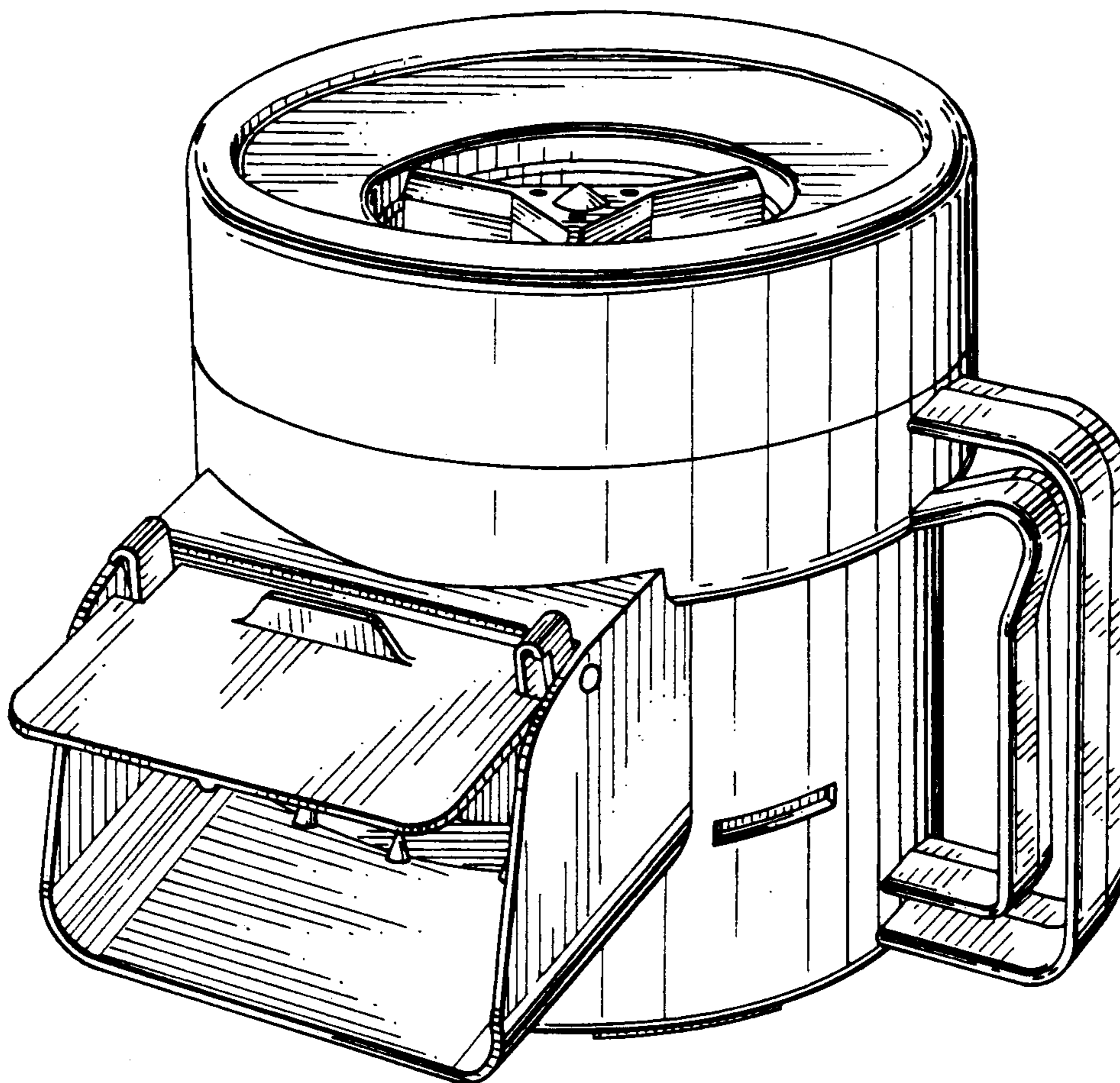


FIG. 1

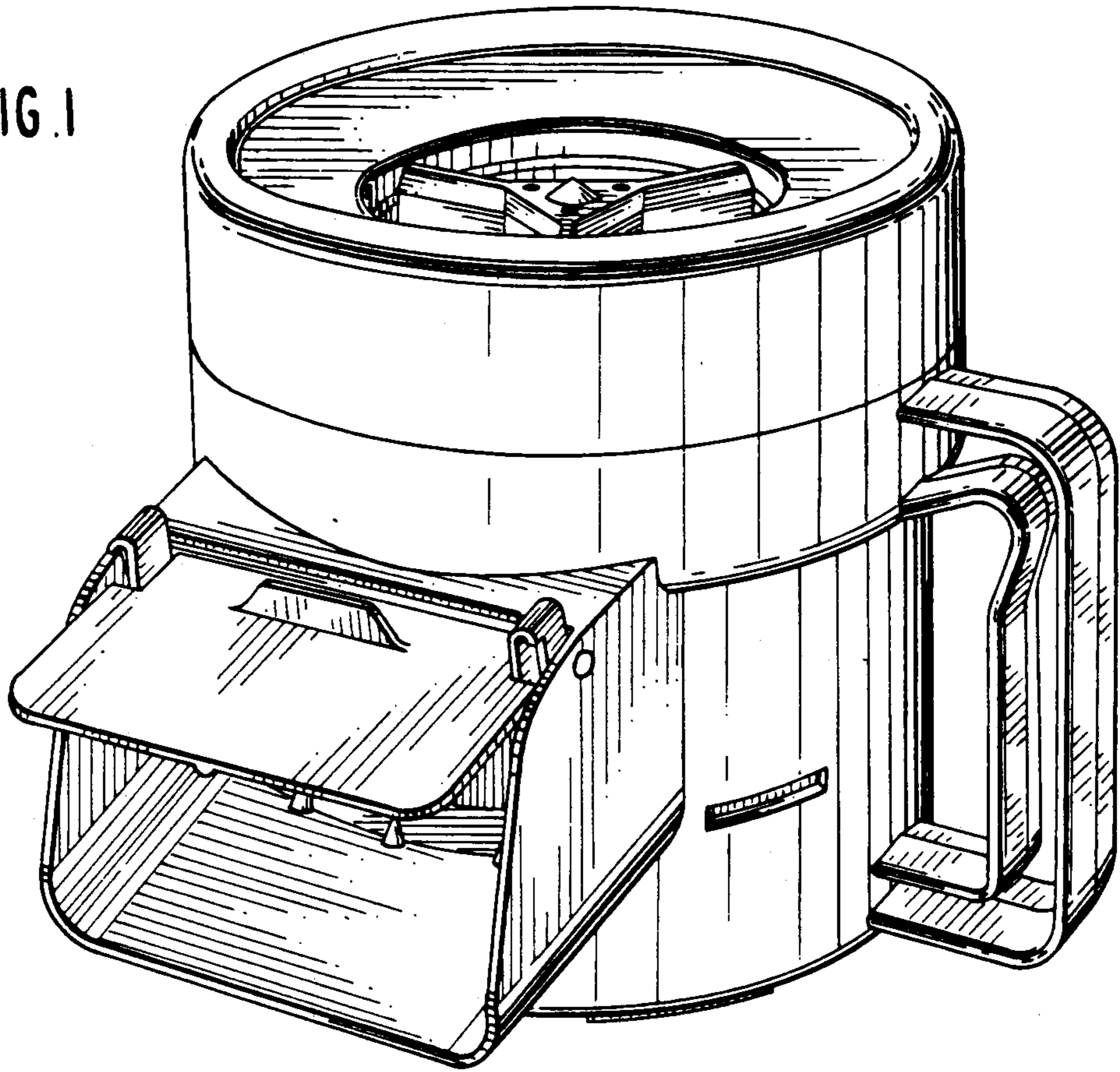


FIG. 2

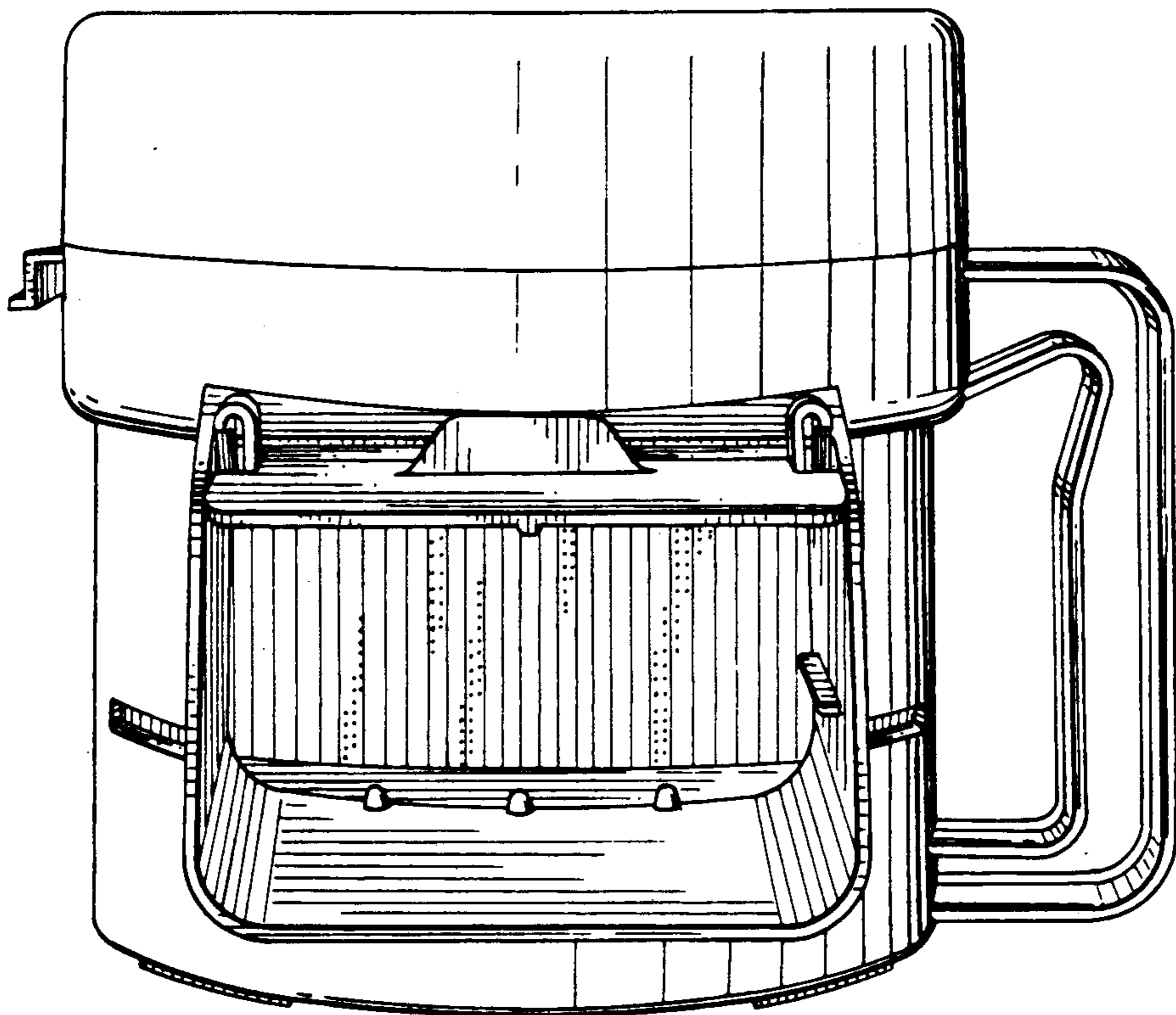


FIG. 3

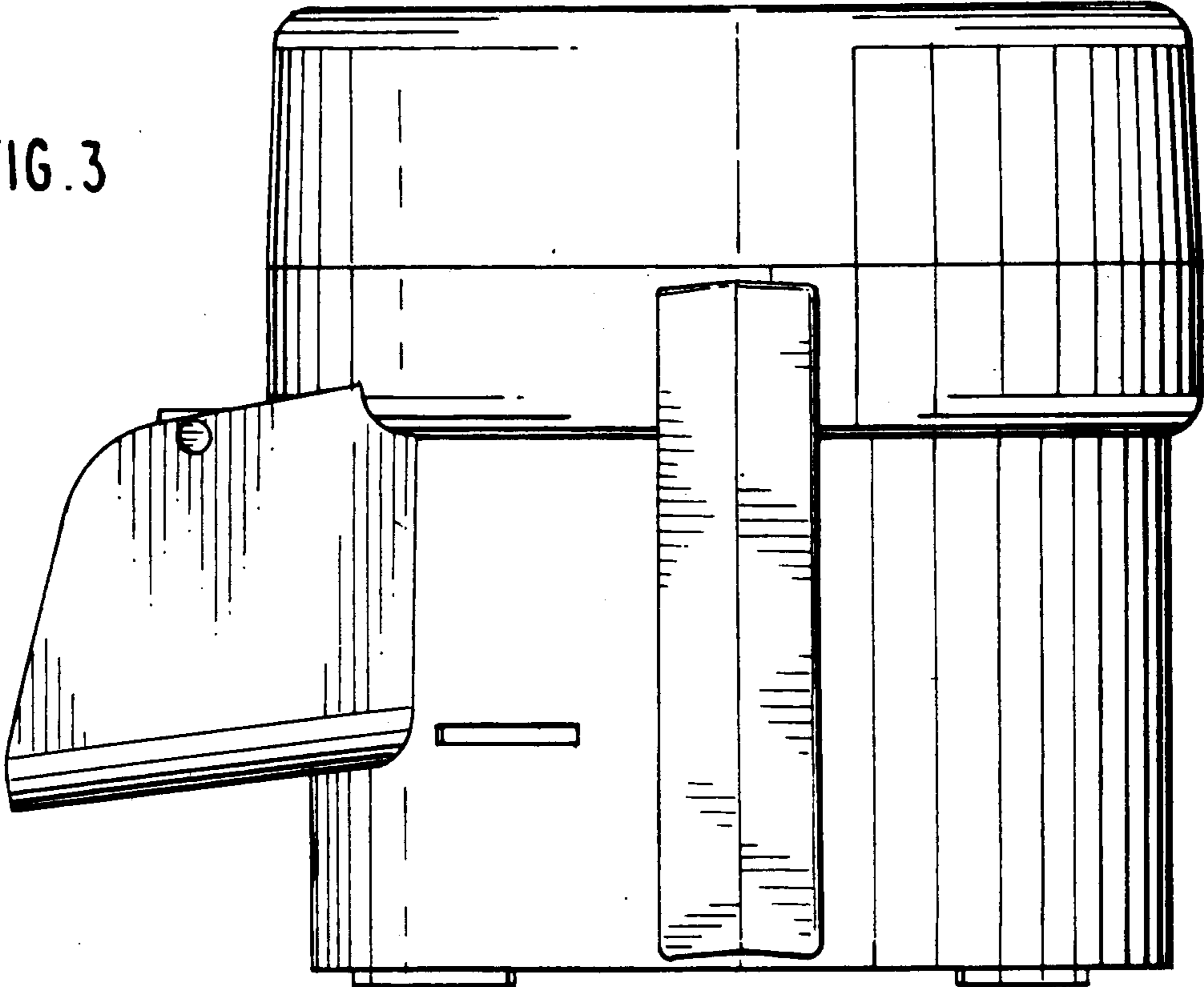


FIG. 4

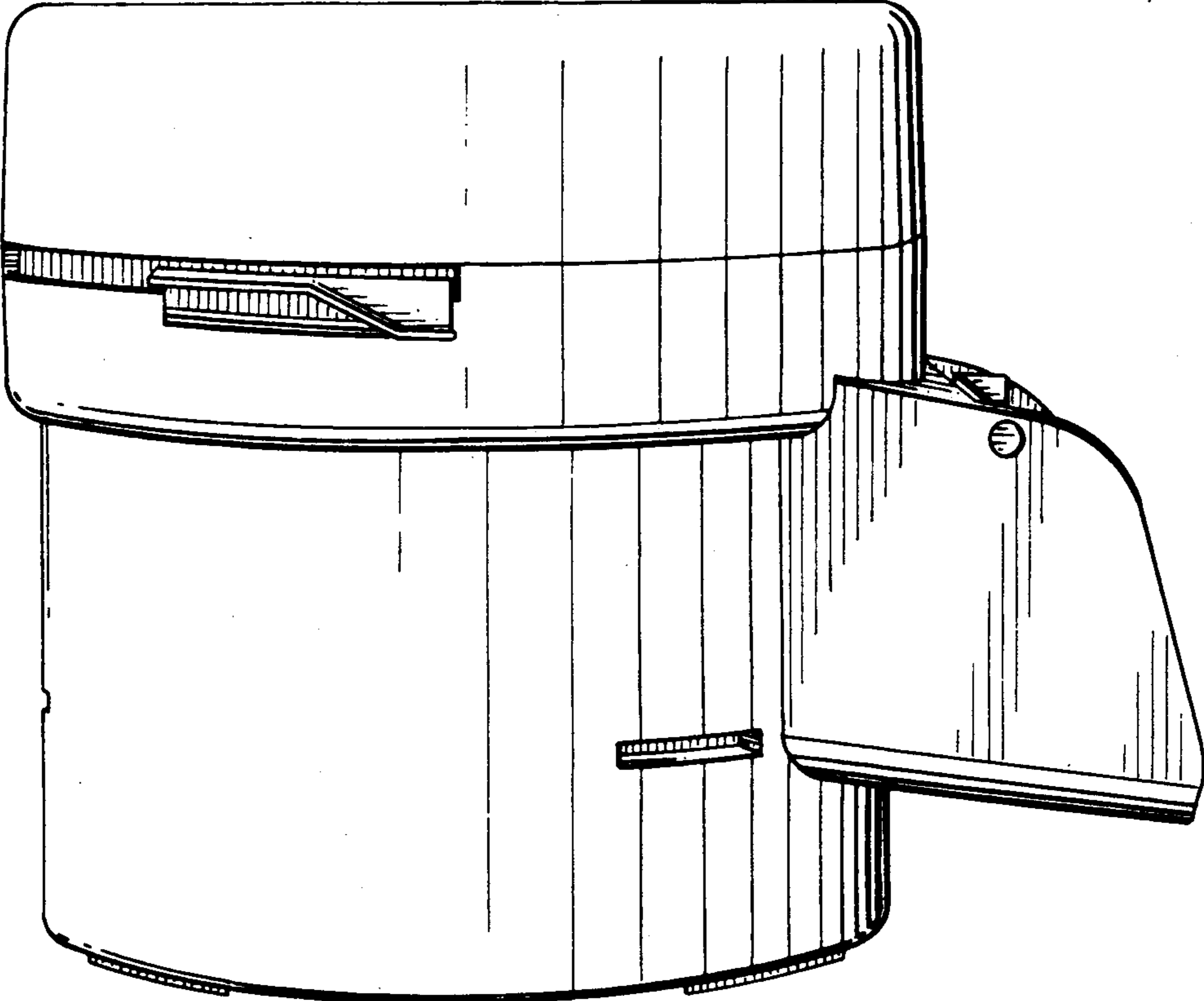


FIG. 5

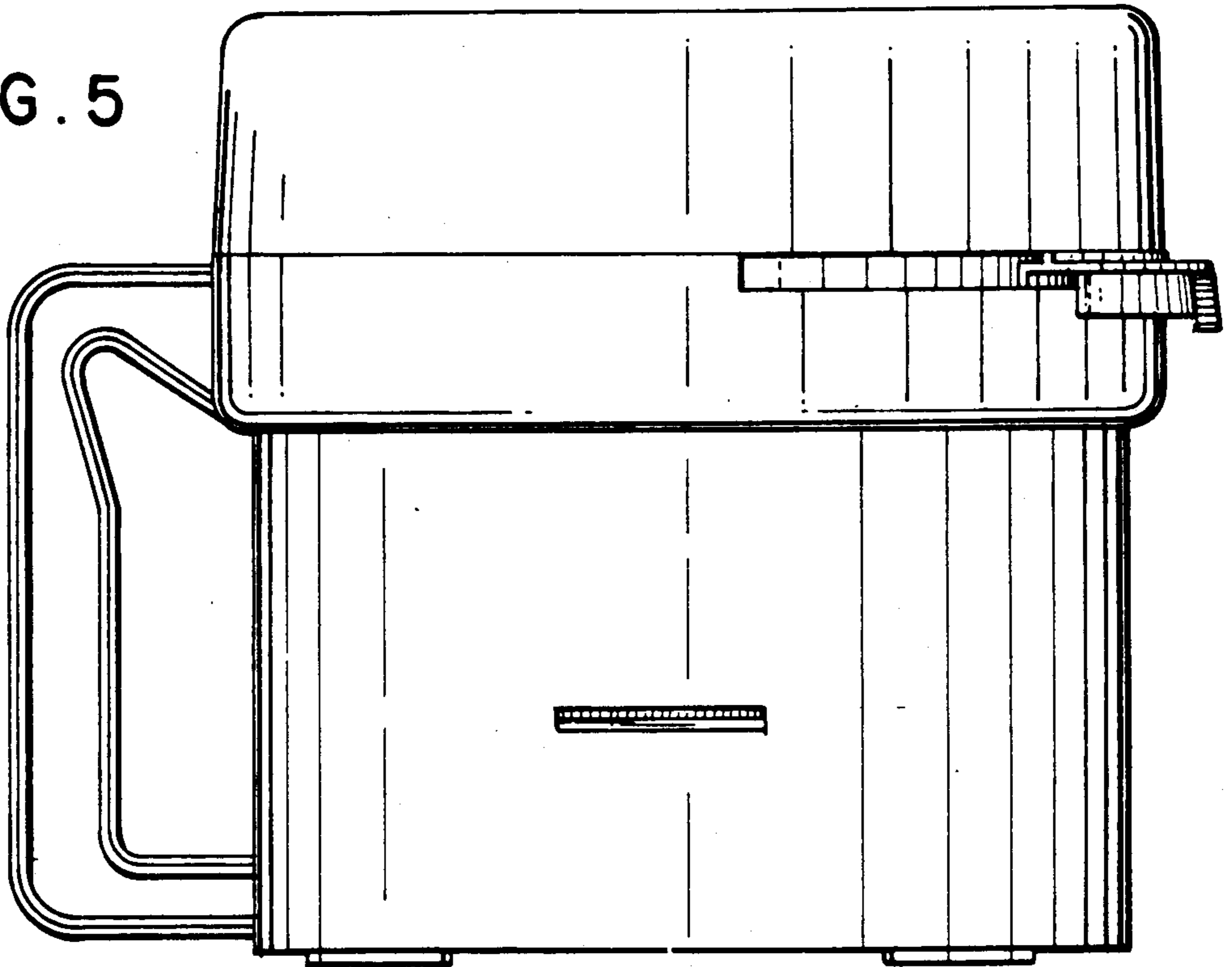


FIG. 6

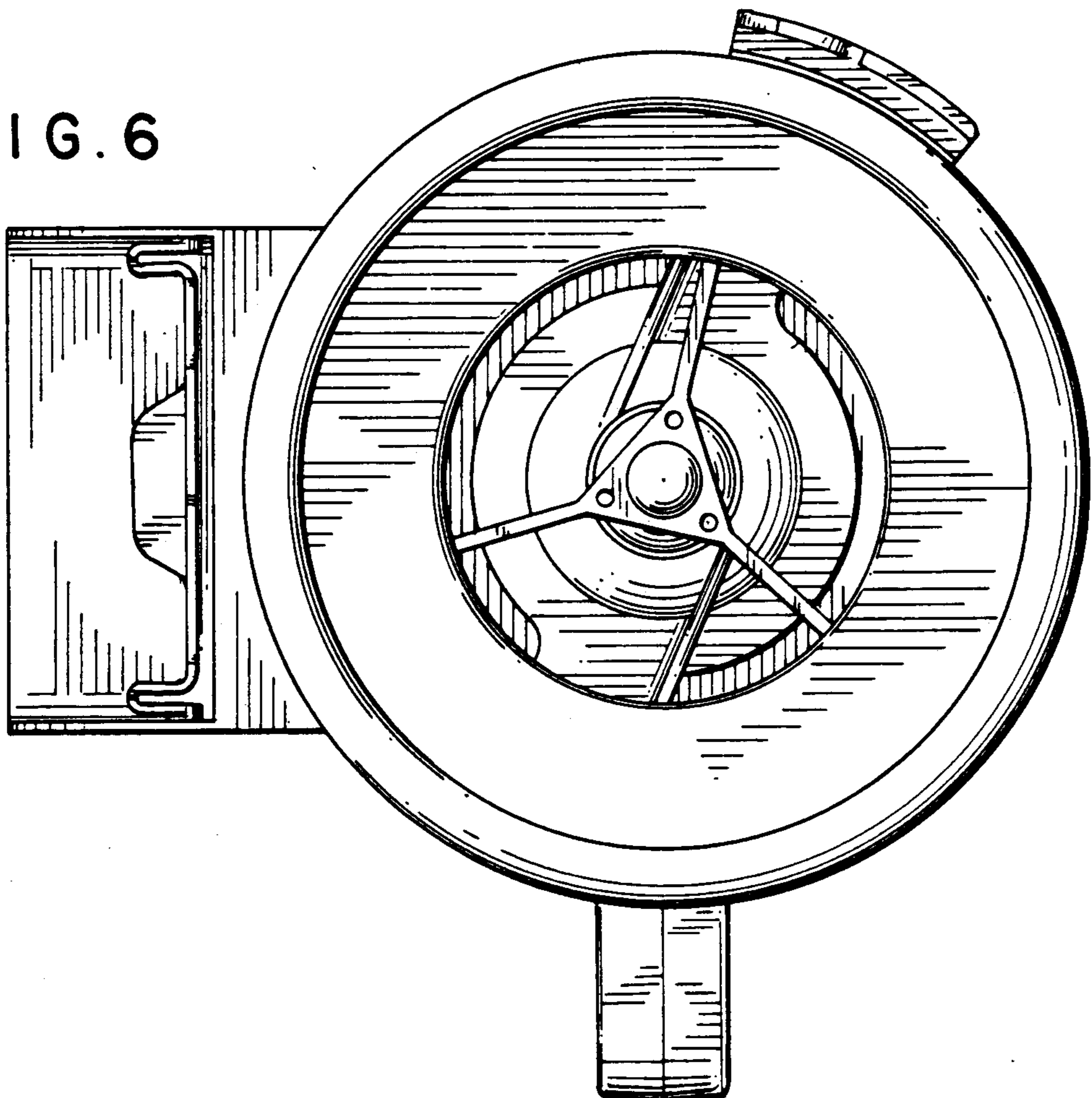


FIG. 7

