

[54] COFFEE BEAM ROASTING MACHINE

[75] Inventor: Harald Munk, Stockelsdorf, Fed. Rep. of Germany

[73] Assignee: Novopack Maschinenbau GmbH, Wahlstedt, Fed. Rep. of Germany

[**] Term: 14 Years

[21] Appl. No.: 116,504

[22] Filed: Nov. 3, 1987

[30] Foreign Application Priority Data

May 4, 1987 [DE] Fed. Rep. of Germany MR124

[52] U.S. Cl. D7/338; 99/286

[58] Field of Search D7/323, 331, 310, 338, D7/368, 414, 358, 213; 99/281, 286, 479

[56] References Cited

U.S. PATENT DOCUMENTS

D. 44,540 8/1913 Prims D7/338

D. 80,407	1/1930	Xippas	D7/331
D. 103,188	2/1937	Richeson	D7/338
D. 201,947	8/1965	Rodriguez	D7/338
D. 282,618	2/1986	McBrien	D7/323
4,096,792	6/1978	Smith, Jr.	99/479 X

Primary Examiner—Louis S. Zarfes
Attorney, Agent, or Firm—Thomas M. Freiburger

[57] CLAIM

The ornamental design for a coffee beam roasting machine, as shown and described.

DESCRIPTION

FIG. 1 is a frontal perspective view of a coffee bean roasting machine showing my new design; FIG. 2 is a front view thereof; FIG. 3 is a side view from the right thereof; FIG. 4 is a rear view thereof; FIG. 5 is a side view from the left thereof; FIG. 6 is a top plan view thereof; and FIG. 7 is a bottom plan view thereof.

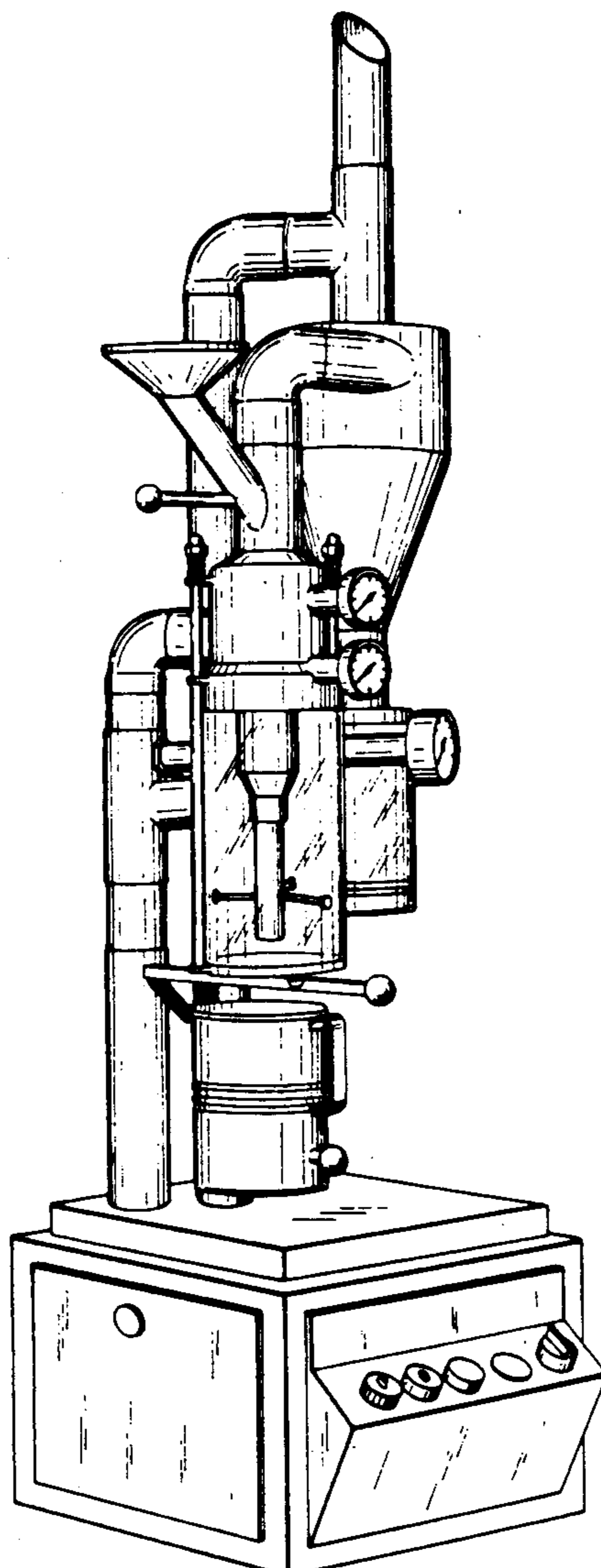


FIG. 1

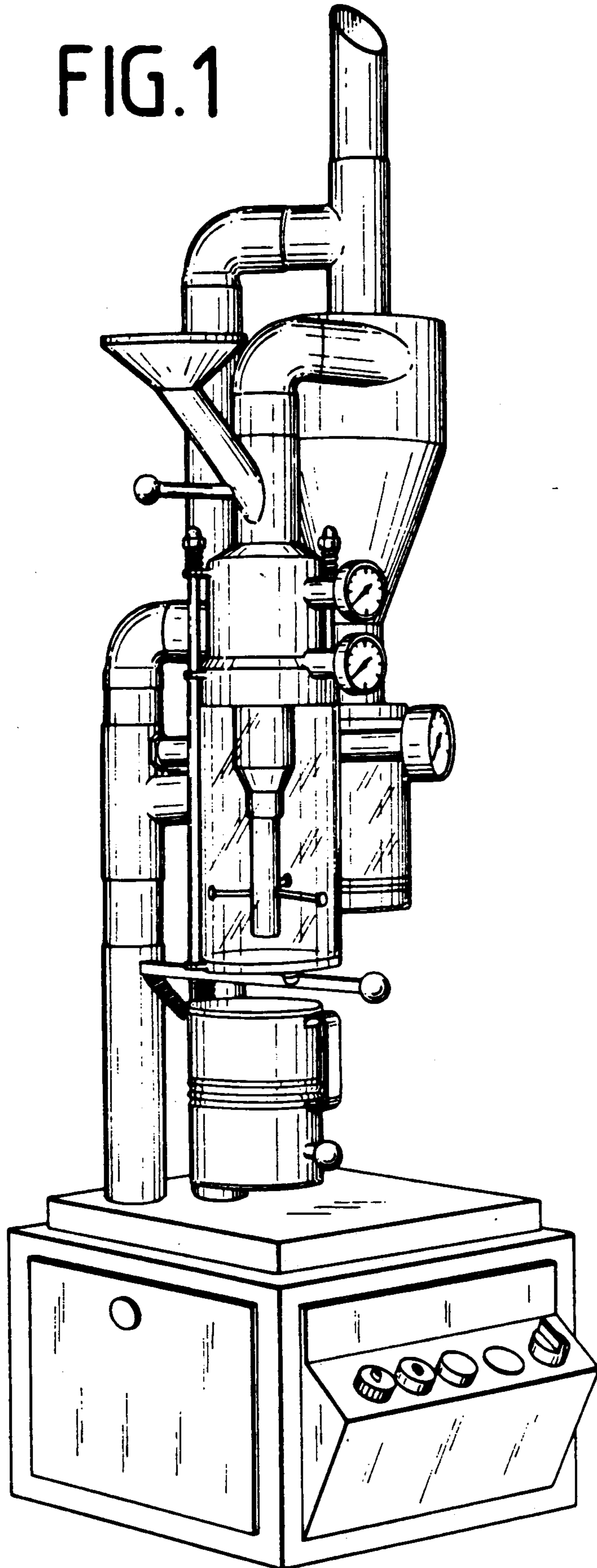


FIG.2

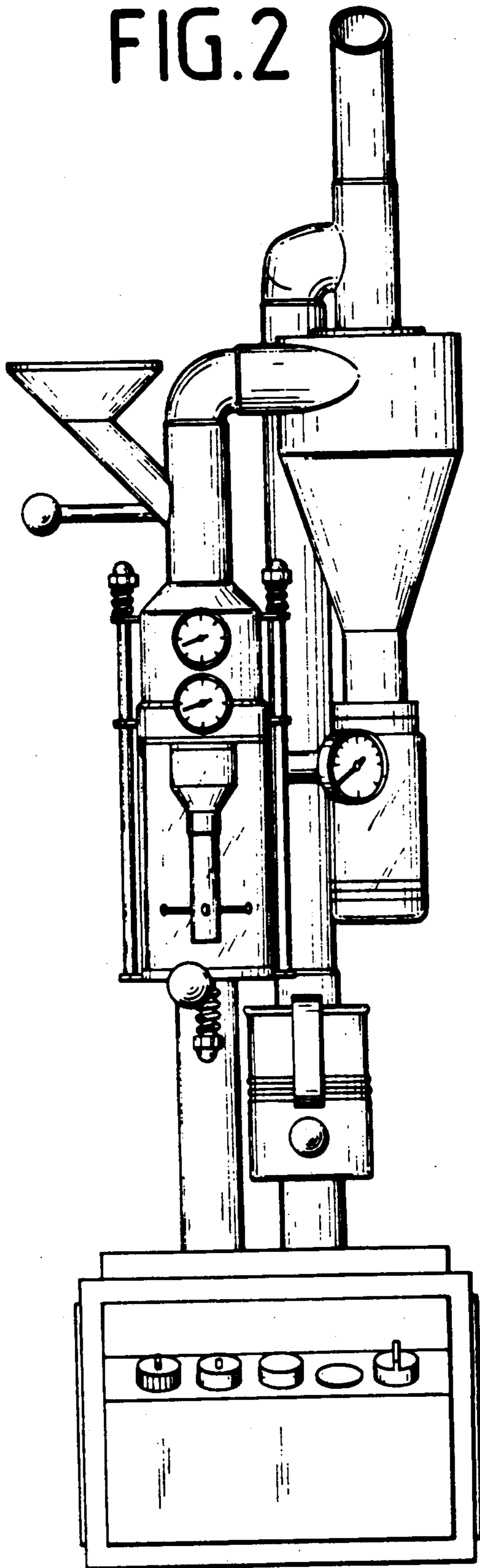


FIG.3

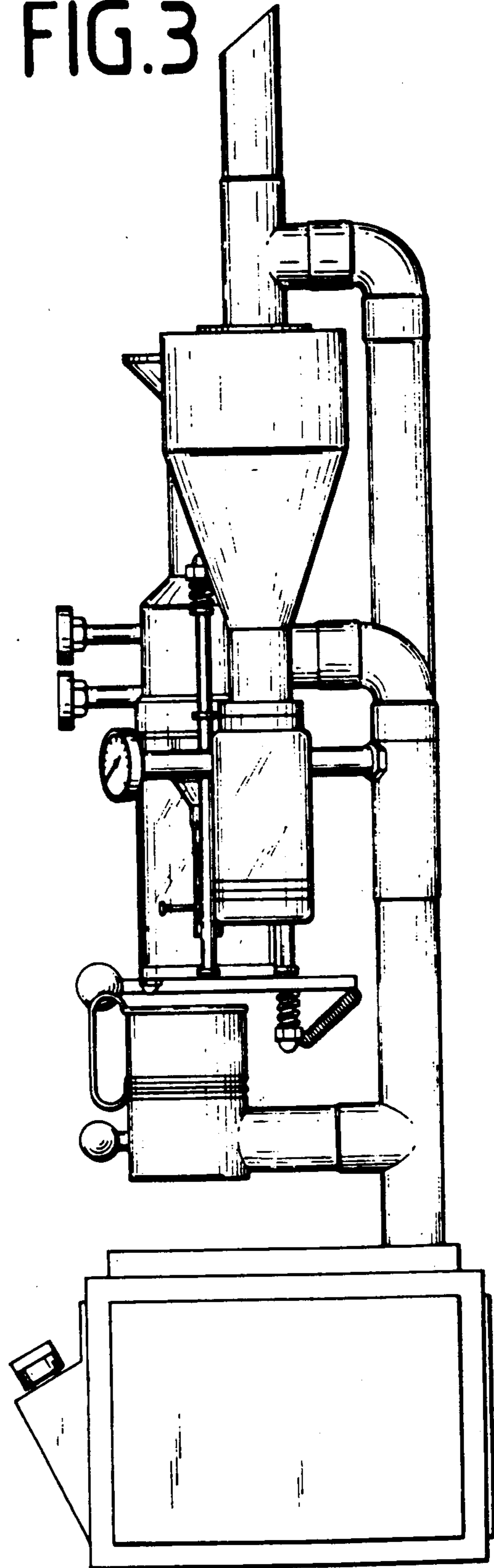


FIG.4

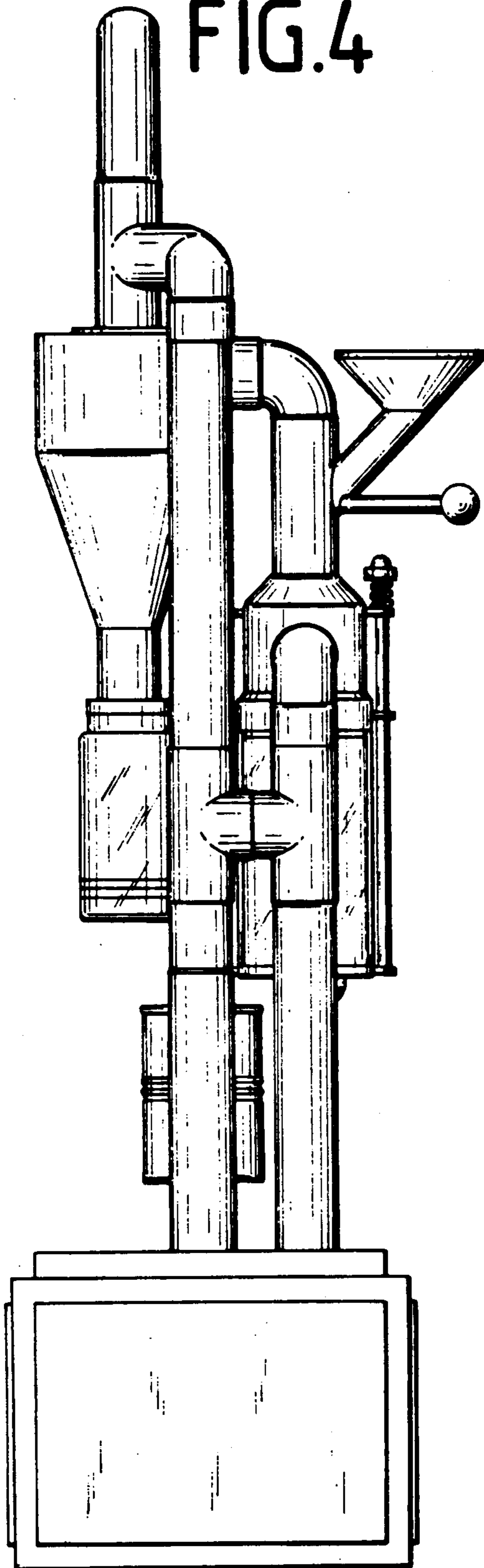


FIG.5

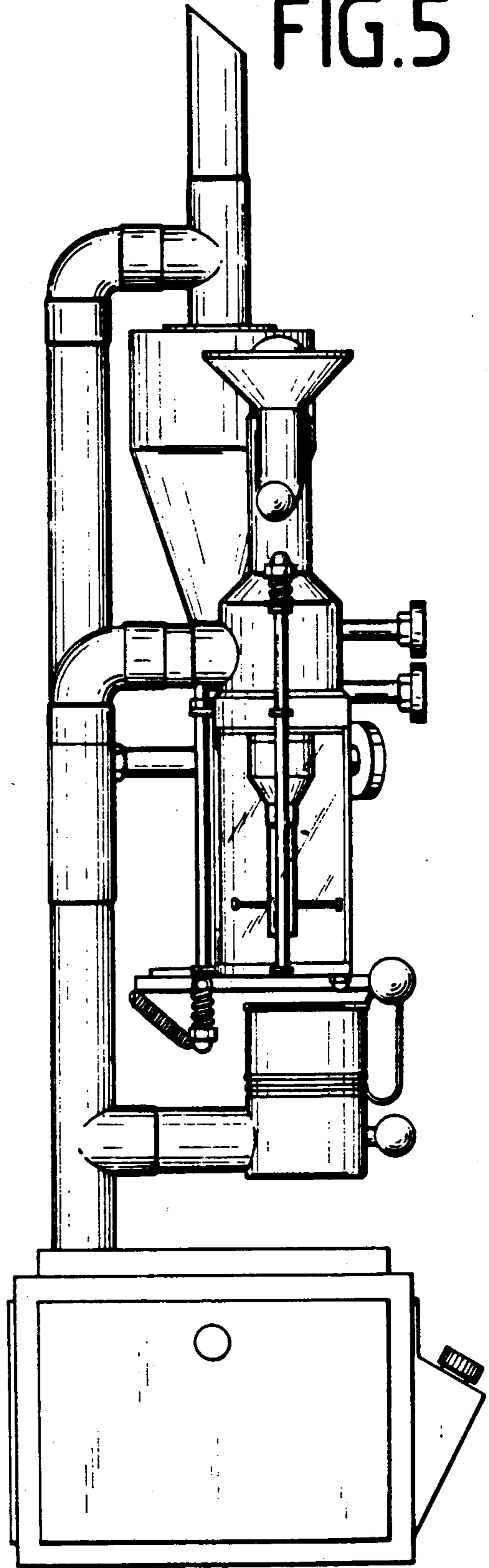


FIG.6

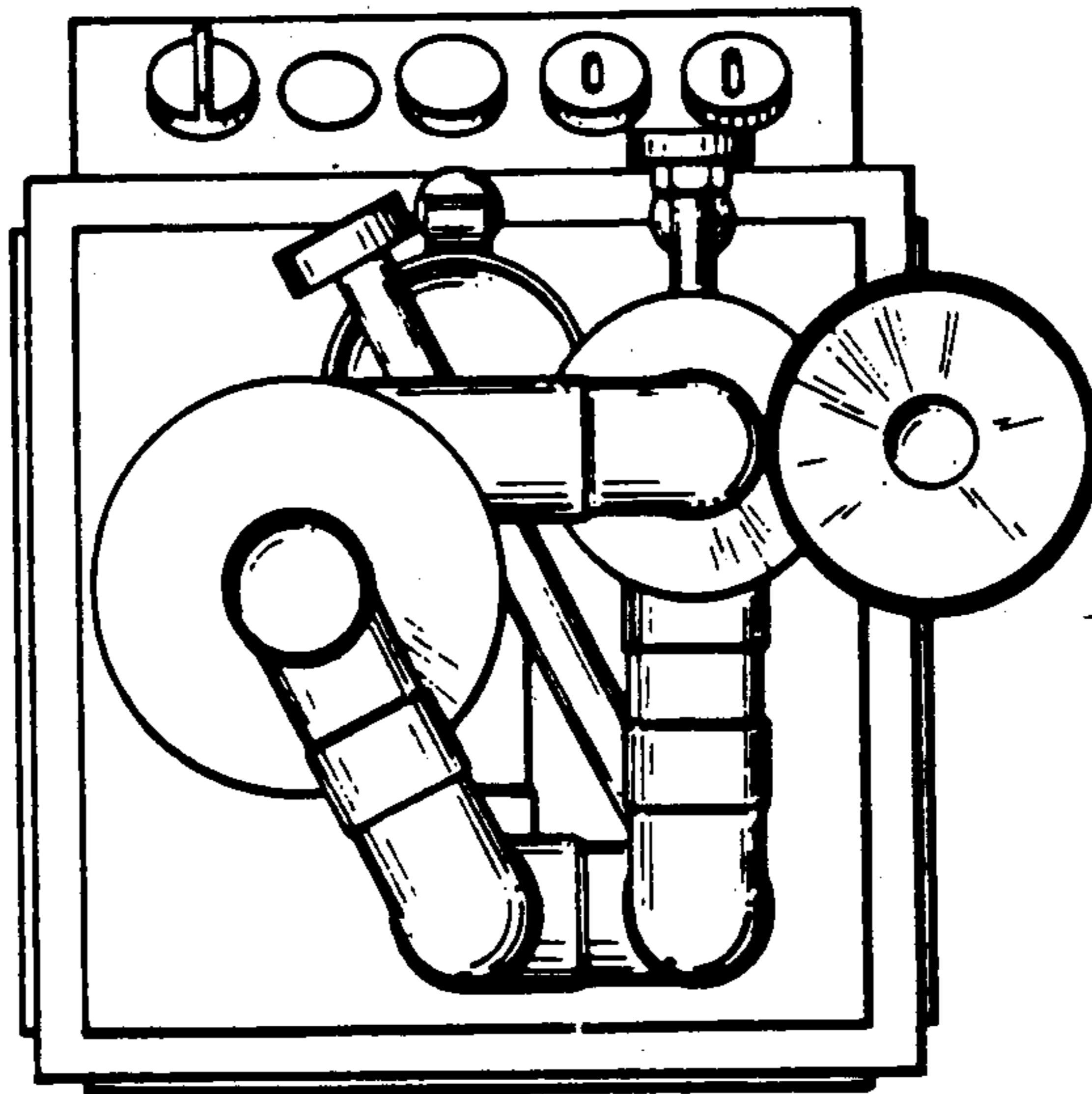


FIG.7

