

[54] **TEA KETTLE**

[75] **Inventors: Jane Ancona; Bruce Ancona, both of New York, N.Y.**

[73] **Assignee: M. Kamenstein, Inc., White Plains, N.Y.**

[**] **Term: 14 Years**

[21] **Appl. No.: 594,841**

[22] **Filed: Oct. 9, 1990**

[52] **U.S. Cl. D7/322; D7/320**

[58] **Field of Search D7/322, 320, 321, 312, D7/302, 397, 399, 300**

491,552	2/1893	Hafey	220/263
596,481	1/1898	Clark	220/263
818,973	4/1906	Medley	220/263
833,341	10/1906	Rowe	220/263
987,087	3/1911	McCabe	220/263
2,624,493	1/1953	Porter	220/263 X
2,925,190	2/1960	Littleton	220/263 X
3,091,302	5/1963	Wolven	D7/321 X
4,181,071	1/1980	Outlaw	D7/320 X
4,624,385	11/1986	Yano	220/264

OTHER PUBLICATIONS

Goldschmiede-Zeitung, Jul. 1980, p. 57, bottom left/silver tea kettle-Wilfried Moll.

Goldschmiede-Zeitung, Sep. 1977, p. 57, top panel/silver tea kettle-Martin Ohman.

House & Garden, Jul. 1938, p. 38, item #9, Hob-Nail tea kettle, cast iron with brass lid and handle.

Tableware International, Feb. 1989, p. 60, Selangor ® pewter tea kettle-Erik Magnussen.

Primary Examiner—Winifred E. Herrmann

Attorney, Agent, or Firm—Henry R. Lerner

[56] **References Cited**

U.S. PATENT DOCUMENTS

70,461	11/1867	Page	220/263
D. 97,482	11/1935	Guild	D7/321
D. 109,642	5/1938	Morgan	D7/321
D. 158,001	4/1950	Patti	D7/312
D. 164,413	9/1951	Finch	D7/322
D. 218,635	9/1970	Lax	D7/322
D. 251,171	2/1979	Umanoff	D7/320
D. 260,957	9/1981	Urich	D7/321
D. 265,621	8/1982	Urich	D7/321
D. 266,821	11/1982	Urich	D7/320
D. 273,182	3/1984	Shane et al.	D7/321 X
D. 273,183	3/1984	Shane et al.	D7/321 X
D. 285,521	5/1984	Urich	D7/321
D. 296,068	6/1988	Yano	D7/322
D. 305,197	12/1989	Valdes	D7/312 X
D. 308,314	6/1990	Ancona et al.	D7/322
D. 308,797	6/1990	Ancona et al.	D7/322
482,972	9/1892	Baker	D7/321 X

[57] **CLAIM**

The ornamental design for a tea kettle, as shown and described.

DESCRIPTION

FIG. 1 is a side elevational view of a tea kettle showing our new design, the opposite side being a mirror image; FIG. 2 is a top plan view thereof; FIG. 3 is a front elevational view thereof; FIG. 4 is a bottom plan view thereof; and FIG. 5 is a rear elevational view thereof.

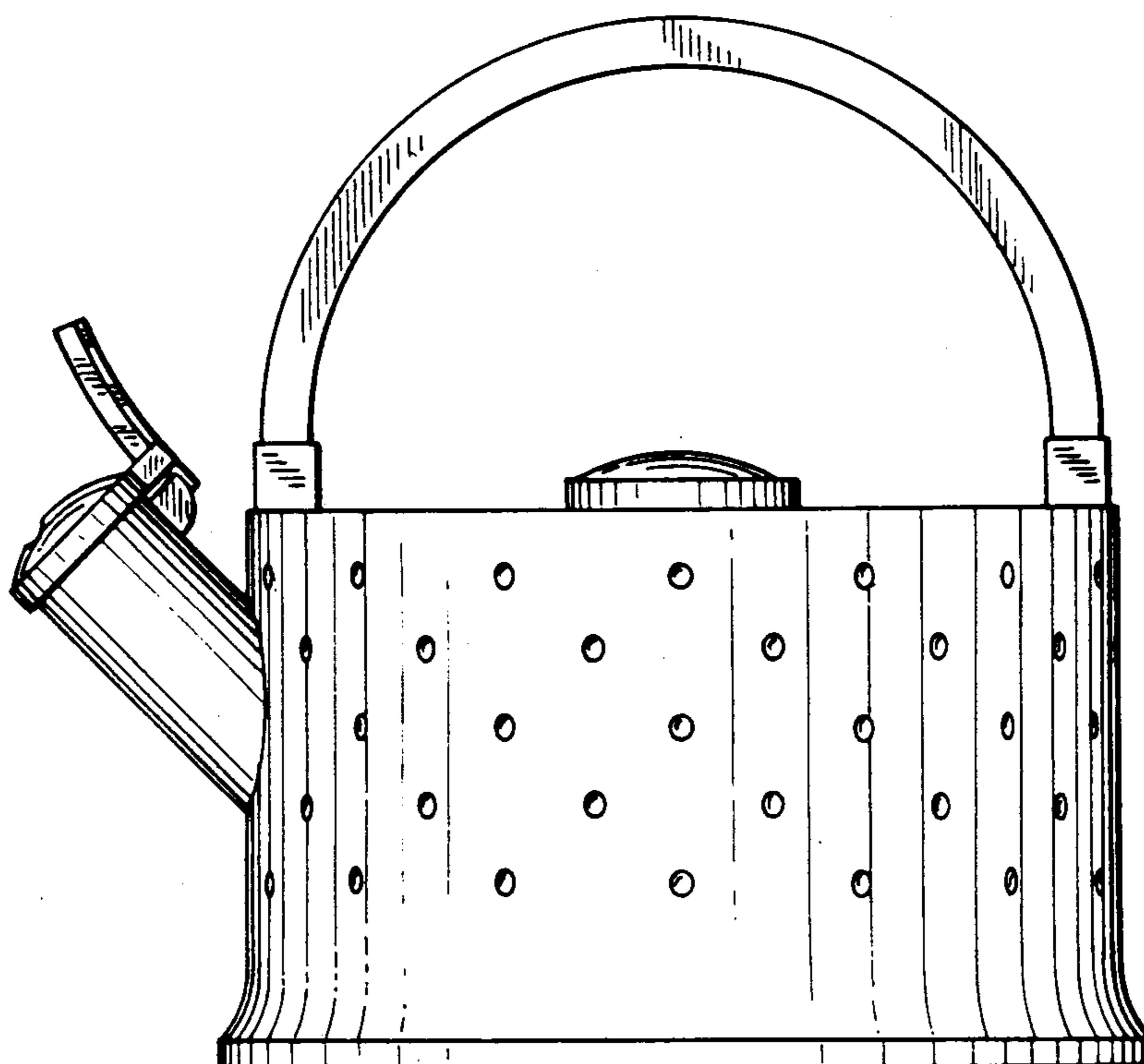
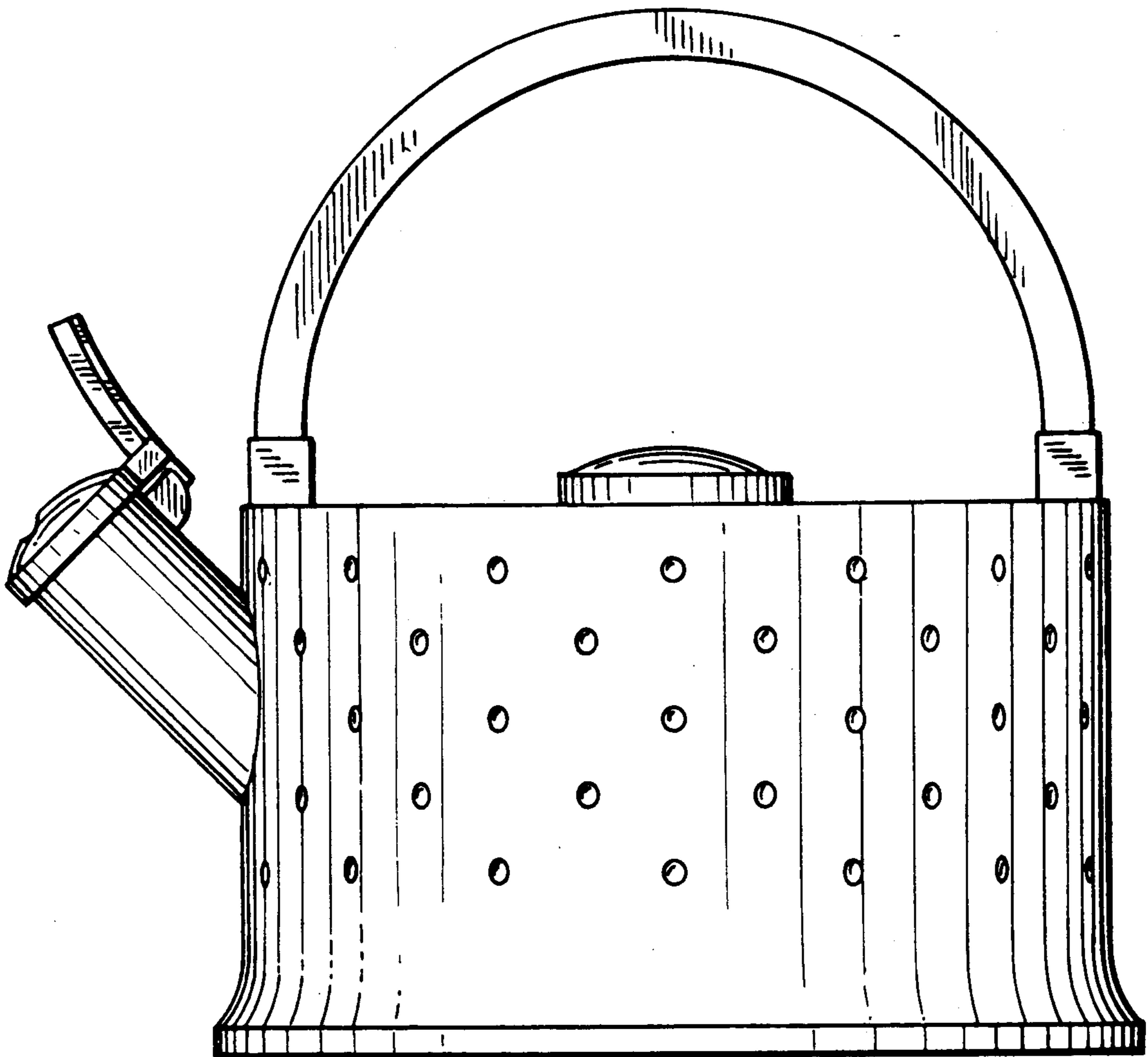


FIG. 1



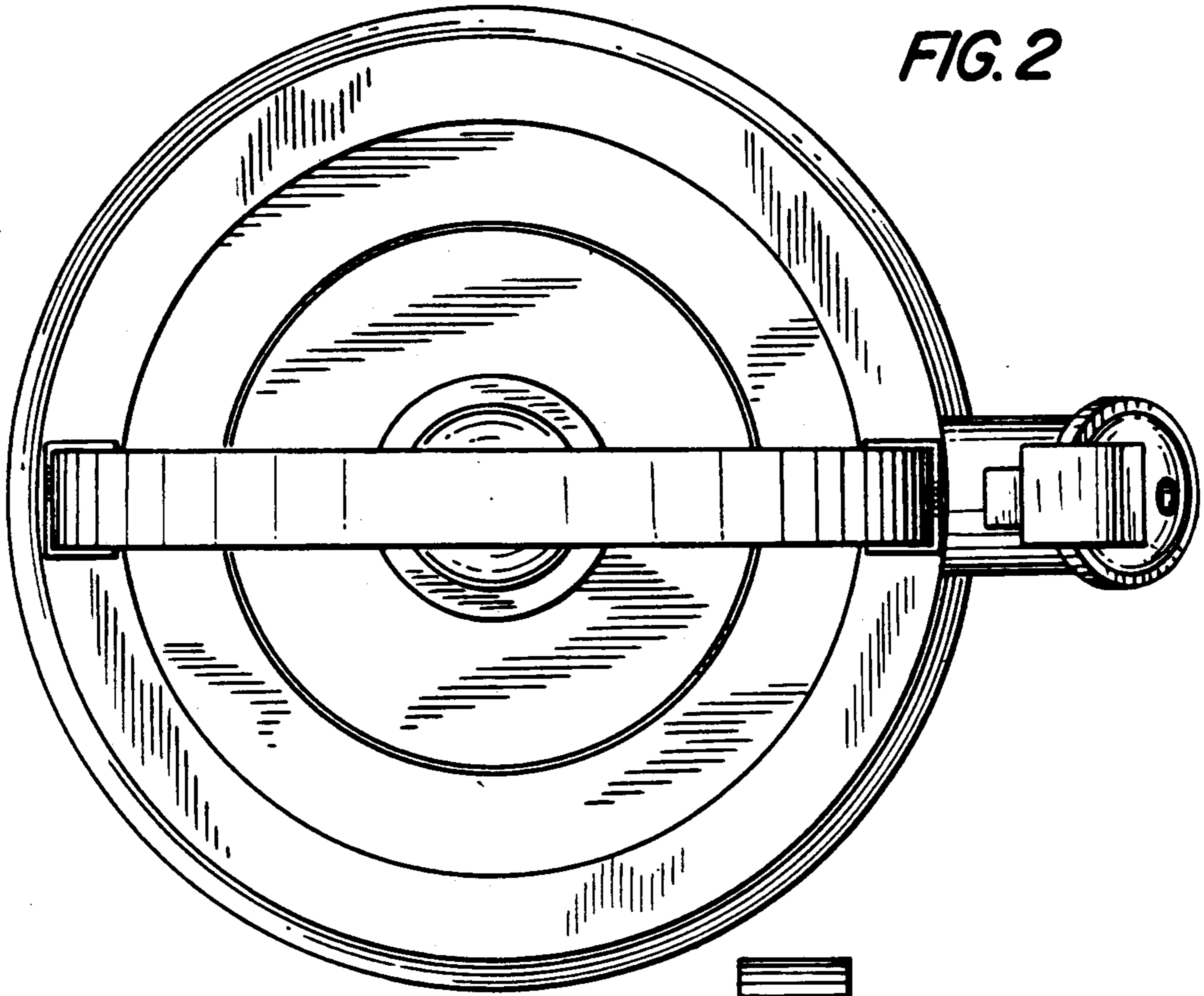
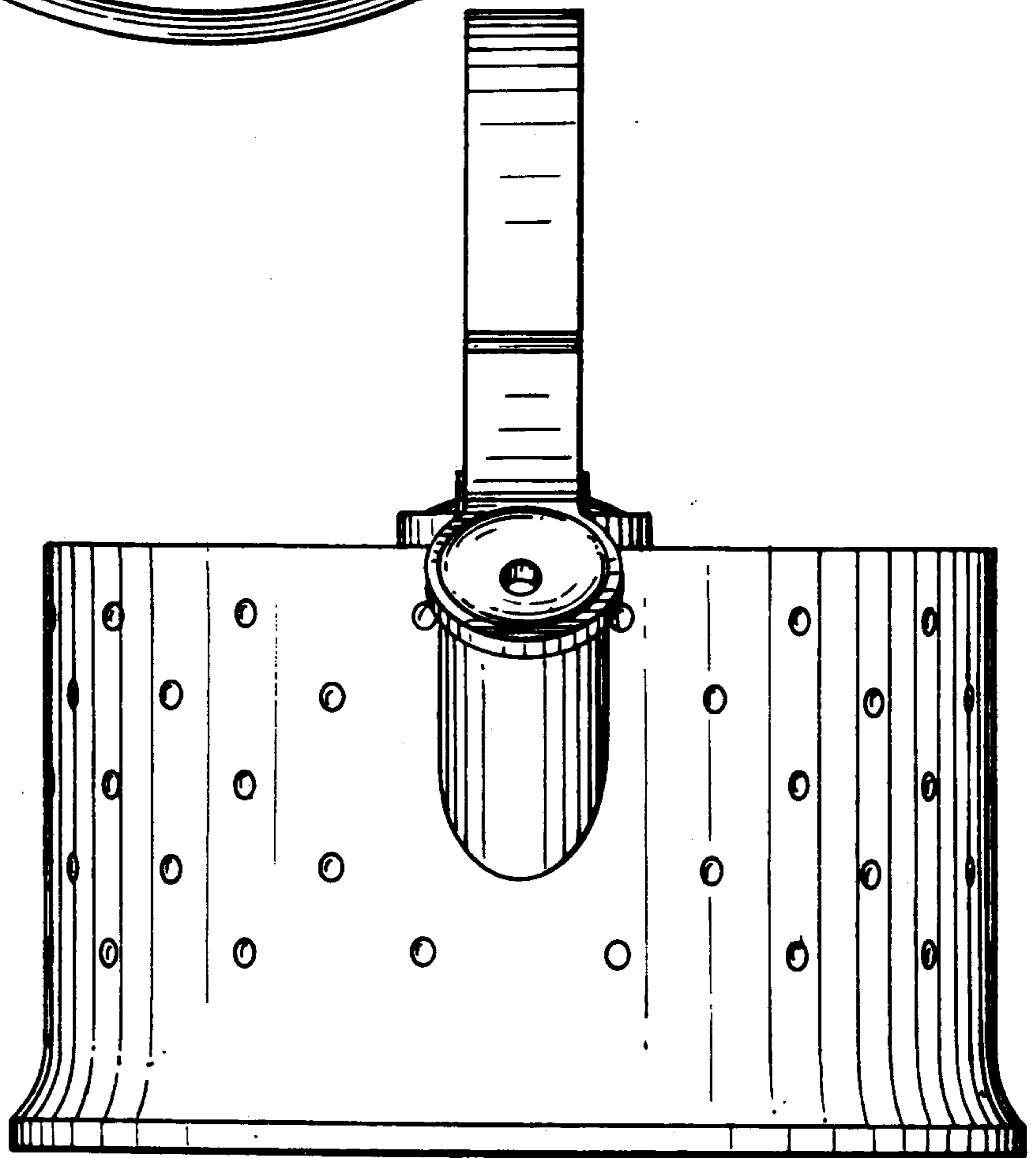


FIG. 2

FIG. 3



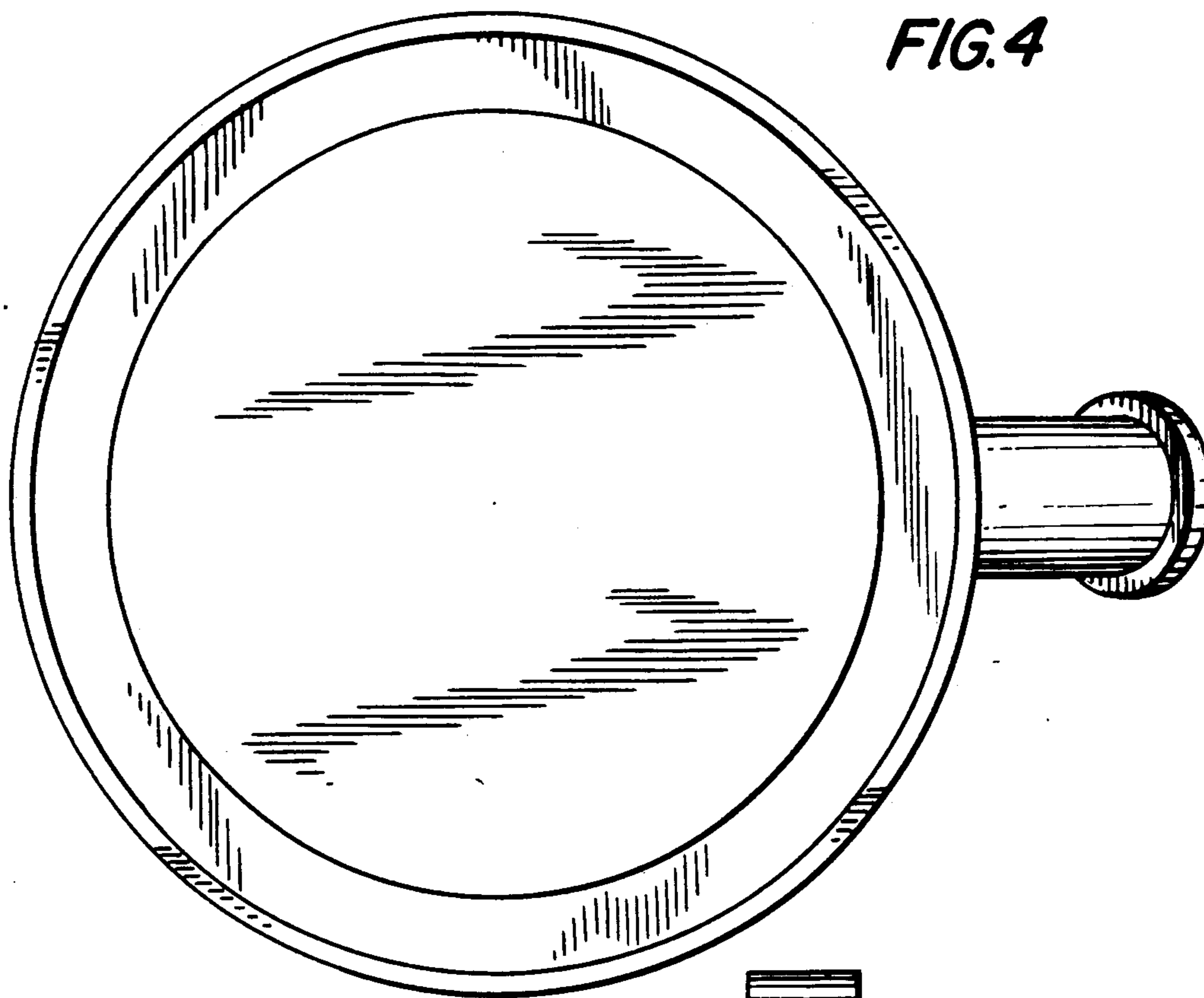


FIG. 4

FIG. 5

