

[54] COFFEE MACHINE

[75] Inventors: Johann Volgger; Ruth Volgger, both of Seon, Switzerland

[73] Assignee: Cafina AG, Switzerland

[**] Term: 14 Years

[21] Appl. No.: 272,203

[22] Filed: Nov. 16, 1988

[52] U.S. Cl. D7/308; D7/311; D20/5

[58] Field of Search D7/300, 301, 305, 306-309, D7/311, 312, 313; D20/4, 5

[56] References Cited

U.S. PATENT DOCUMENTS

D. 100,284 7/1936 Perlman D7/309

D. 190,441 5/1961 Giepen D7/311 X
D. 205,394 8/1966 Richeson D7/308
4,590,975 5/1986 Credle, Jr. D7/305 X

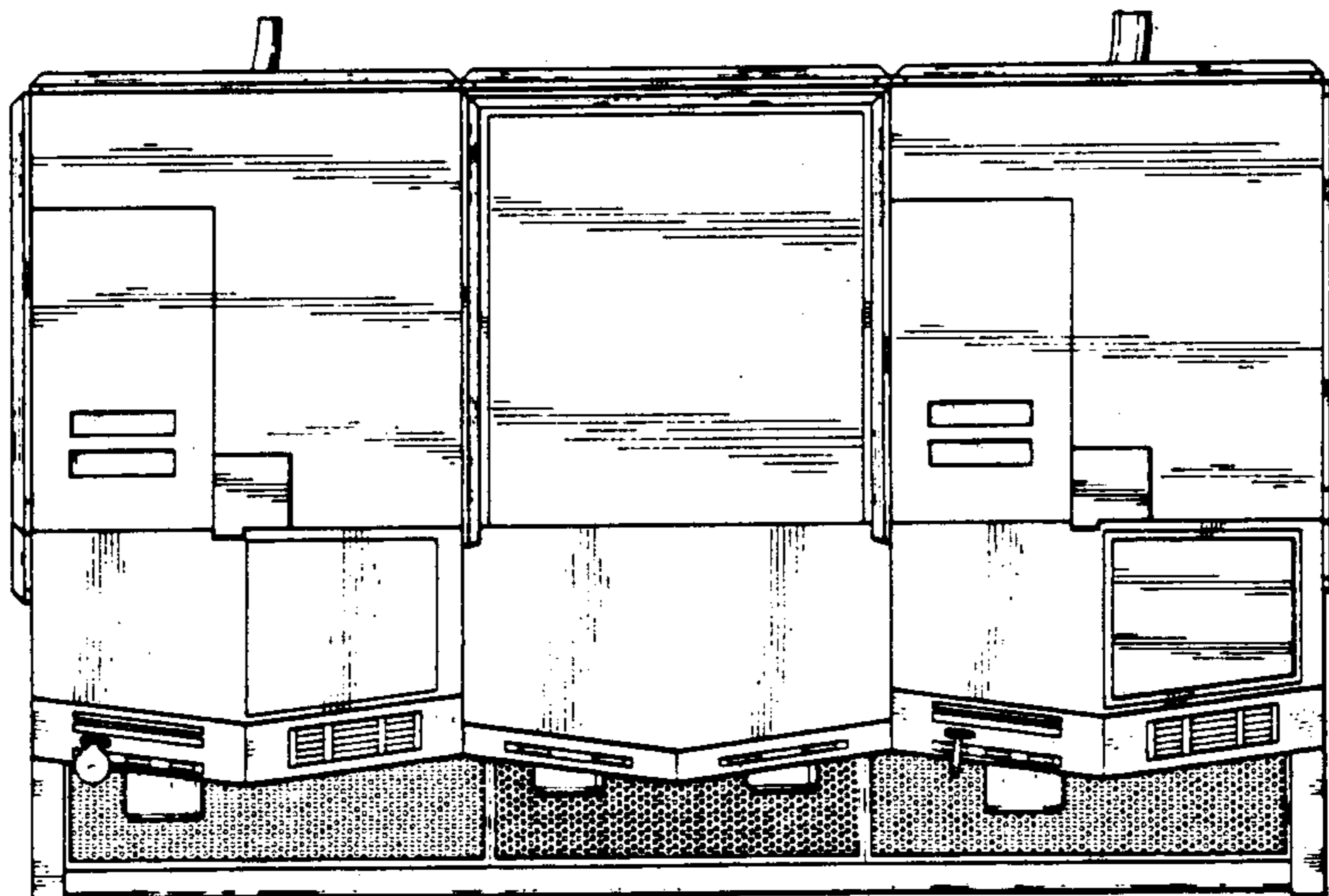
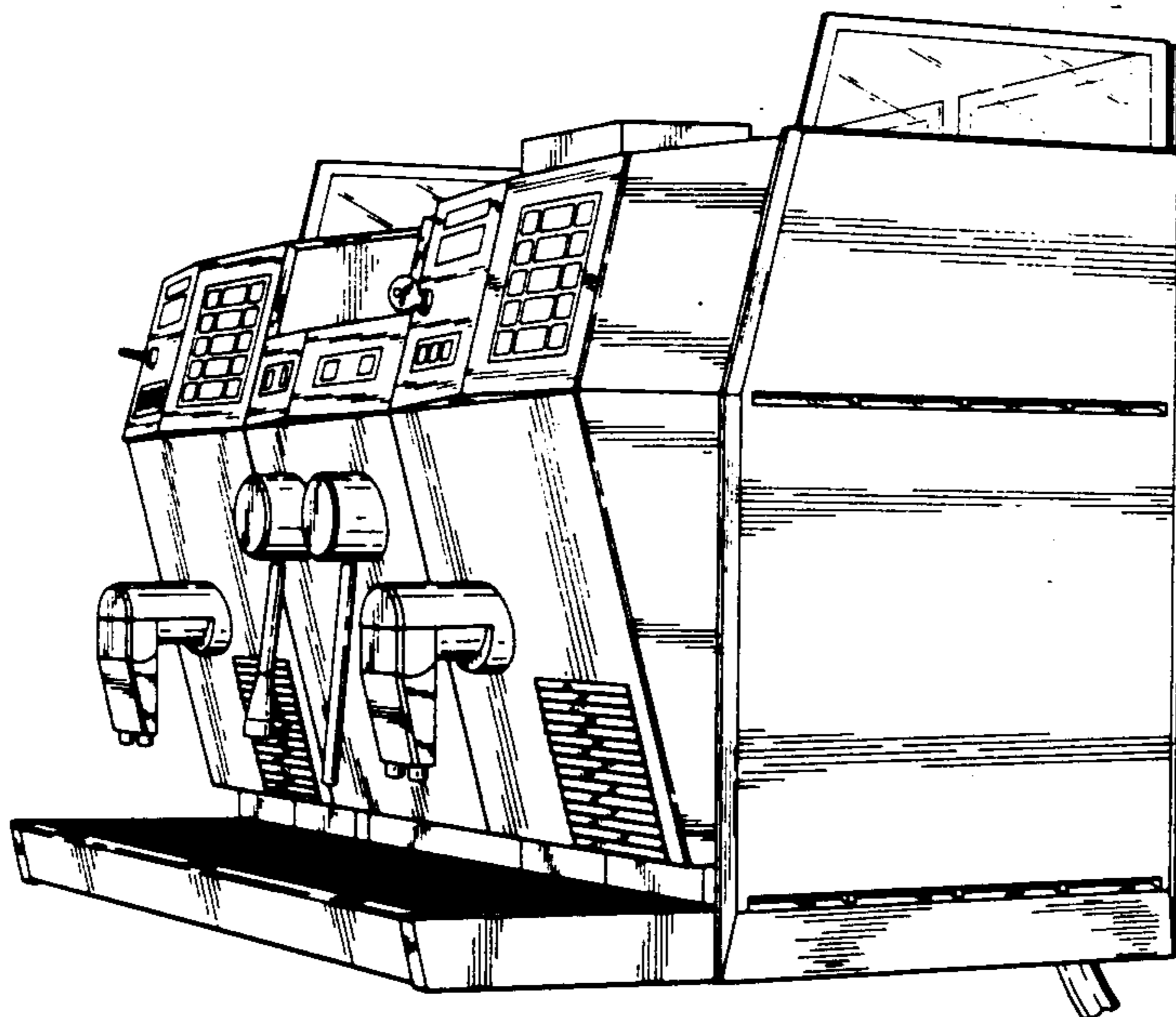
Primary Examiner—Winifred E. Herrmann
Attorney, Agent, or Firm—Tarolli, Sundheim & Covell

[57] CLAIM

The ornamental design for a coffee machine, as shown and described.

DESCRIPTION

FIG. 1 is a front and right side perspective view of a coffee machine showing our new design; FIG. 2 is a left side elevational view; FIG. 3 is a front elevational view; FIG. 4 is a right side elevational view; FIG. 5 is a top plan view; FIG. 6 is a rear elevational view; and FIG. 7 is a bottom plan view thereof.



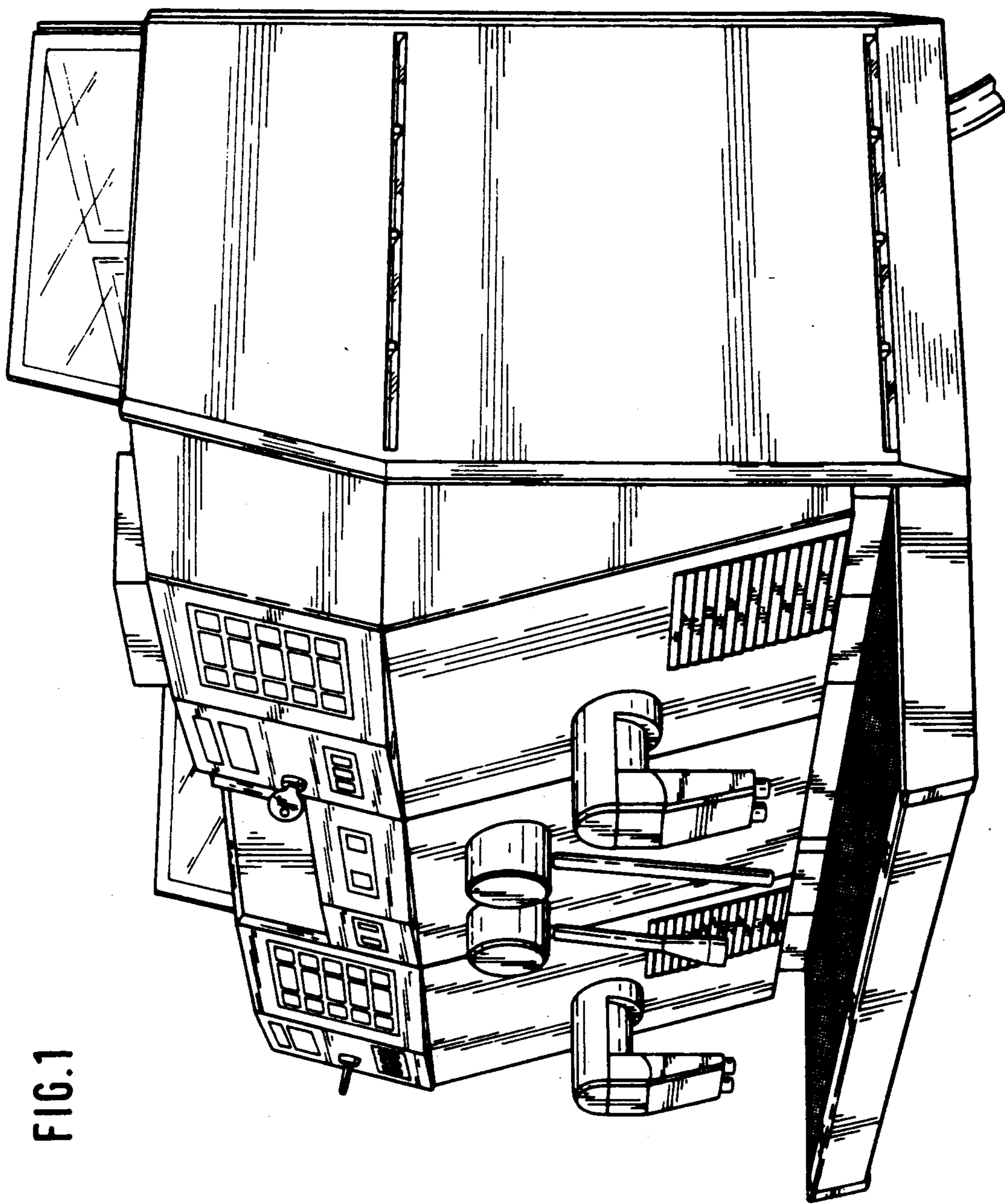


FIG. 1

FIG. 2

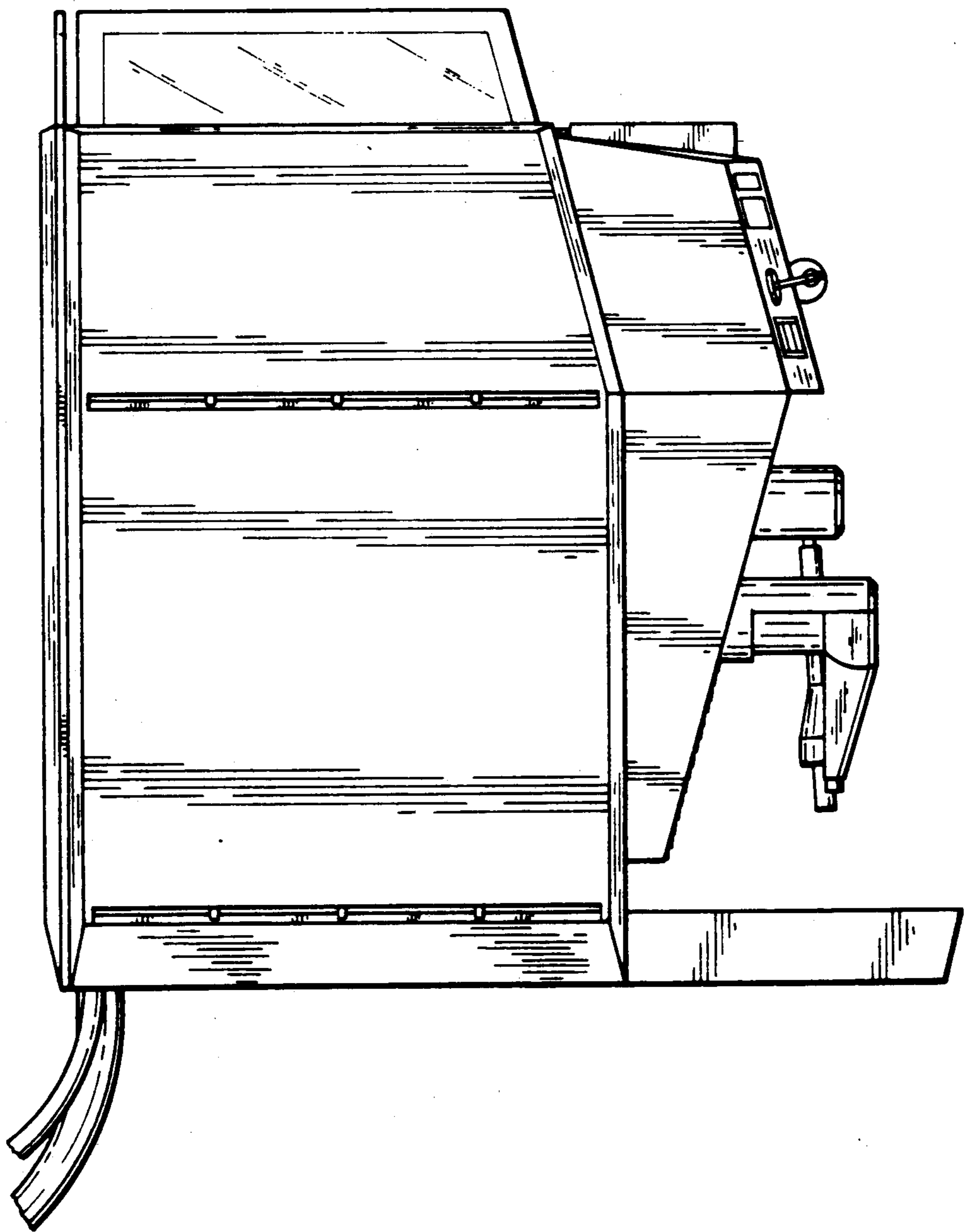


FIG. 3

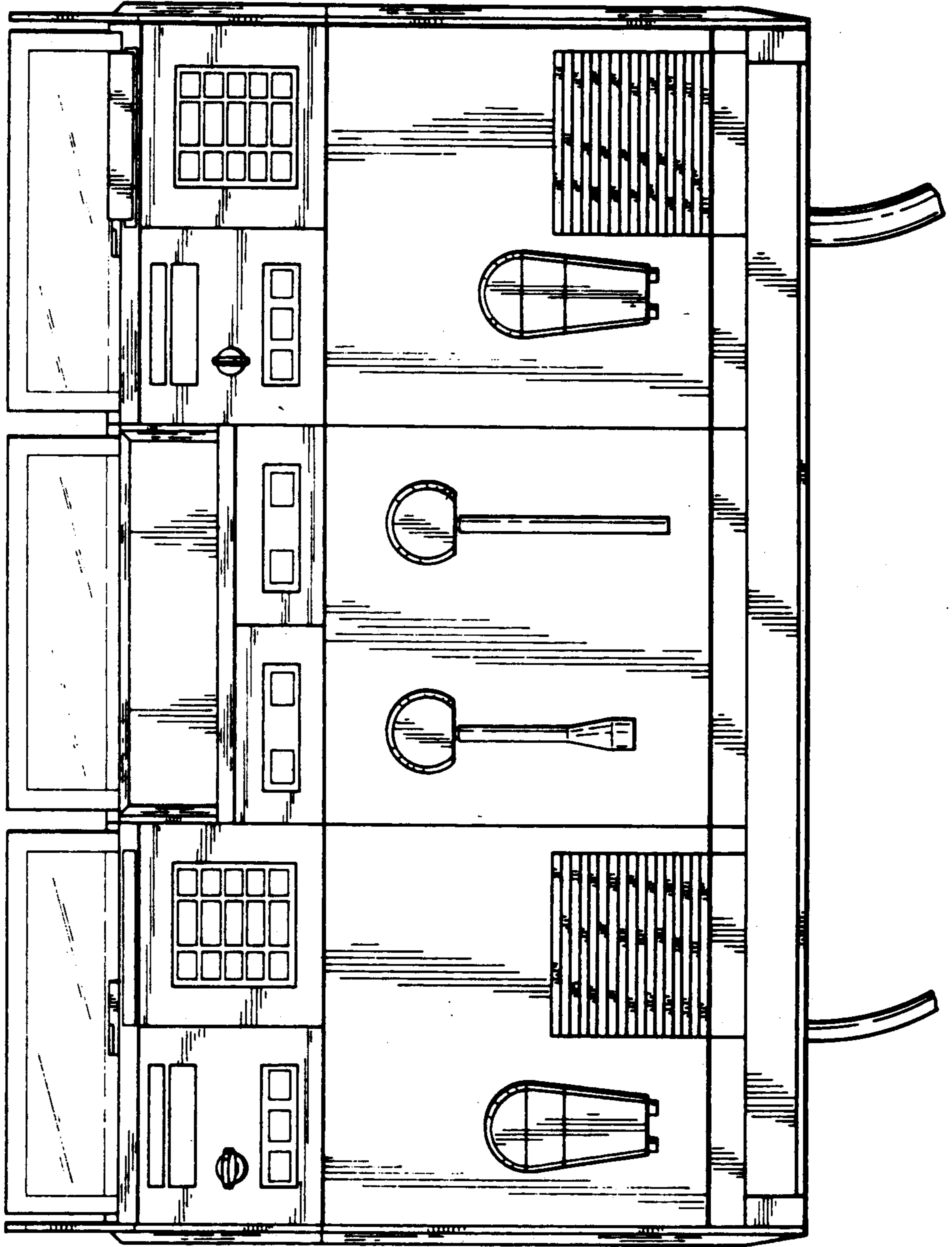


FIG. 4

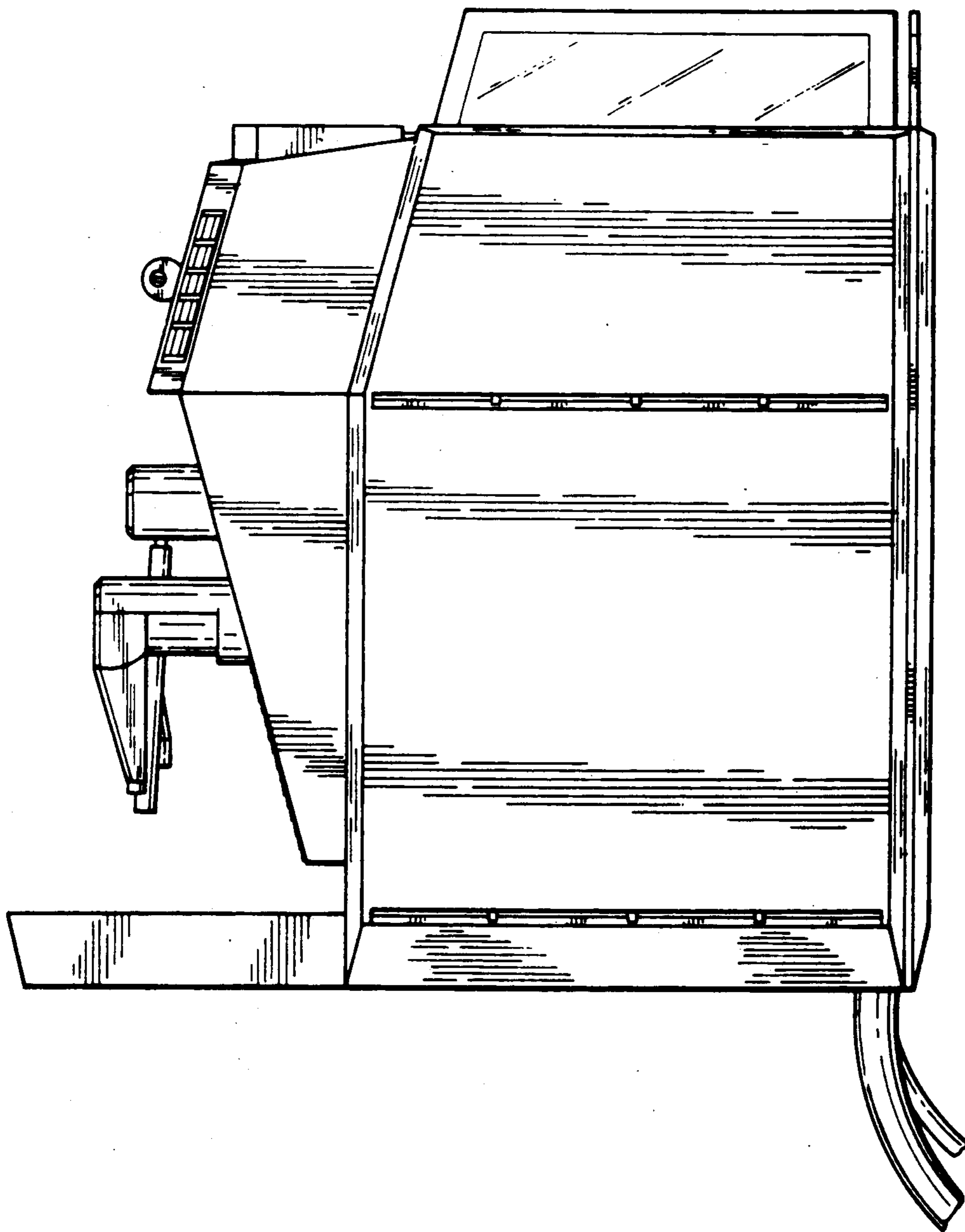
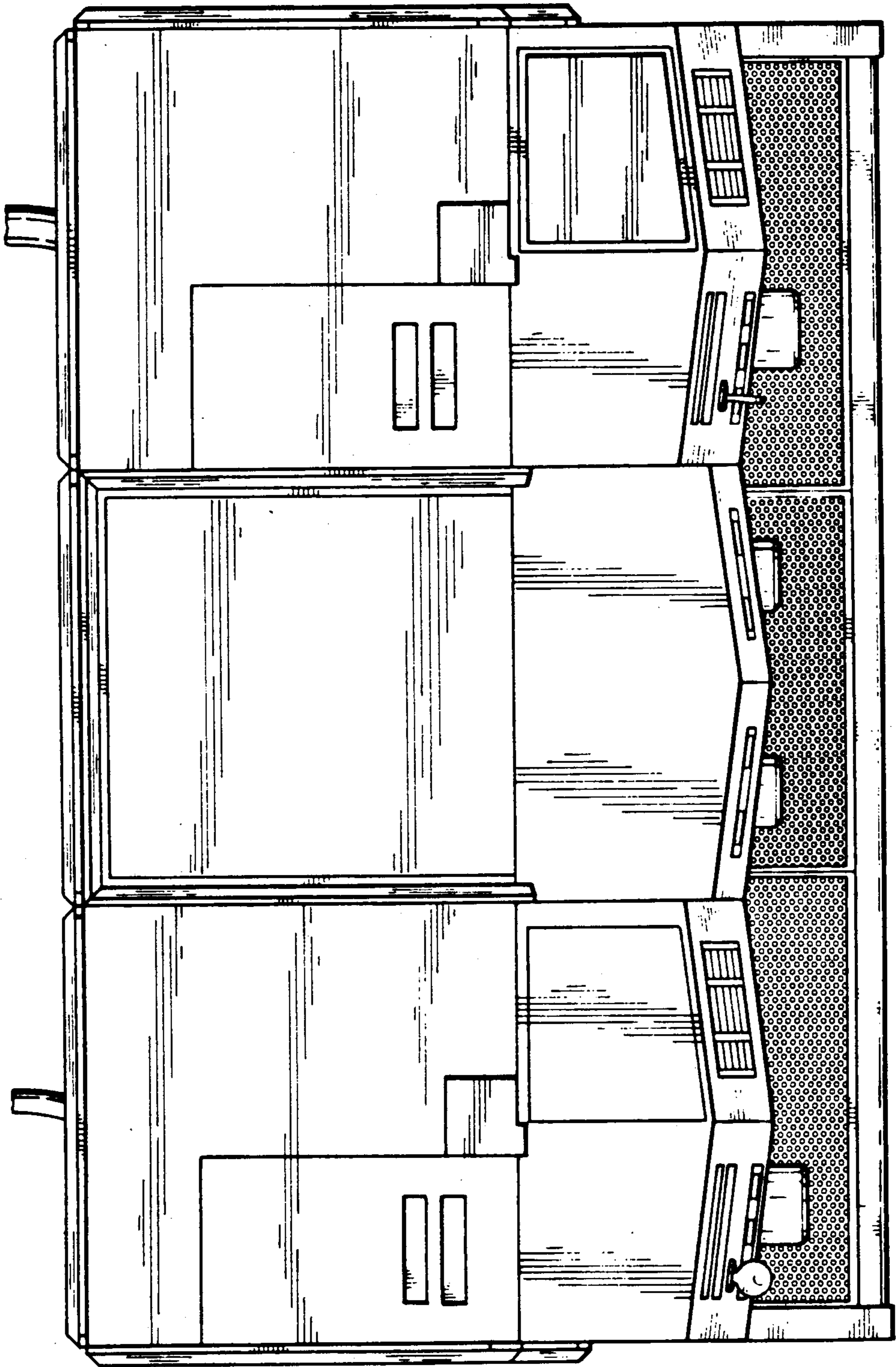


FIG. 5



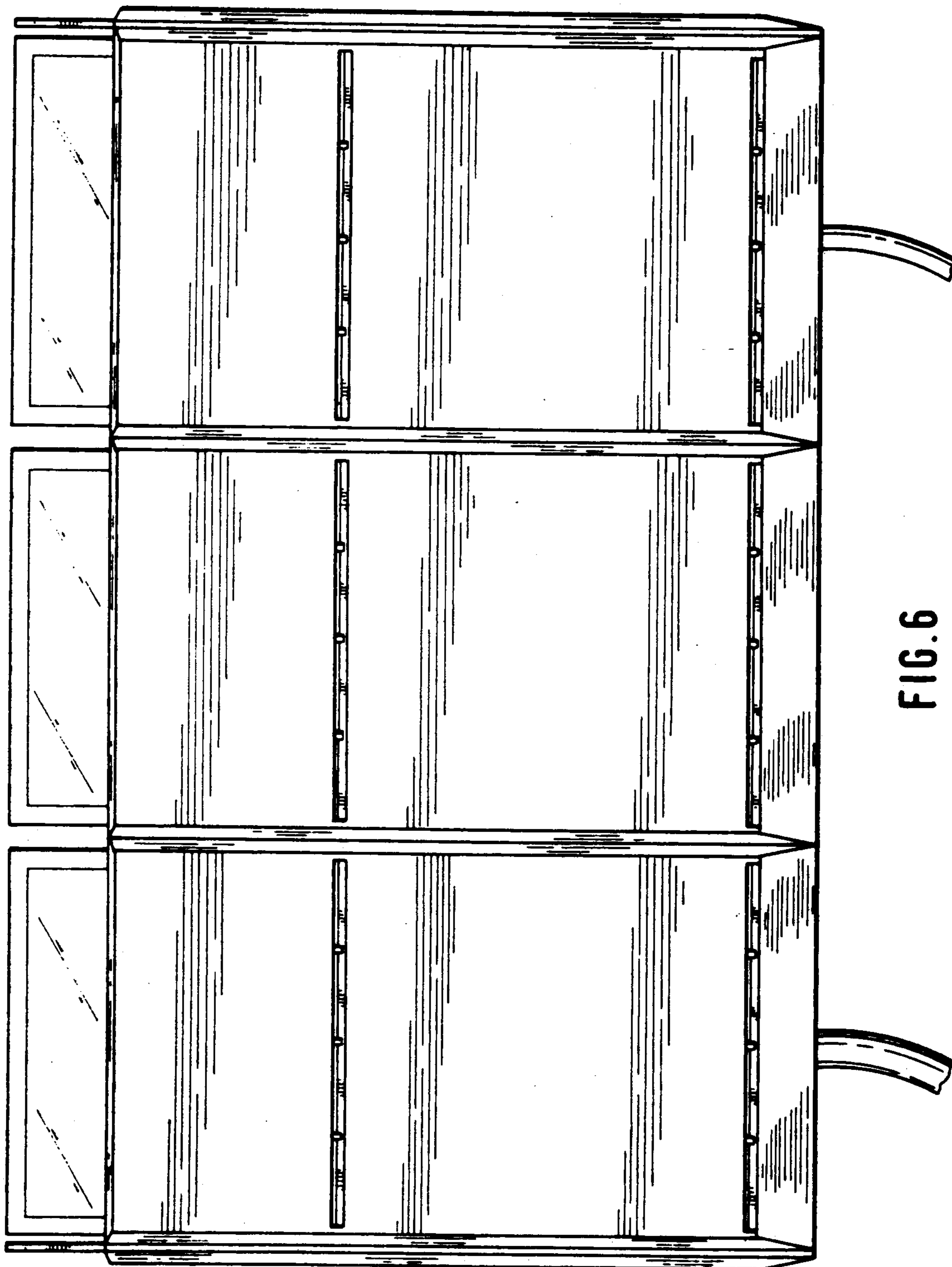


FIG. 6

FIG. 7

