

[54] PAPER TOWEL HOLDER

[76] Inventor: Delvin D. McLaughlin, 14414-13th St., Milan, Ill. 61264

[**] Term: 14 Years

[21] Appl. No.: 361,107

[22] Filed: Jun. 5, 1989

[52] U.S. Cl. D6/522

[58] Field of Search D6/515, 518, 521-523; 312/37-39; 242/55.2, 55.3, 55.53; 222/99-100, 173; 221/22, 30, 33, 45, 282, 284; 211/45; 206/389, 391; D8/107

[56] References Cited

U.S. PATENT DOCUMENTS

D. 223,049	3/1972	Brooks	D6/522
D. 289,592	5/1987	Loughridge	D6/518
1,833,999	12/1931	McCaskey	D6/518 X
3,667,597	6/1972	Hollister	242/55.53 X
3,721,395	3/1973	Snipes	242/55.53
4,113,195	9/1978	Theunisson	242/55.3

4,177,958 12/1979 Poole 312/39 X
4,936,452 6/1990 Pauley 242/55.53 X

Primary Examiner—Wallace R. Burke
Assistant Examiner—Brian N. Vinson
Attorney, Agent, or Firm—Robert O. Richardson

[57] CLAIM

The ornamental design for a paper towel holder, as shown and described.

DESCRIPTION

FIG. 1 is a top, front and right side elevational view of a paper towel holder showing my new design, the broken-line depiction of a portion of paper towel being for illustrative purposes only and forming no part of the claimed design;

FIG. 2 is a front elevational view thereof;

FIG. 3 is a rear elevational view thereof, shown rotated ninety degrees;

FIG. 4 is a right side elevational view thereof, the left side being a mirror image except for the absence of the paper dispensing slit; and

FIG. 5 is a bottom plan view thereof.

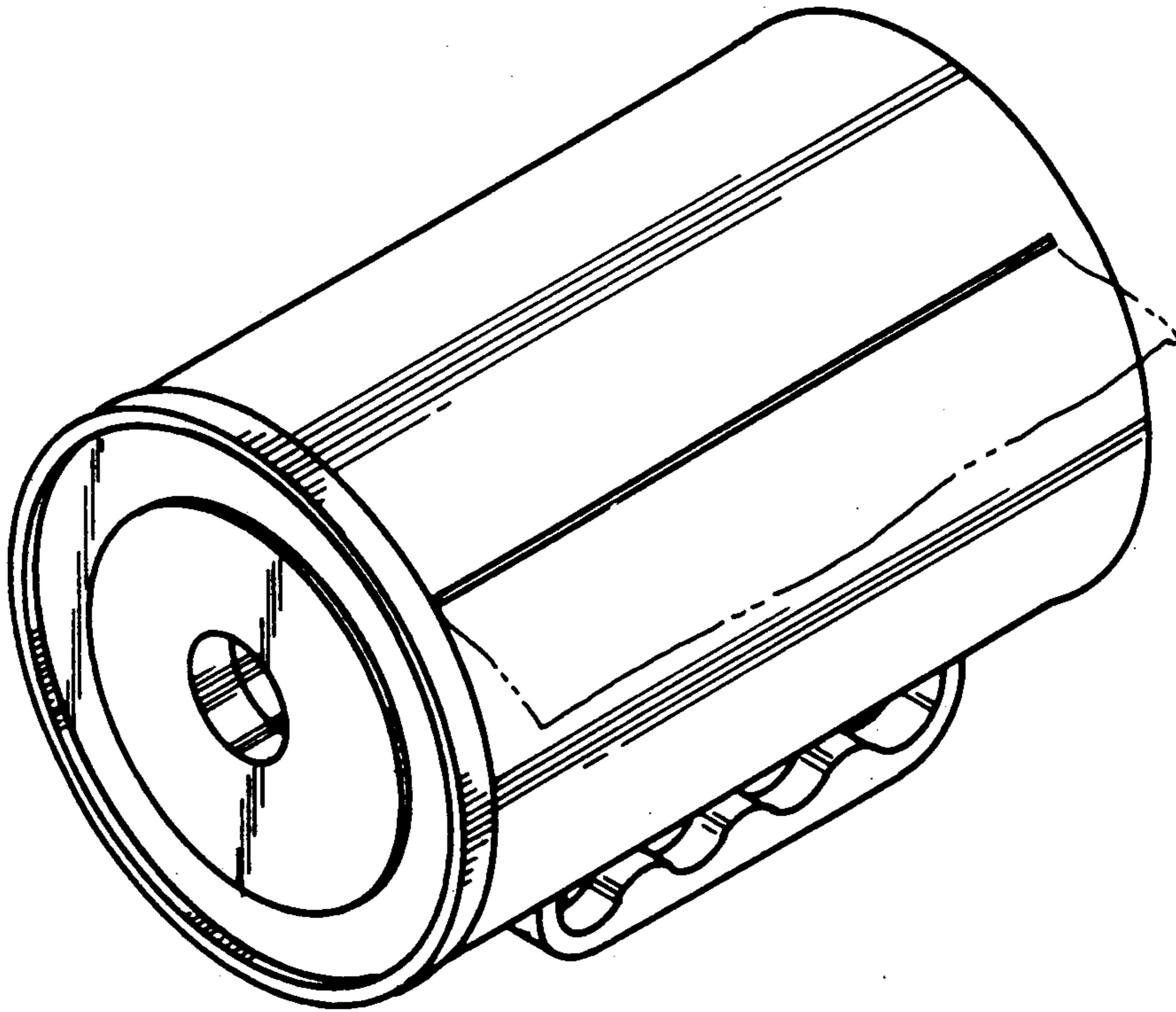


Fig. 1

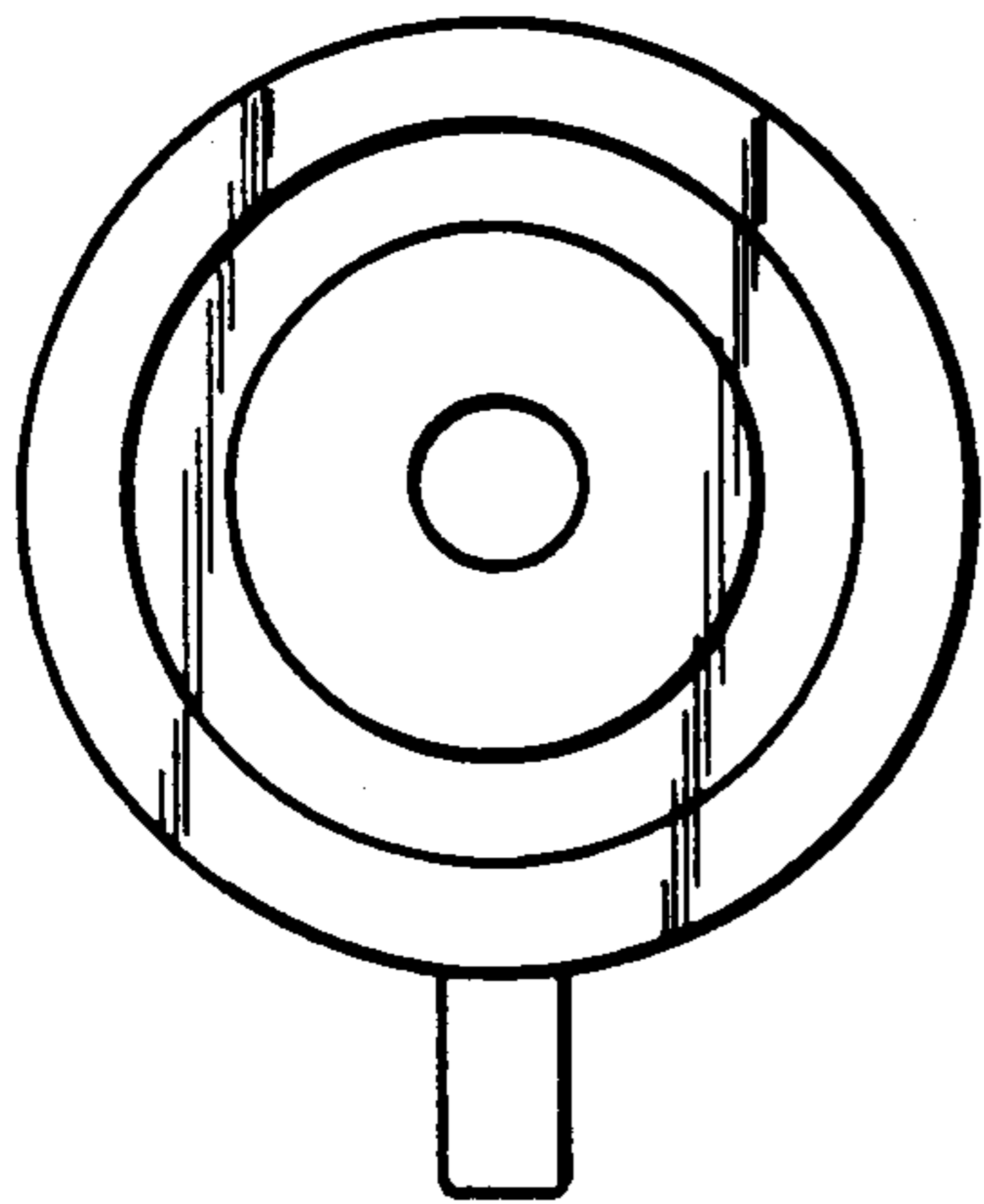
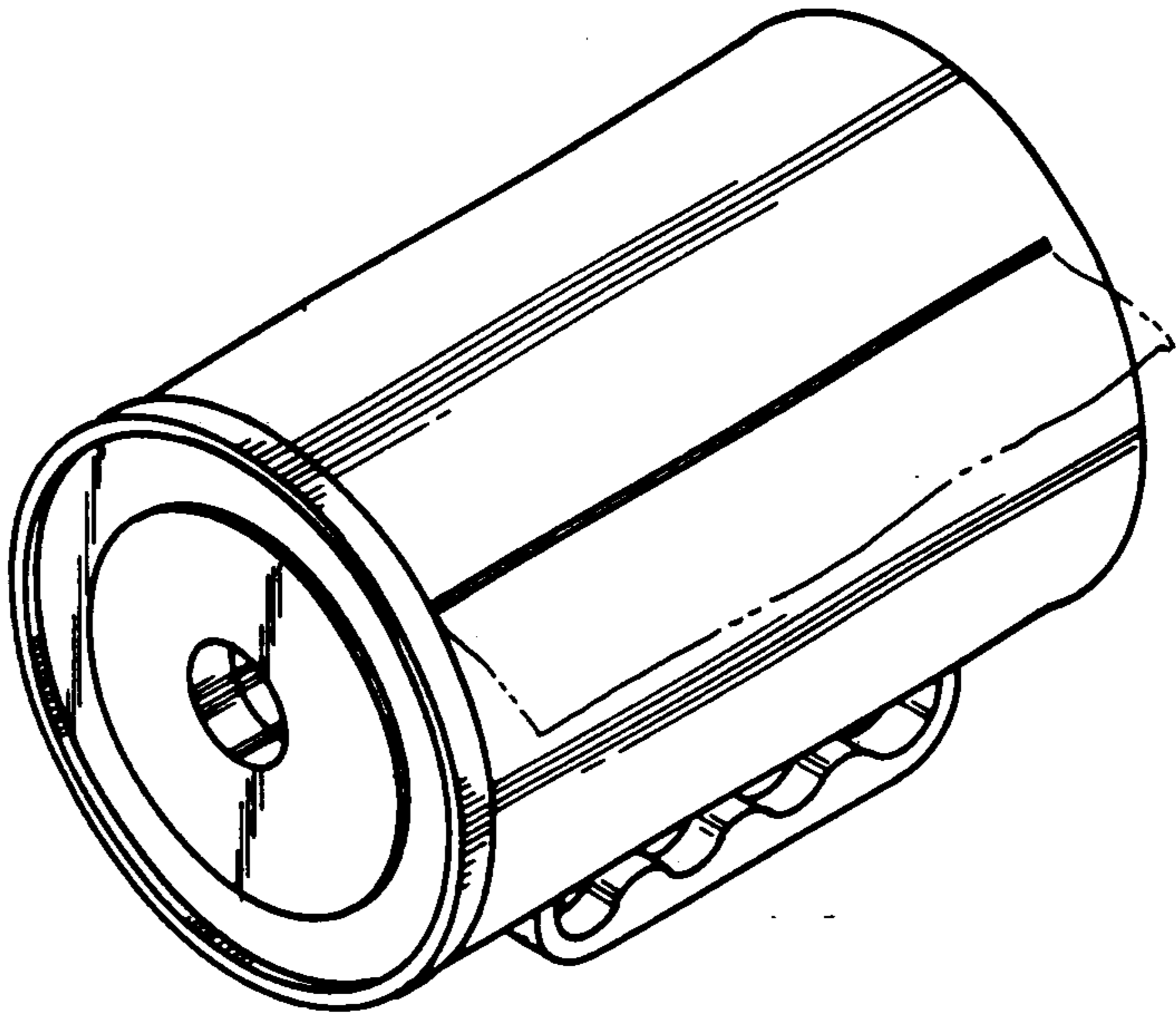


Fig. 2

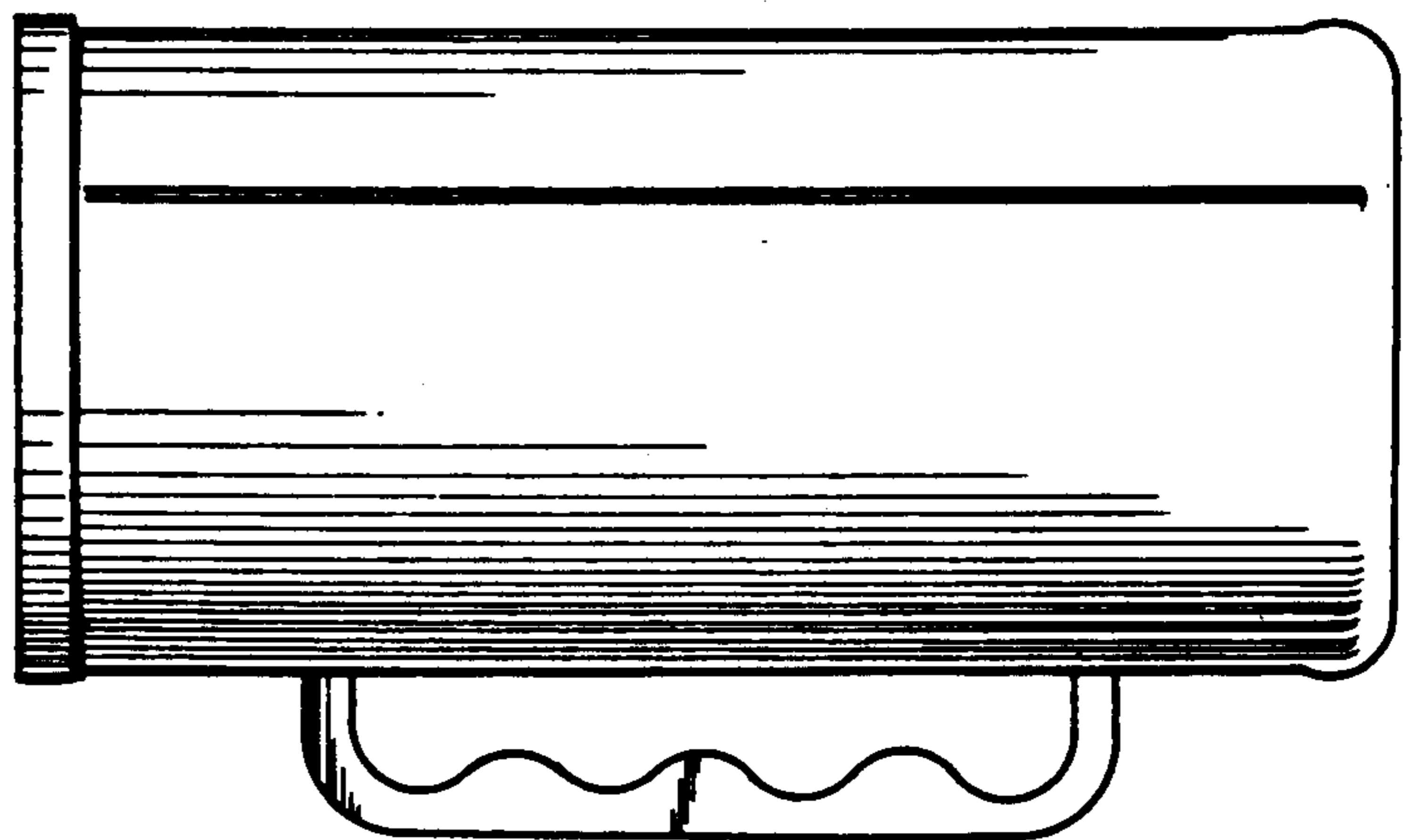


Fig. 4

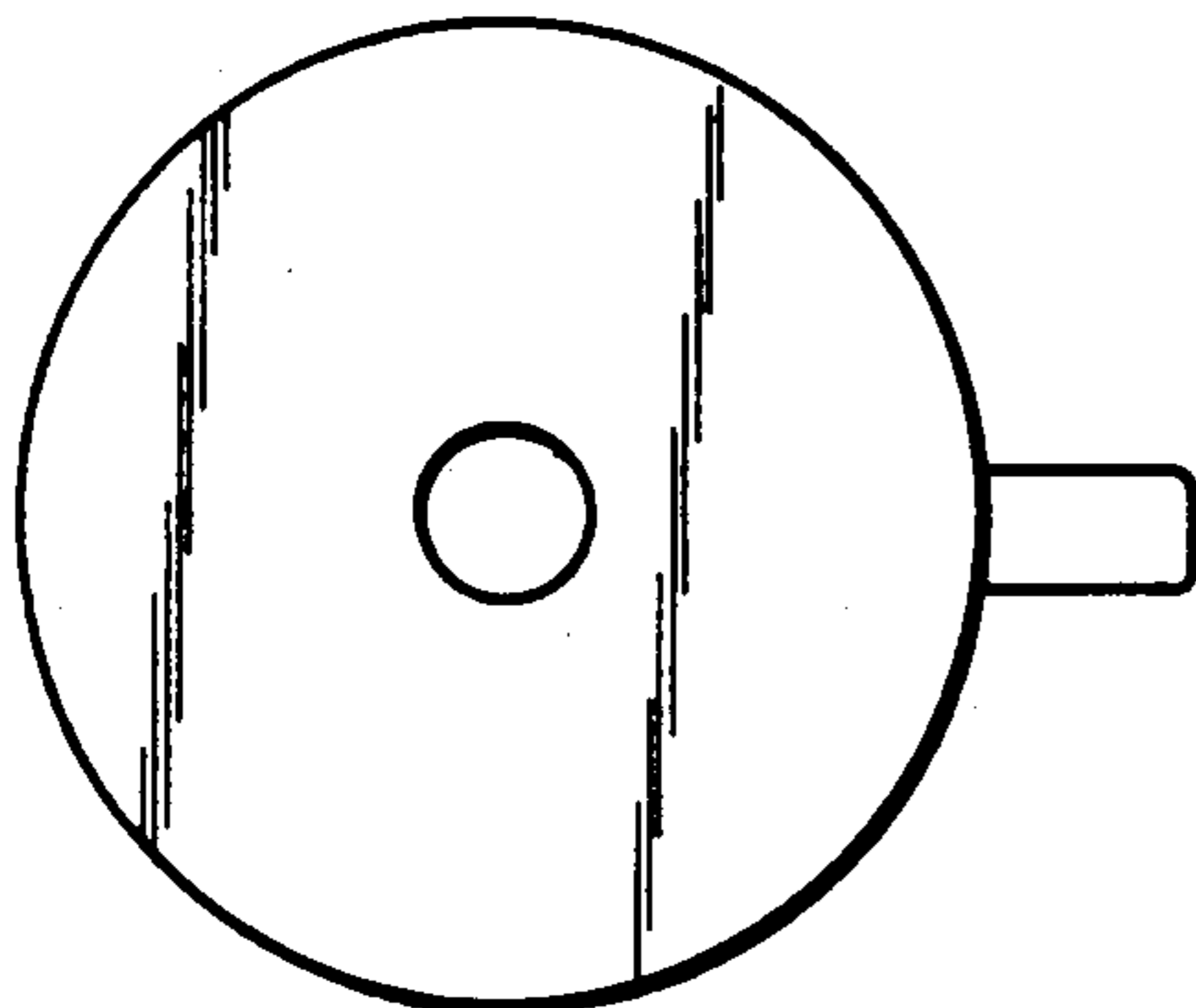


Fig. 3

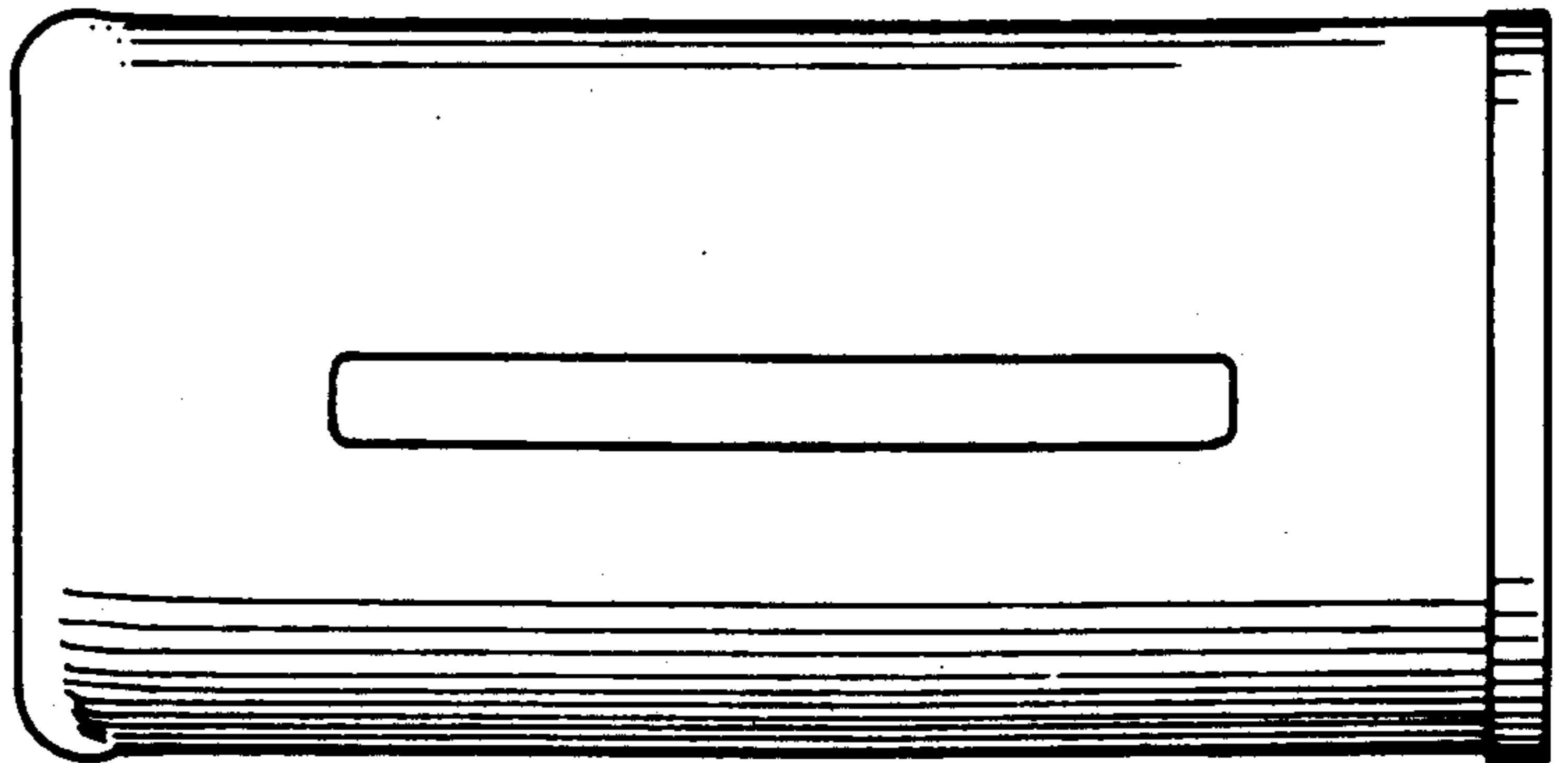


Fig. 5