

[54] DESK FRAME

[75] Inventor: John E. Grout, New South Wales, Australia

[73] Assignee: Ergonomic Equipment Pty. Ltd., Marrickville, Australia

[*] Notice: The portion of the term of this patent subsequent to Jan. 22, 2005, has been disclaimed.

[**] Term: 14 Years

[21] Appl. No.: 32,077

[22] Filed: Mar. 27, 1987

[30] Foreign Application Priority Data

Oct. 8, 1986 [AU] Australia 7011/86

[52] U.S. Cl. D6/491

[58] Field of Search D6/491, 495, 498, 499, D6/480, 484, 487-489, 429

[56] References Cited

U.S. PATENT DOCUMENTS

- D. 164,528 9/1951 Voigt D6/495
- D. 269,237 6/1983 Burdick D6/495
- D. 283,094 3/1986 Strand et al. D6/484 X
- D. 302,890 8/1989 Ng et al. D6/487 X

Primary Examiner—Bruce W. Dunkins

Assistant Examiner—Janice E. Seeger

Attorney, Agent, or Firm—Ladas & Parry

[57] CLAIM

The ornamental design for a desk frame, as shown.

DESCRIPTION

FIG. 1 is a perspective view of a desk frame, showing my new design;

FIG. 2 is a top plan view thereof;

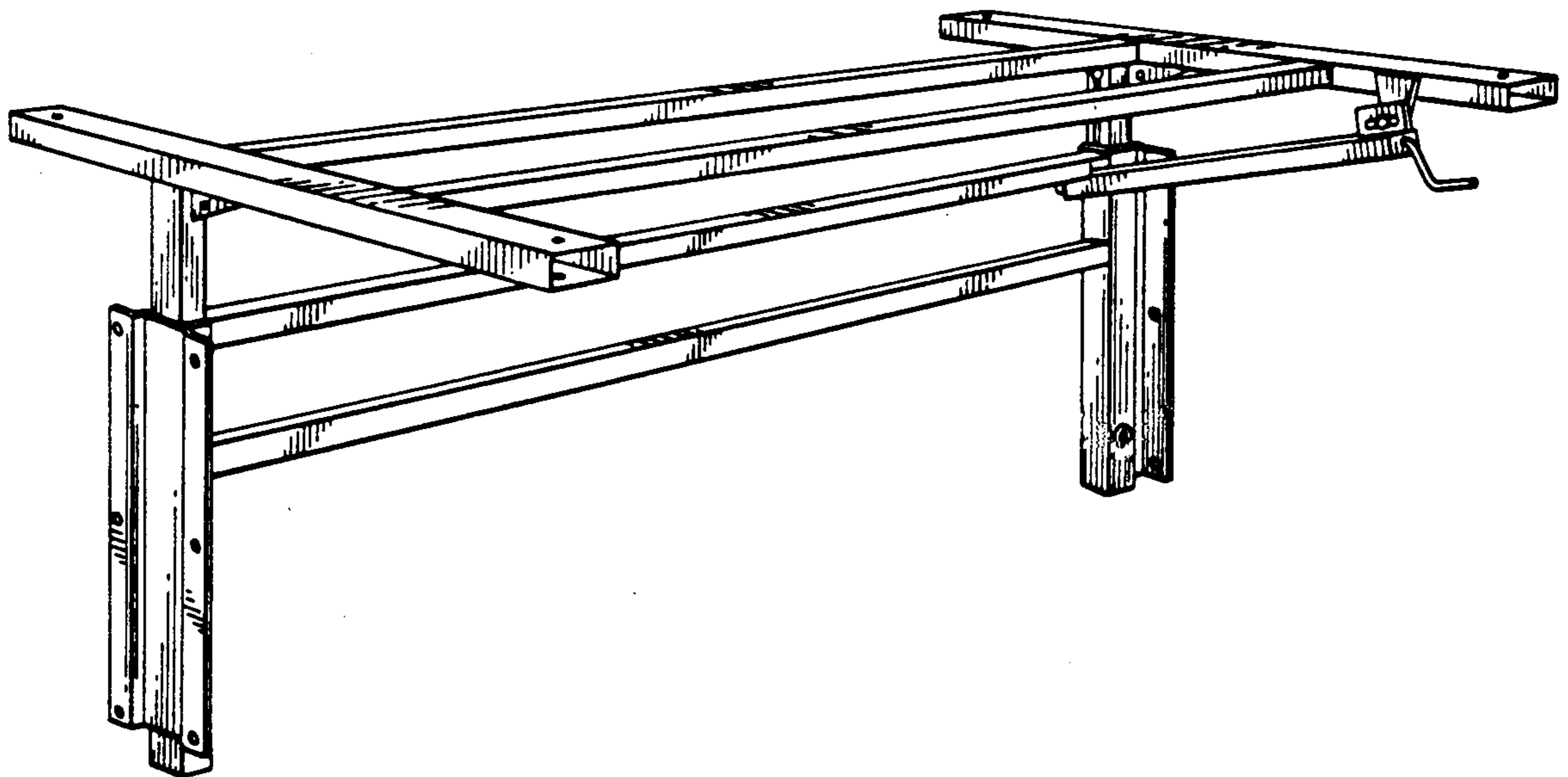
FIG. 3 is a front elevational view thereof;

FIG. 4 is a rear elevational view thereof;

FIG. 5 is a bottom plan view thereof;

FIG. 6 is a right side elevational view thereof; and

FIG. 7 is left side elevational view thereof.



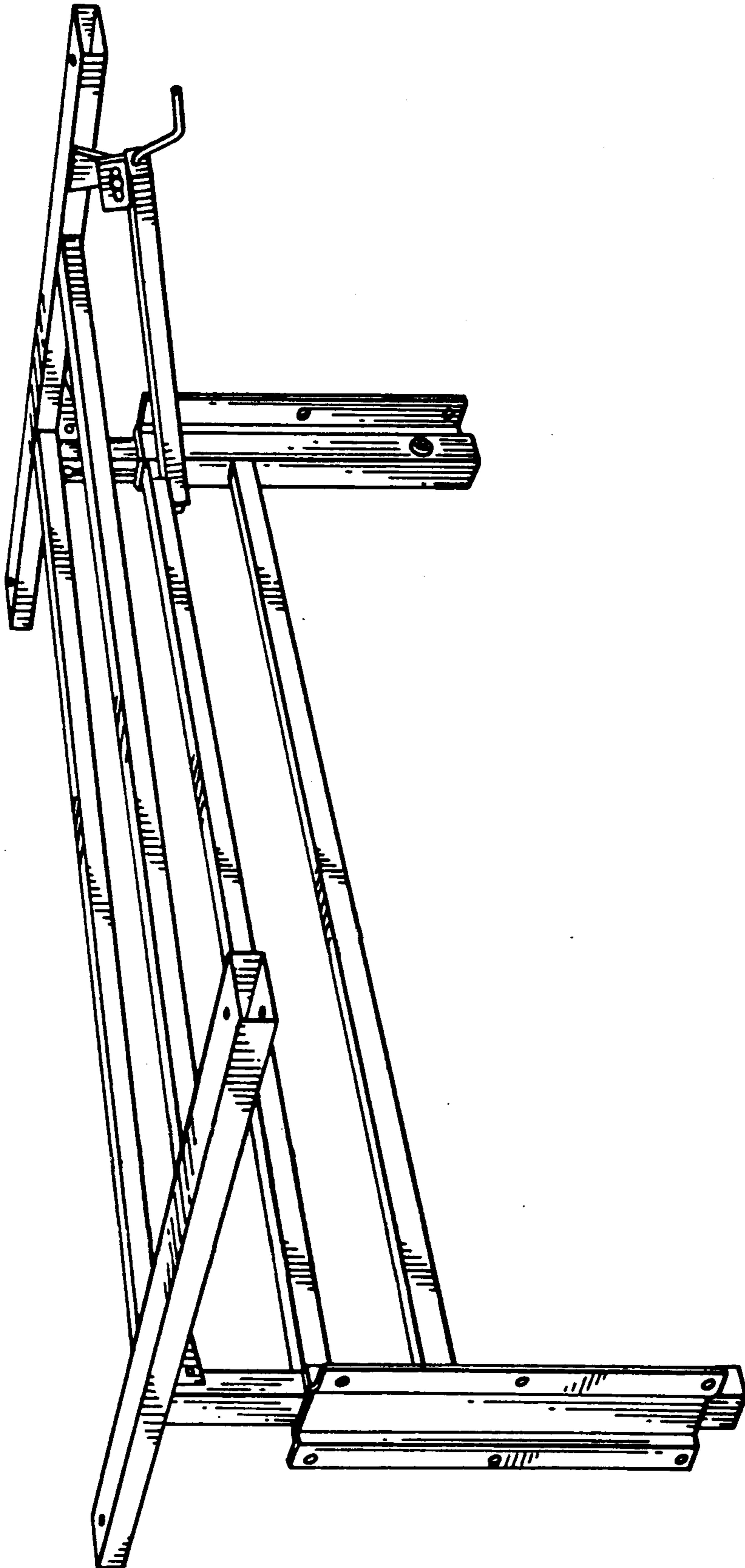


FIG. 1

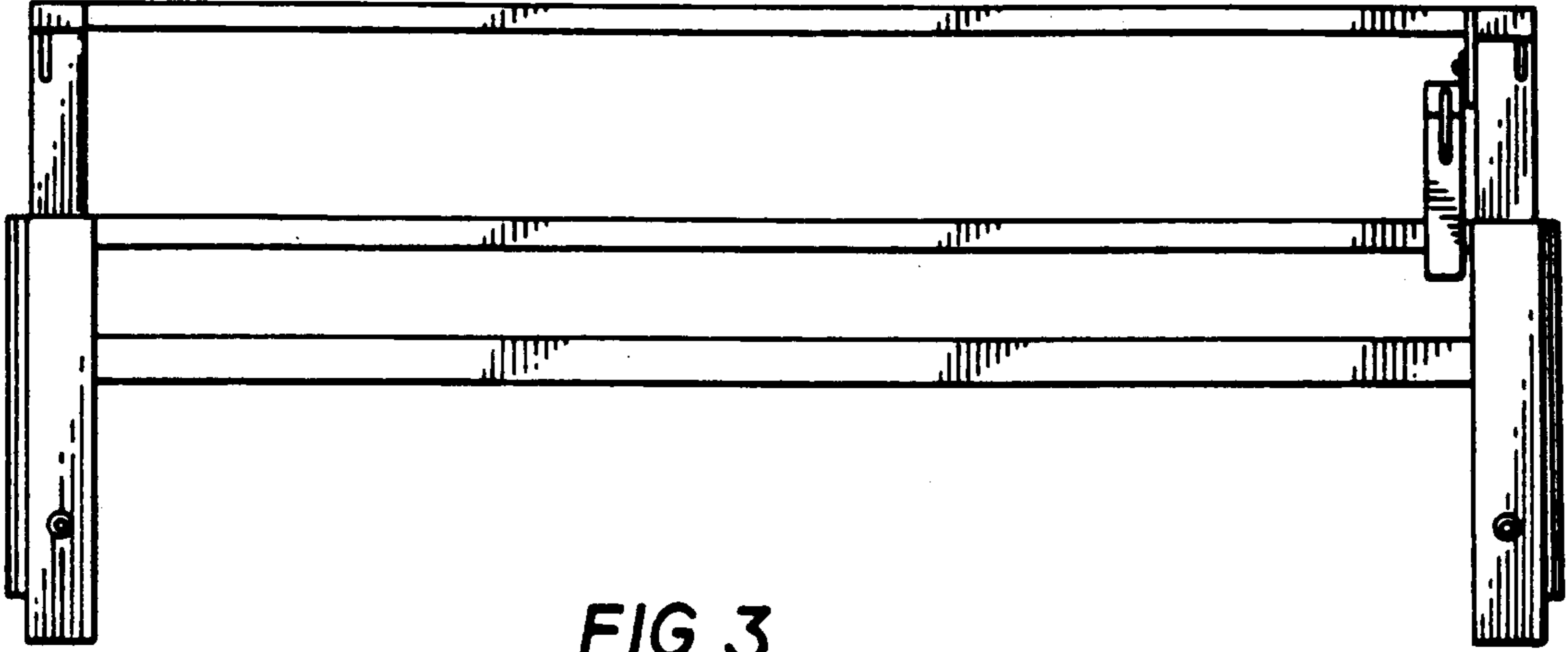


FIG. 3

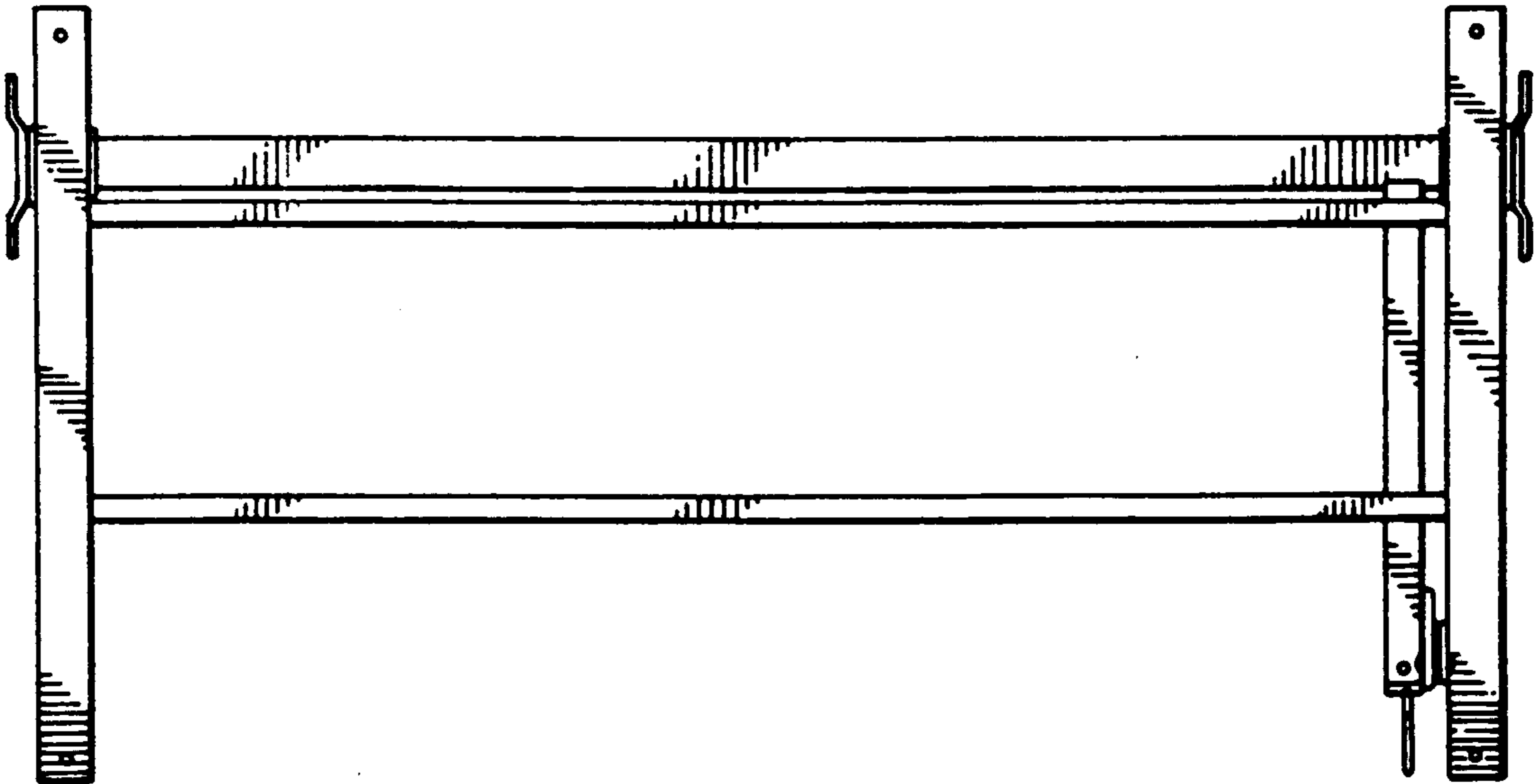


FIG. 2

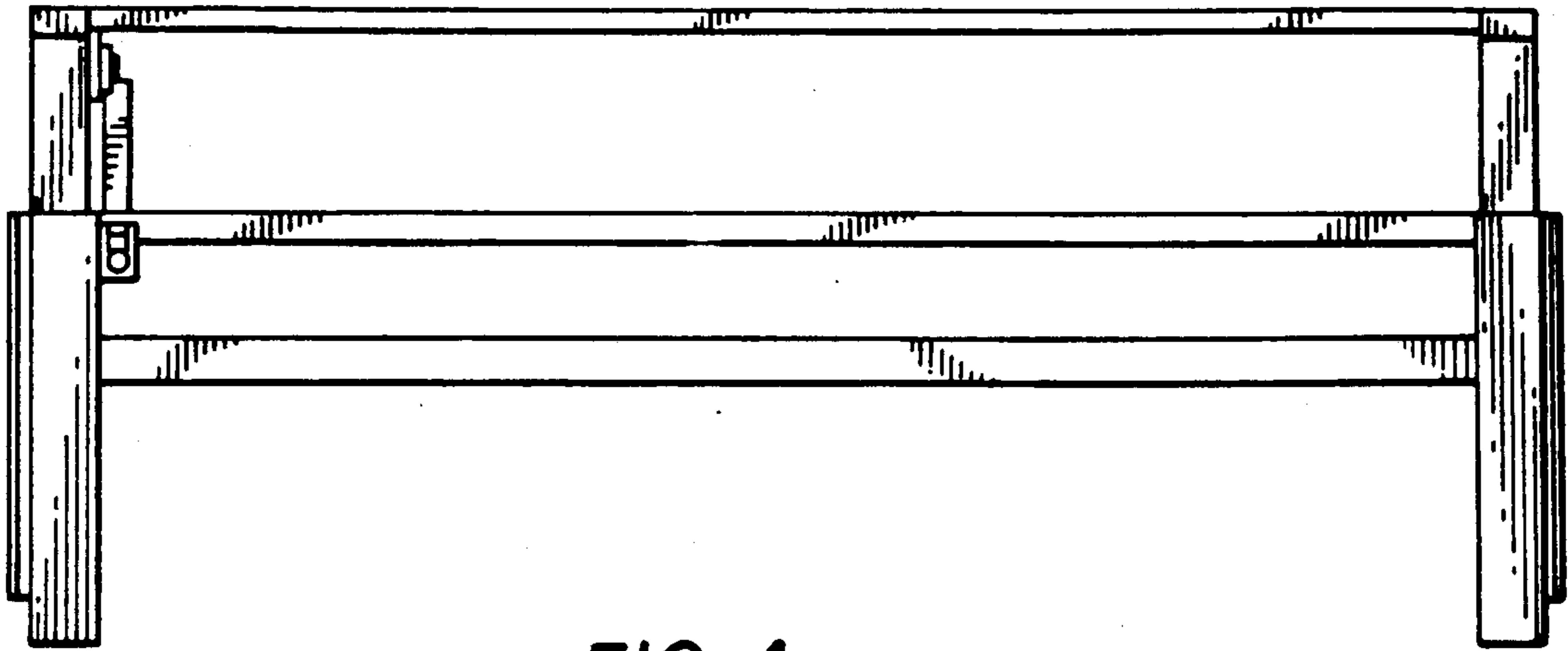


FIG. 4

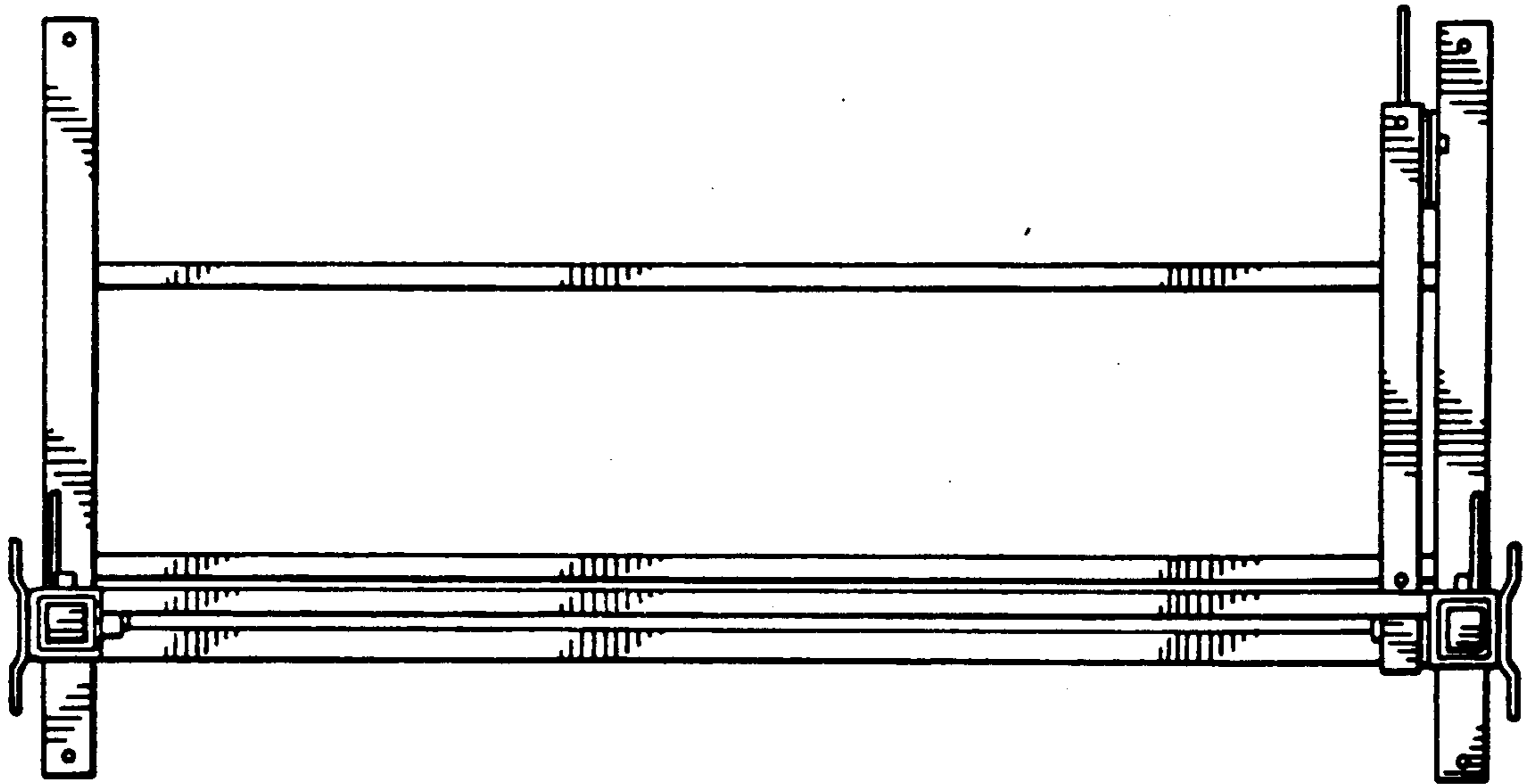


FIG. 5

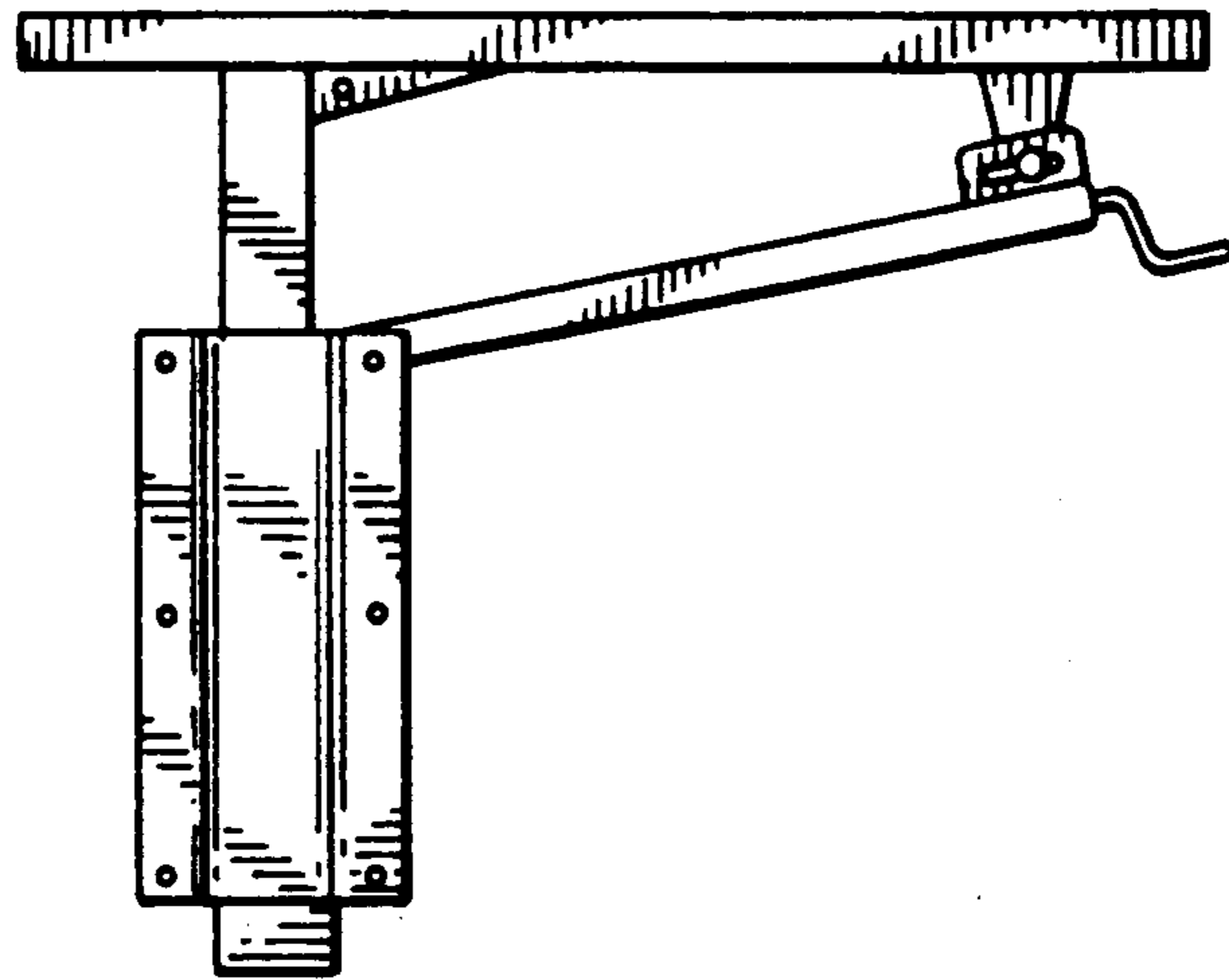


FIG. 7

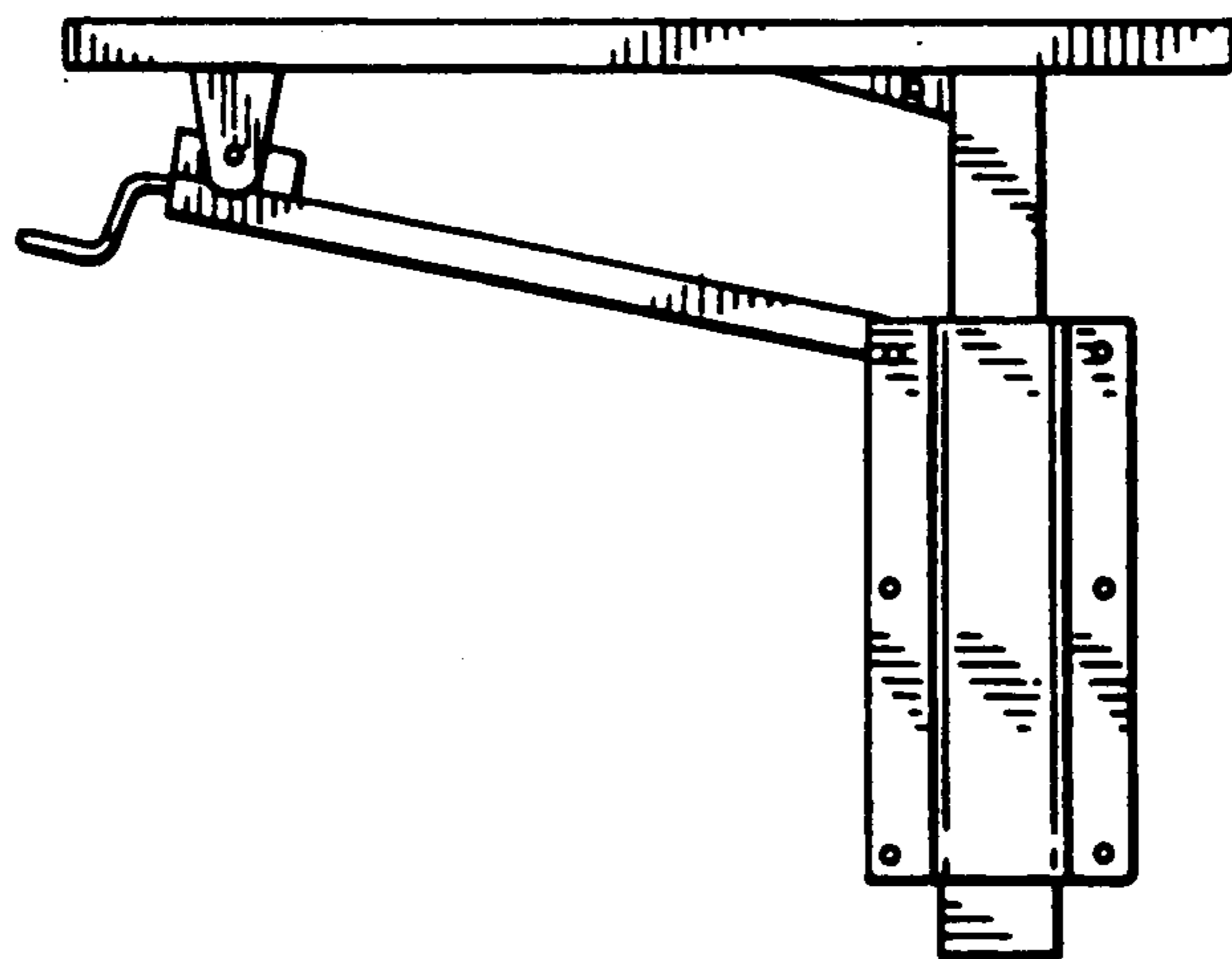


FIG. 6