

[54] SUSPENDERS

[75] Inventor: Paul Schott, 104 Chestnut Hill Rd., Trumbull, Conn. 06611

[73] Assignee: Paul Schott, New York, N.Y.

[**] Term: 14 Years

[21] Appl. No.: 91,044

[22] Filed: Aug. 31, 1987

[52] U.S. Cl. D2/626

[58] Field of Search D2/626, 639, 640, 624; 2/340, 304-306, 301, 230, 323, 326-329; 24/516, 515, 301, 191, 305

[56] References Cited

U.S. PATENT DOCUMENTS

D. 312,347 11/1990 Brown et al. D2/626

287,020 10/1883 Greely 2/326
666,770 1/1901 Miller 24/191
799,464 9/1905 Heilbron D2/626

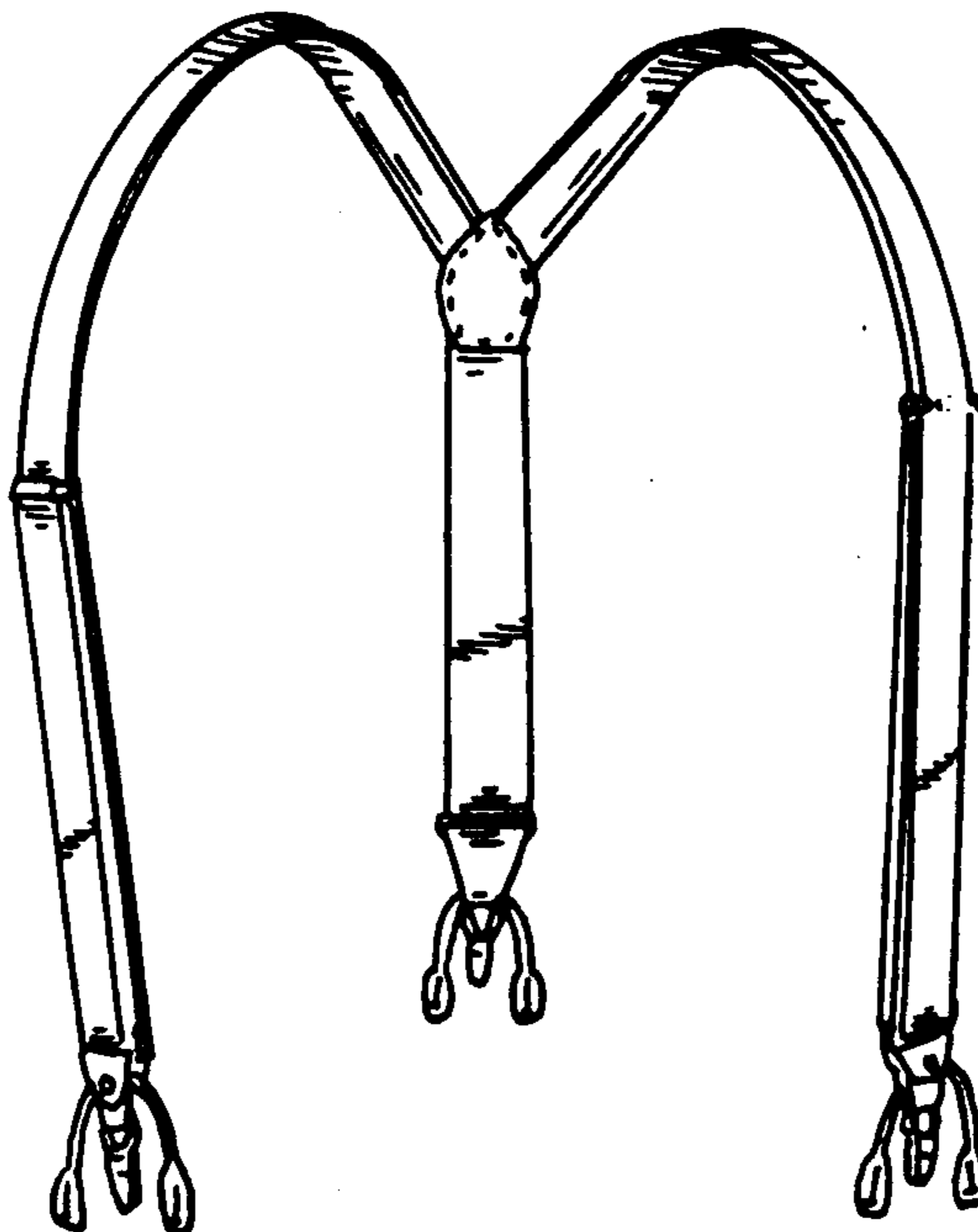
Primary Examiner—Louis S. Zarfaz
Assistant Examiner—R. T. Seifert
Attorney, Agent, or Firm—Darby & Darby

[57] CLAIM

The ornamental design for suspenders, as shown and described.

DESCRIPTION

FIG. 1 is a perspective view of suspenders showing my new design;
FIG. 2 is a rear elevational view;
FIG. 3 is a right side elevational view, the opposite side view being a mirror image; and
FIG. 4 is a partial perspective view, on an enlarged scale of the fastening element.



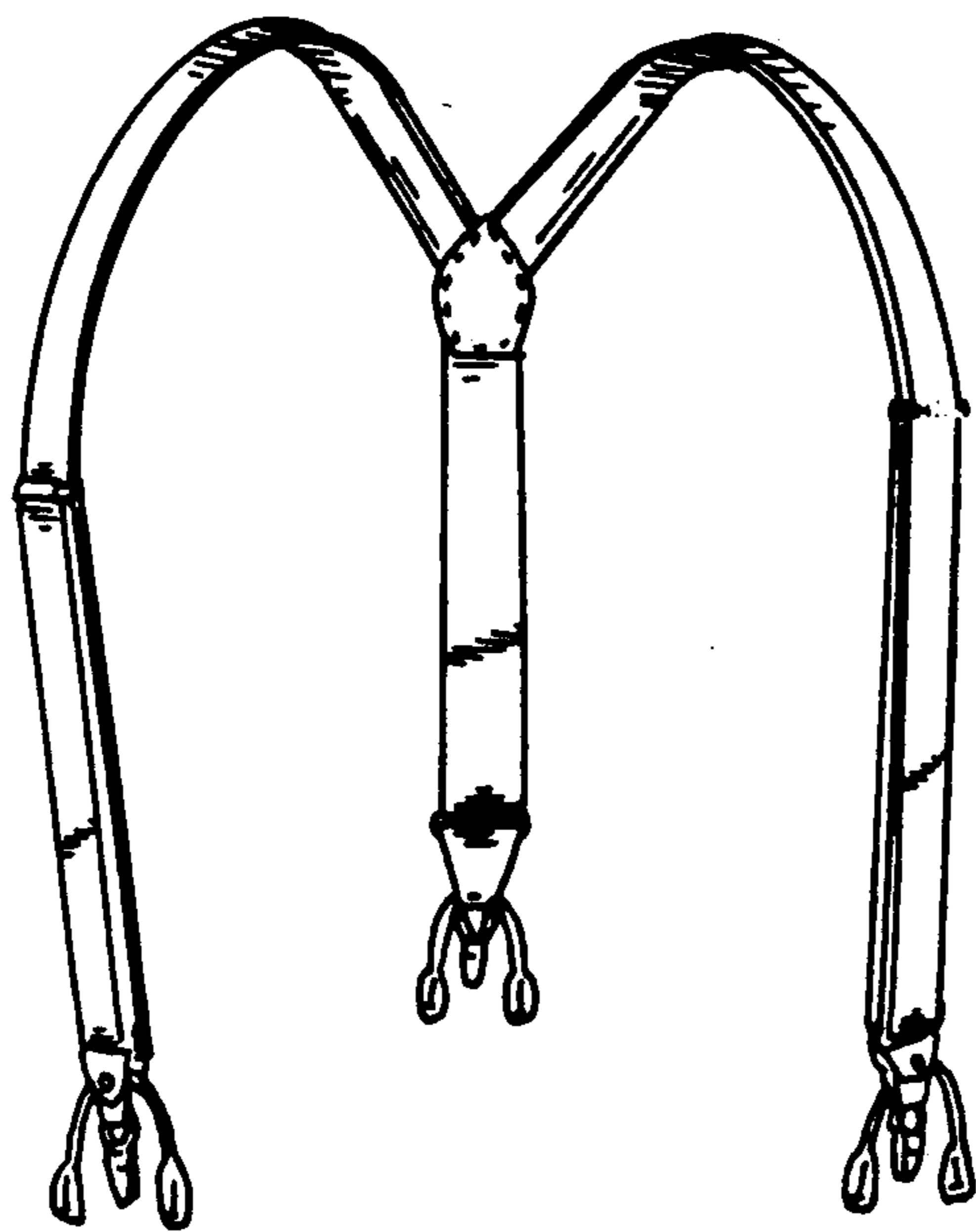


FIG. 1

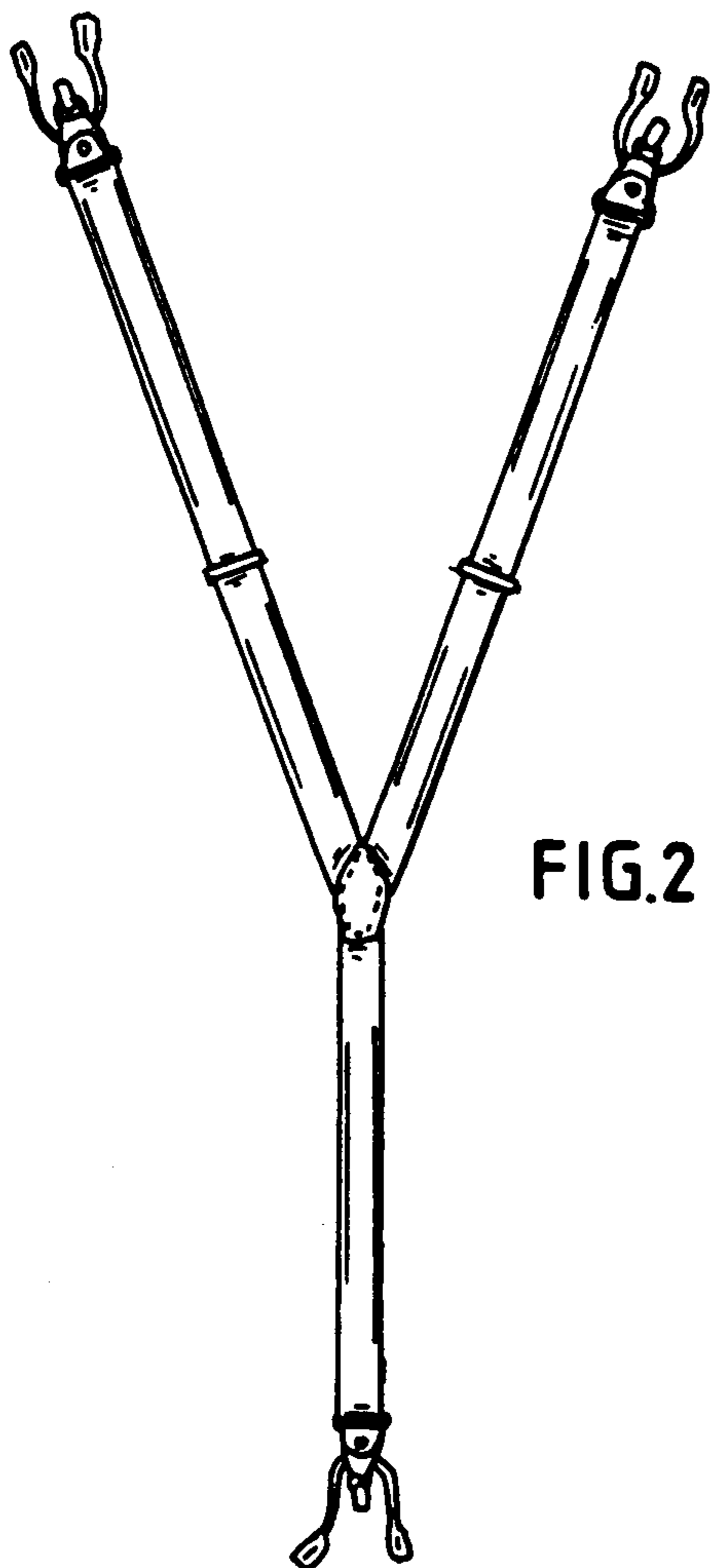


FIG. 2



FIG. 3

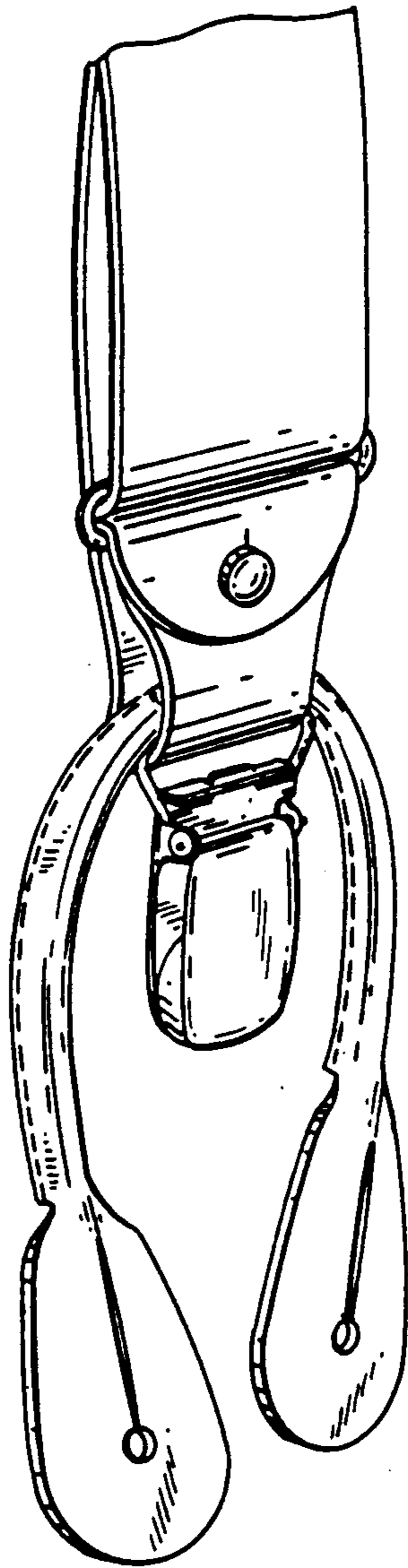


FIG. 4

UNITED STATES PATENT AND TRADEMARK OFFICE
CERTIFICATE OF CORRECTION

PATENT NO. : Des. 316,775

DATED : May 14, 1991

INVENTOR(S) : Paul Schott

It is certified that error appears in the above-identified patent and that said Letters Patent is hereby corrected as shown below:

On the title page Assignee should read

--[73] Assignee:-- Swank, Inc., New York, N.Y.--.

Signed and Sealed this
Fifteenth Day of September, 1992

Attest:

DOUGLAS B. COMER

Attesting Officer

Acting Commissioner of Patents and Trademarks