

[54] **HEADBAND**

[76] **Inventor: Kevin Falk, 5021 84th Ave. S.E., Mercer Island, Wash. 98040**

[**] **Term: 14 Years**

[21] **Appl. No.: 229,025**

[22] **Filed: Aug. 5, 1988**

[52] **U.S. Cl. D2/514**

[58] **Field of Search D2/512-514, D2/244, 248, 250-253; D29/12-14, 16, 18; 2/171.2, 171.6, 171.7, 171.8, 181, 182.1, 171, DIG. 11, 173**

[56] **References Cited**

U.S. PATENT DOCUMENTS

2,106,075 1/1938 Tabley 2/181
4,833,734 5/1989 Der Estephanian 2/181

FOREIGN PATENT DOCUMENTS

909812 9/1972 Canada 2/DIG. 11

1098467 2/1961 Fed. Rep. of Germany ... 2/DIG. 11

OTHER PUBLICATIONS

Sportsline Catalog 1988/ASI 88873.

Primary Examiner—A. Hugo Word

Assistant Examiner—Ruth T. McInroy

Attorney, Agent, or Firm—Seed and Berry

[57] **CLAIM**

The ornamental design for a headband, as shown and described.

DESCRIPTION

FIG. 1 is a right side elevational view of a headband showing my new design;

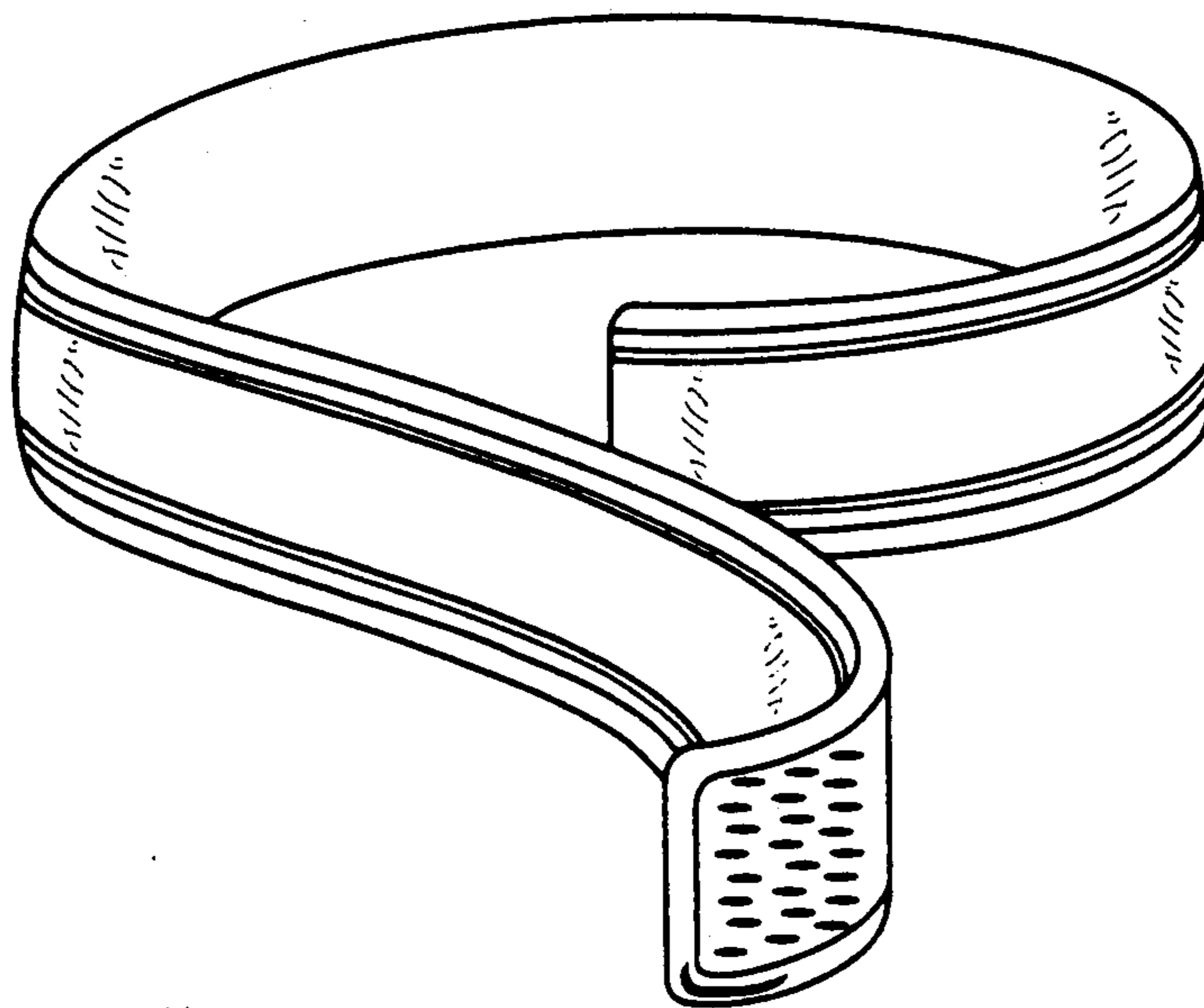
FIG. 2 is a left side elevational view thereof;

FIG. 3 is a front elevational view thereof;

FIG. 4 is a top plan view thereof;

FIG. 5 is a bottom plan view thereof; and

FIG. 6 is a rear isometric view thereof in an opened position.



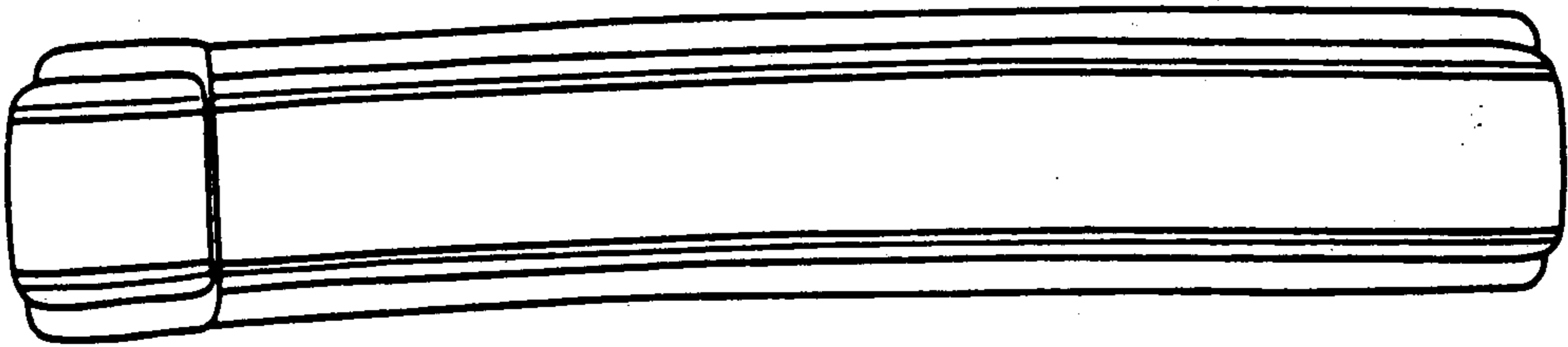


Figure 1

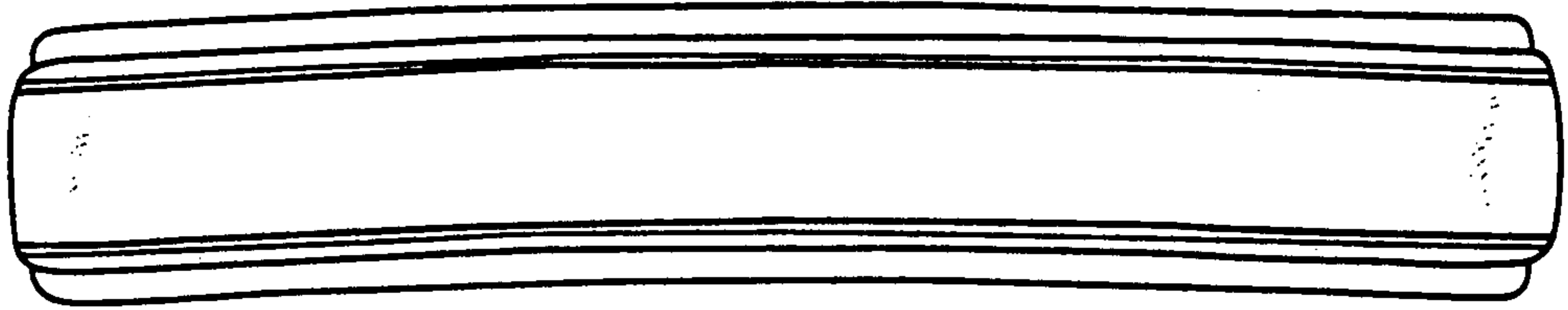


Figure 2

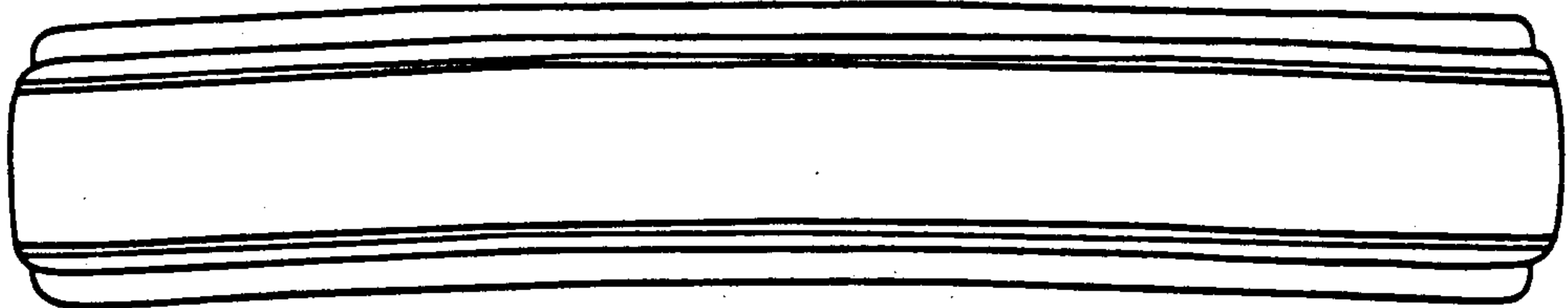


Figure 3

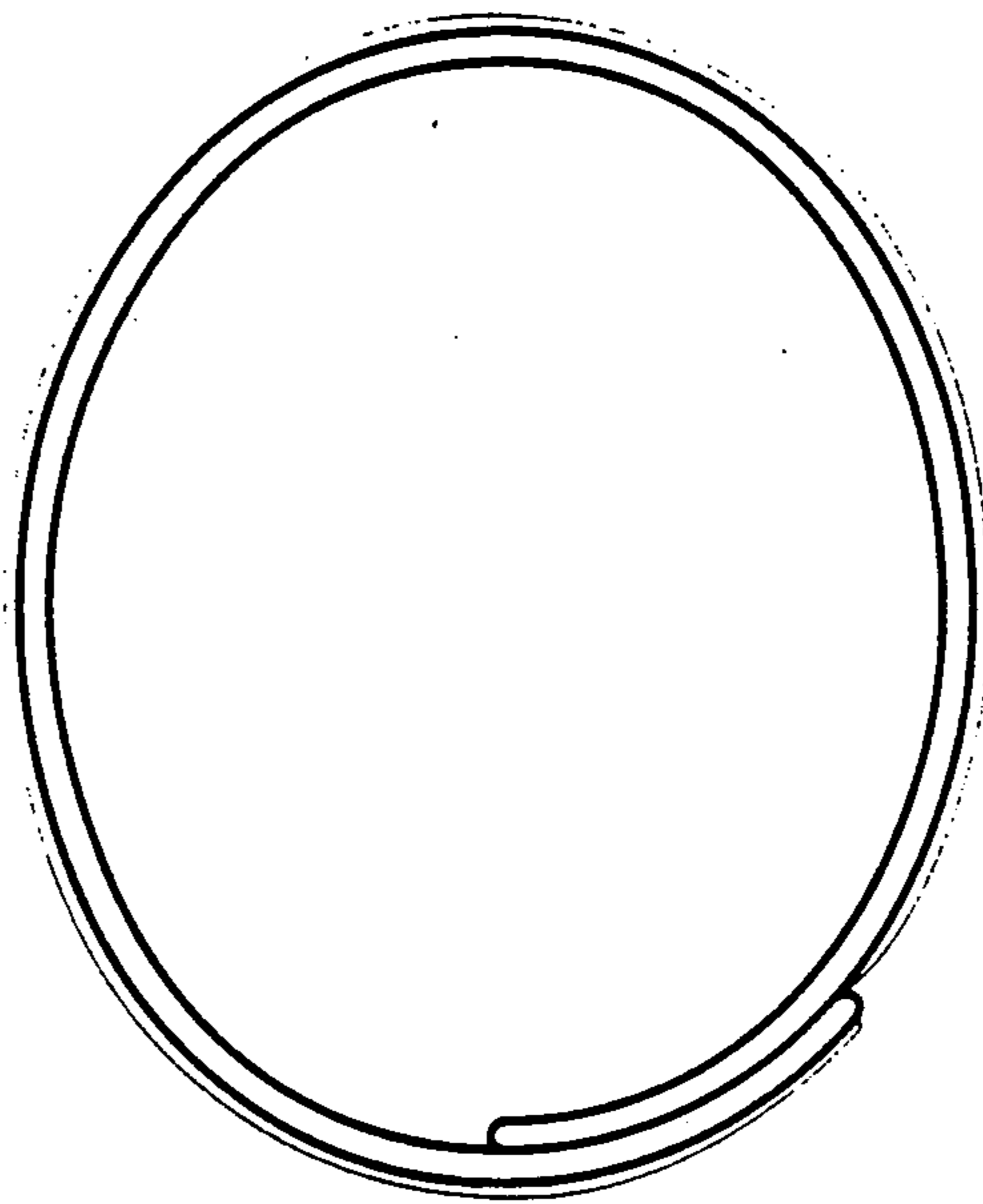


Figure 4

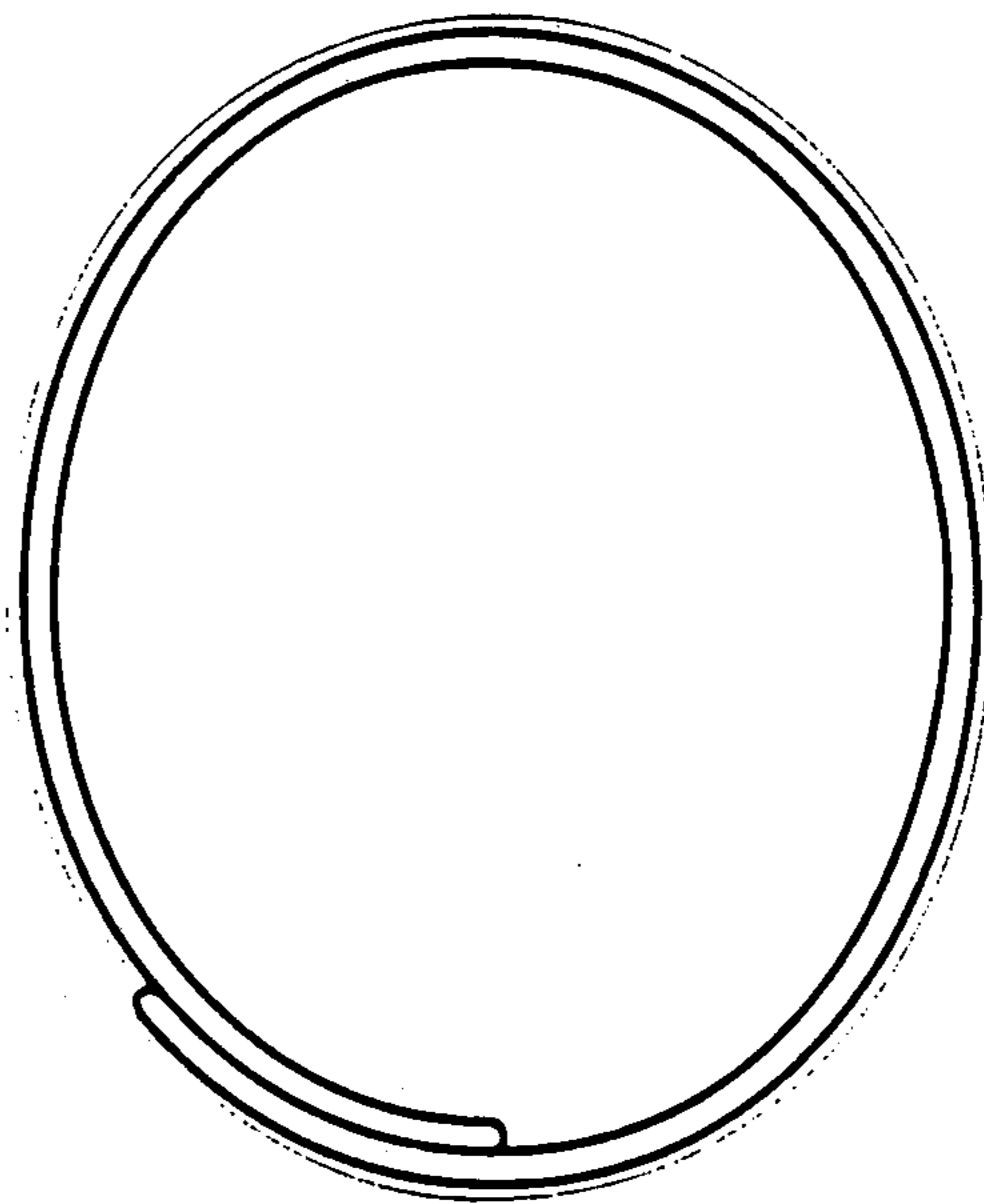


Figure 5

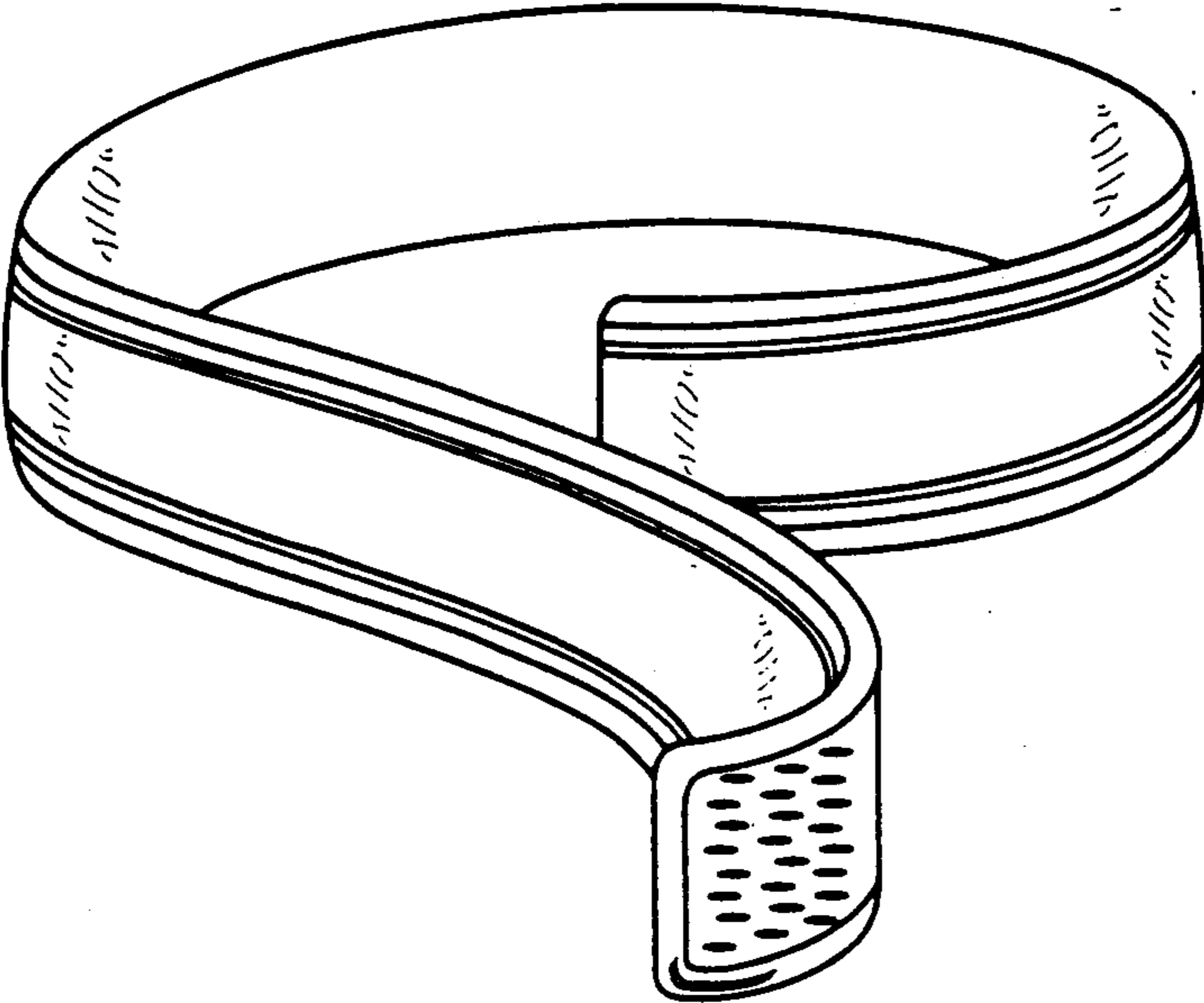


Figure 6