

[54] MOBILE DOCK

[76] Inventors: Gerald F. Roberts; Ernest M. Roberts, both of 1048 Boyne Rd., Box 19, East Jordan, Mich. 49727

[\*\*] Term: 14 Years

[21] Appl. No.: 51,033

[22] Filed: May 15, 1987

[52] U.S. Cl. .... D34/28; D34/32

[58] Field of Search ..... D34/28; 405/218, 220, 405/221; 14/27, 2.6

[56] References Cited

U.S. PATENT DOCUMENTS

3,380,257	4/1968	Gillman et al. ....	405/221
4,037,420	7/1977	Wicks .....	405/218
4,589,800	5/1986	Nasby, Jr. ....	405/221

FOREIGN PATENT DOCUMENTS

598528 5/1960 Canada ..... 405/221

Primary Examiner—Kay H. Chin  
Attorney, Agent, or Firm—John F. Rohe

[57] CLAIM

The ornamental design for a mobile dock, as shown and described.

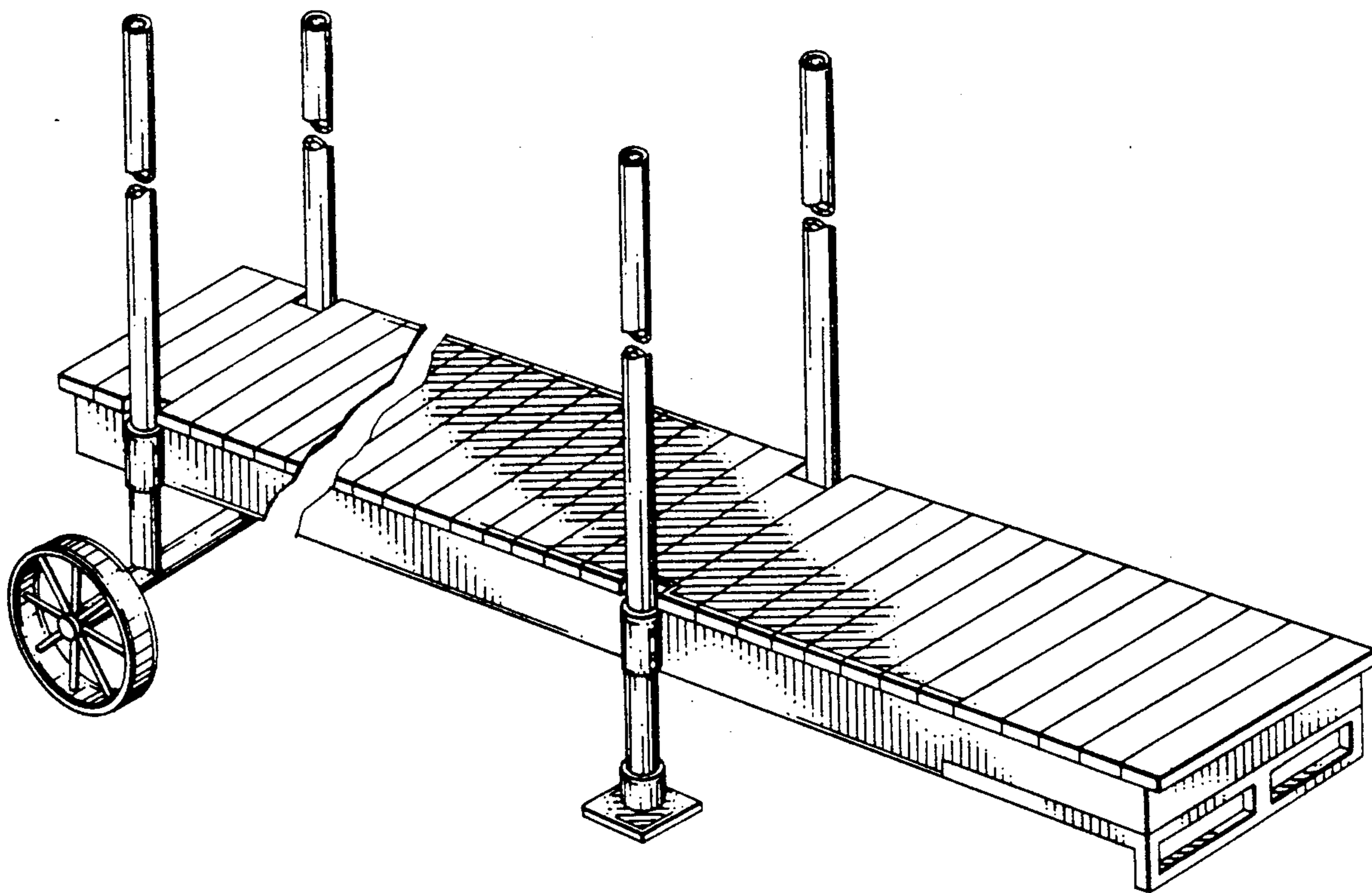
DESCRIPTION

FIG. 1 is a top and front perspective view of a mobile dock showing our new design, the portion of upright support members and the deck shown broken away to indicate indeterminate length;

FIG. 2 is a rear elevational view thereof;

FIG. 3 is a side elevational view thereof, the opposite side view being a mirror image of that shown, portions of the upright support member shown broken away to indicate indeterminate length, and portions of the deck shown broken away to indicate indeterminate length and for convenience of illustration;

FIG. 4 is a bottom plan view of FIG. 3.



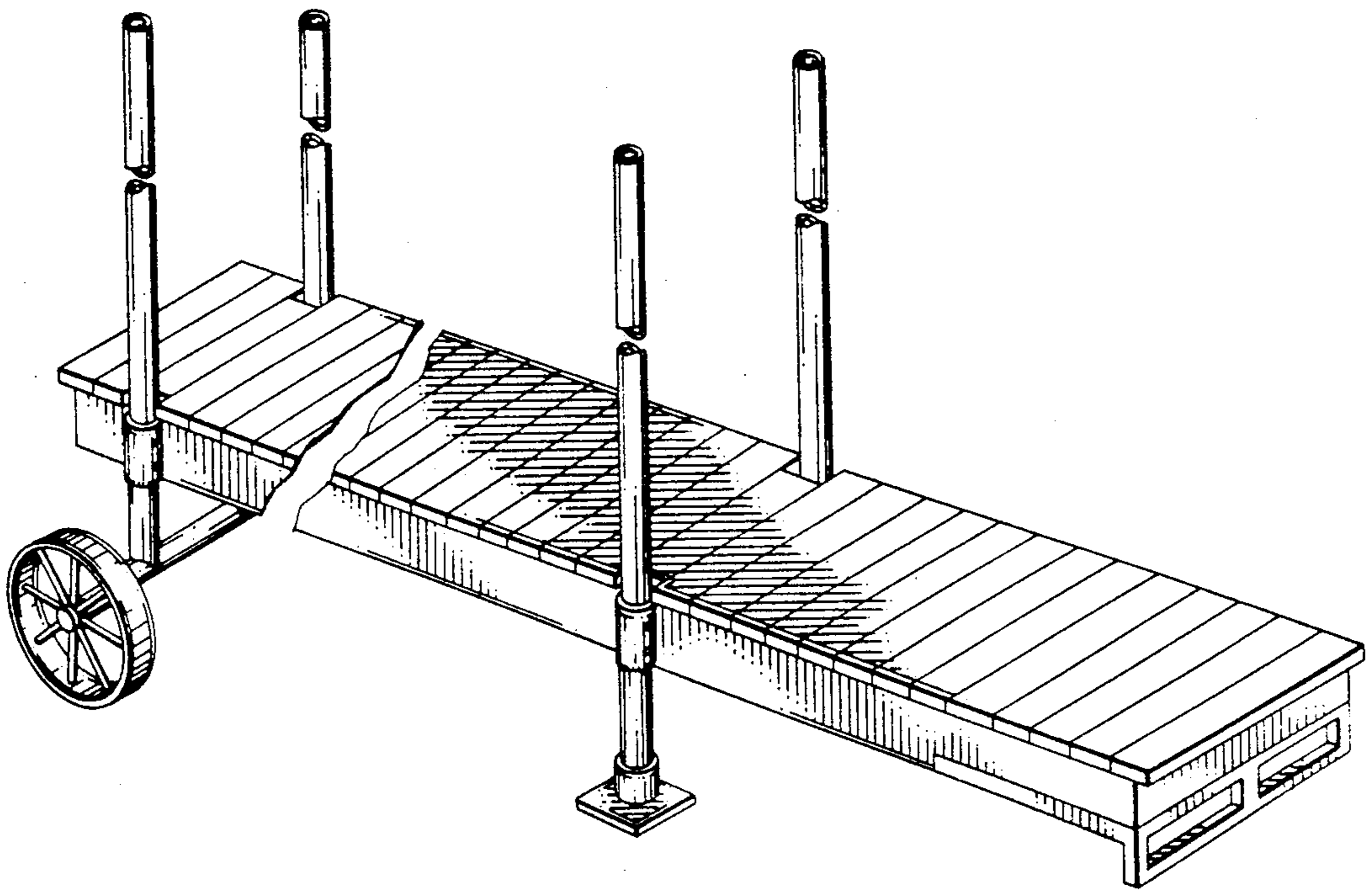


FIG. 1

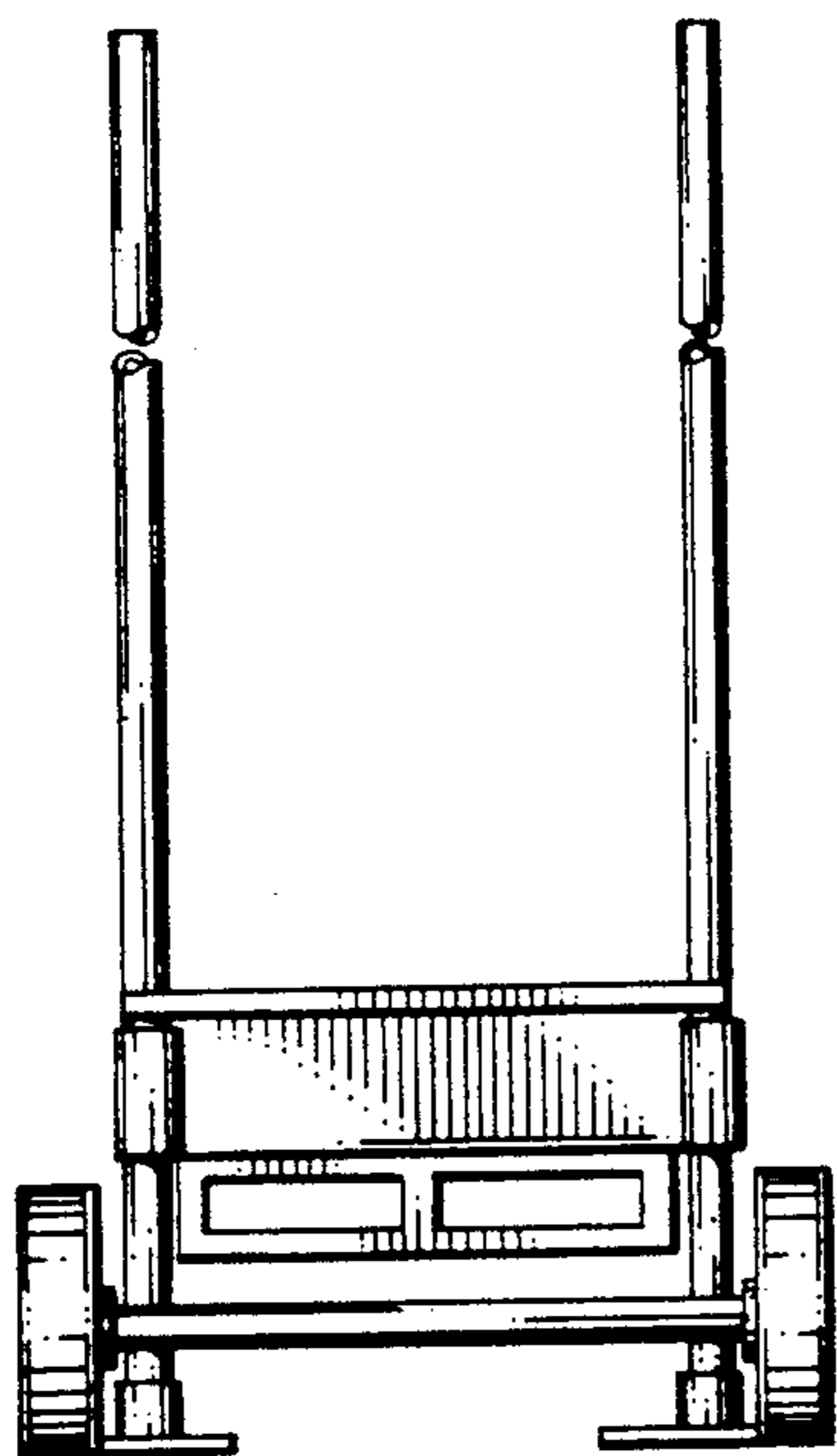


FIG. 2

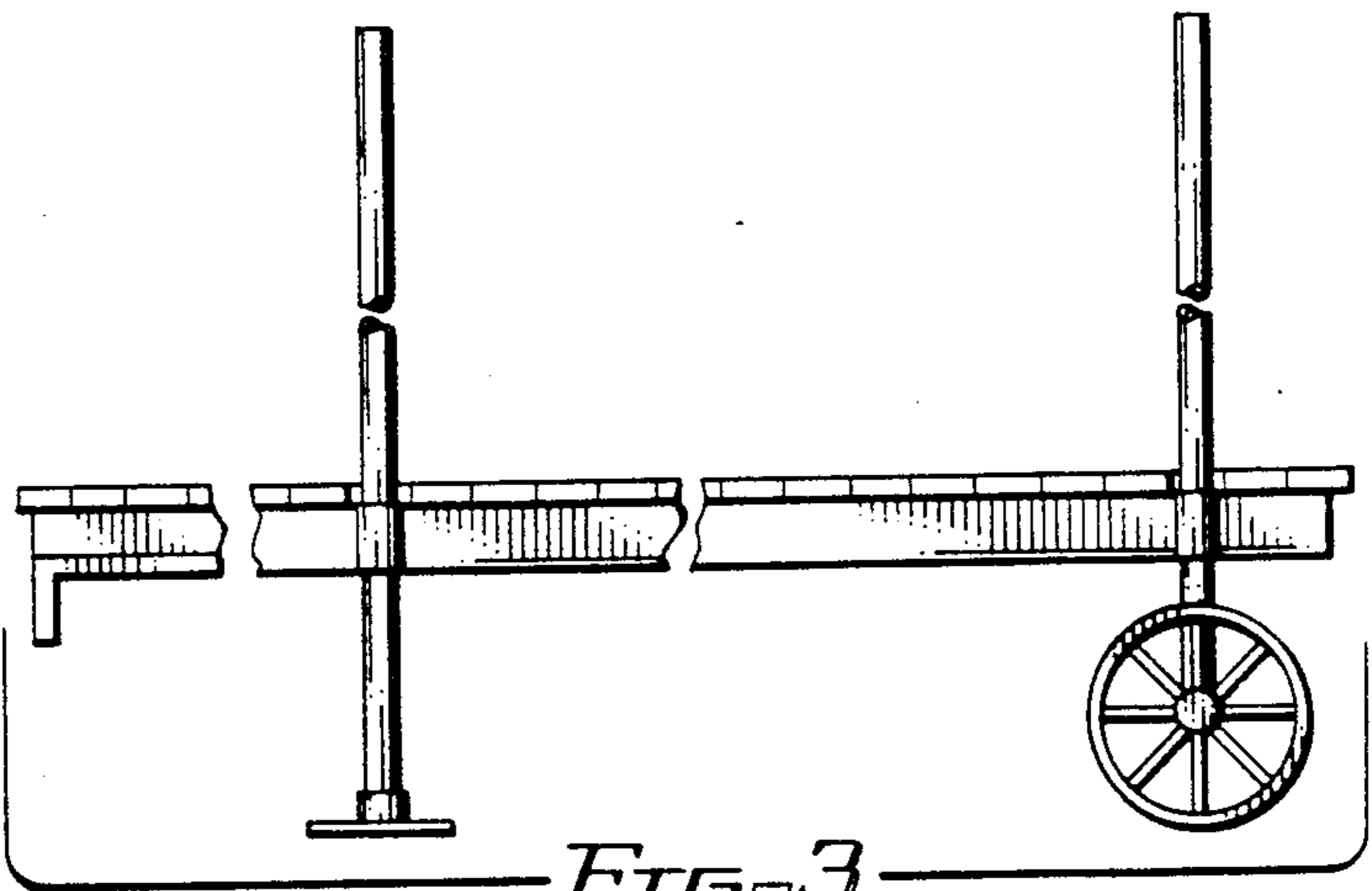


FIG. 3

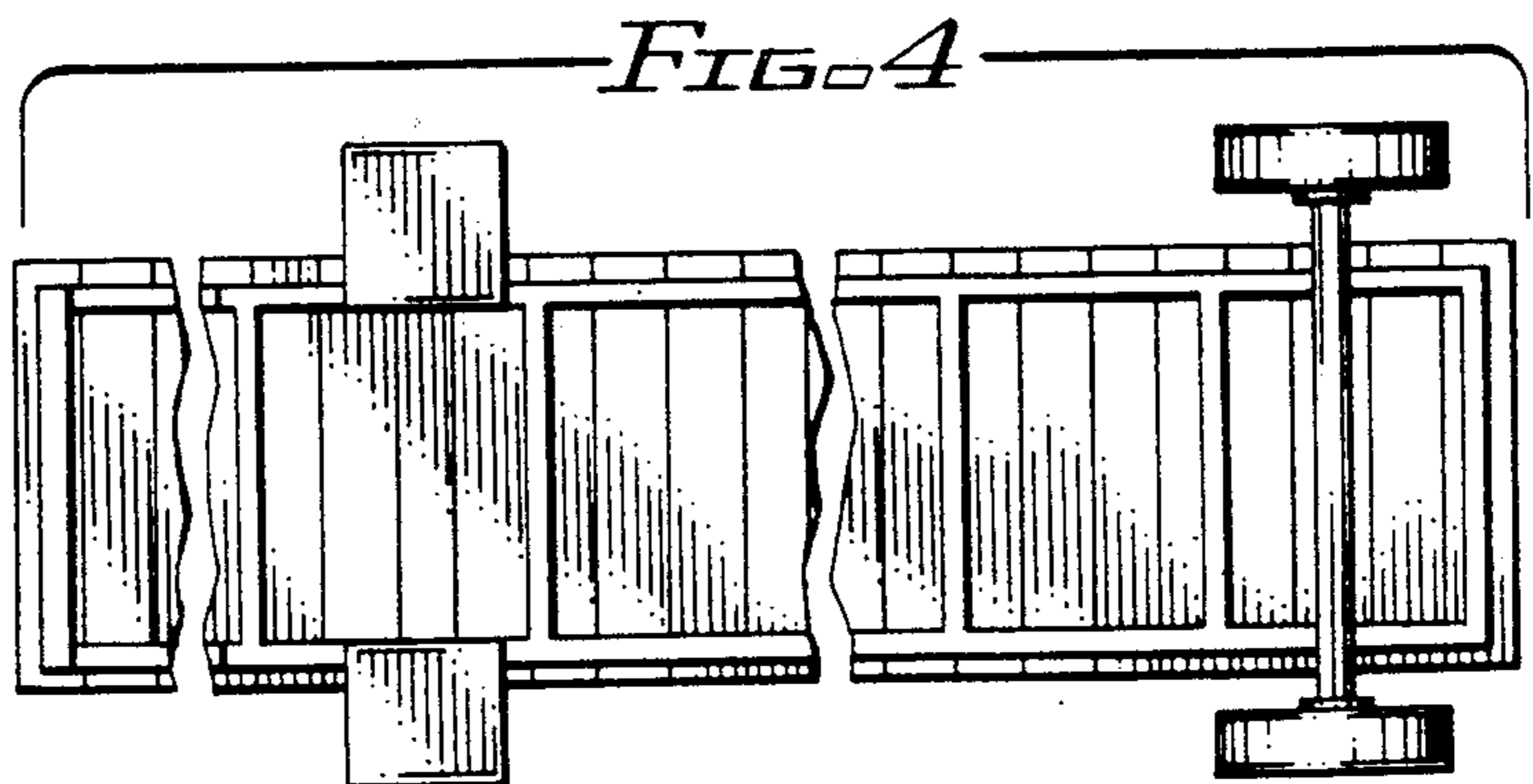


FIG. 4