

[54] BATTERY OPERATED VACUUM CLEANER

[76] Inventor: Cheung Chi Ho, 13/F., Man King Bldg., 36, Ferrt Point, Kowloon, Hong Kong

[**] Term: 14 Years

[21] Appl. No.: 224,840

[22] Filed: Jul. 27, 1988

[30] Foreign Application Priority Data

May 18, 1988 [GB] United Kingdom 1050816

[52] U.S. Cl. D32/21

[58] Field of Search D32/21, 23-24; 15/327 R, 327 B, 327 D, 327 E, 327 F, 412, 301-302, 314-315, 320-323, 352-353

[56] References Cited

U.S. PATENT DOCUMENTS

D. 173,441 11/1954 Lambert D32/24

D. 212,710 11/1968 Mango et al. D32/21
D. 261,267 10/1981 Hug D32/21
D. 270,298 8/1983 Ayukawa et al. D32/21

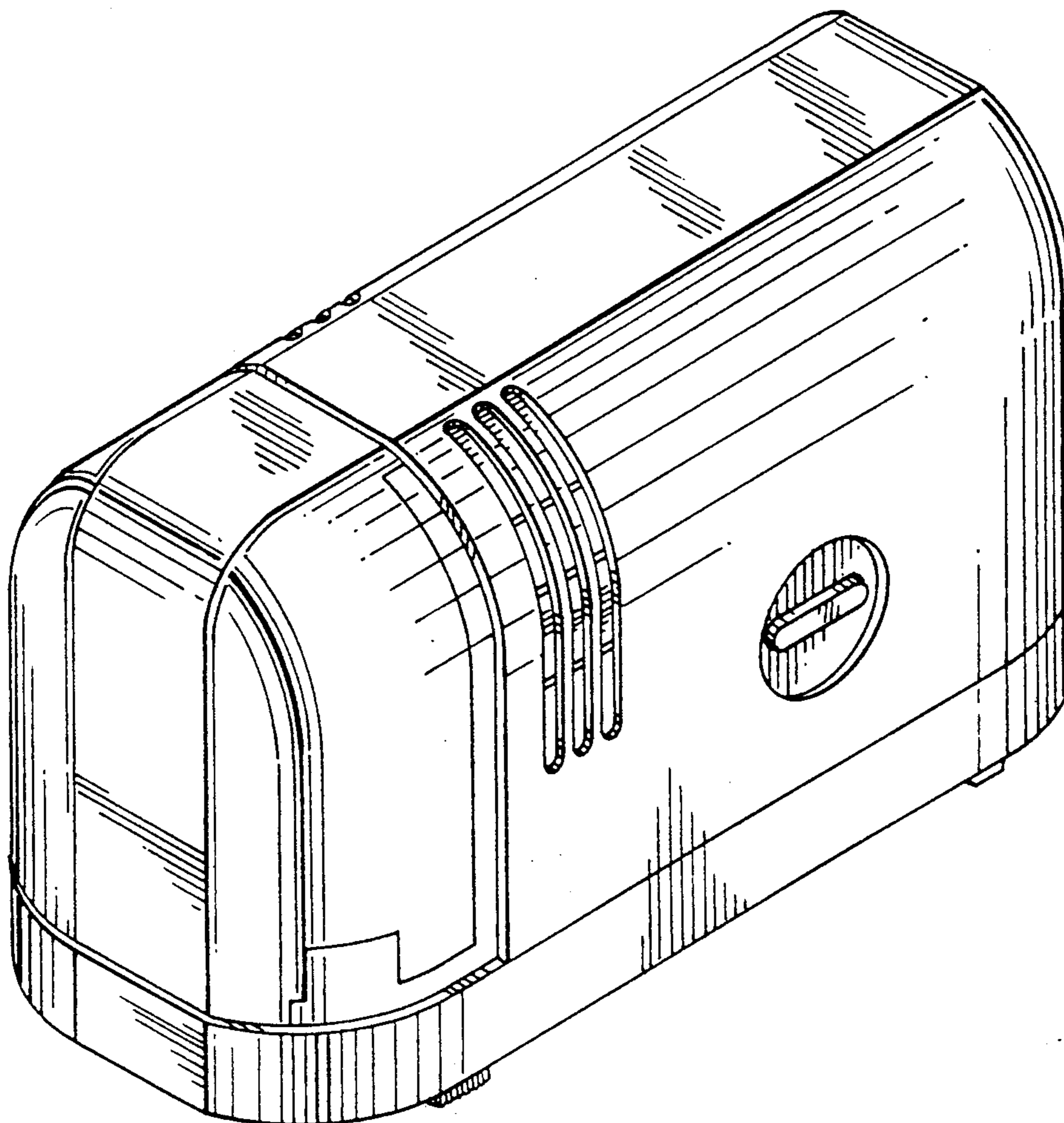
Primary Examiner—James R. Largen
Assistant Examiner—Doris V. Coles
Attorney, Agent, or Firm—Armstrong, Nikaido, Marmelstein, Kubovcik, & Murray

[57] CLAIM

The ornamental design for a battery operated vacuum cleaner, as shown.

DESCRIPTION

FIG. 1 is a rear elevational view of a battery operated vacuum cleaner, showing my new design; FIG. 2 is a front elevational view thereof; FIG. 3 is a top plan view thereof; FIG. 4 is a bottom plan thereof; FIG. 5 is a left side elevational view thereof; FIG. 6 is a right side elevational view thereof; and FIG. 7 is a top, front, left side perspective view thereof.



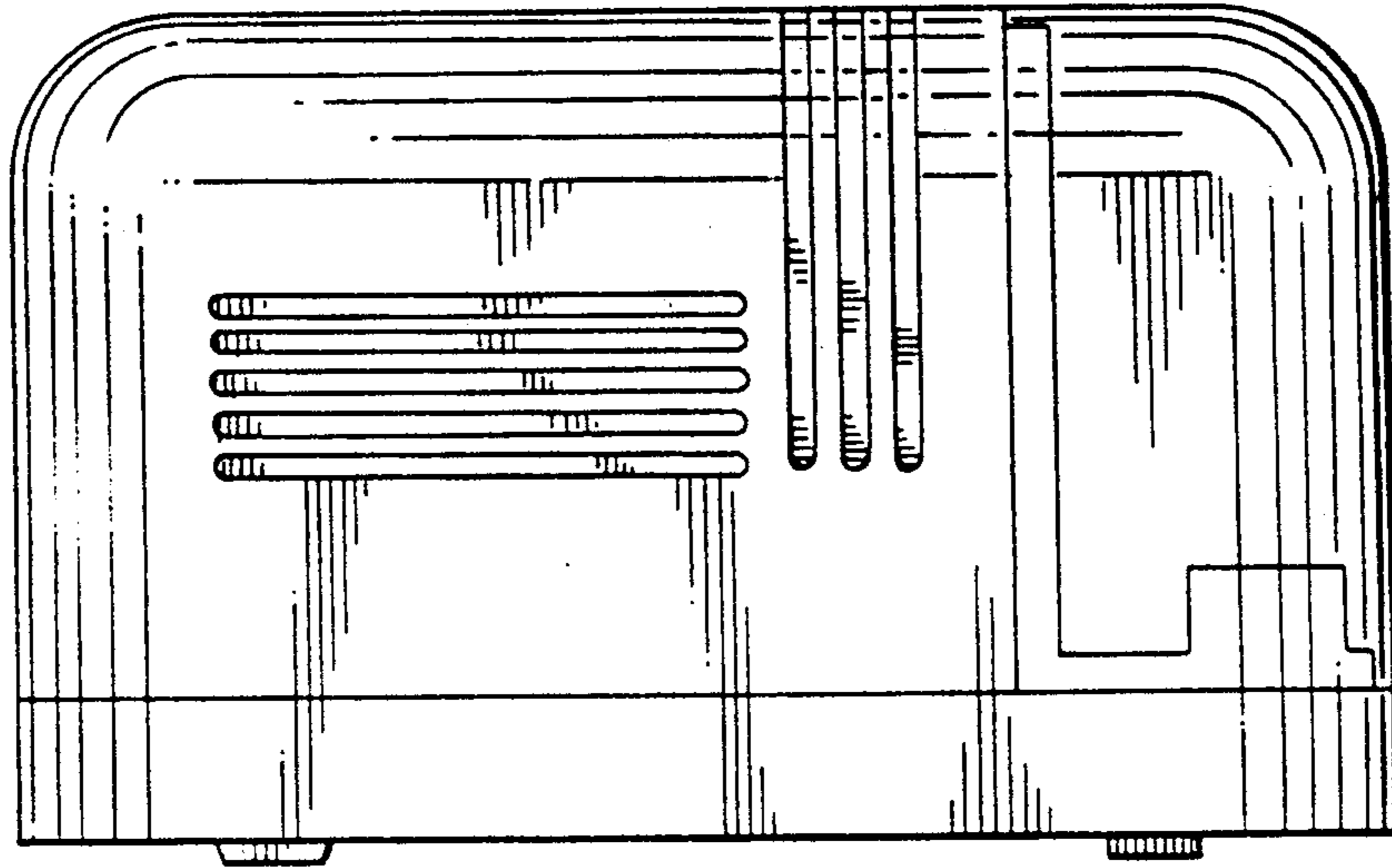


Fig. 1

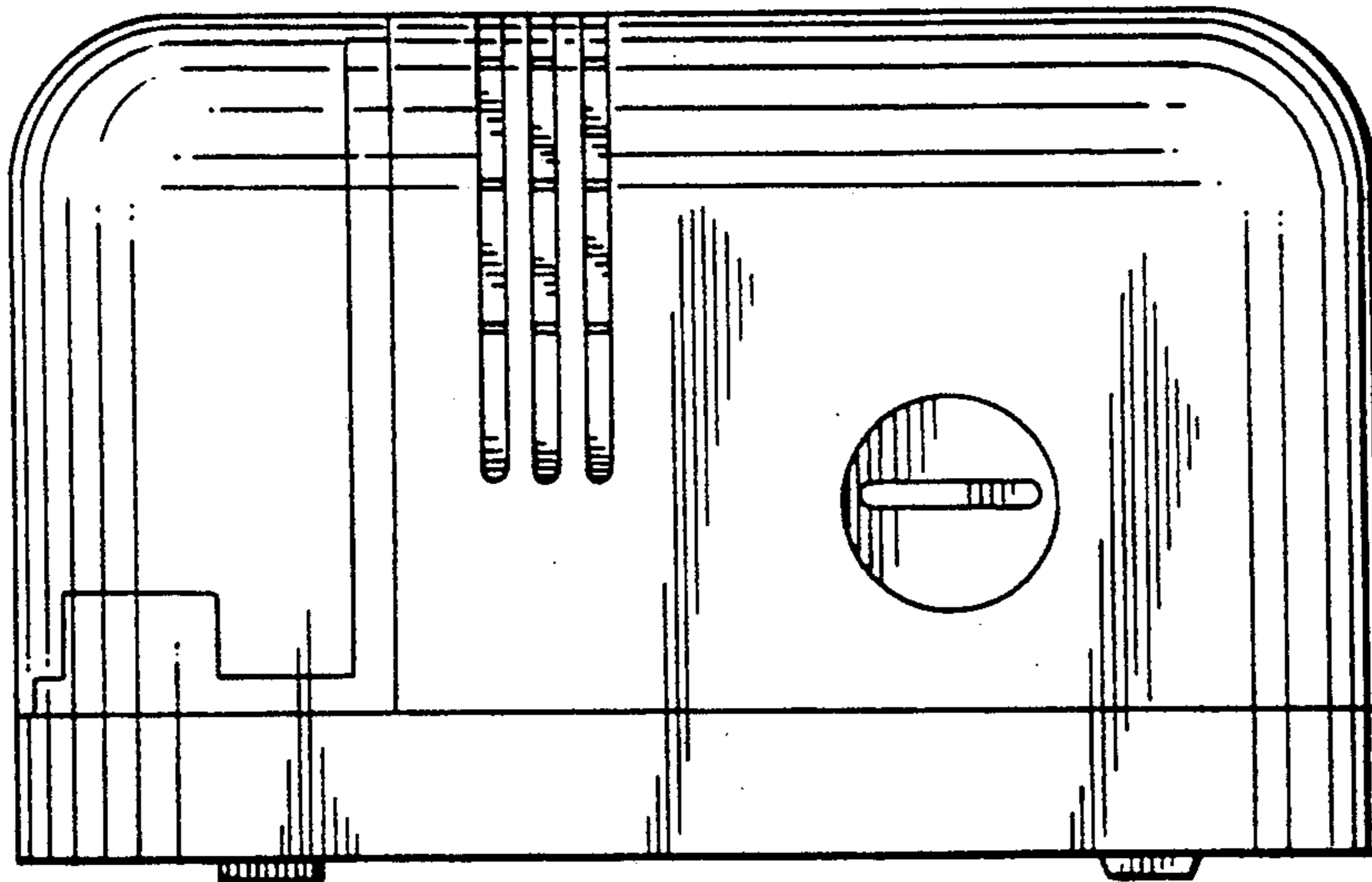


Fig. 2

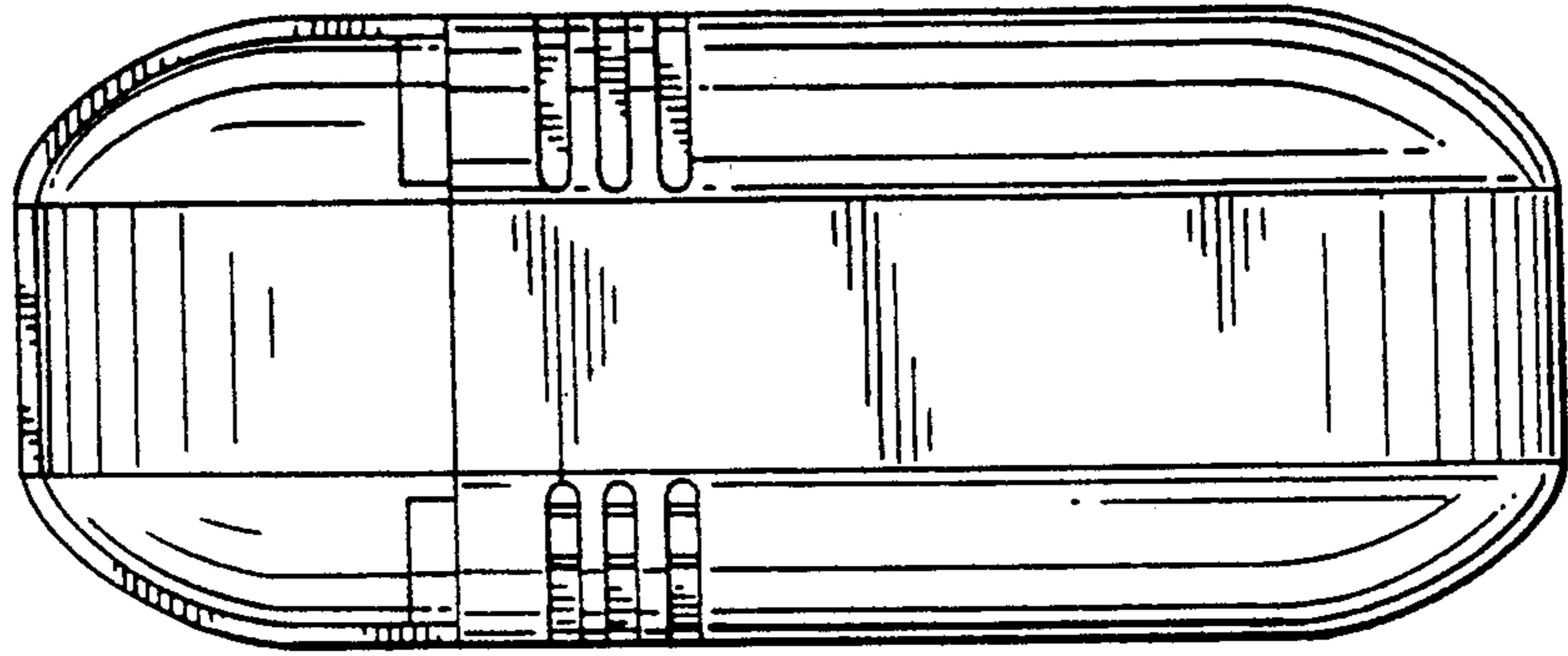


Fig. 3

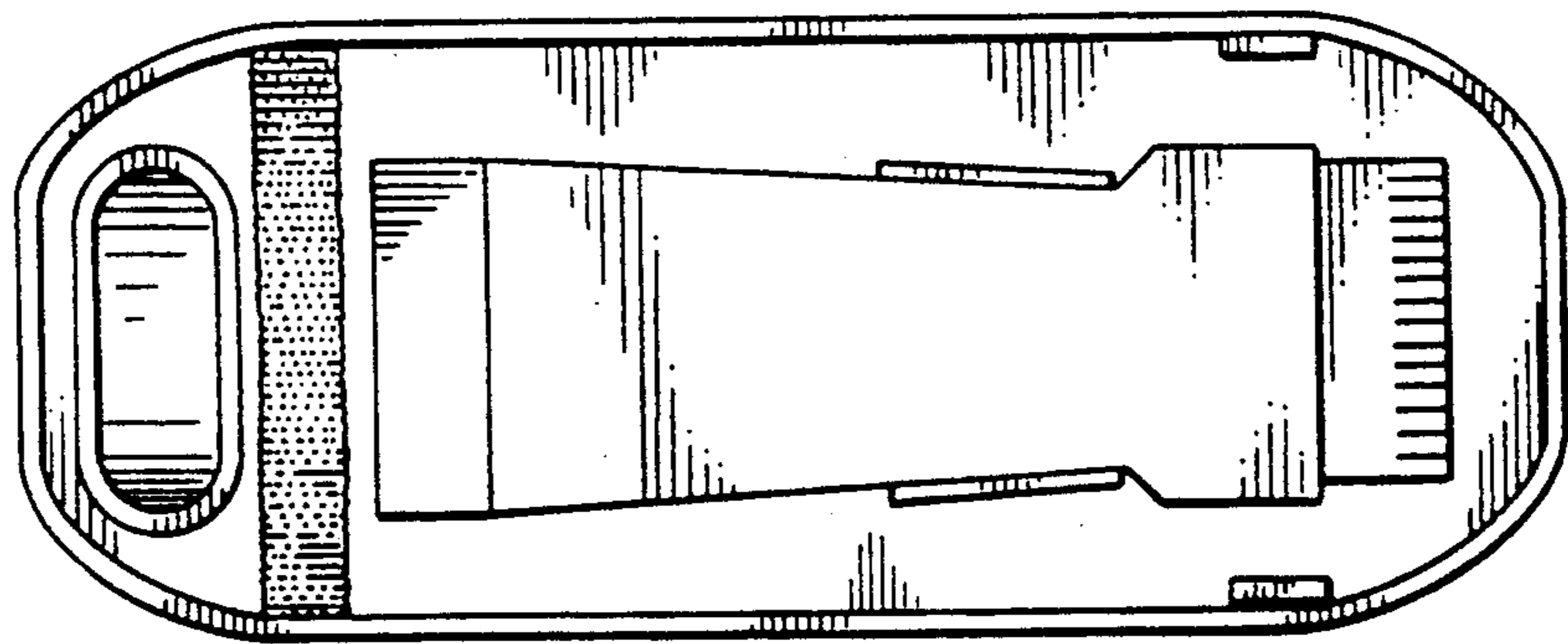


Fig. 4

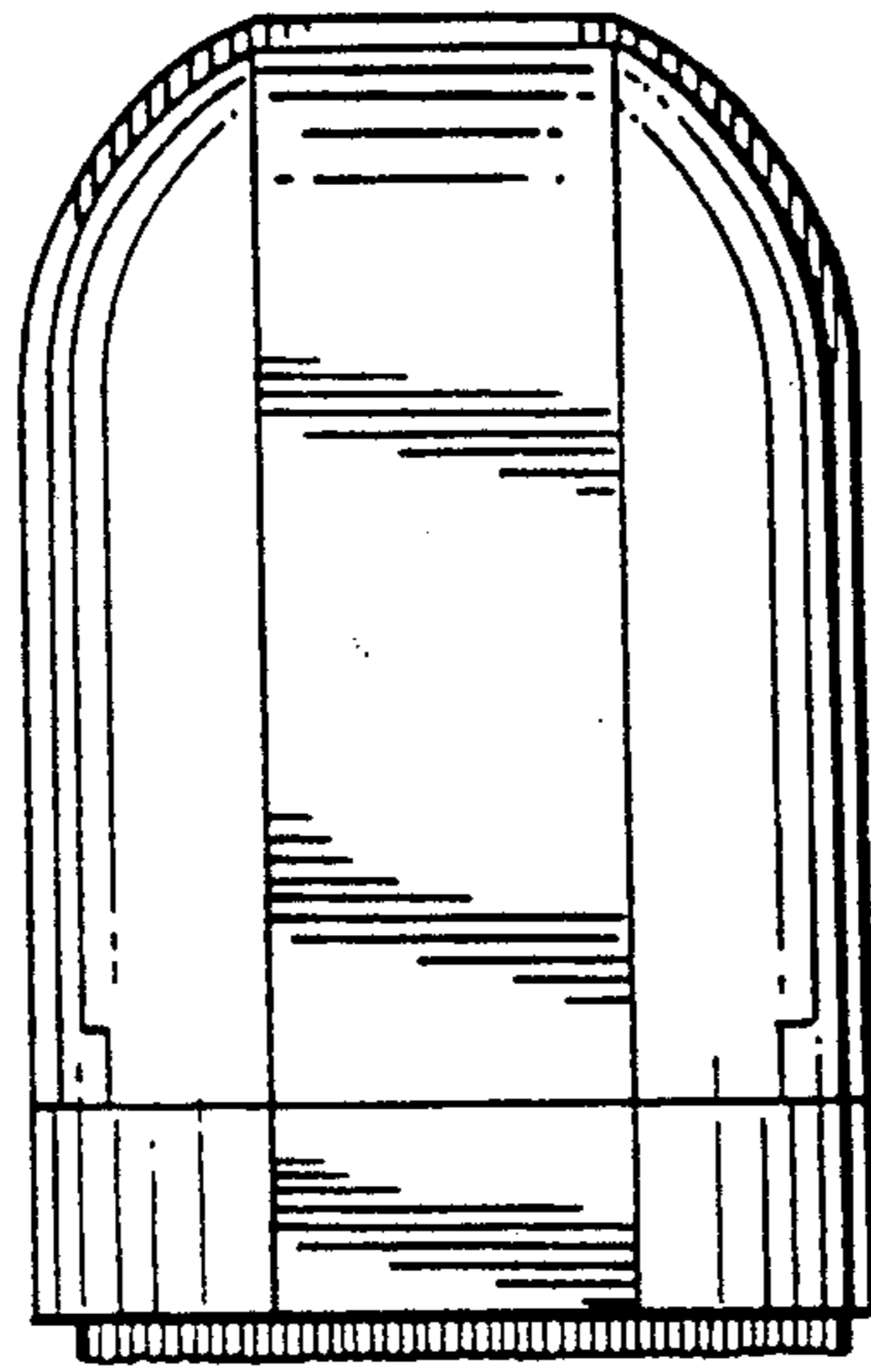


Fig. 5

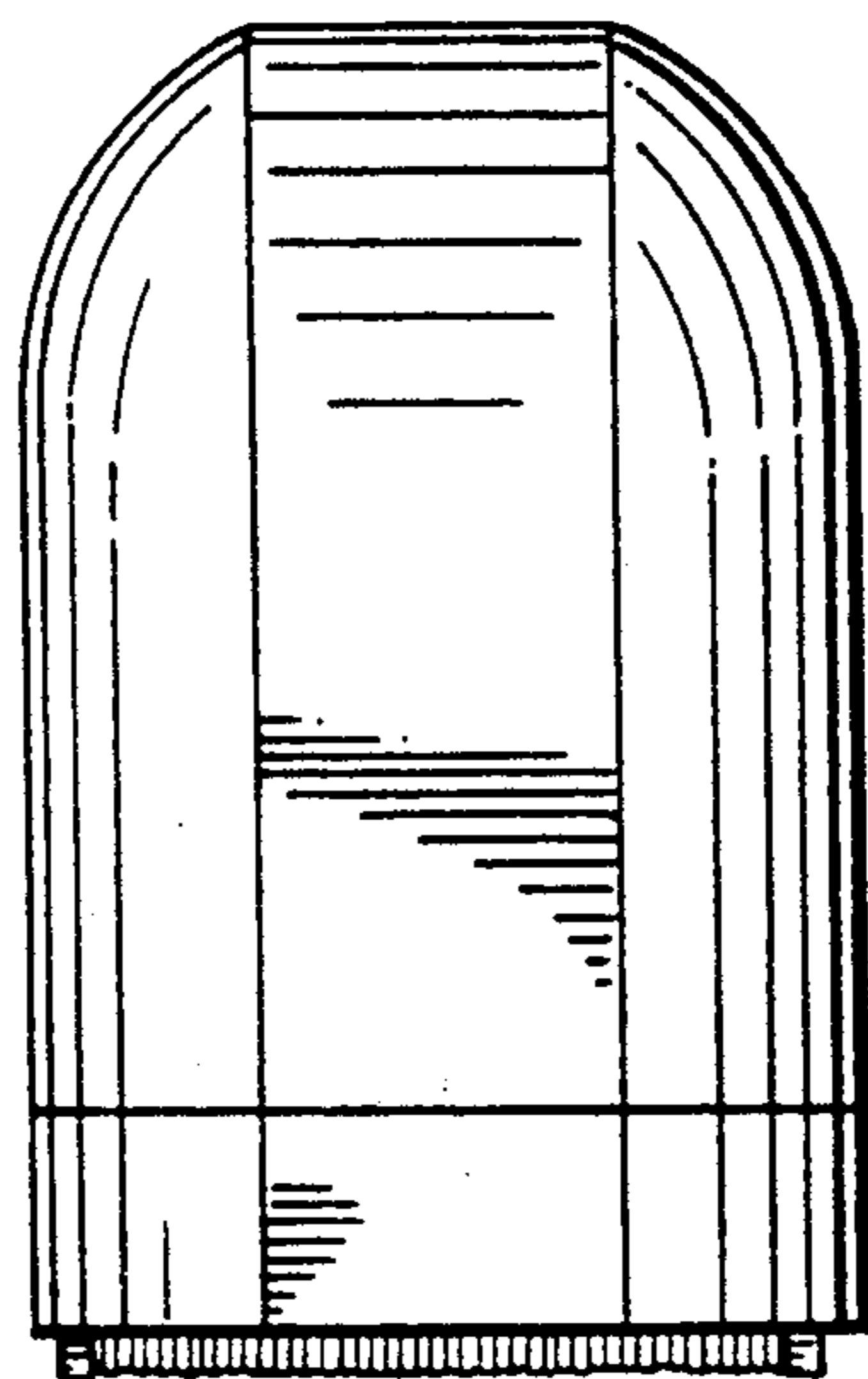


Fig. 6

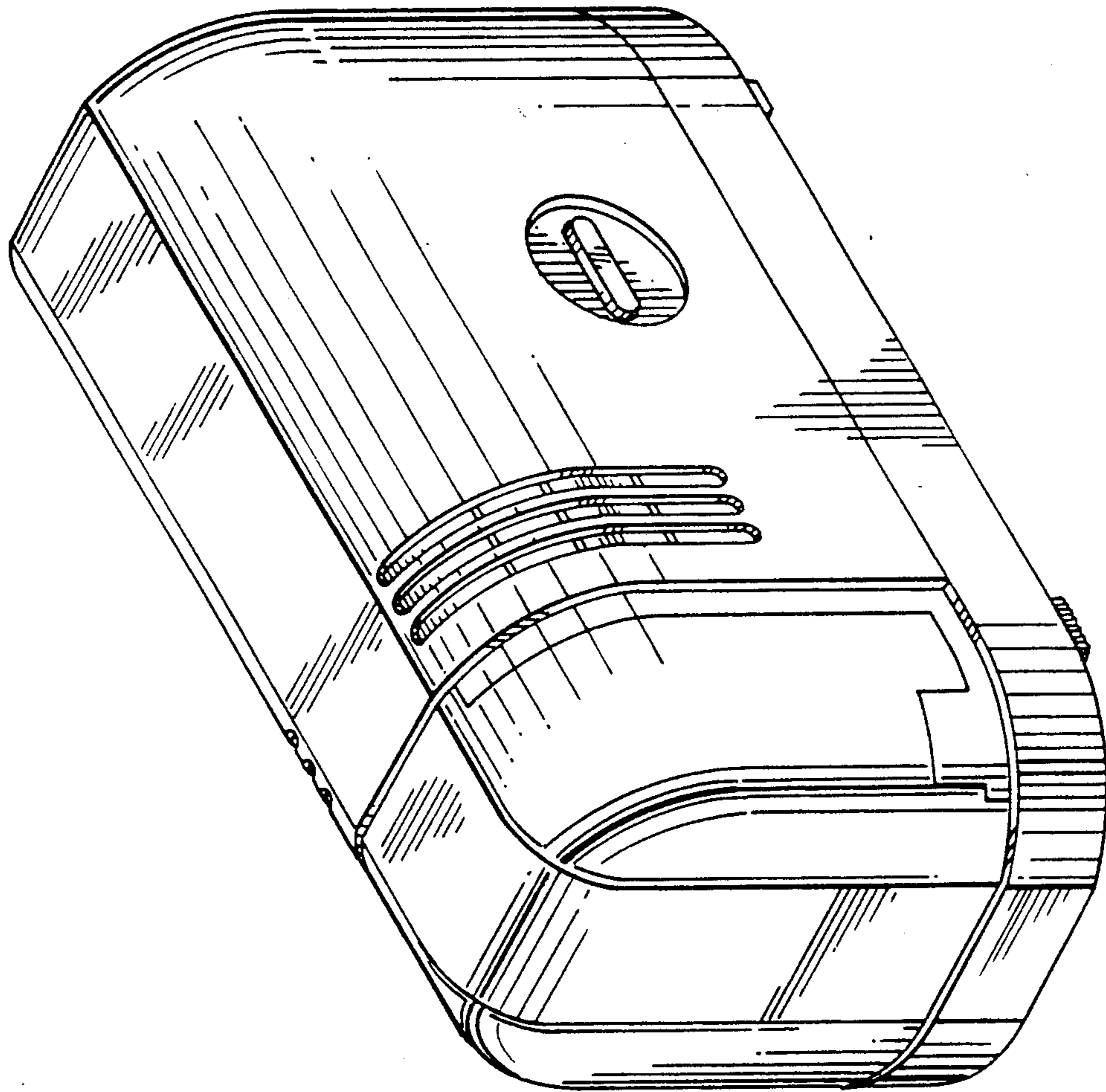


Fig. 7

UNITED STATES PATENT AND TRADEMARK OFFICE
CERTIFICATE OF CORRECTION

Des. 316,766

PATENT NO. :
DATED :
INVENTOR(S) :

May 7, 1991

Chi Ho CHEUNG

It is certified that error appears in the above-identified patent and that said Letters Patent is hereby corrected as shown below:

On the title page, Item [76], "Cheung Chi Ho" should read
-- Chi Ho Cheung --.

**Signed and Sealed this
Twentieth Day of October, 1992**

Attest:

DOUGLAS B. COMER

Attesting Officer

Acting Commissioner of Patents and Trademarks