

[54] WALL LANTERN

[76] Inventor: Young Jae Choi, Jugong Apt.  
403-701 Dunchon-dong.  
Kangdong-Ku, Seoul, Rep. of Korea

[\*\*] Term: 14 Years

[21] Appl. No.: 357,446

[22] Filed: May 26, 1989

[52] U.S. Cl. .... D26/87

[58] Field of Search ..... D26/72, 80-92,  
D26/67, 68; 362/147, 432, 404-408, 362, 363,  
367

[56] References Cited

U.S. PATENT DOCUMENTS

D. 66,189	12/1924	Jaeger	.....	D26/87
D. 206,083	10/1966	Rosen	.....	D26/87
4,635,168	1/1987	Crowley	.....	362/147

OTHER PUBLICATIONS

Kichler Lighting Catalog, 8-1987, p. 94, Wall Lantern K-9644.

Kichler Lighting Catalog, 8-1987, p. 95, Wall Lantern K-9444.

Lightcraft of California Catalog, ©1971, p. 89, Wall Lantern 385-20-99.

Primary Examiner—Susan J. Lucas

Attorney, Agent, or Firm—Wenderoth, Lind & Ponack

[57] CLAIM

The ornamental design for a wall lantern, as shown and described.

DESCRIPTION

FIG. 1 is a top, front, left side perspective view of a wall lantern showing my new design;

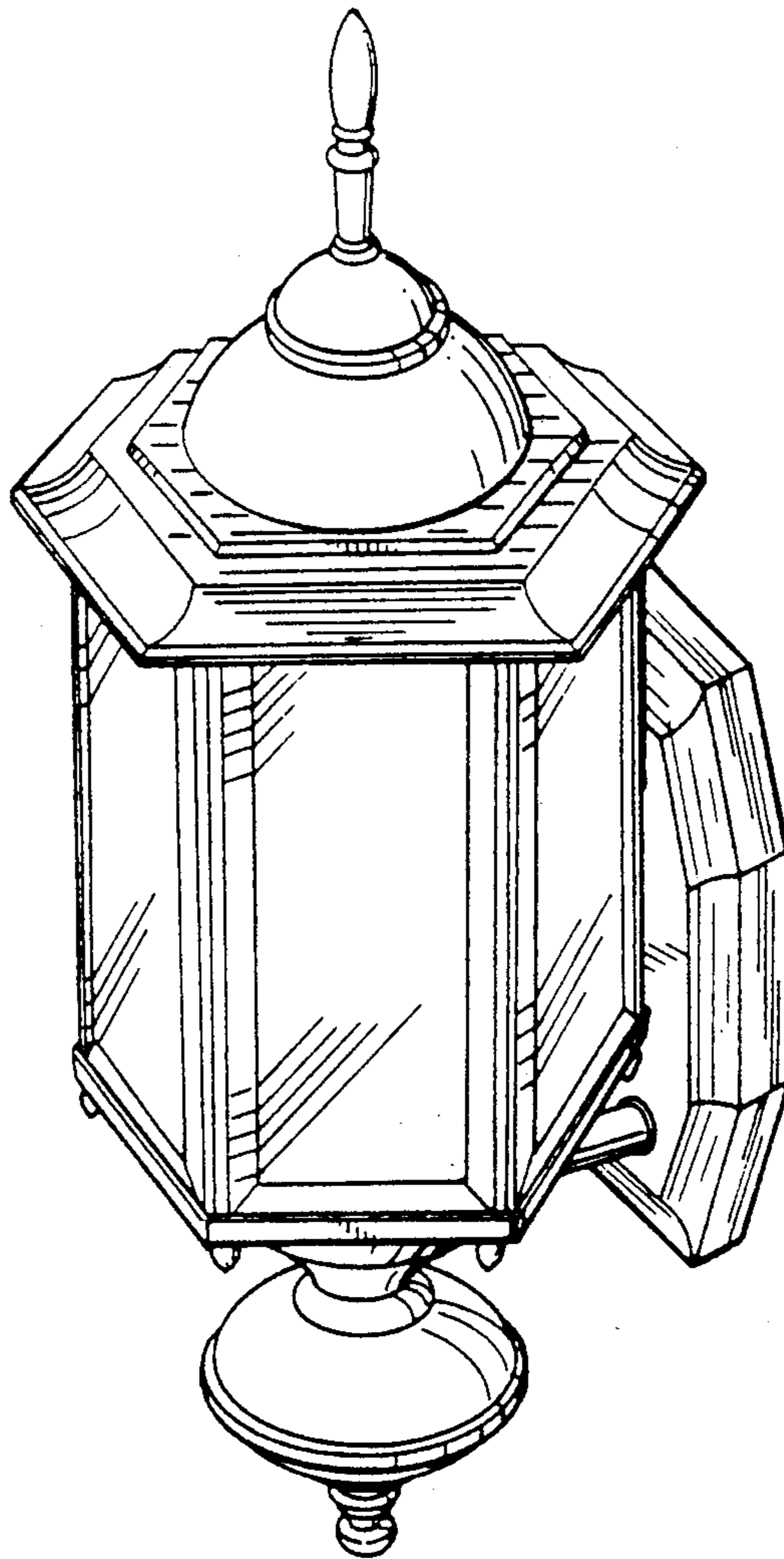
FIG. 2 is a front elevation view thereof;

FIG. 3 is a rear elevation view thereof;

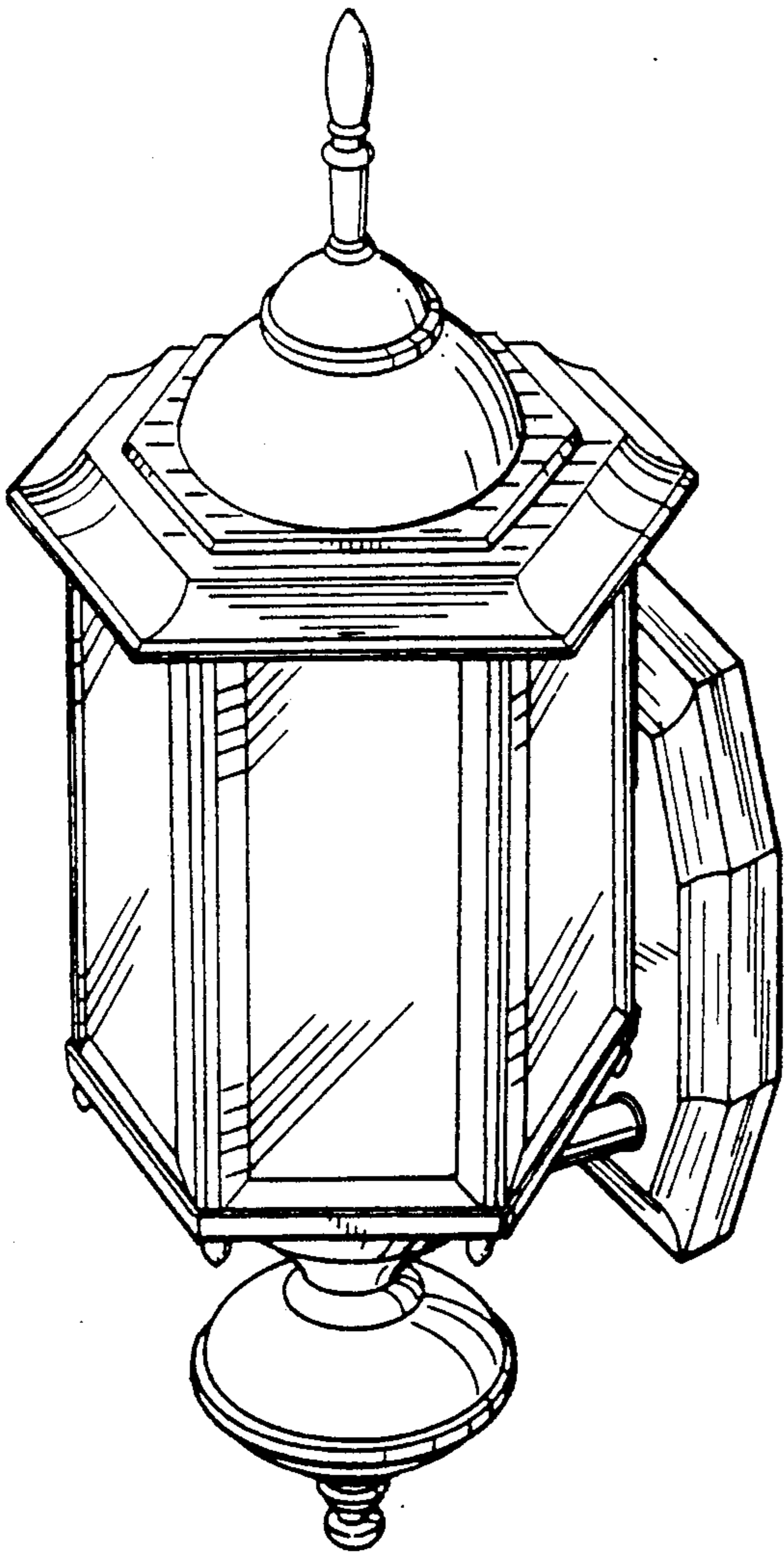
FIG. 4 is a left side elevation view thereof, the right side being a mirror image;

FIG. 5 is a top plan view thereof; and

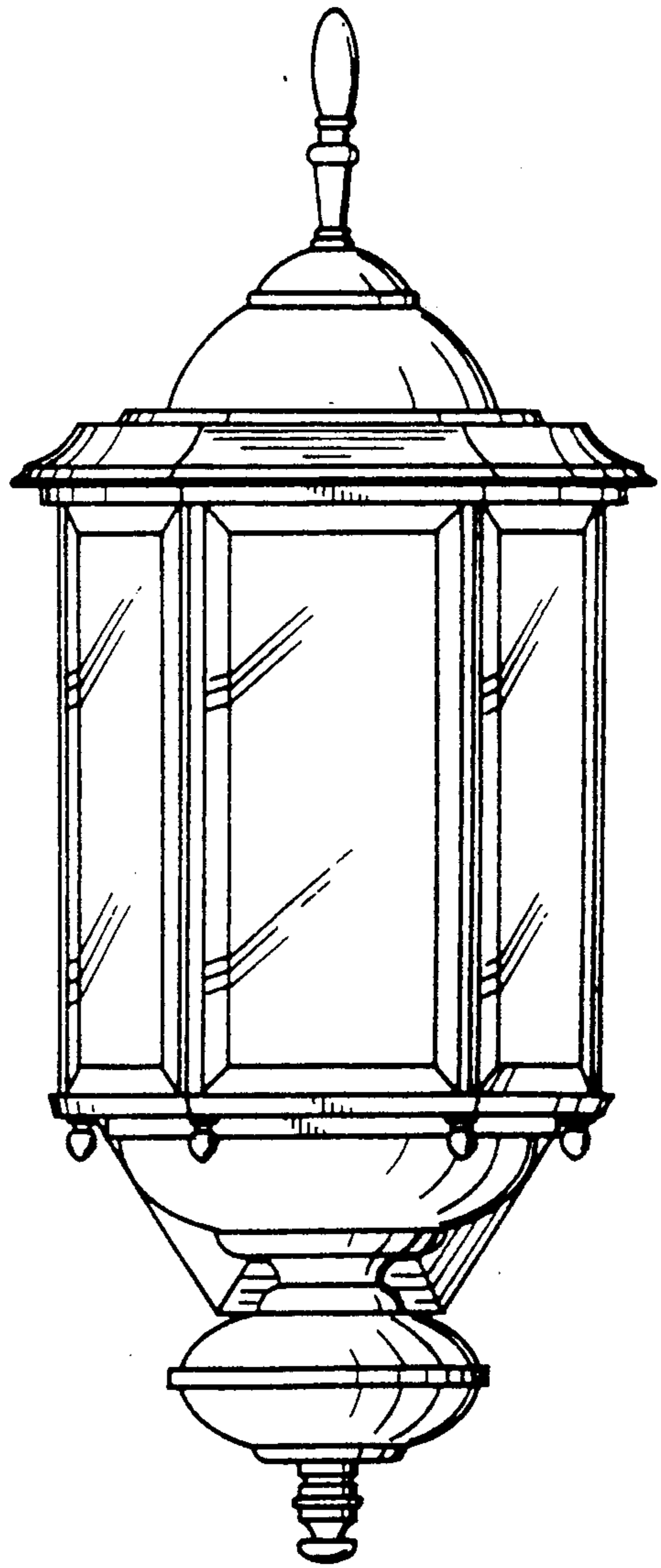
FIG. 6 is a bottom plan view thereof.



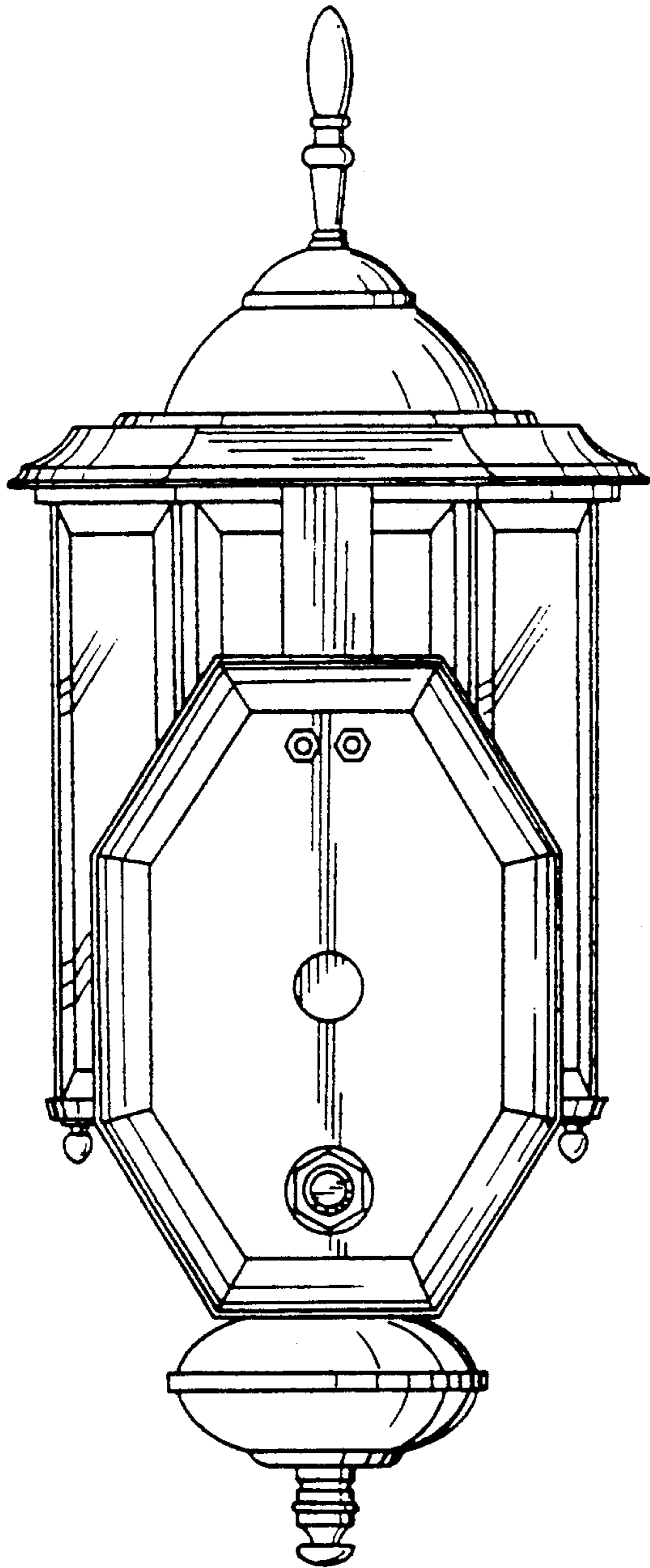
**FIG. 1**



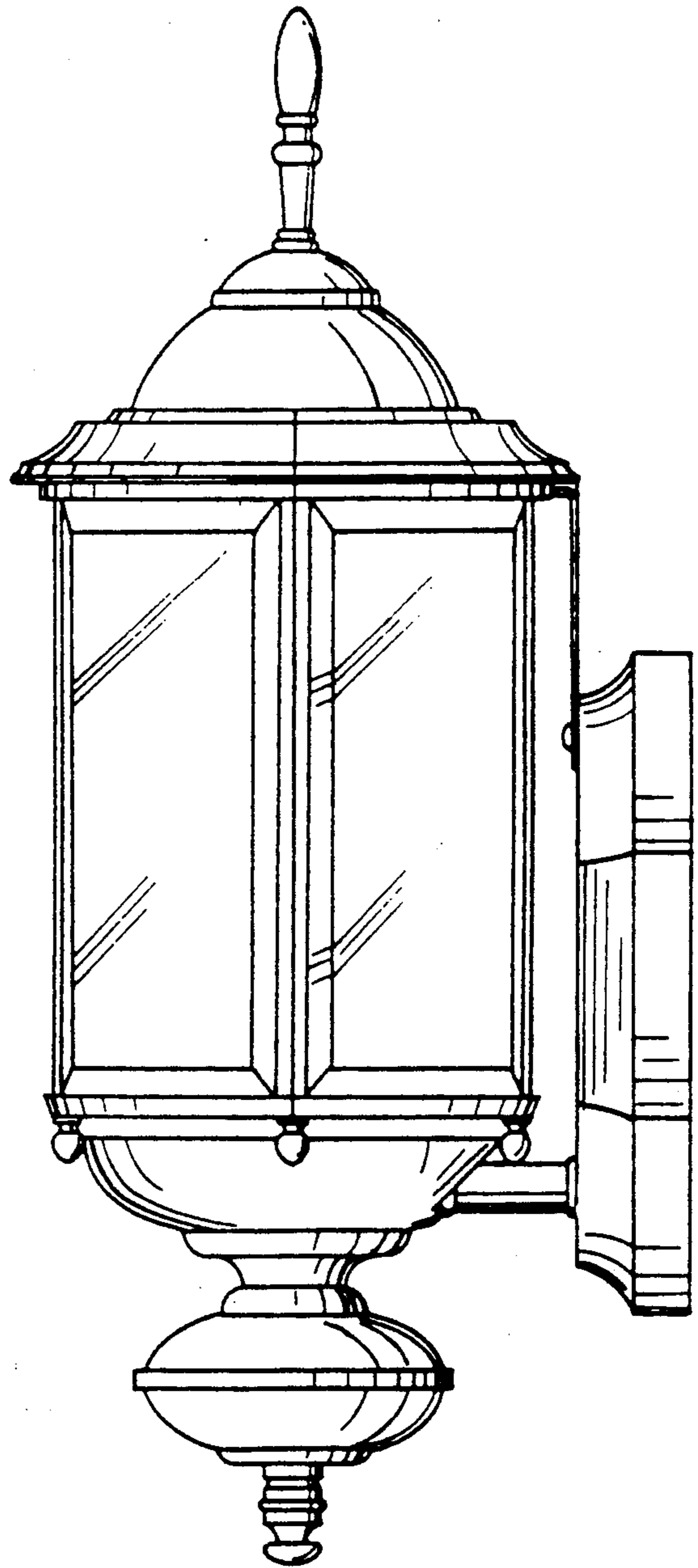
**FIG. 2**



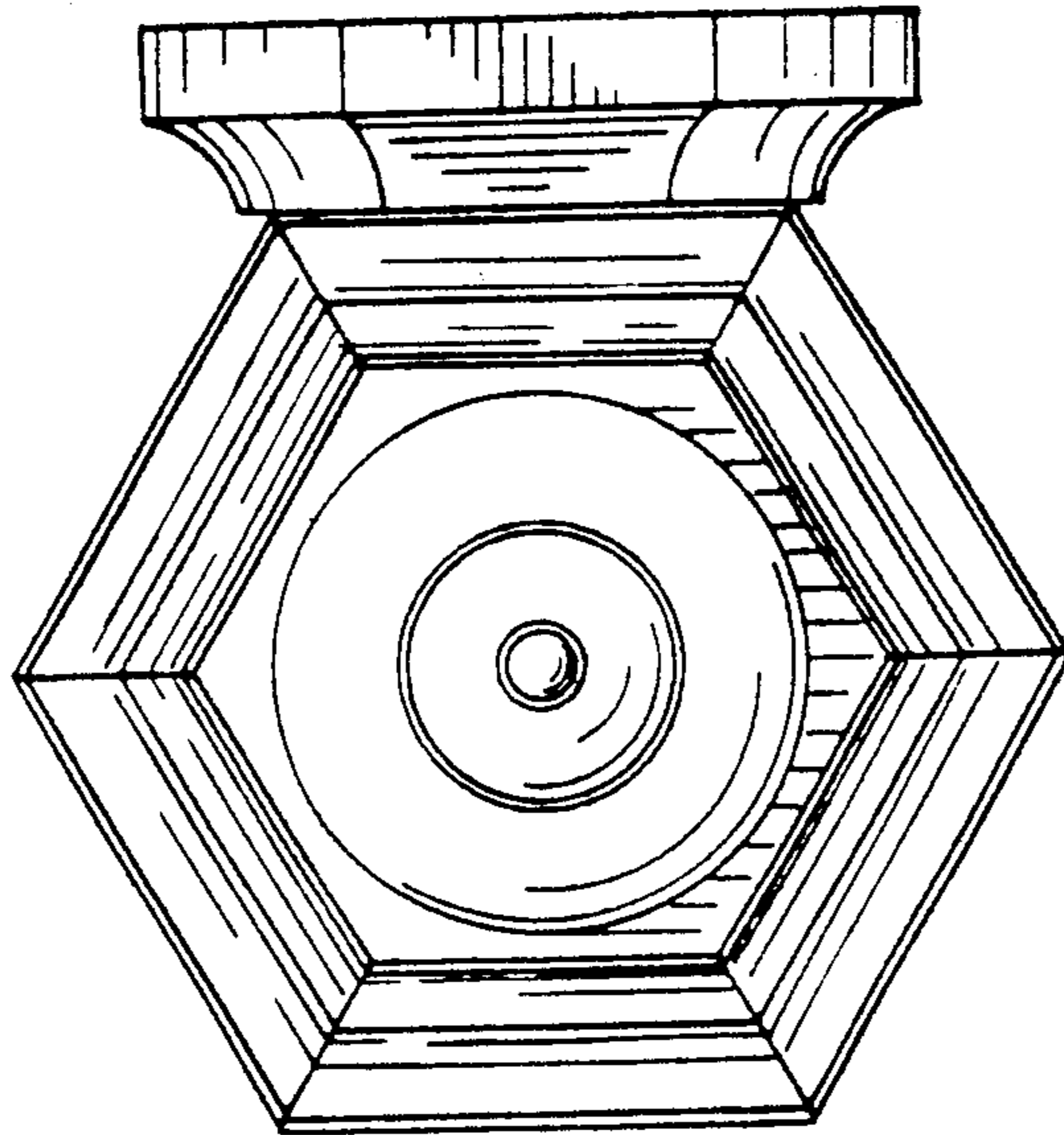
**FIG. 3**



**FIG. 4**



**FIG. 5**



**FIG. 6**

