

[54] HIGH-PRESSURE DISCHARGE LAMP

[75] Inventor: Wolfgang Greiler, Unterhaching, Fed. Rep. of Germany

[73] Assignee: OSRAM GmbH, Munich, Fed. Rep. of Germany

[\*\*] Term: 14 Years

[21] Appl. No.: 298,640

[22] Filed: Jan. 18, 1989

[30] Foreign Application Priority Data

Jul. 21, 1988 [IB] Int'l Pat. Institute ..... DM/011399  
[52] U.S. Cl. .... D26/2  
[58] Field of Search ..... D26/2, 3; 313/315, 318, 313/110, 113, 512, 634, 51

[56] References Cited

U.S. PATENT DOCUMENTS

2,561,866	7/1951	Isaacs et al. ....	313/318 X
3,262,001	7/1966	Rijckeaert .....	313/318 X
4,533,851	8/1985	Block et al. ....	313/51
4,626,734	12/1986	Greiler .....	313/318 X
4,722,039	1/1988	Gaugel .....	313/113 X

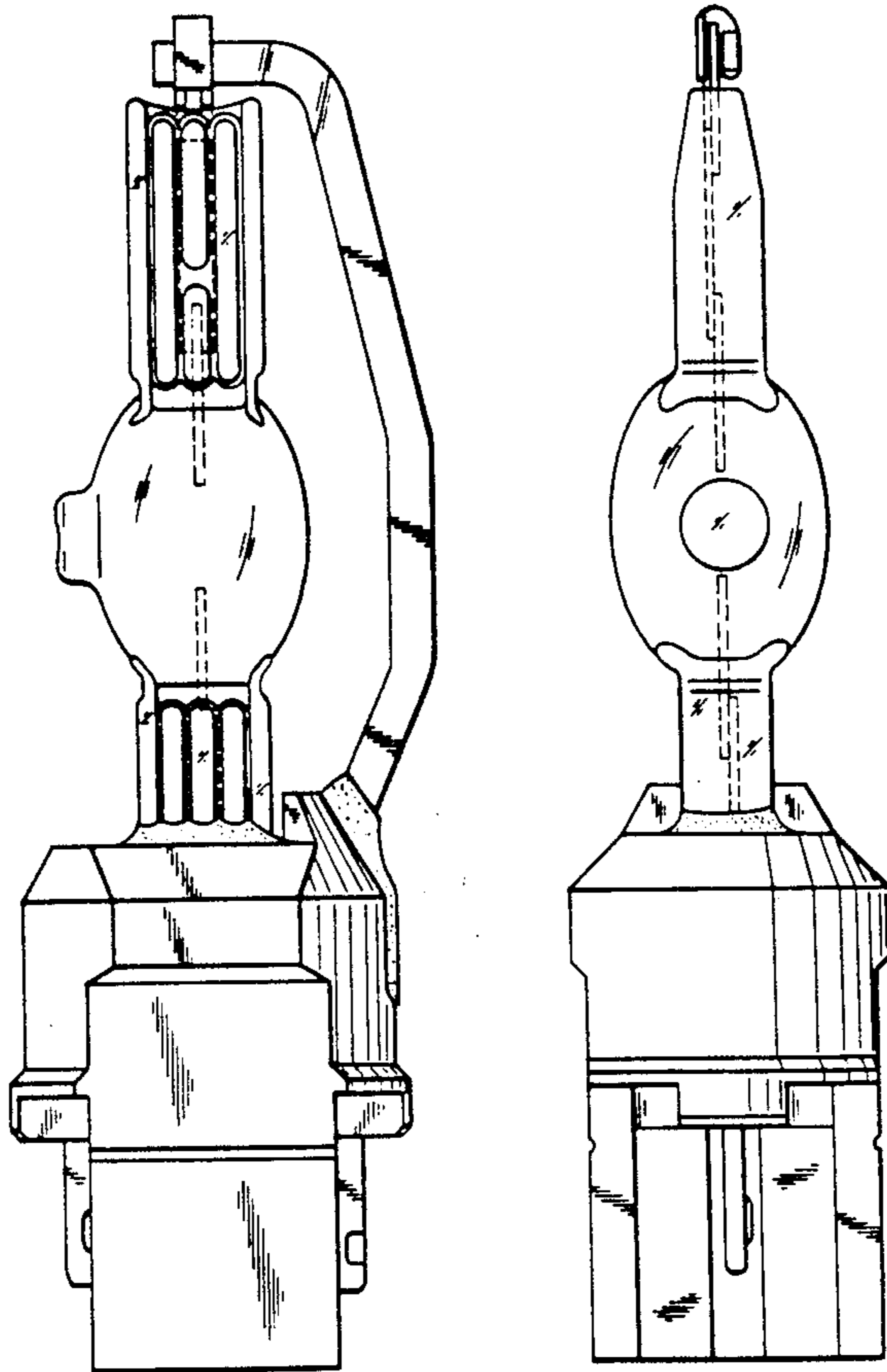
Primary Examiner—Susan J. Lucas  
Attorney, Agent, or Firm—Frishauf, Holtz, Goodman & Woodward

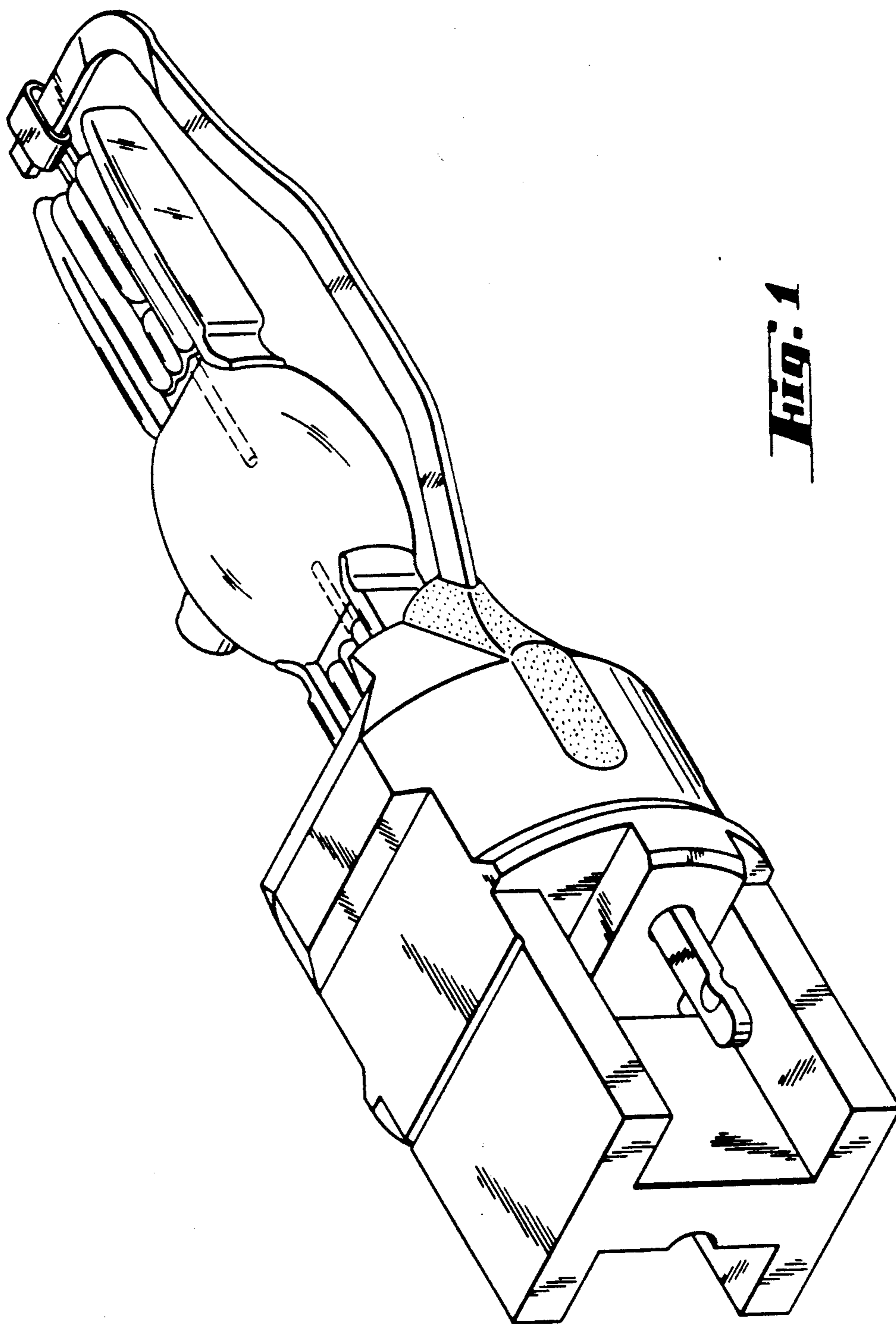
[57] CLAIM

The ornamental design for a high-pressure discharge lamp, as shown and described.

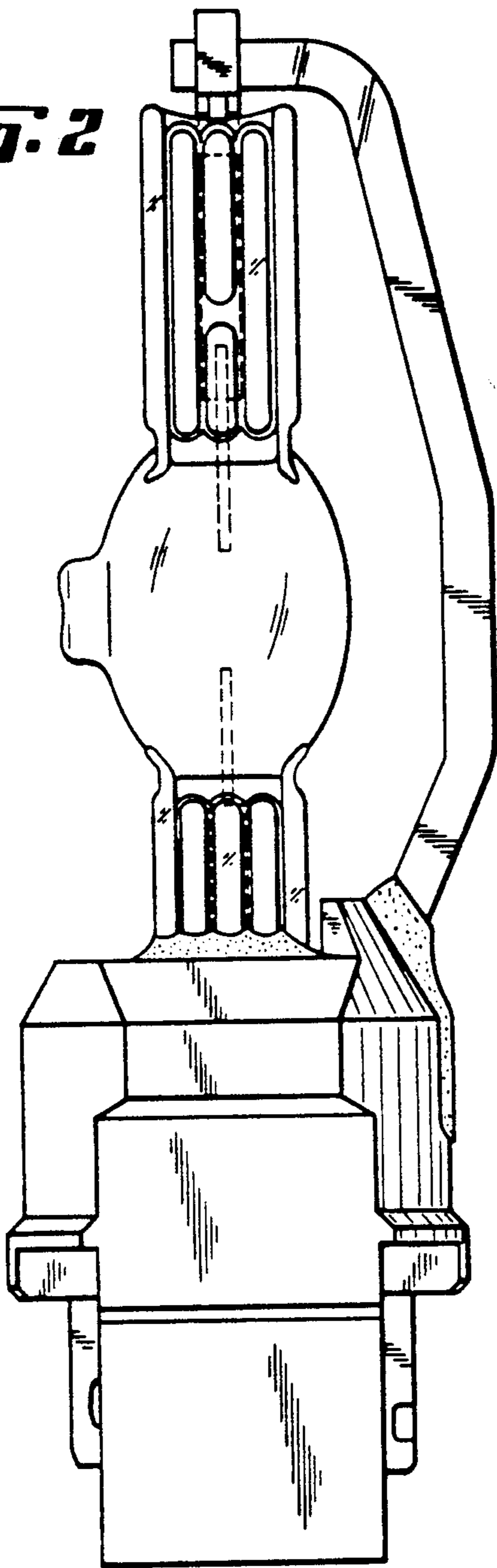
DESCRIPTION

FIG. 1 is a front perspective view of a high-pressure discharge lamp showing my new design; FIG. 2 is a front elevational view thereof; FIG. 3 is a side elevational view thereof as seen from the left of FIG. 2; FIG. 4 is a bottom plan view thereof; FIG. 5 is a rear elevational view thereof; FIG. 6 is a side elevational view thereof as seen from the right of FIG. 2. FIG. 7 is a top plan view thereof; FIG. 8 is a front perspective view of a second embodiment of my new design; FIG. 9 is a front elevational view thereof; FIG. 10 is a side elevational view thereof as seen from the left of FIG. 9; FIG. 11 is a bottom plan view thereof; FIG. 12 is a rear elevational view thereof; FIG. 13 is a side elevational view thereof as seen from the right of FIG. 9. FIG. 14 is a top plan view thereof. The stippled areas in the drawings illustrate holding cement, having a different texture than the remainder of the base which, usually is made of ceramic material. The interior leads are shown in broken lines for illustrative purposes only.

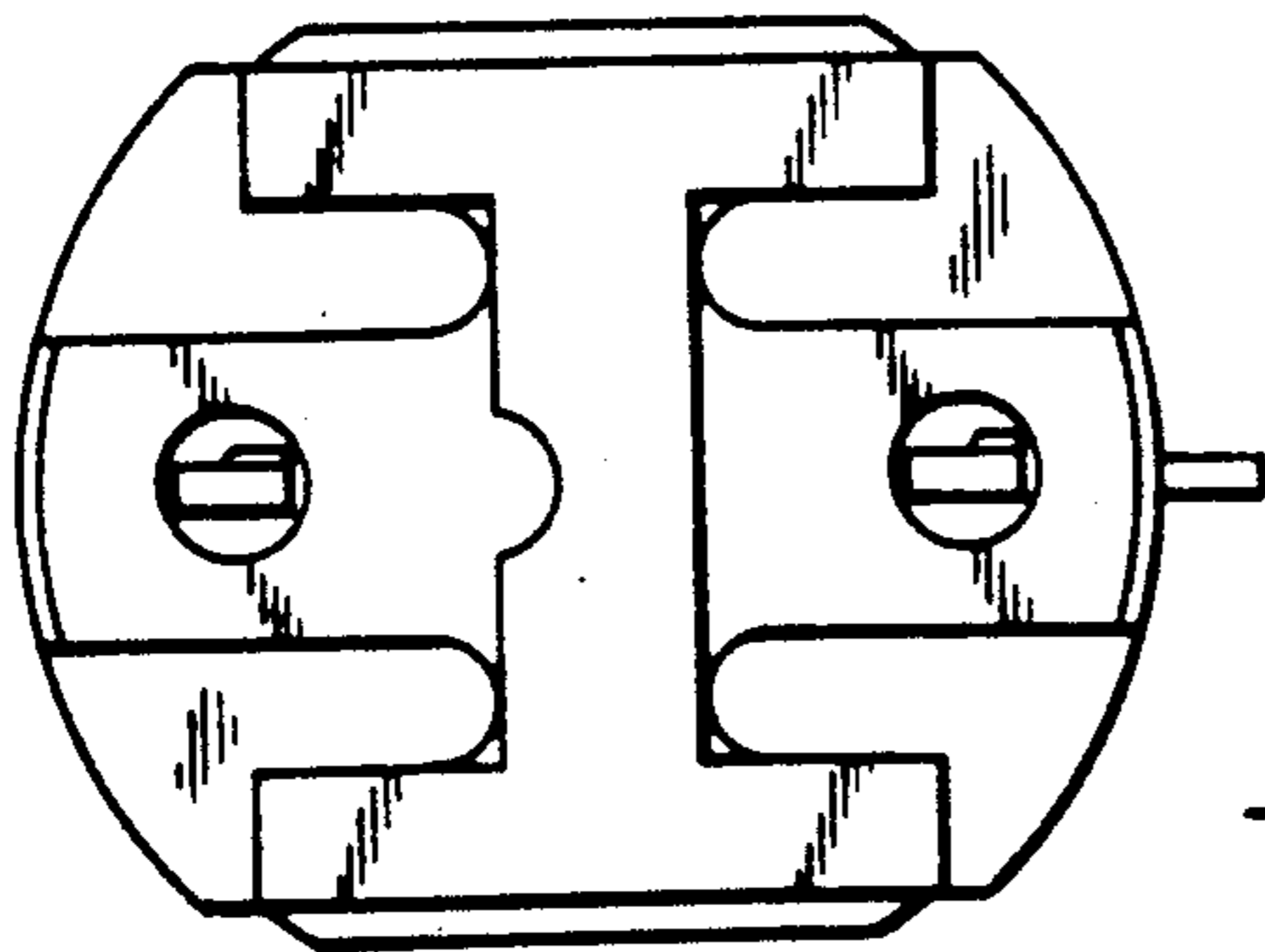
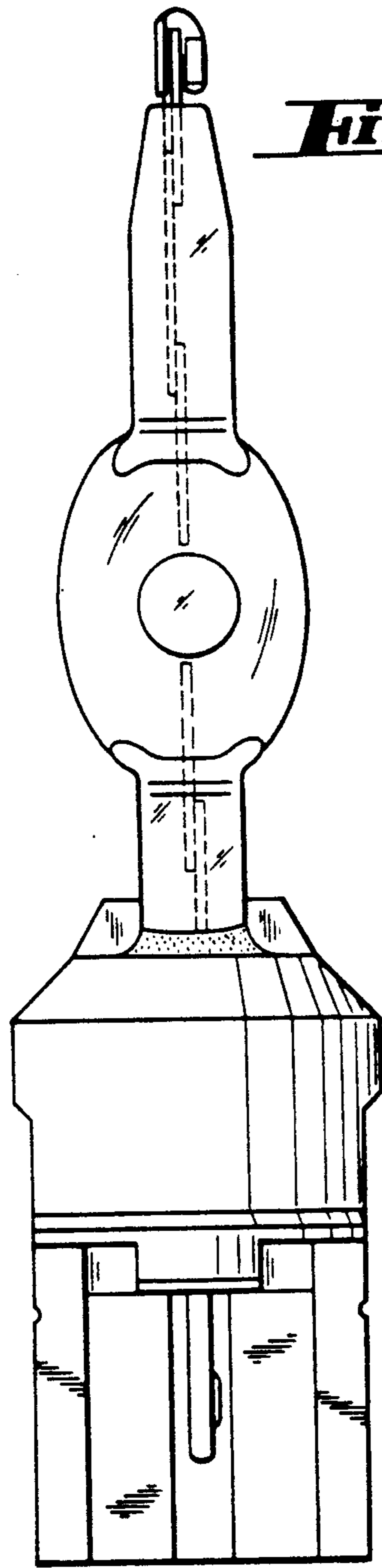




**Fig. 2**

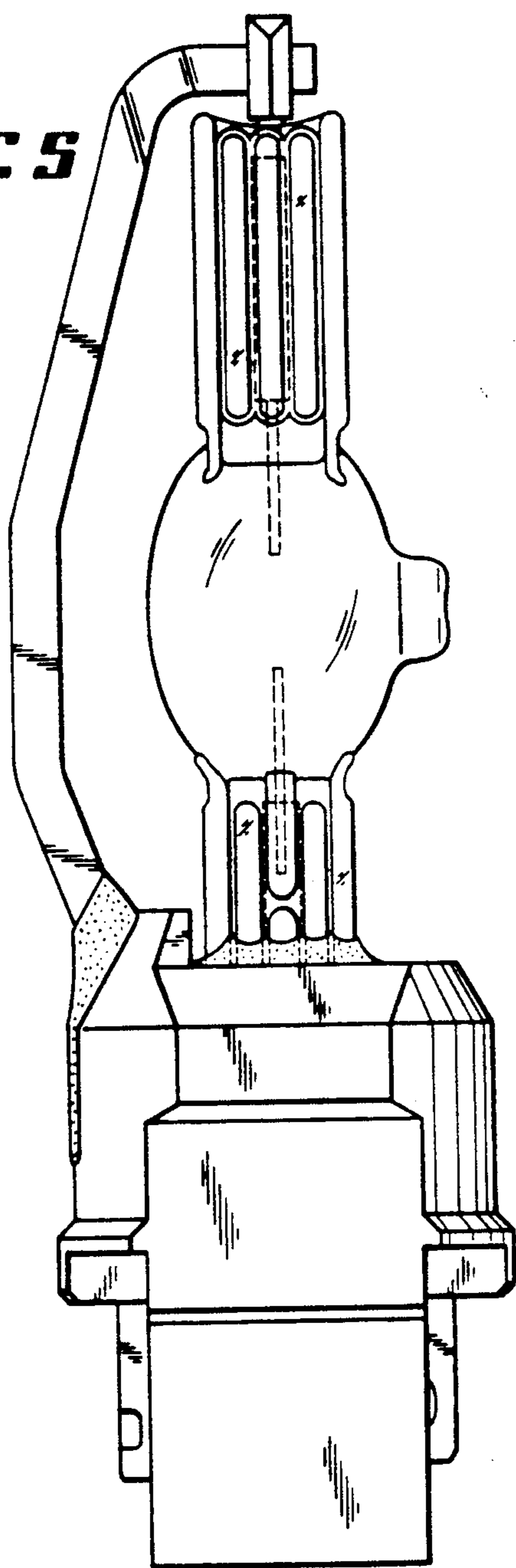


**Fig. 3**

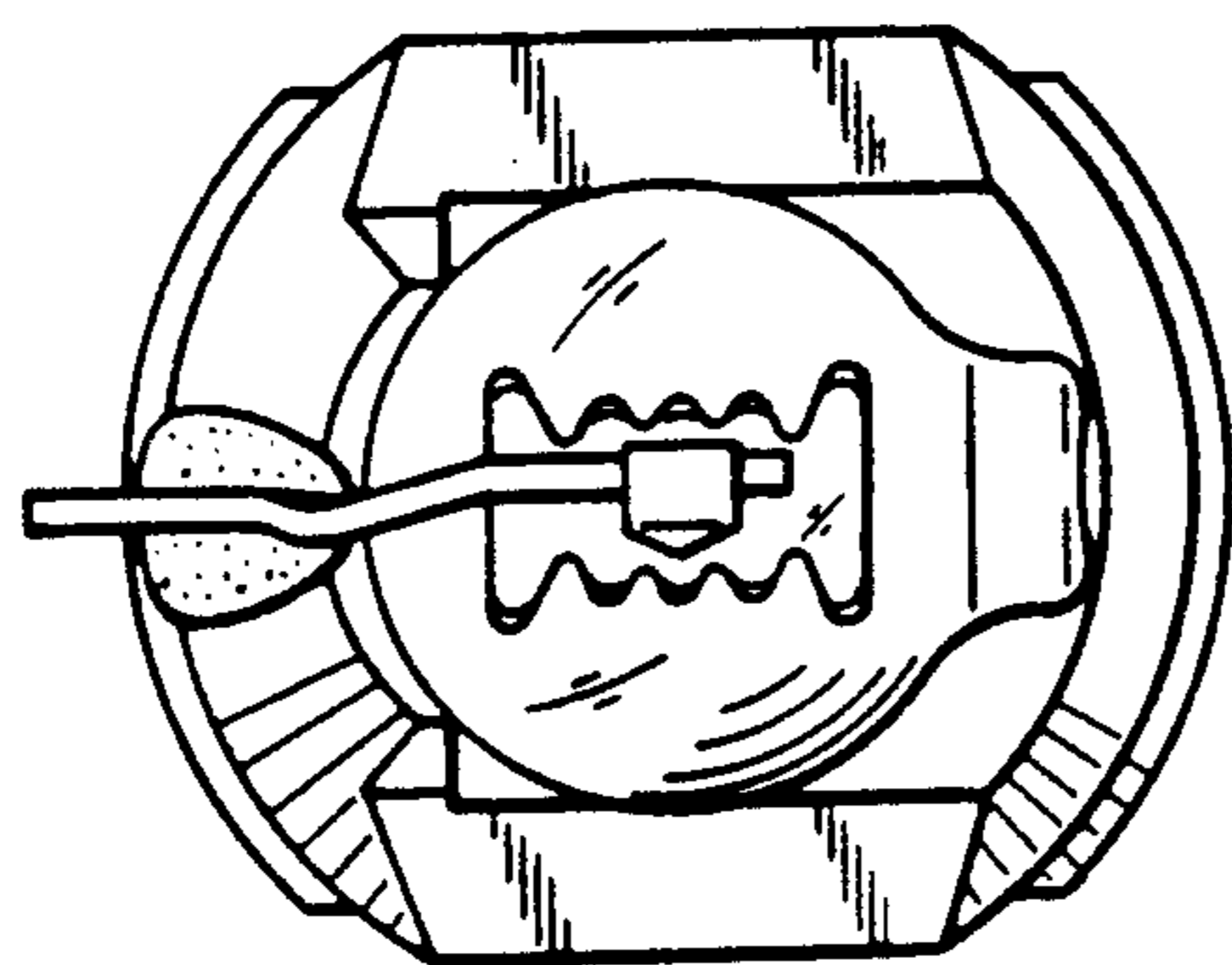
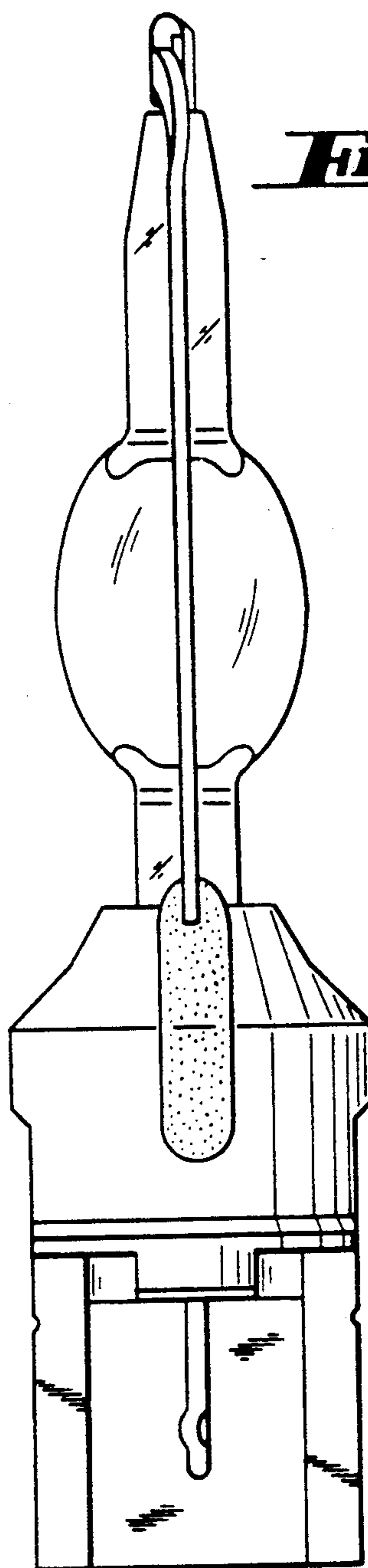


**Fig. 4**

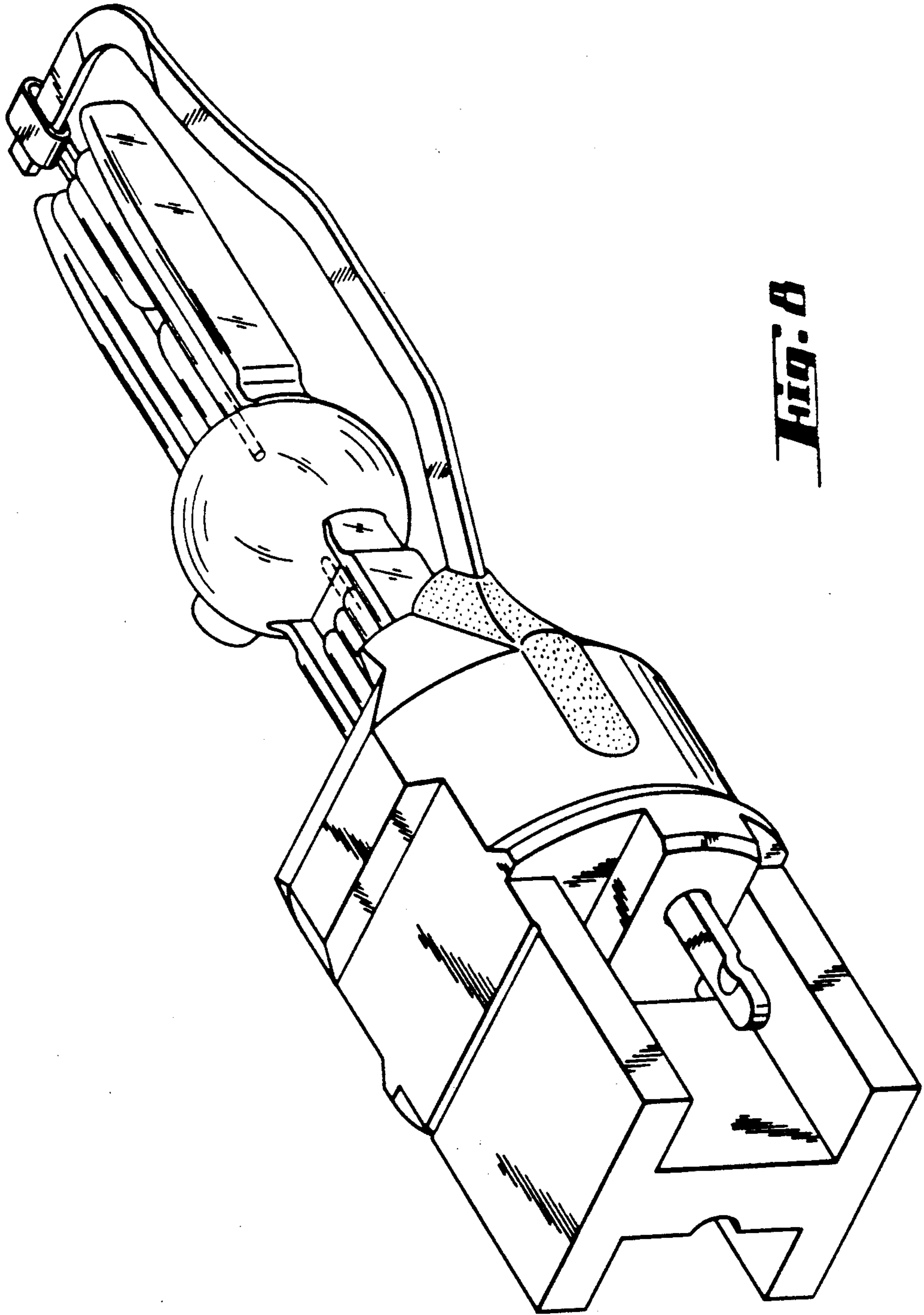
**Fig. 5**



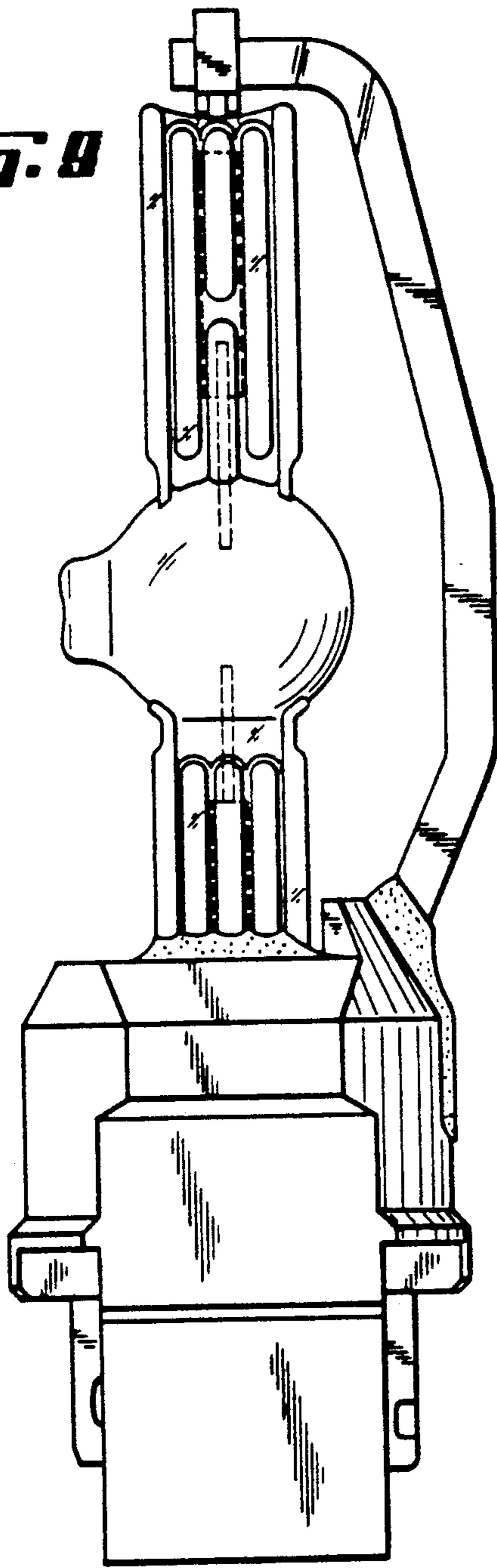
**Fig. 6**



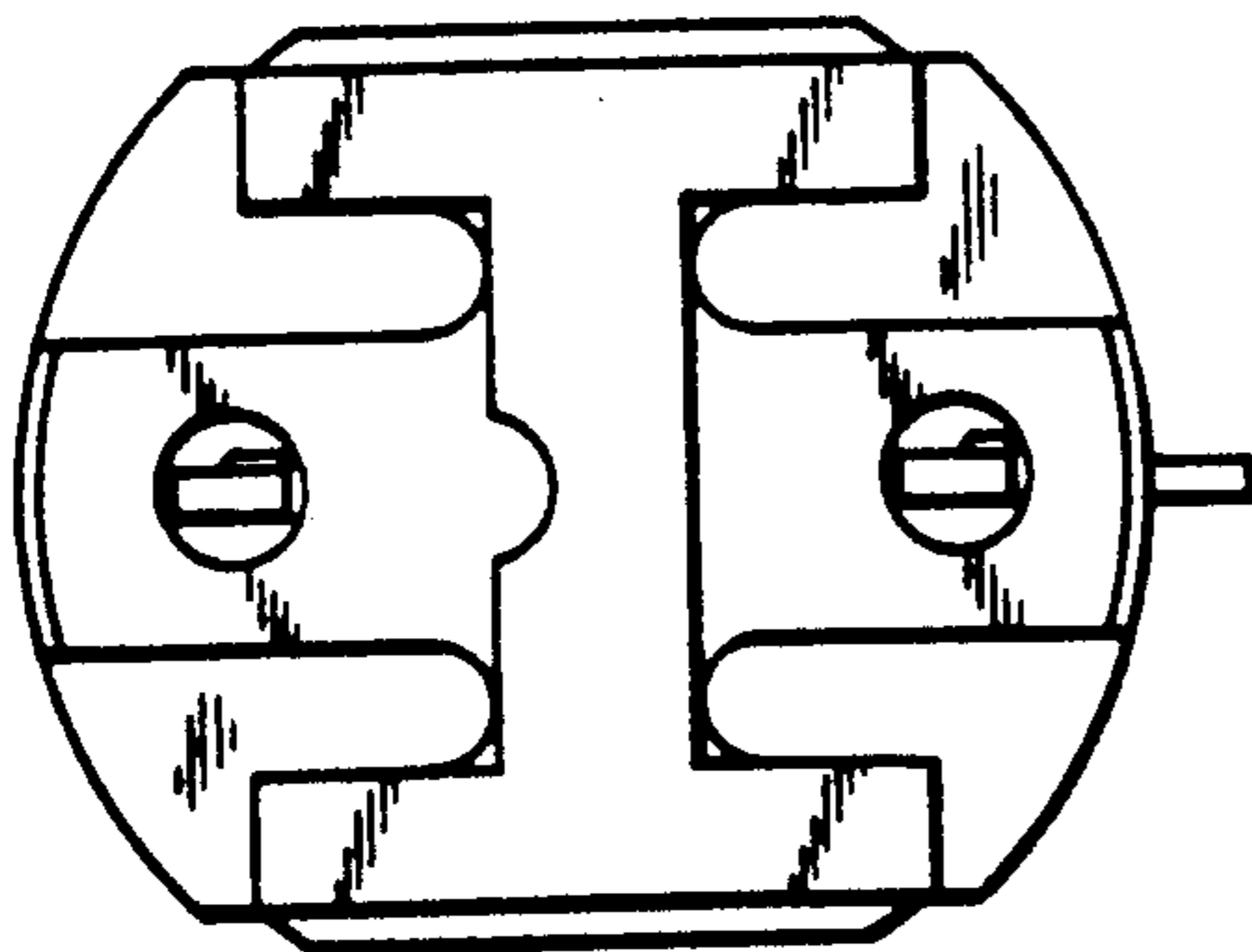
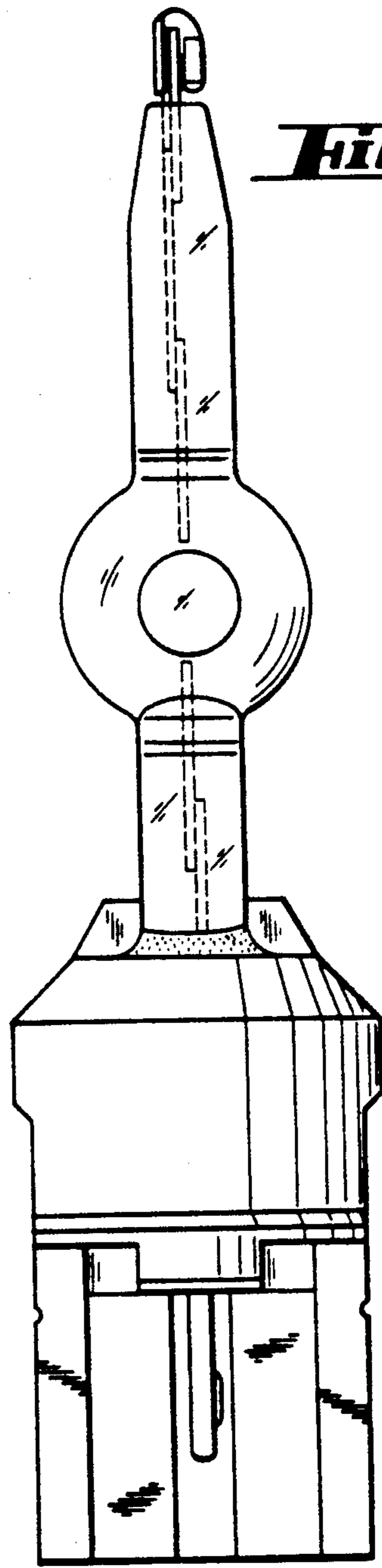
**Fig. 7**



**Fig. 9**

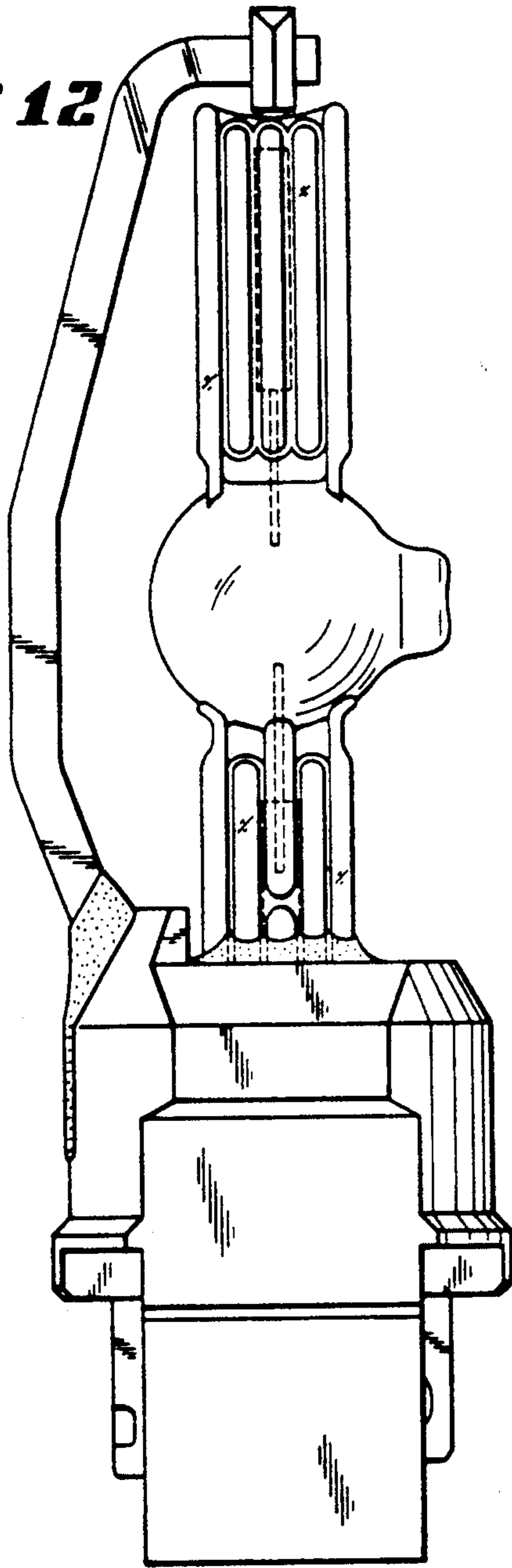


**Fig. 10**

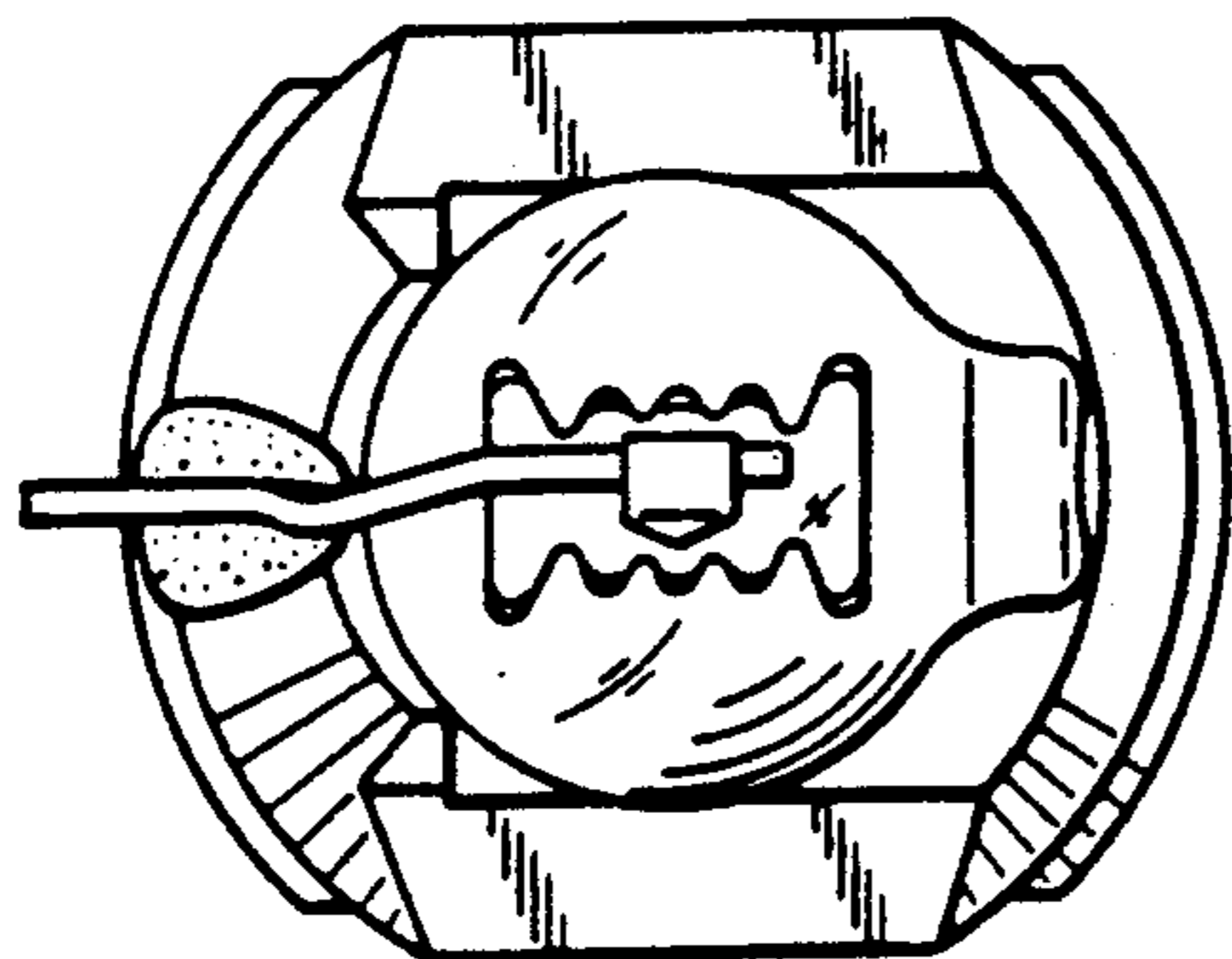
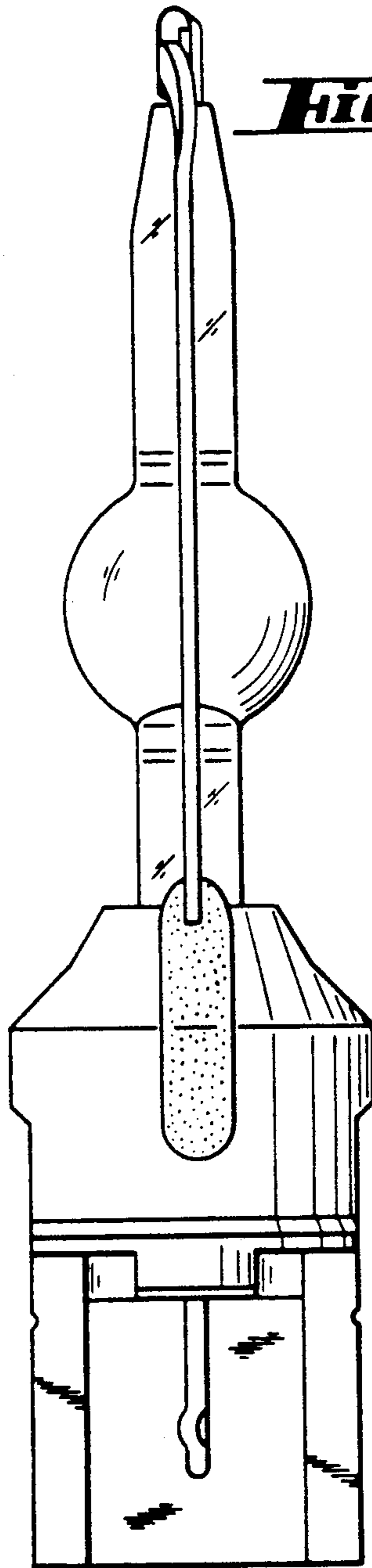


**Fig. 11**

**Fig. 12**



**Fig. 13**



**Fig. 14**