

[54] **NURSING BOTTLE**

[76] **Inventor: Wynn C. Lau, 8108 W. 102nd St.,
Bloomington, Minn. 55438**

[**] **Term: 14 Years**

[21] **Appl. No.: 423,106**

[22] **Filed: Oct. 18, 1989**

[52] **U.S. Cl. D24/47**

[58] **Field of Search D24/47, 46, 45;
215/11 R, 11.1-11.6; D9/373**

[56] **References Cited**

U.S. PATENT DOCUMENTS

D. 249,076 8/1978 Meeker et al. D24/47 X
4,867,325 9/1989 Dransfield 215/11.2

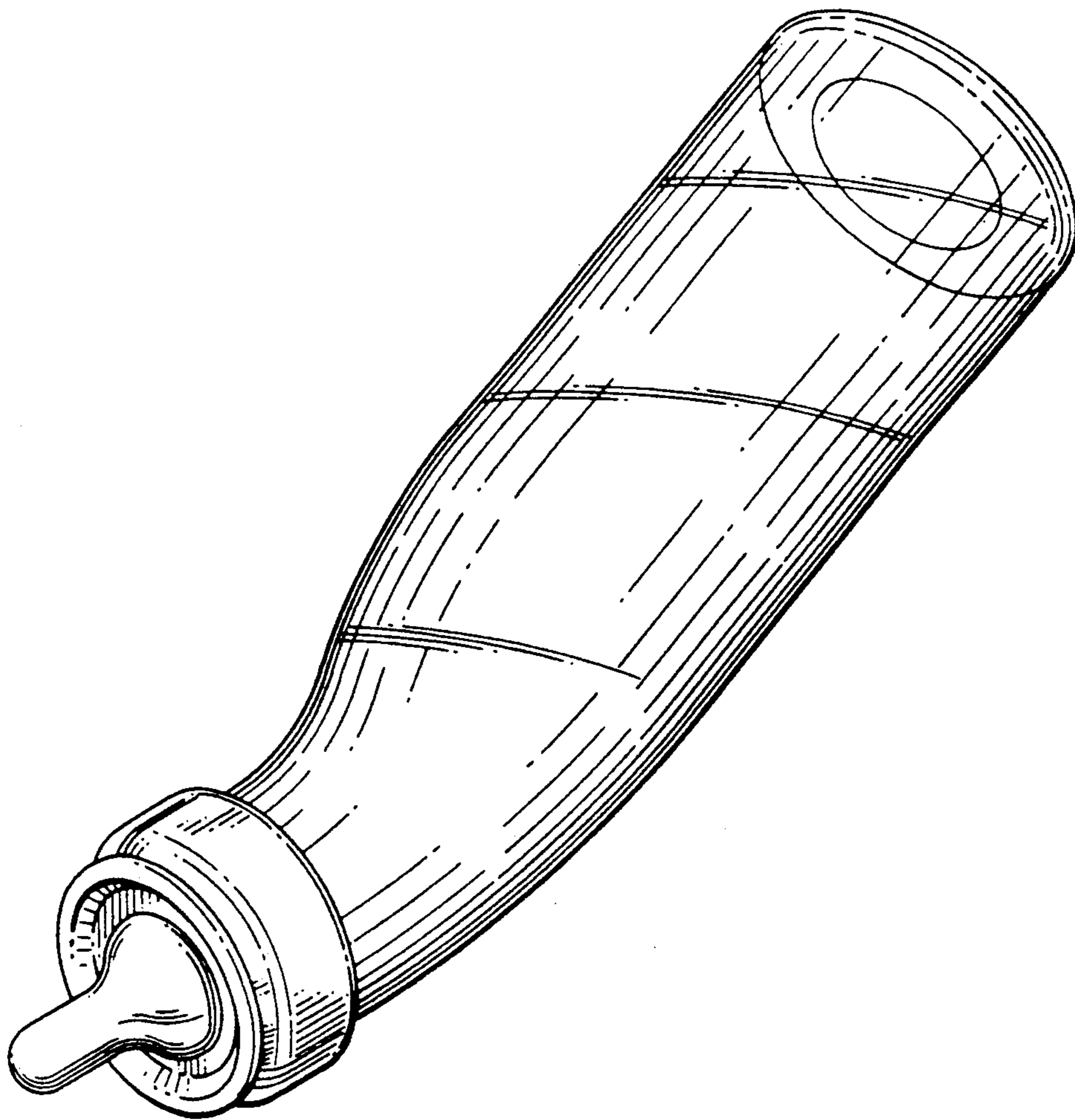
*Primary Examiner—Stella Reid
Attorney, Agent, or Firm—Merchant, Gould, Smith,
Edell, Welter & Schmidt*

[57] **CLAIM**

The ornamental design for a nursing bottle, as shown and described.

DESCRIPTION

FIG. 1 is a perspective view of a nursing bottle showing my new design;
FIG. 2 is a top plan view thereof;
FIG. 3 is a bottom plan view thereof;
FIG. 4 is a side elevational view thereof;
FIG. 5 is a front elevational view of an inverted bottle showing my new design; and
FIG. 6 is a front elevational view thereof.



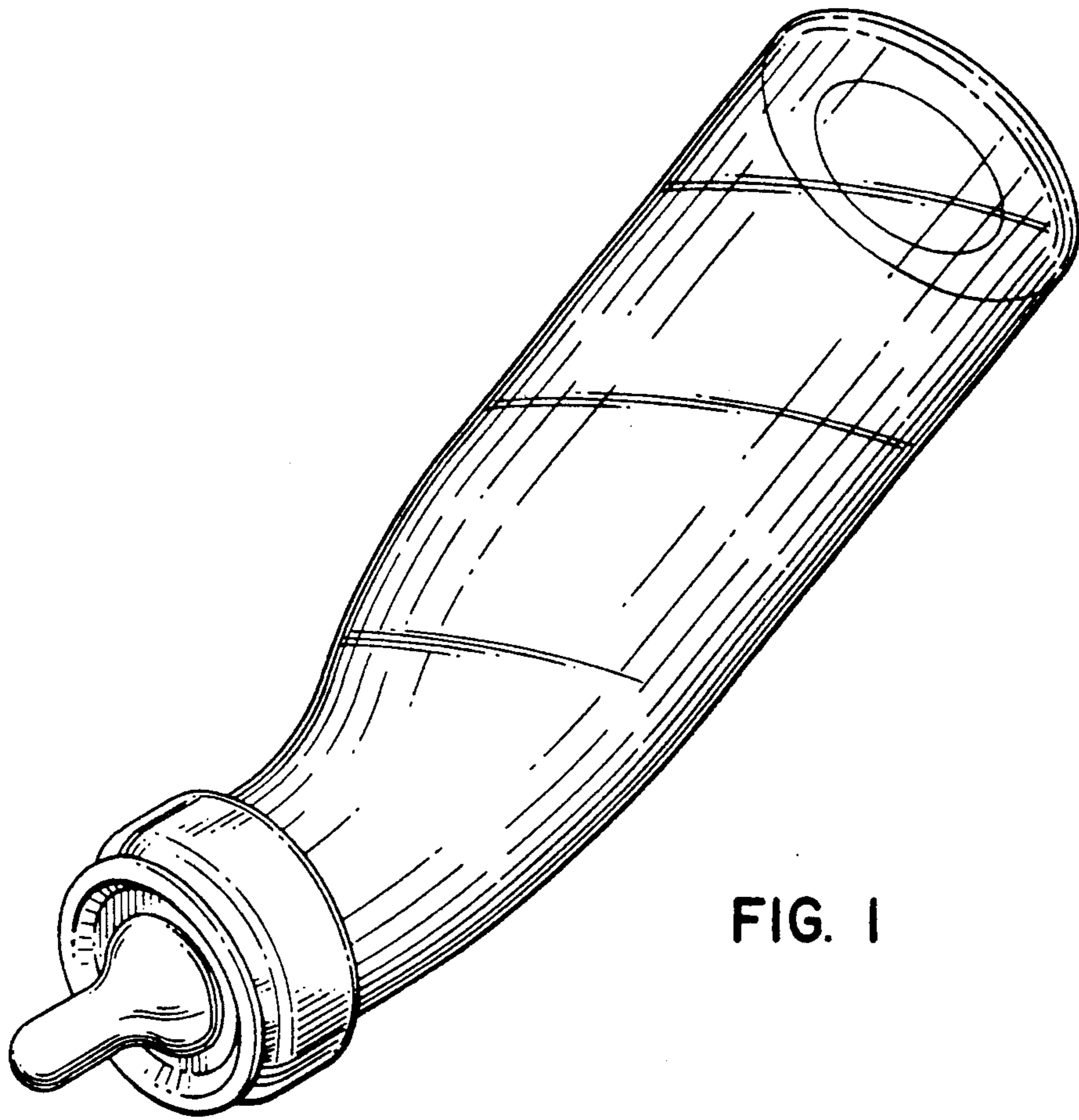


FIG. 1

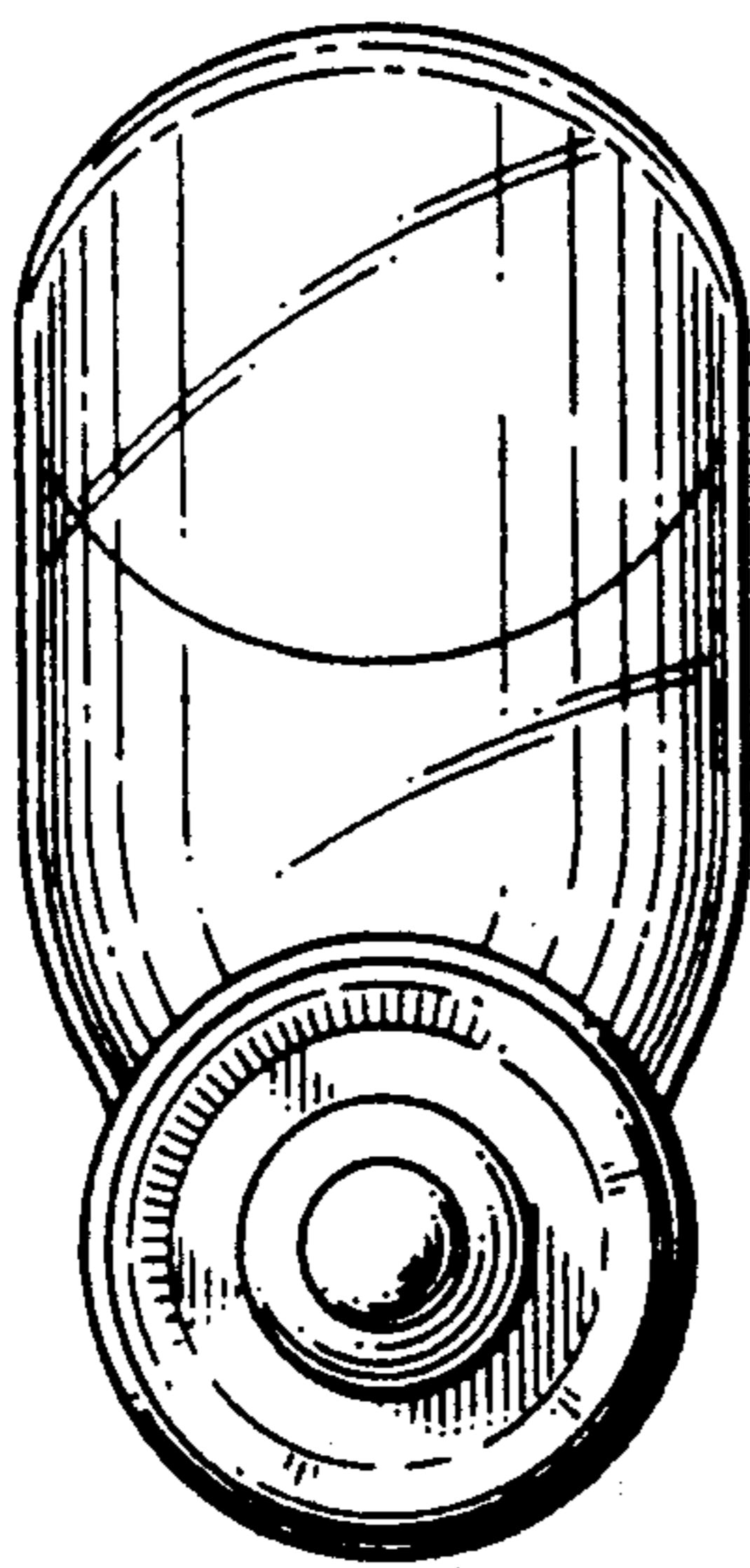


FIG. 2

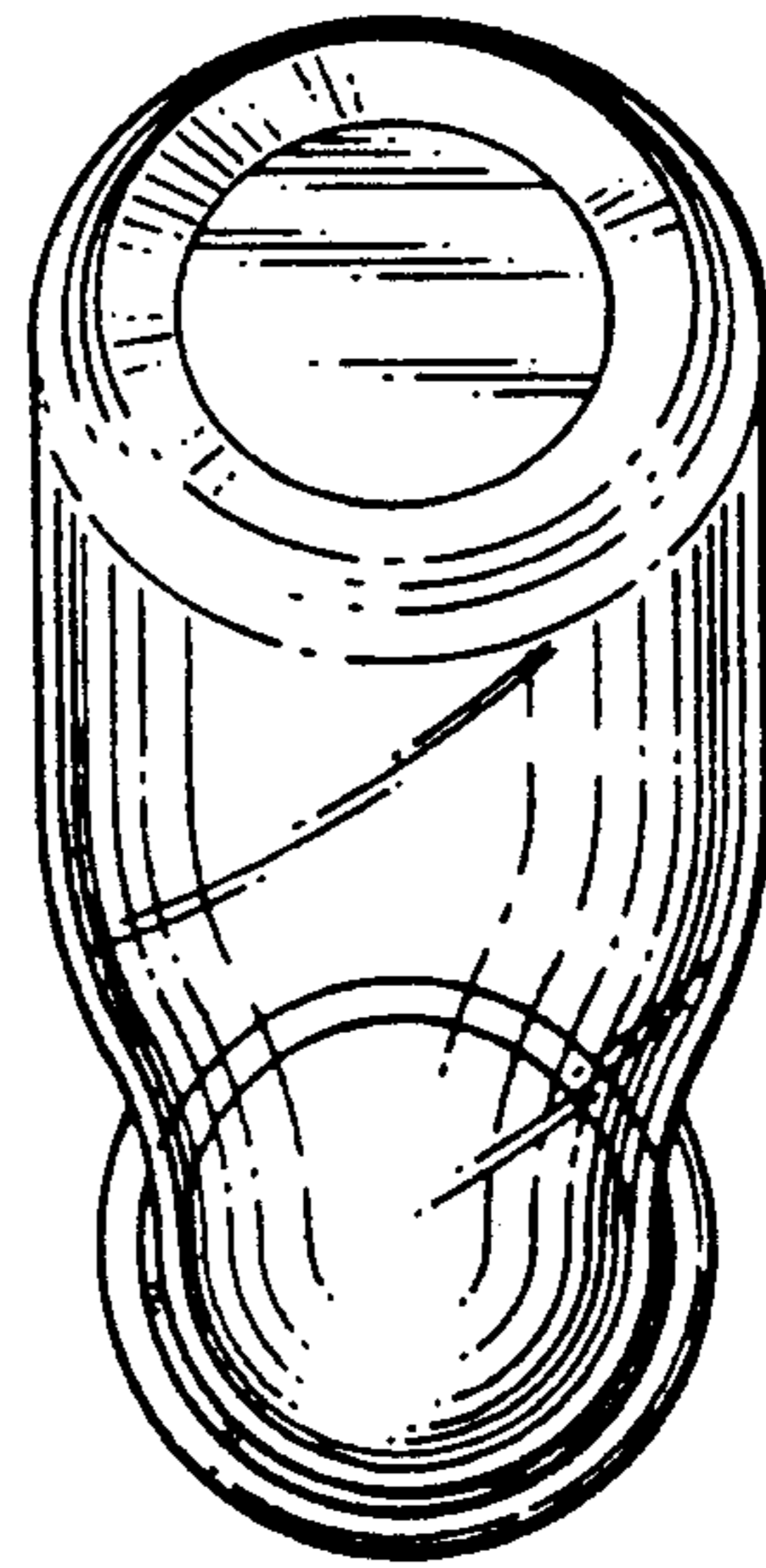


FIG. 3

FIG. 4

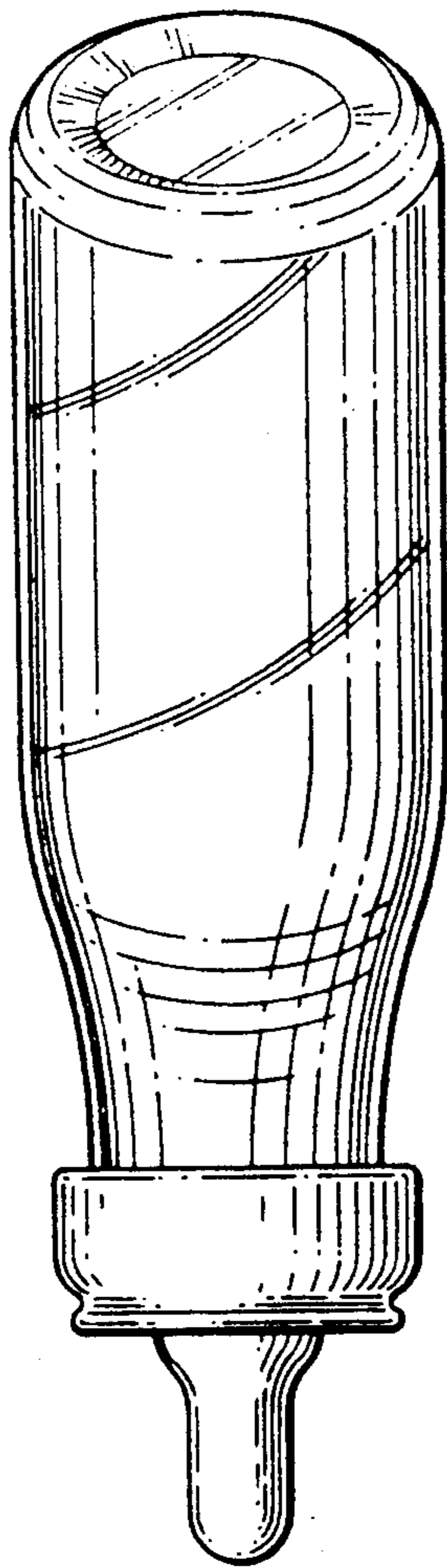
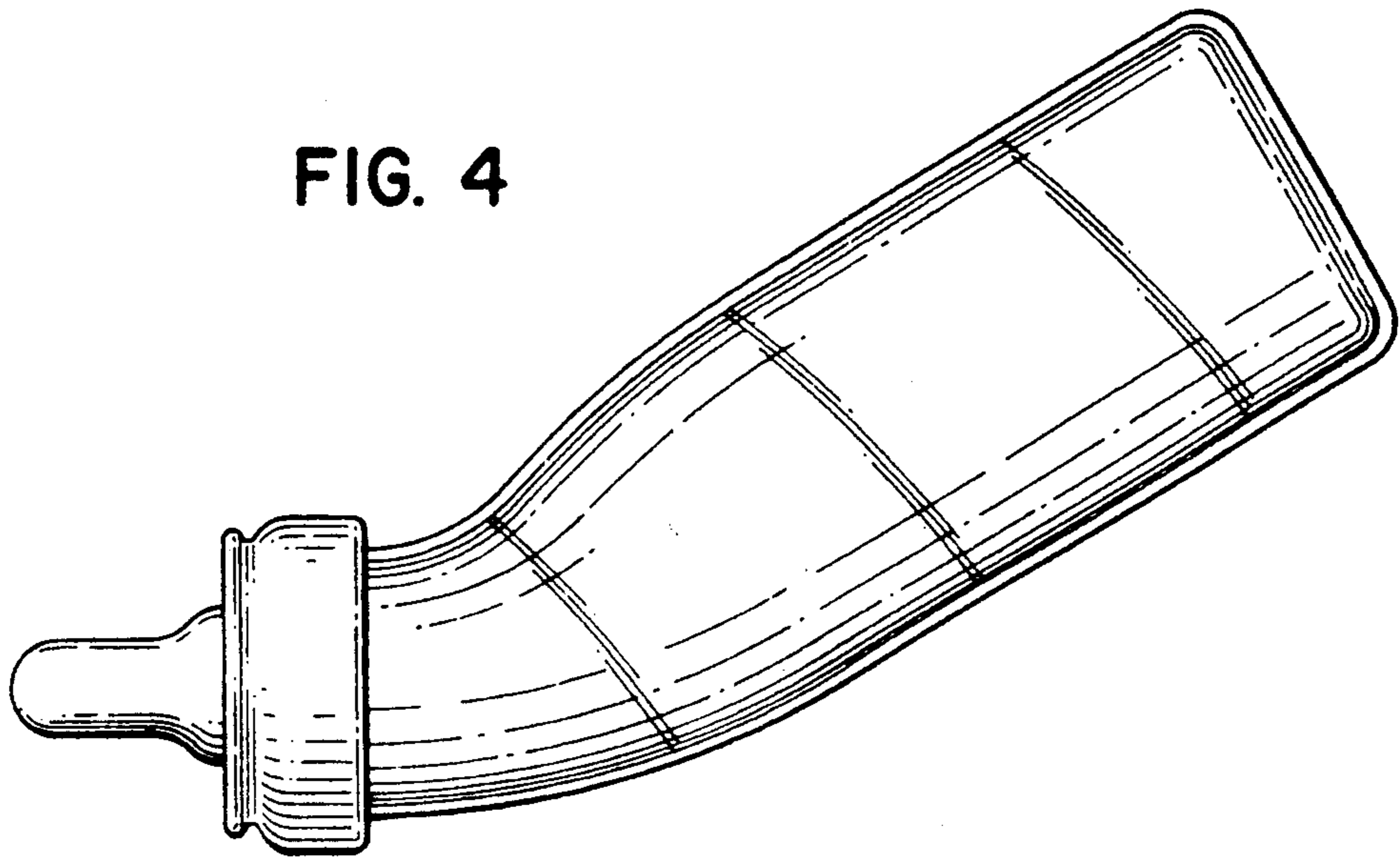


FIG. 5

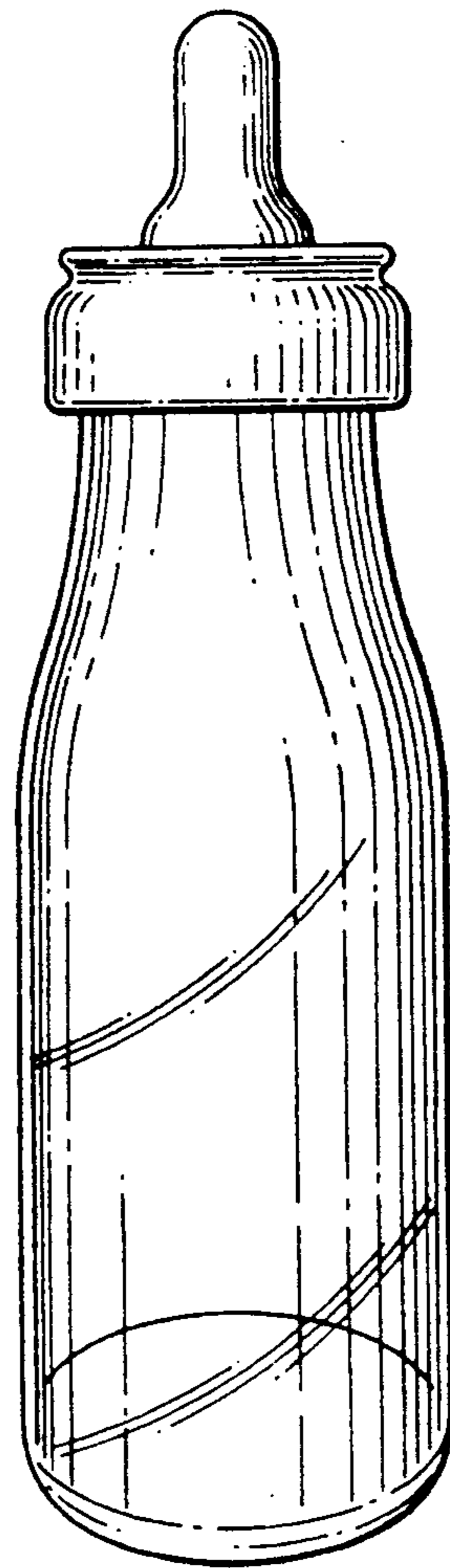


FIG. 6