

[54] CULTURE DISH

[75] Inventor: Robert A. Ricketts, Rochester, Mich.

[73] Assignee: Troy Biologicals, Inc., Troy, Mich.

[\*] Notice: The portion of the term of this patent subsequent to May 7, 2005 has been disclaimed.

[\*\*] Term: 14 Years

[21] Appl. No.: 234,132

[22] Filed: Aug. 19, 1988

[52] U.S. Cl. .... D24/8

[58] Field of Search ..... D24/8, 99, 29; 435/297, 435/298; 422/102; 206/557; D9/418, 430; D7/541

[56] References Cited

U.S. PATENT DOCUMENTS

D. 238,886 2/1976 Guy ..... D24/8

D. 295,319 4/1988 Franchere et al. .... D24/8 X  
D. 303,428 9/1989 Wada et al. .... D24/8 X  
3,055,808 9/1962 Henderson ..... 435/298

Primary Examiner—Stella Reid  
Attorney, Agent, or Firm—Staas & Halsey

[57] CLAIM

The ornamental design for a culture dish, as shown and described.

DESCRIPTION

FIG. 1 is an exploded perspective view of a culture dish showing my new design;  
FIG. 2 is a side elevational view thereof, in assembled condition;  
FIG. 3 is a top plan view of the base thereof;  
FIG. 4 is a cross-sectional view taken along line 4—4 of FIG. 3;  
FIG. 5 is a top plan view of the cap thereof; and  
FIG. 6 is a cross-sectional view taken along line 6—6 of FIG. 5.

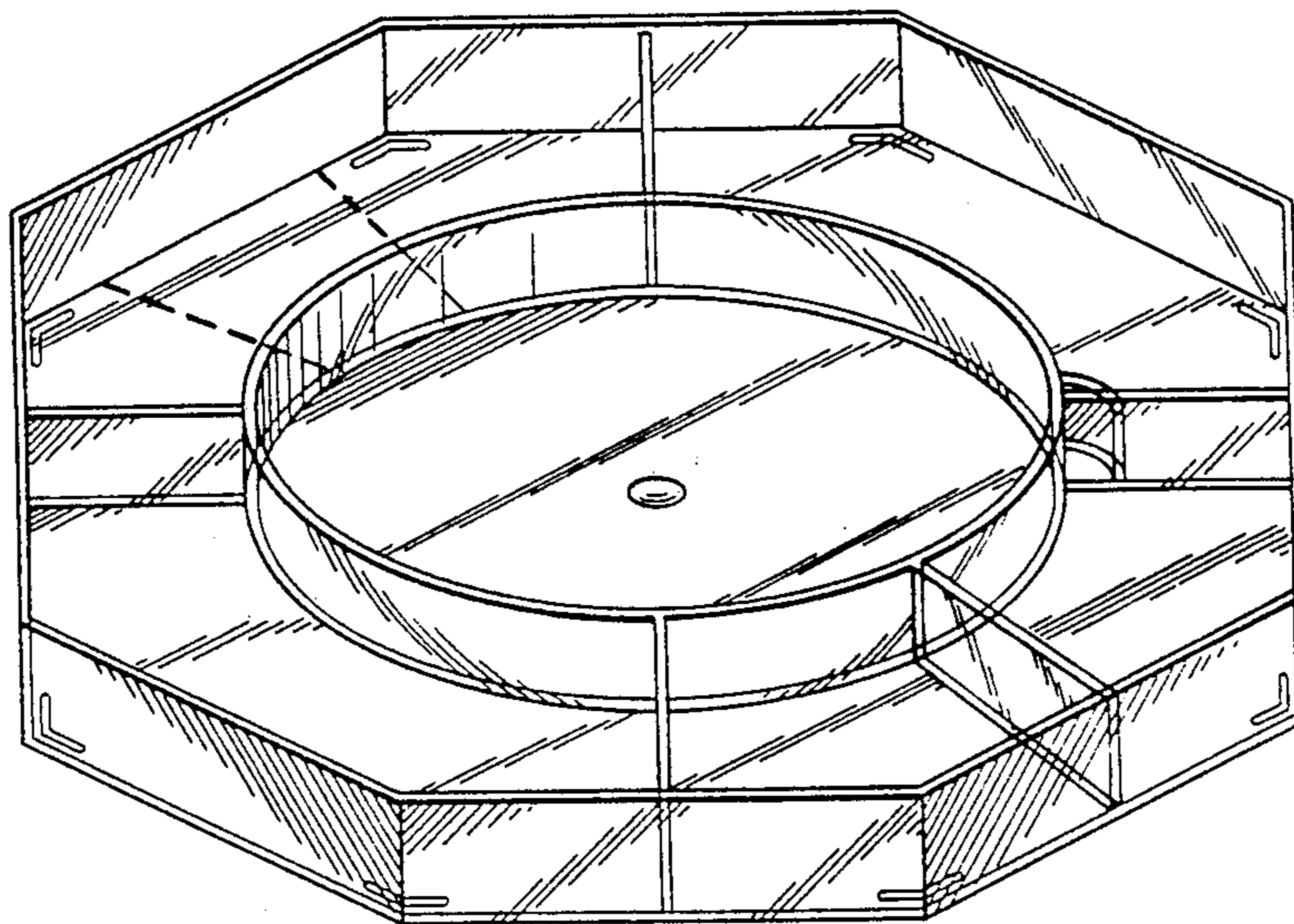
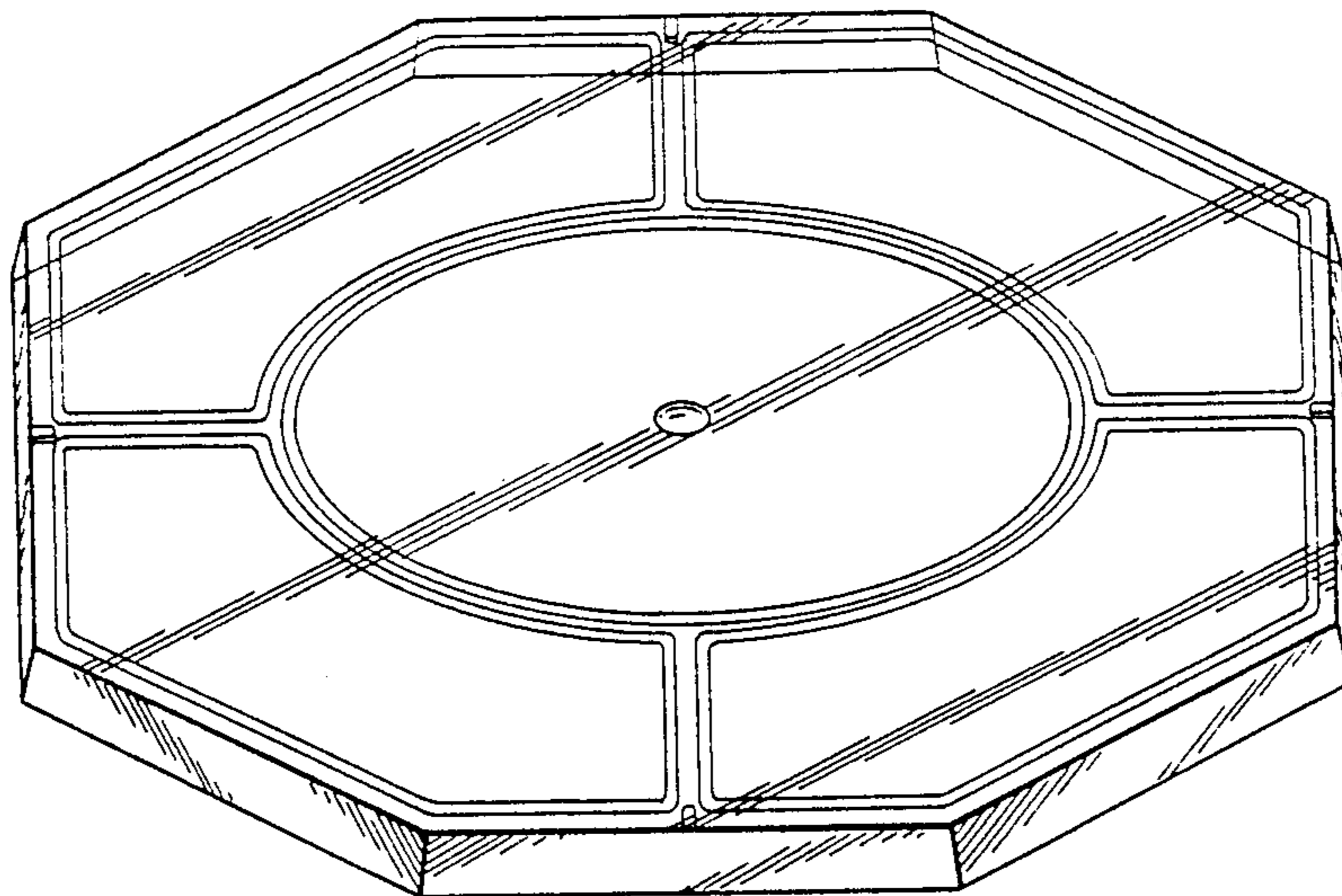


FIG. 1

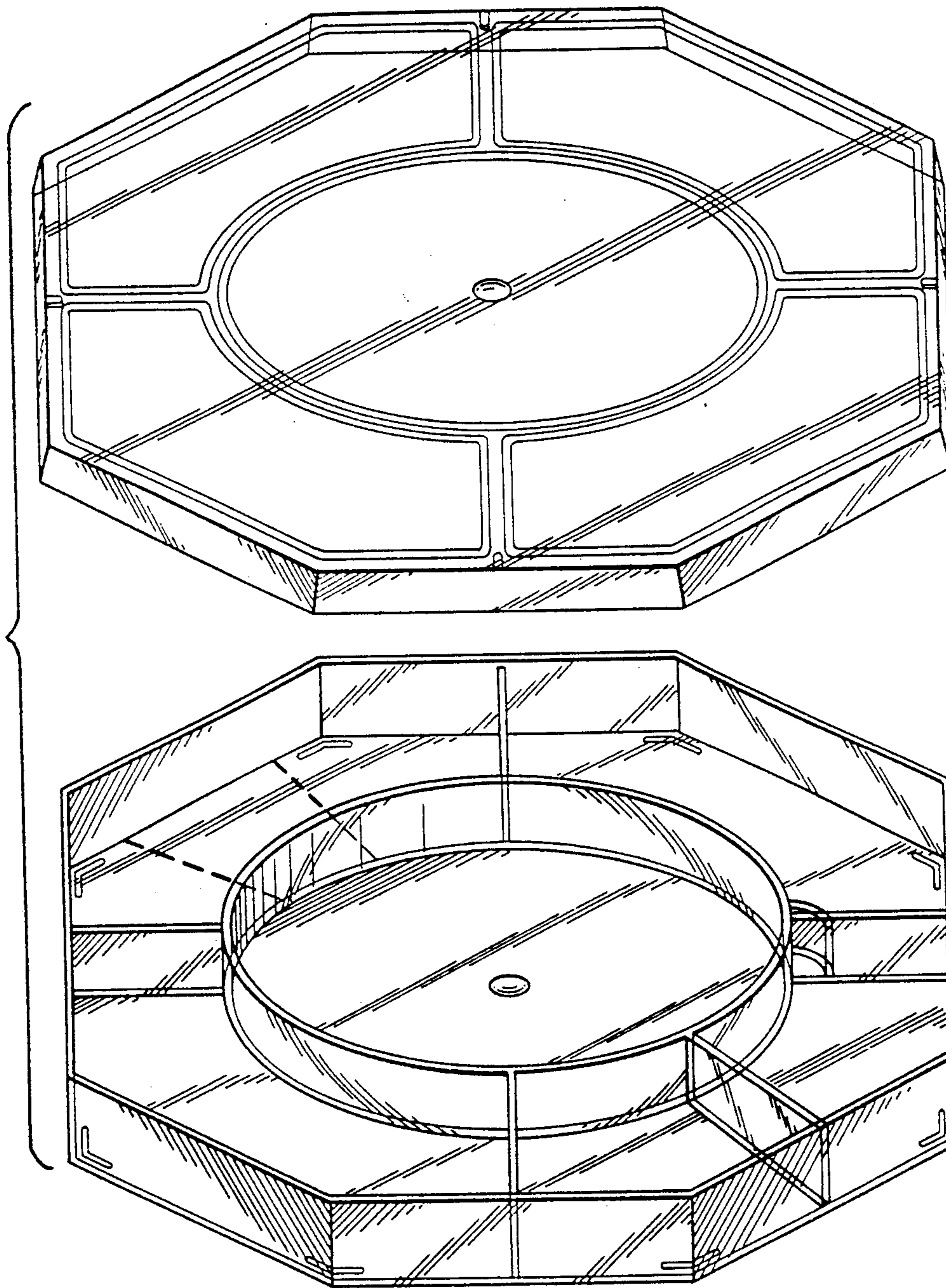
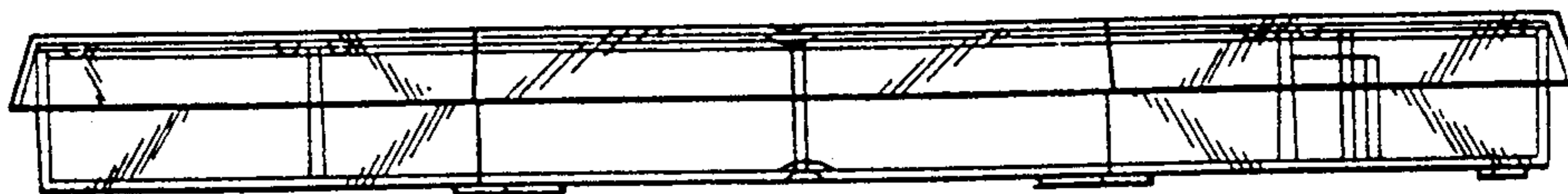
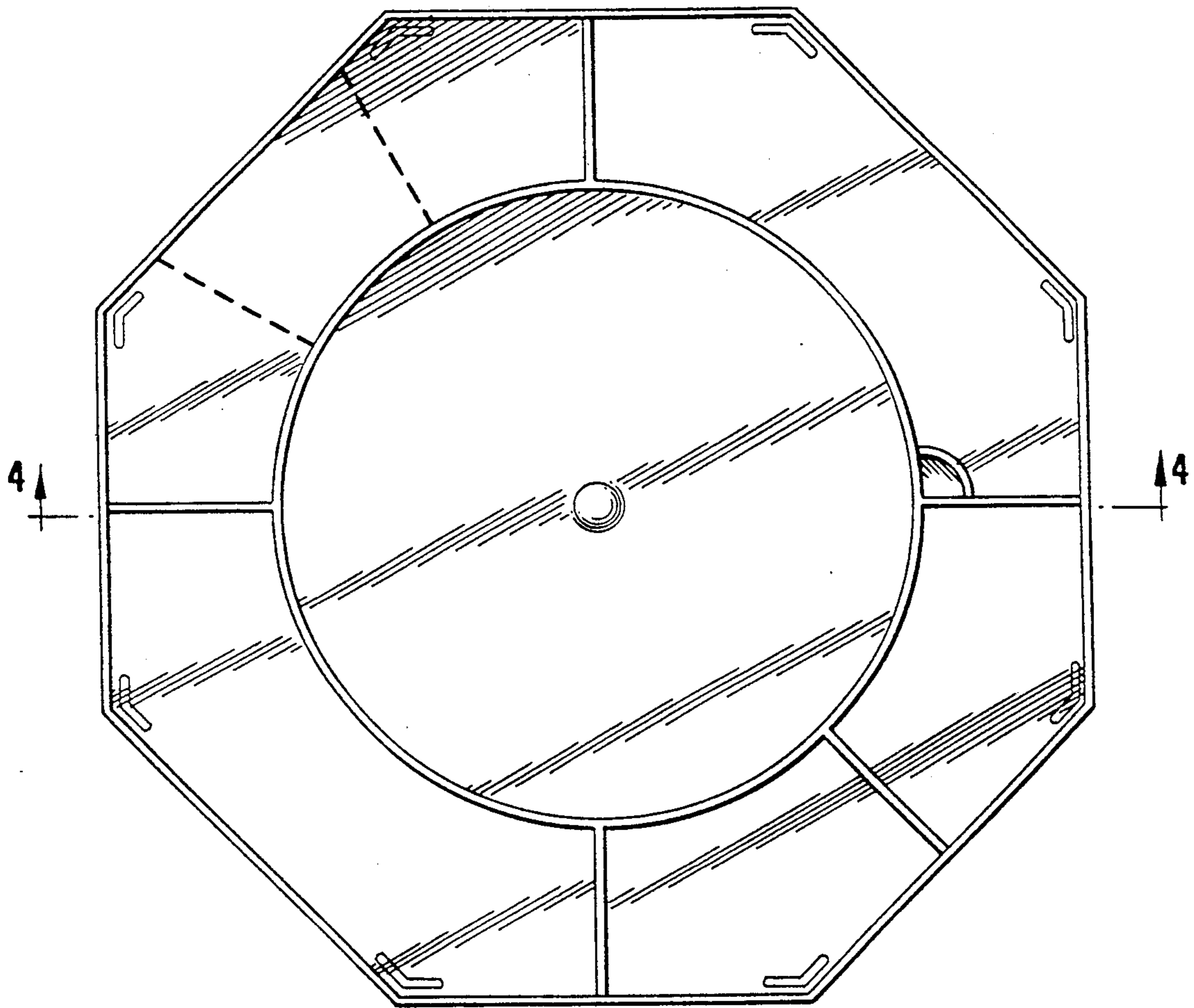


FIG. 2

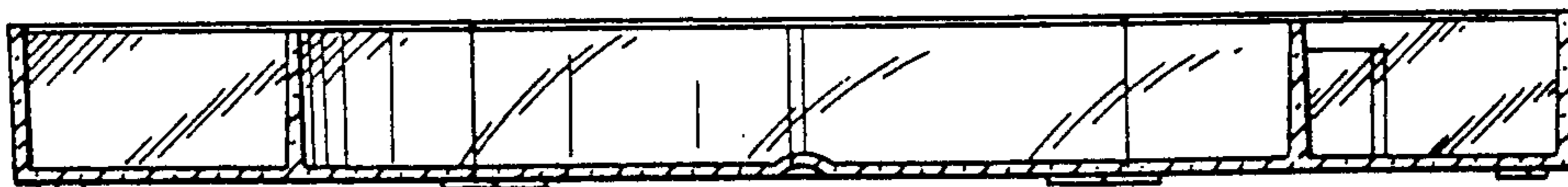




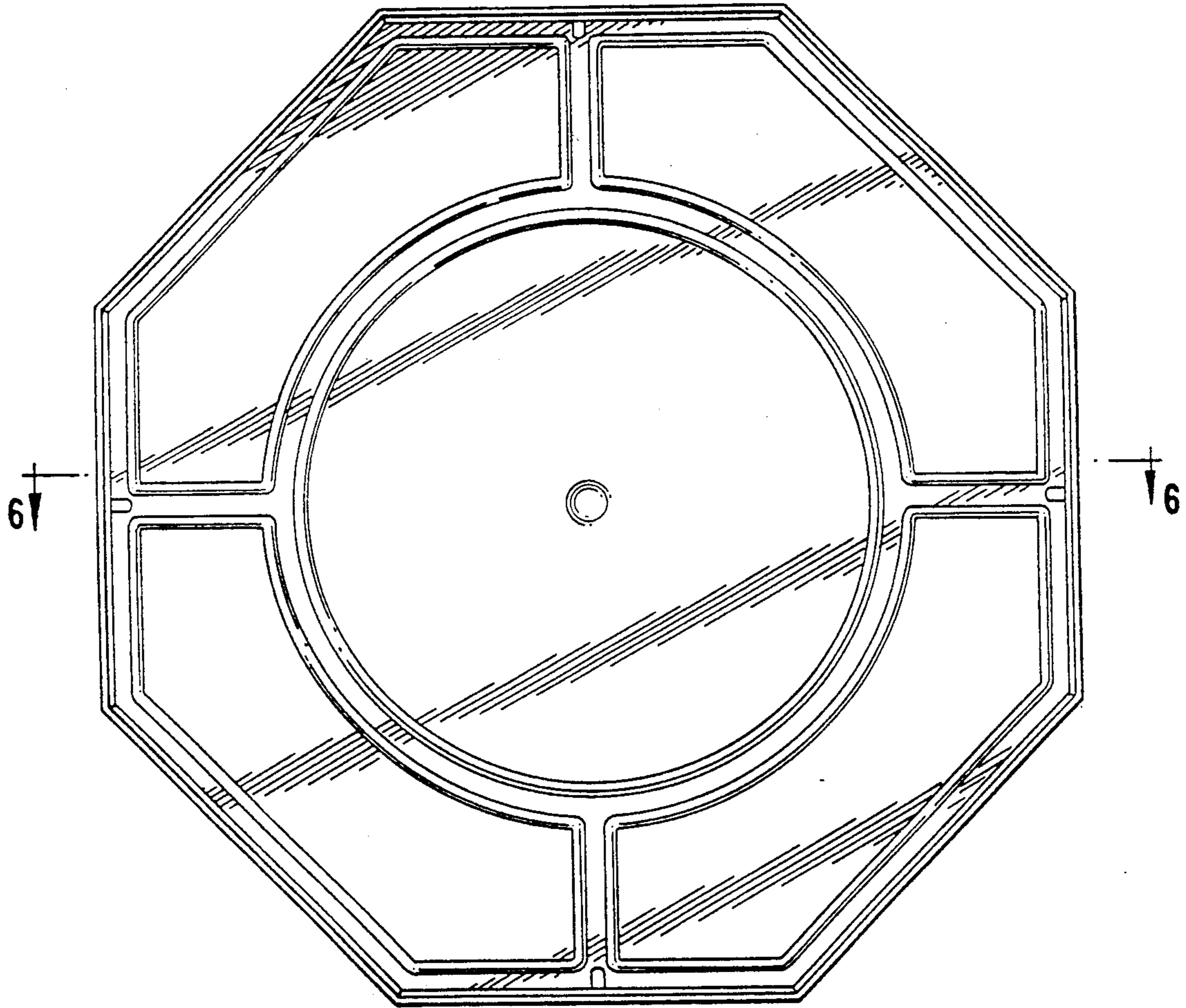
*FIG. 3*



*FIG. 4*



*FIG. 5*



*FIG. 6*

