

[54] AIR SAMPLING FILTER

[75] Inventor: Robert P. Savastano, Manhasset Hills, N.Y.

[73] Assignee: Air Ventilation Observer, Inc., Manhasset Hills, N.Y.

[\*\*] Term: 14 Years

[21] Appl. No.: 206,851

[22] Filed: Jun. 15, 1988

[52] U.S. Cl. .... D23/365

[58] Field of Search ..... D23/365; 55/DIG. 31, 55/518, 273, 279, 284, 307, 357, 422, 481, 483, 484, 506; 73/28.04

3,938,973	2/1976	Kershaw	55/DIG. 31
3,953,182	4/1976	Roth	55/270
4,080,832	3/1978	Moody et al.	73/863.23
4,426,214	1/1984	Vandrish	55/DIG. 31
4,563,333	1/1986	Frigon	55/279
4,749,390	6/1988	Burnett et al.	55/DIG. 31
4,961,916	10/1990	Lesage et al.	73/863.23

Primary Examiner—James M. Gandy  
Assistant Examiner—Lisa Lichtenstein  
Attorney, Agent, or Firm—Jesse Rothstein; William F. Andes, Jr.

[57] CLAIM

The ornamental design for an air sampling filter, as shown.

DESCRIPTION

FIG. 1 is a top front isometric view taken from one side of an air sampling filter showing my new design, with the filter element disposed in its holder;

FIG. 2 is a bottom rear isometric view thereof taken from the other side, with the filter element disposed in its holder;

FIG. 3 is an exploded top front isometric view thereof taken from one side, with the filter element removed from its holder;

FIG. 4 is an exploded bottom rear isometric view thereof taken from the other side, with the filter element removed from its holder.

[56] References Cited

U.S. PATENT DOCUMENTS

1,499,864	7/1924	Gordon	D23/365
2,077,563	4/1937	Henry	55/387
2,409,278	10/1946	Hedges	55/488
2,877,863	3/1959	Lurie	55/518
3,210,229	10/1965	Feine	156/213
3,395,516	8/1968	Schecter et al.	73/28.04
3,693,457	9/1972	Pilat	73/865.6
3,795,135	3/1974	Anderson	73/28
3,877,895	4/1975	Wonderland et al.	55/97
3,905,787	9/1975	Roth	D23/365

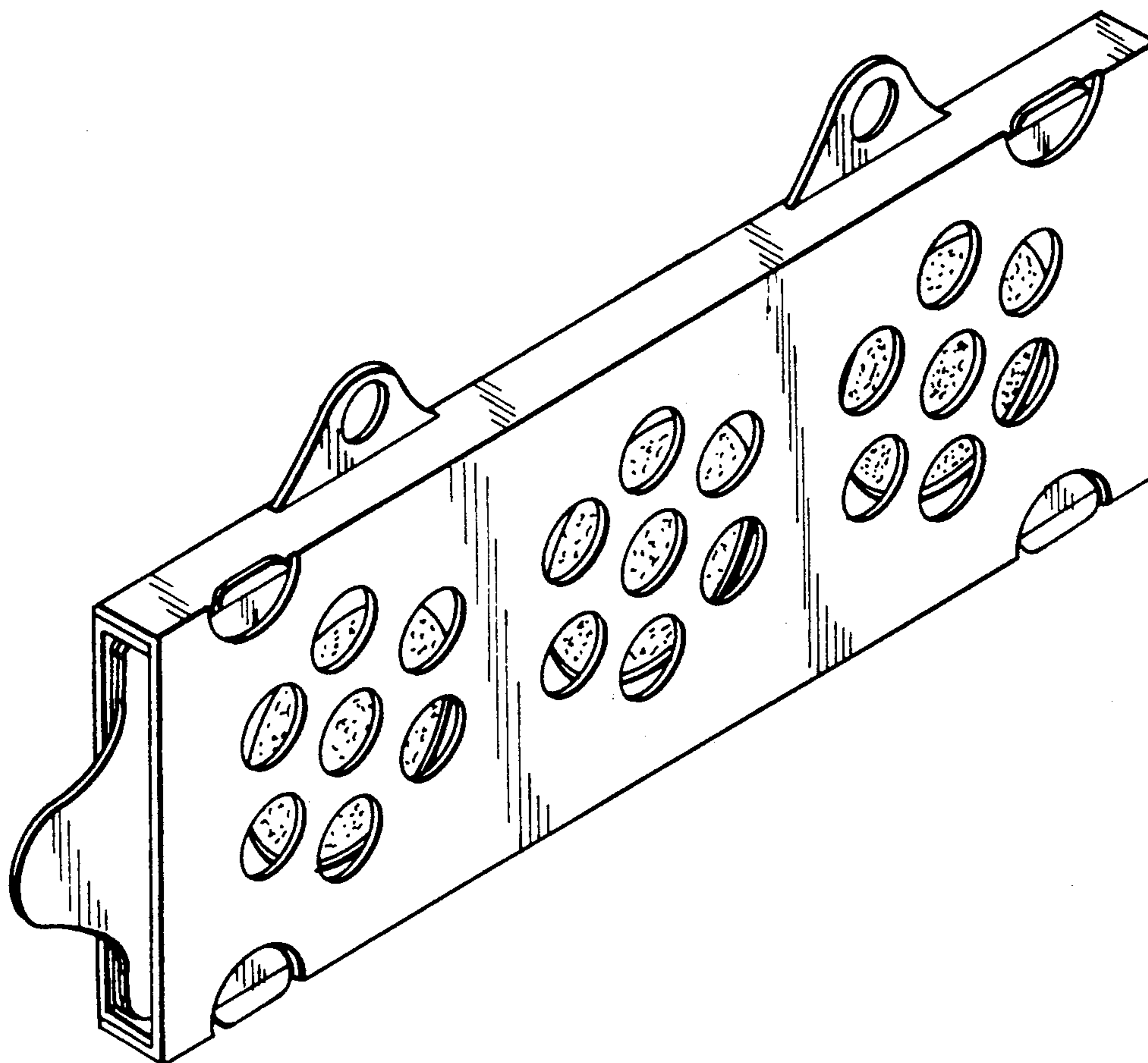


FIG. 1

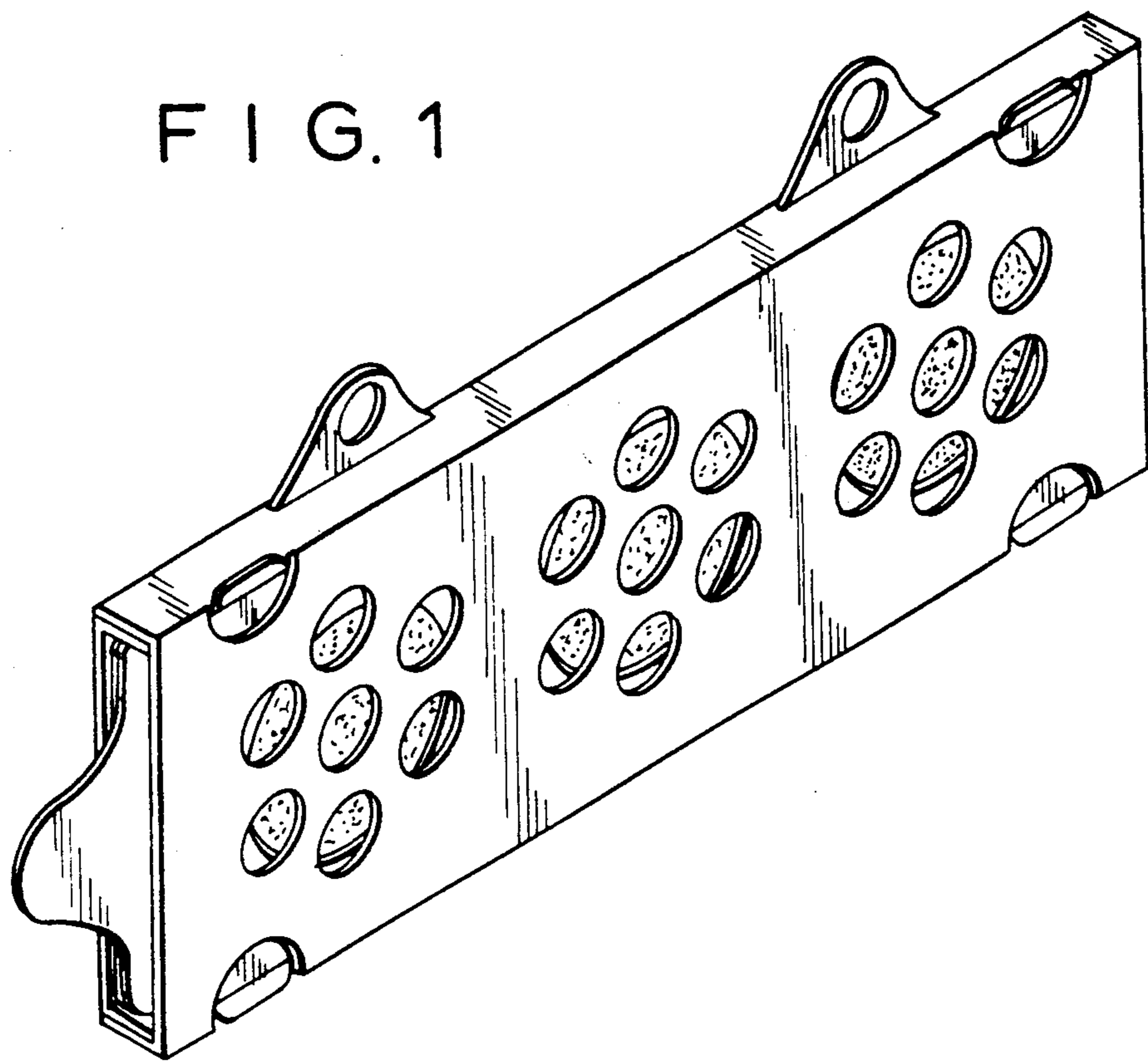
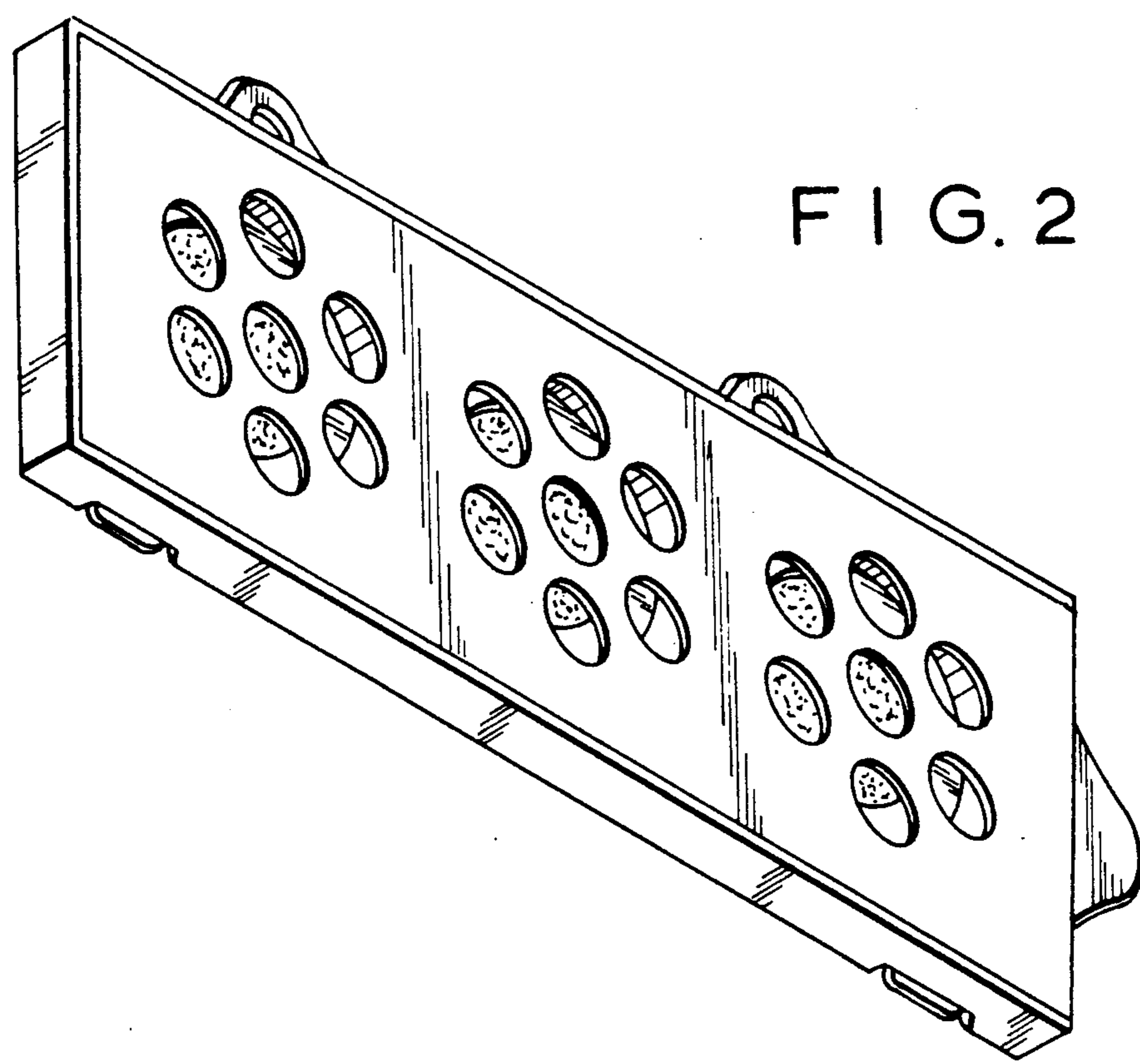


FIG. 2



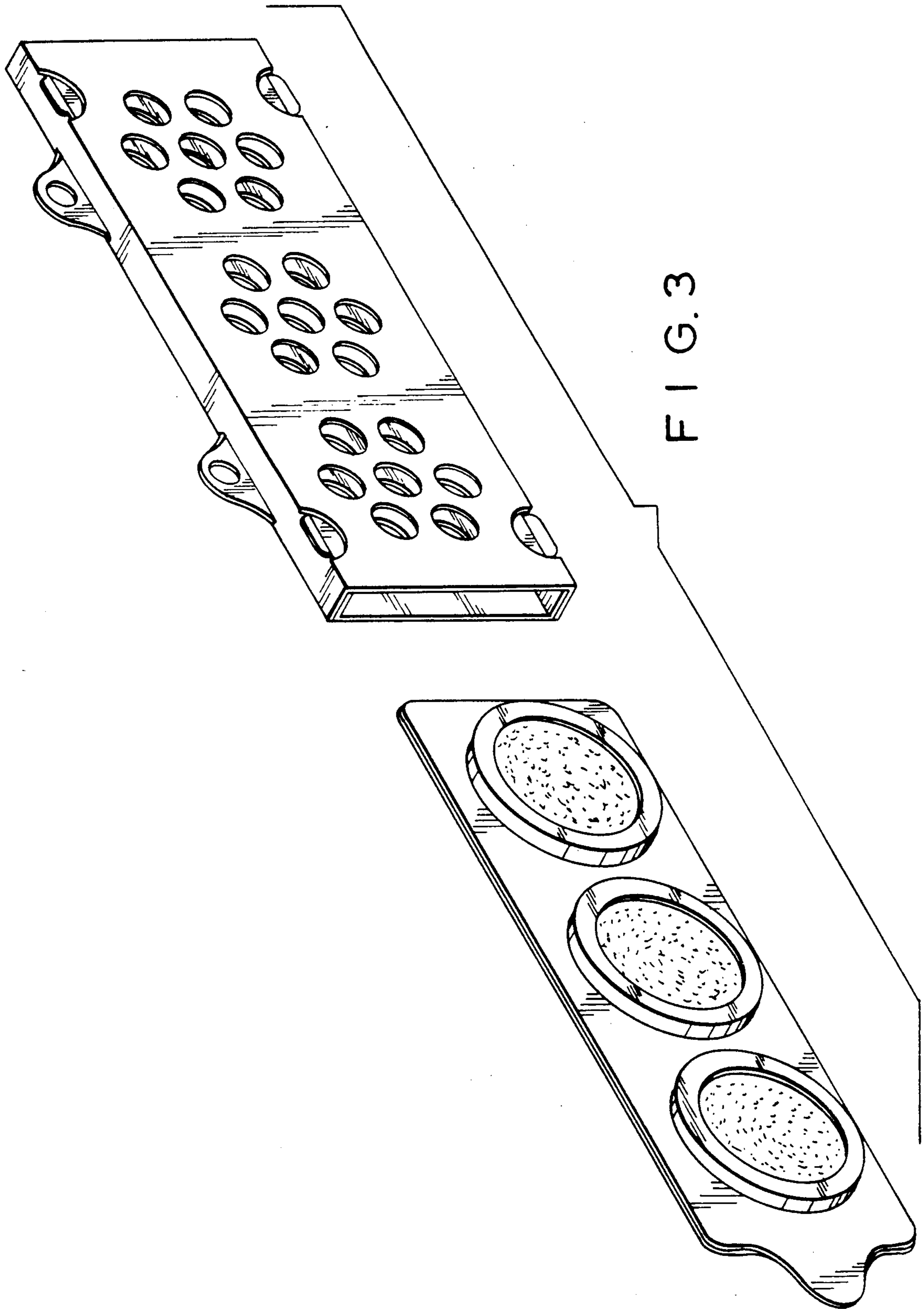


FIG. 3

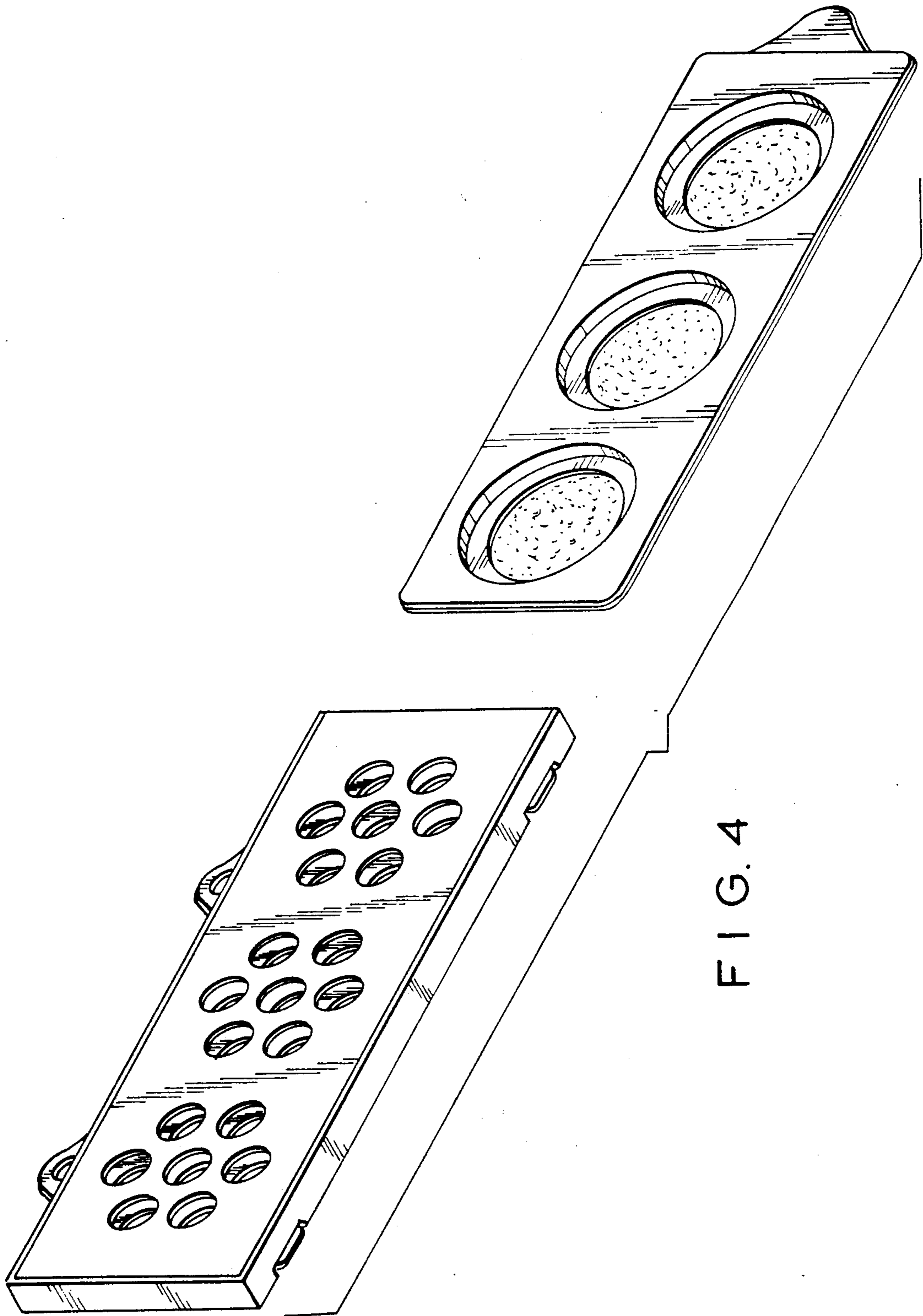


FIG. 4