

[54] **HANDLE**

[75] Inventor: **Gary A. Fleischmann**, Sheboygan, Wis.

[73] Assignee: **Kohler Co.**, Kohler, Wis.

[\*\*] Term: **14 Years**

[21] Appl. No.: **141,347**

[22] Filed: **Jan. 6, 1988**

[52] U.S. Cl. .... **D23/252; D8/308**

[58] Field of Search ..... **D23/238-243, D23/250-254; D8/300. 301, 305, 307, 308, 309, 310, 311, 312**

[56] **References Cited**

**U.S. PATENT DOCUMENTS**

D. 101,442	10/1936	Dreyfuss	.....	D23/252
D. 115,811	7/1939	Reinecke	.....	D23/241
D. 171,571	3/1954	Baker, Jr.	.....	D23/241

**OTHER PUBLICATIONS**

Domestic Engineering, Feb. 1957, p. 43, top left handles.

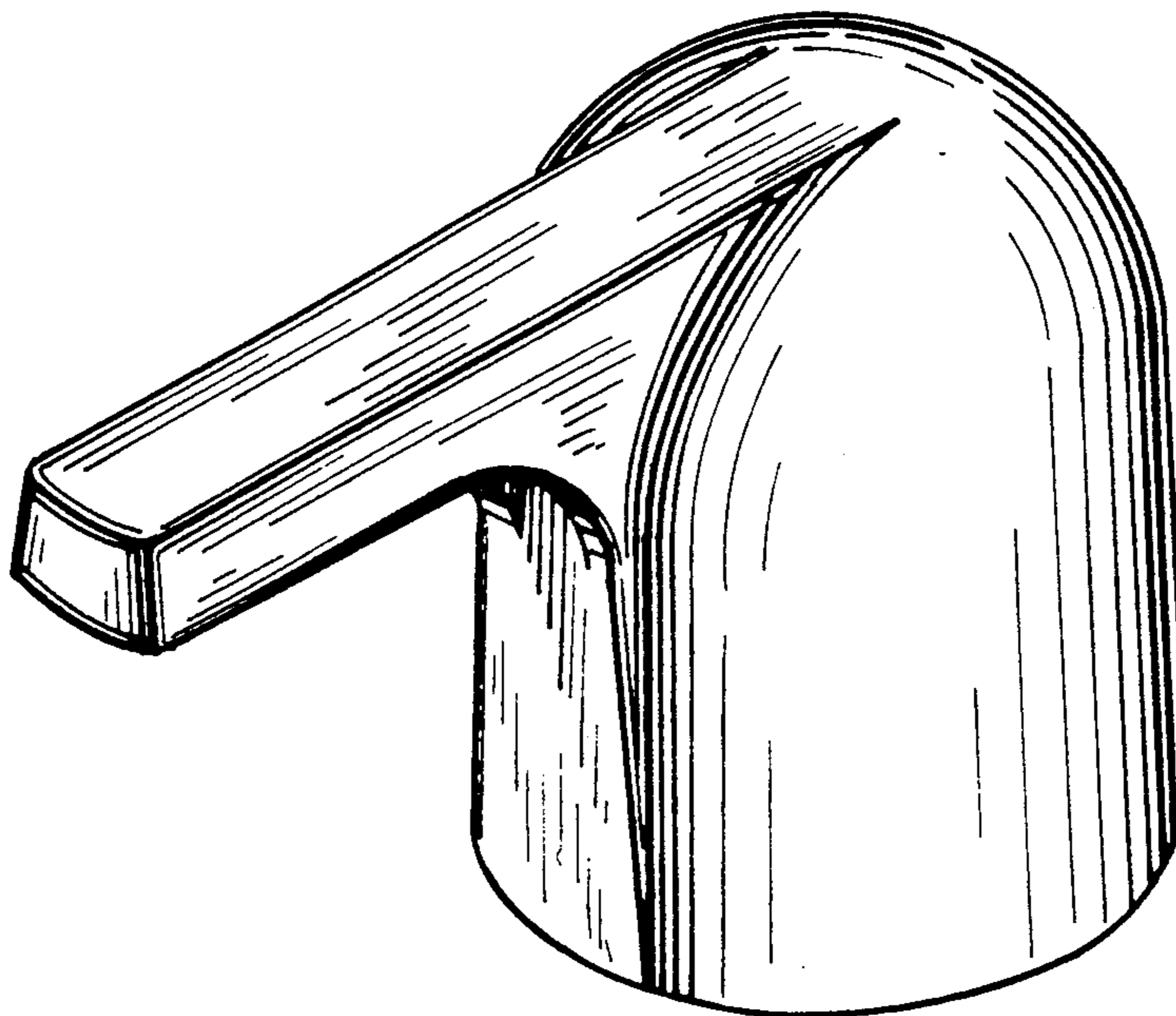
*Primary Examiner*—James R. Largen  
*Attorney, Agent, or Firm*—Quarles & Brady

[57] **CLAIM**

The ornamental design for a handle, as shown and described.

**DESCRIPTION**

FIG. 1 is a top perspective view of a handle showing my new design;  
FIG. 2 is a top plan view thereof;  
FIG. 3 is a front elevational view thereof, the rear being a mirror image of the front shown;  
FIG. 4 is a right side elevational view thereof;  
FIG. 5 is a left side elevational view thereof;  
FIG. 6 is a bottom plan view thereof; and  
FIG. 7 is a top perspective view of a modified form of the handle shown in FIG. 1.



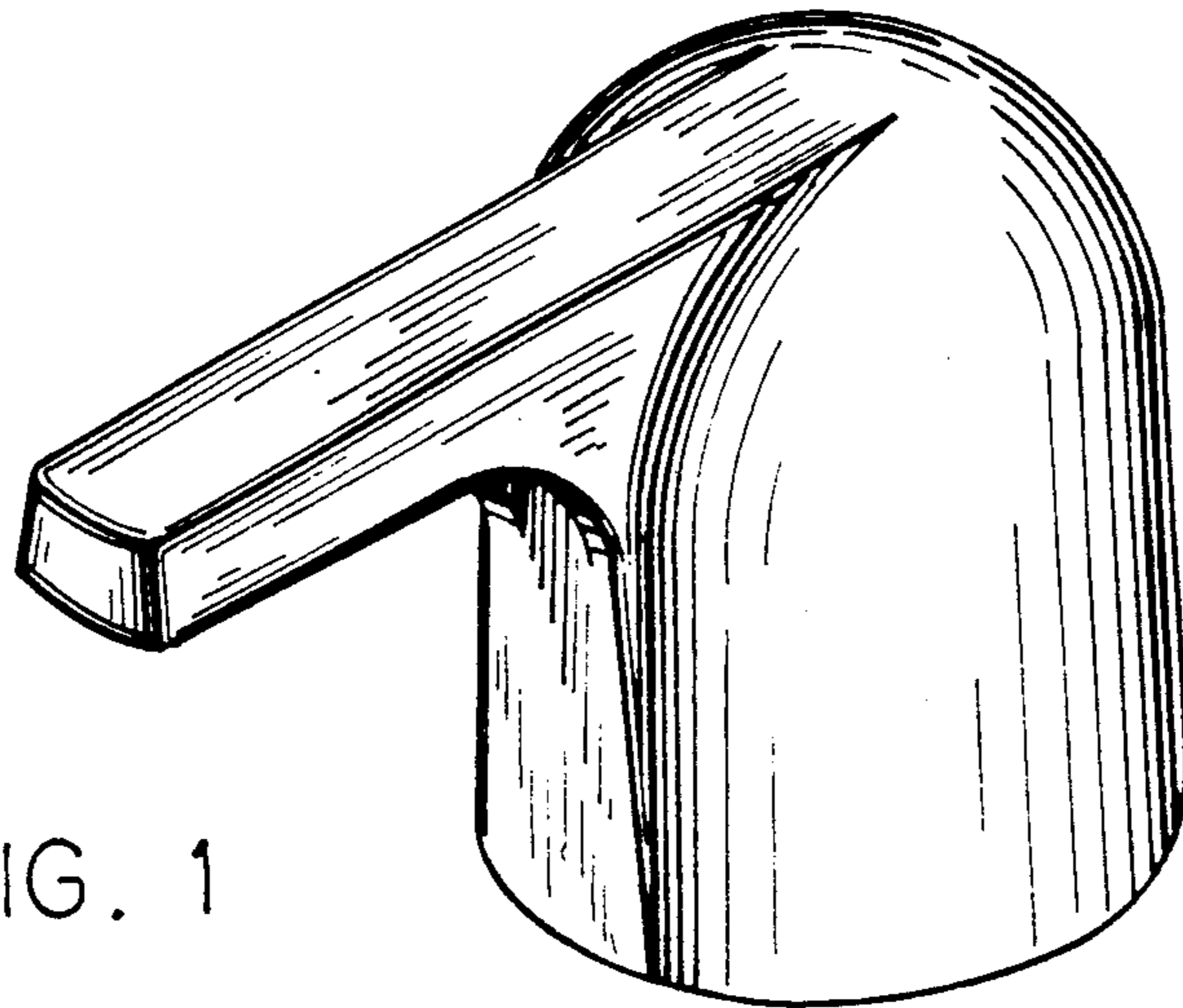


FIG. 1

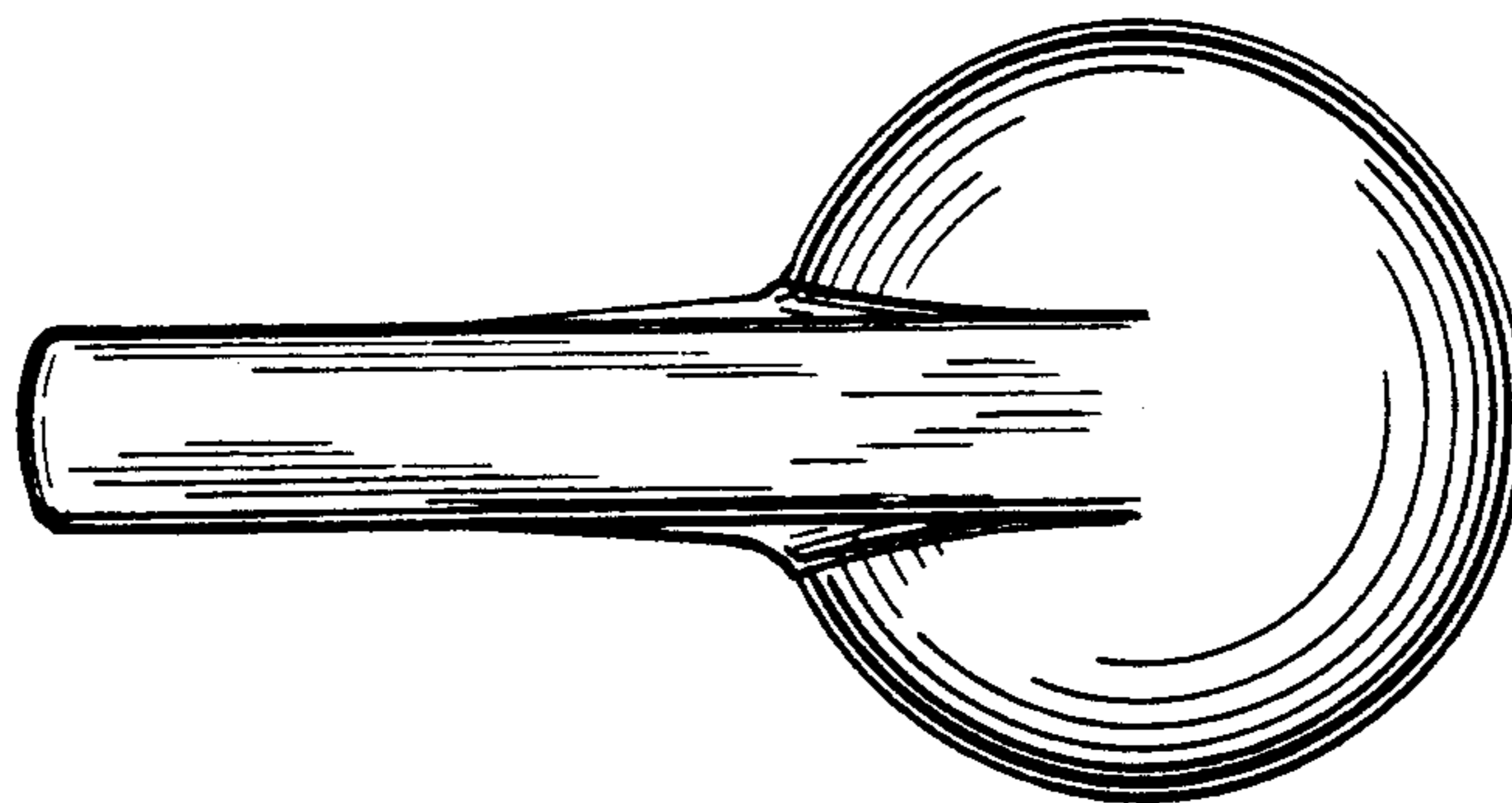


FIG. 2

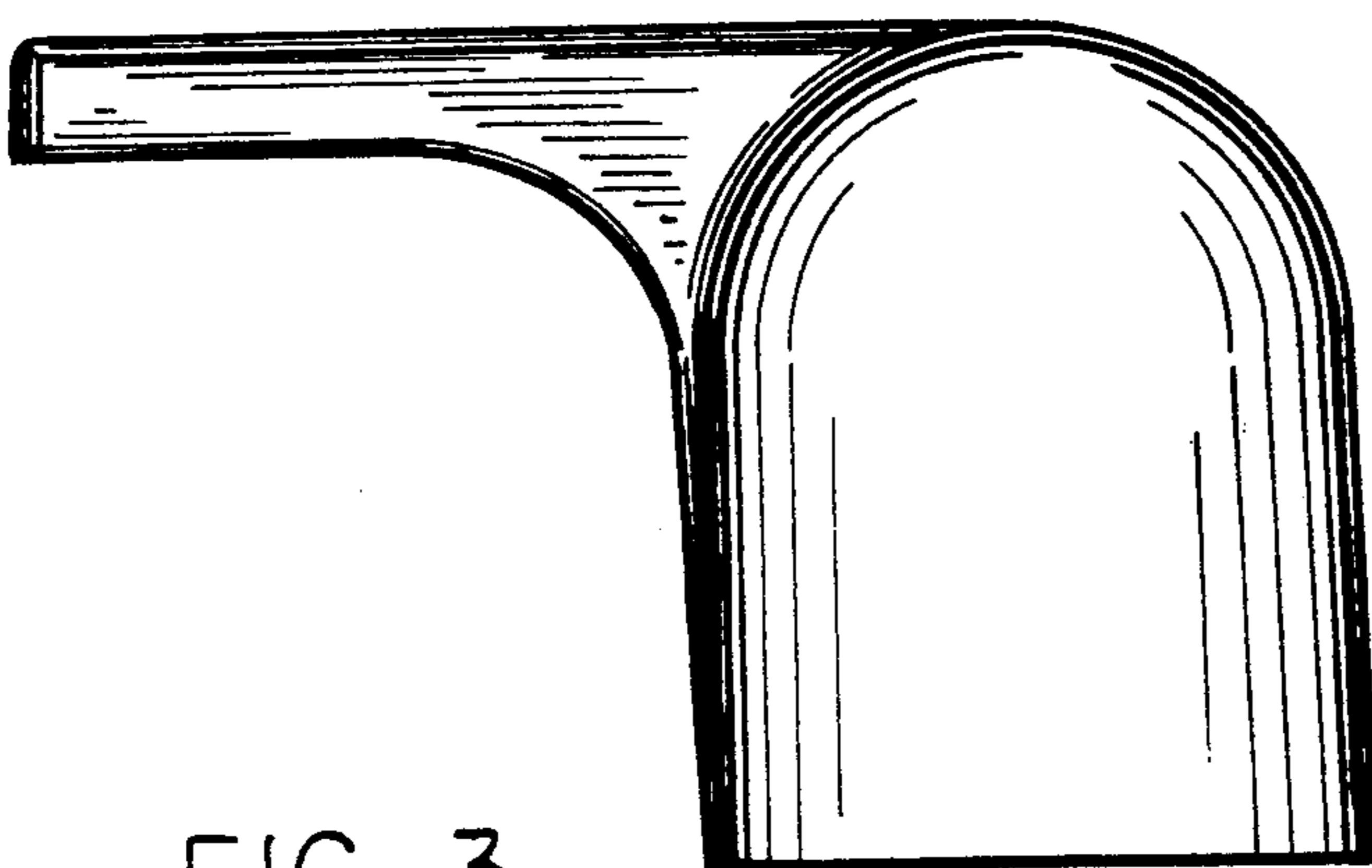


FIG. 3

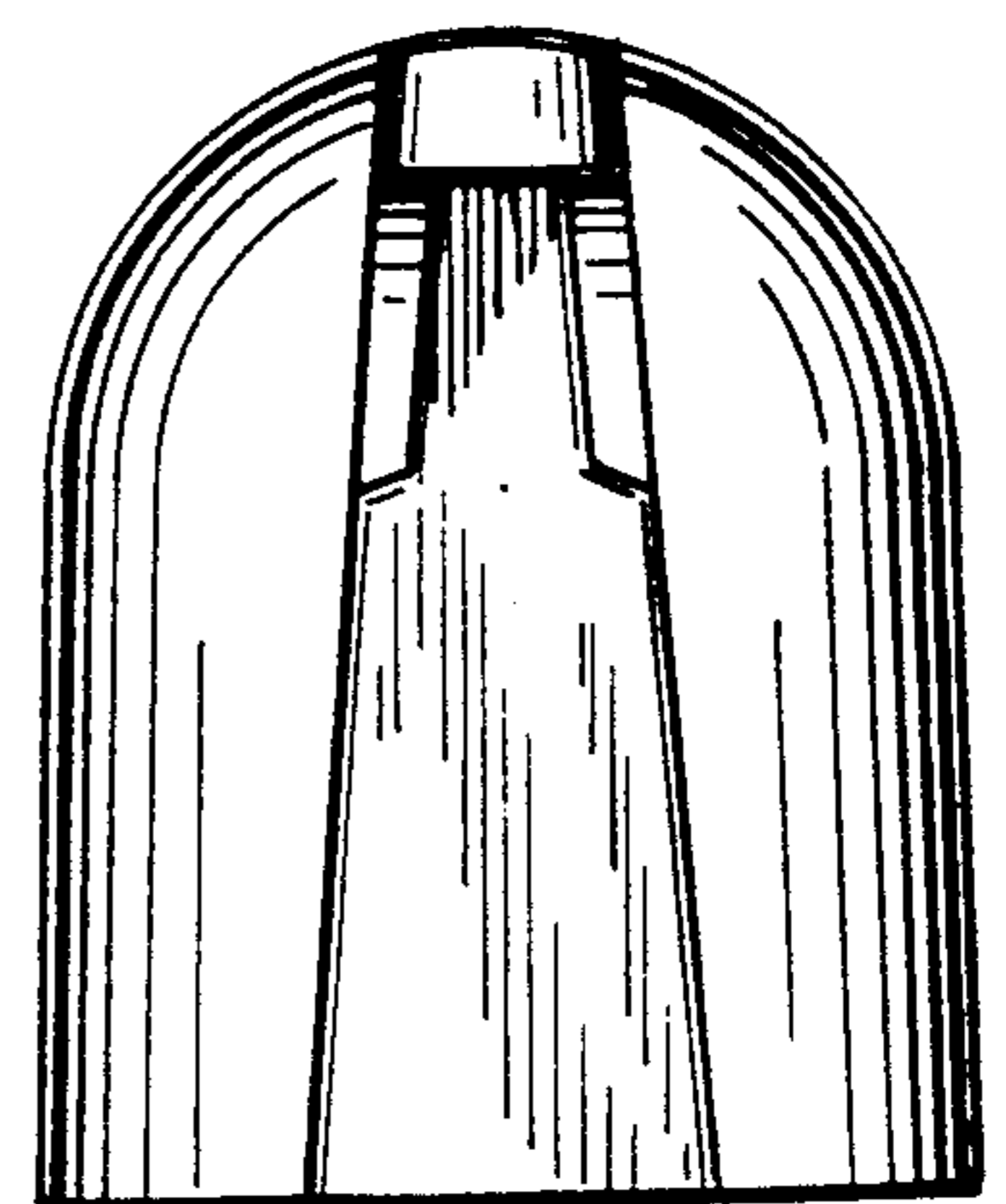


FIG. 4

FIG. 5

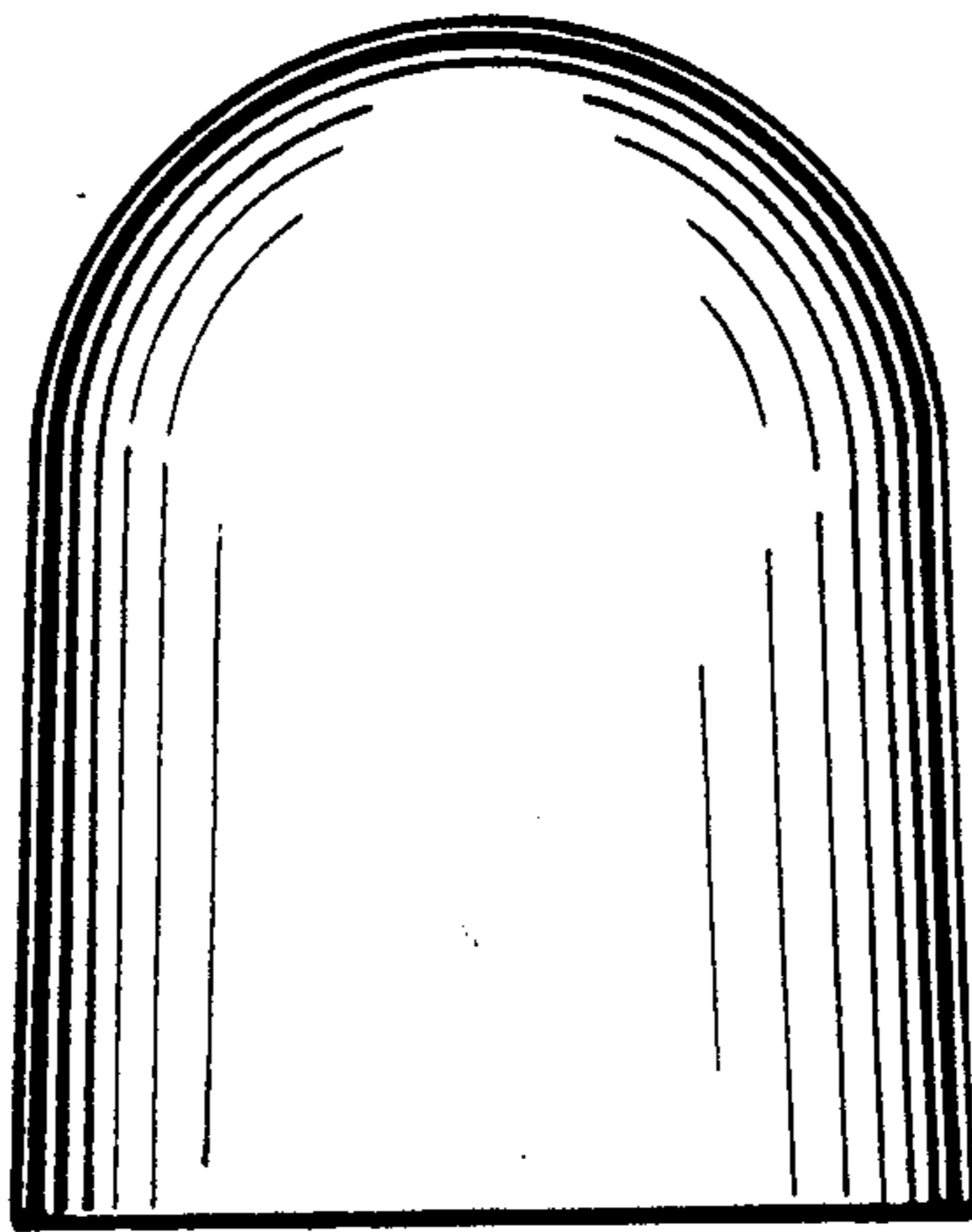


FIG. 6

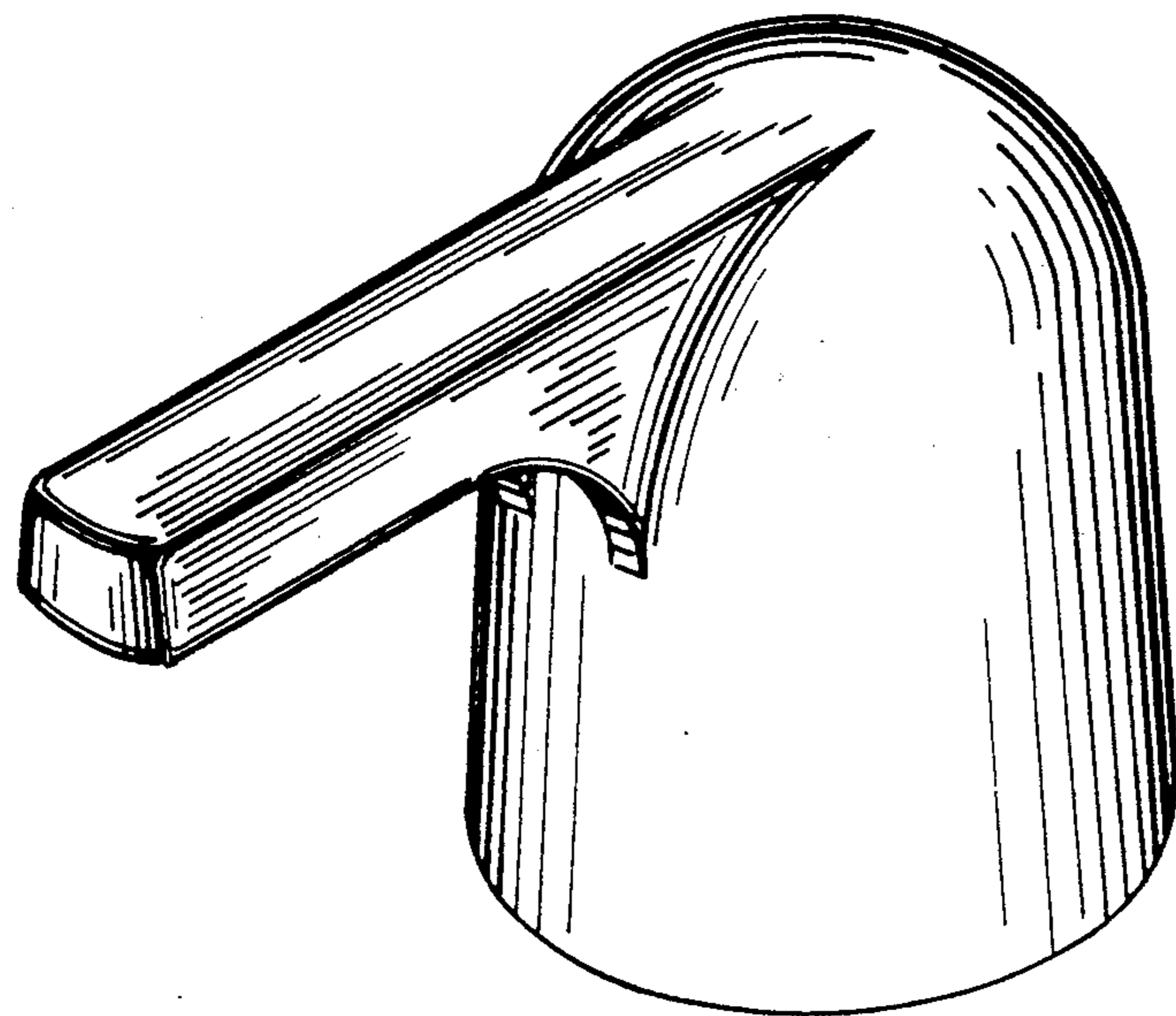
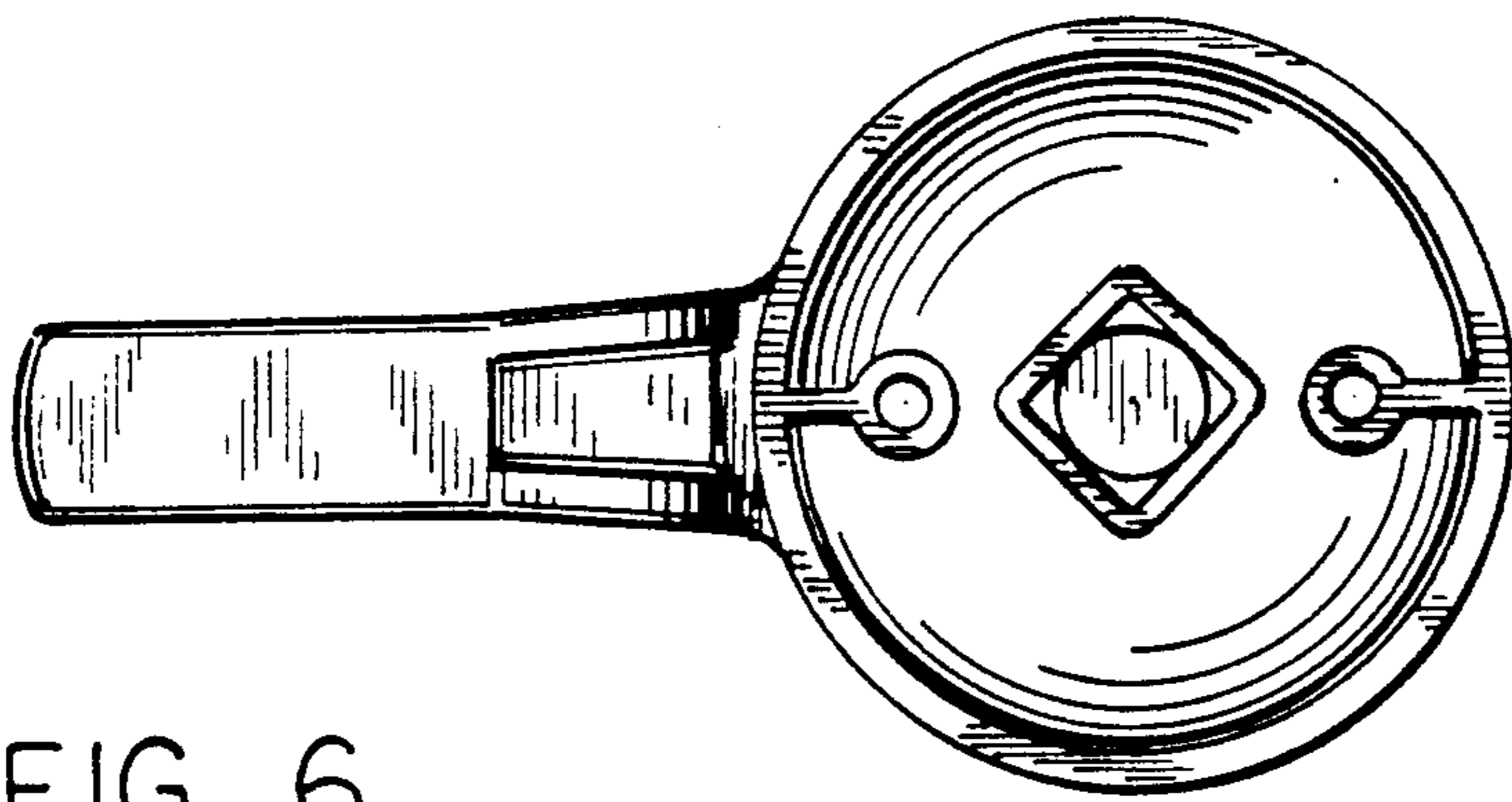


FIG. 7