

[54] SPRINKLER

4,625,914 12/1986 Sexton et al. 239/206

[75] Inventor: Franco Clivio, Zürich, Switzerland

Primary Examiner—Susan J. Lucas

Assistant Examiner—M. H. Tung

[73] Assignee: Gardena Kress + Kastner GmbH,
Fed. Rep. of Germany

Attorney, Agent, or Firm—Eckert Seamans Cherin &
Mellott

[**] Term: 14 Years

[57] CLAIM

[21] Appl. No.: 390,670

The ornamental design for a sprinkler, as shown and
described.

[22] Filed: Aug. 7, 1989

[52] U.S. Cl. D23/218

DESCRIPTION

[58] Field of Search D23/200, 211, 213-221;
239/200-207, 211, 242-243, 246-248, 273,
275-276, 279-280, 390-394, 443-444, 456,
556-558, DIG. 1

FIG. 1 is a side perspective view of a sprinkler showing
my new design;
FIG. 2 is a top plan view thereof;
FIG. 3 is a side elevational view thereof;
FIG. 4 is a front elevational view thereof;
FIG. 5 is the opposite side elevational view thereof;
FIG. 6 is a rear elevational view thereof.
FIG. 7 is a bottom plan view thereof; and
FIG. 8 is a side perspective view thereof, the top shown
in extended position.

[56] References Cited

U.S. PATENT DOCUMENTS

2,050,659	8/1936	Knuth	238/204
2,968,440	1/1961	Cone	239/203
4,562,962	1/1986	Hartman	239/200

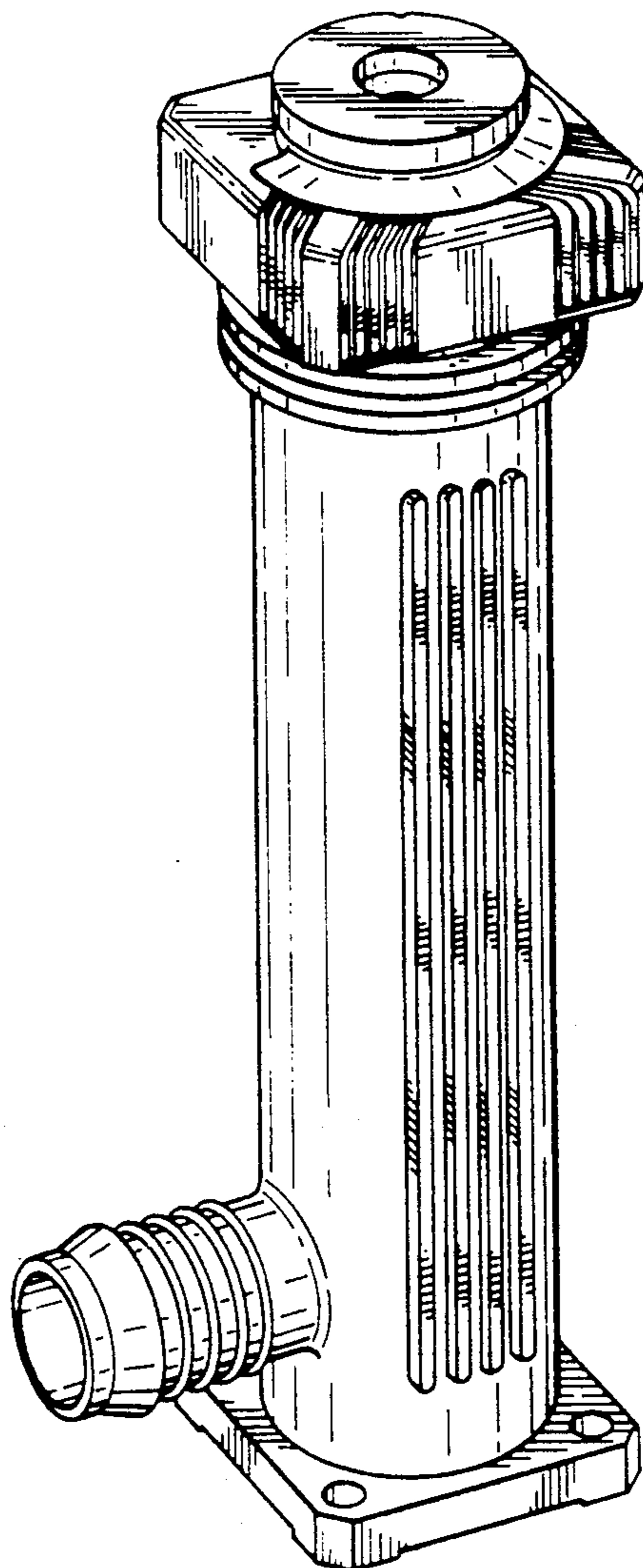
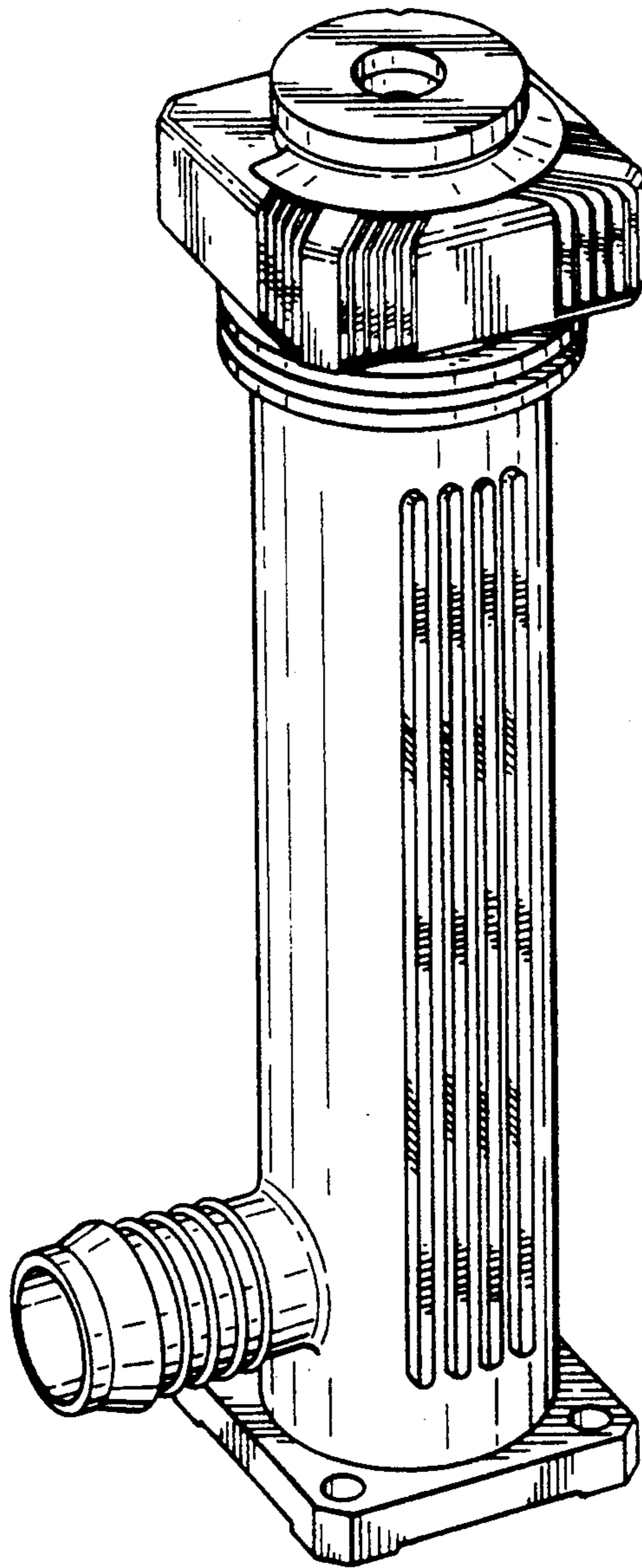


FIG. 1



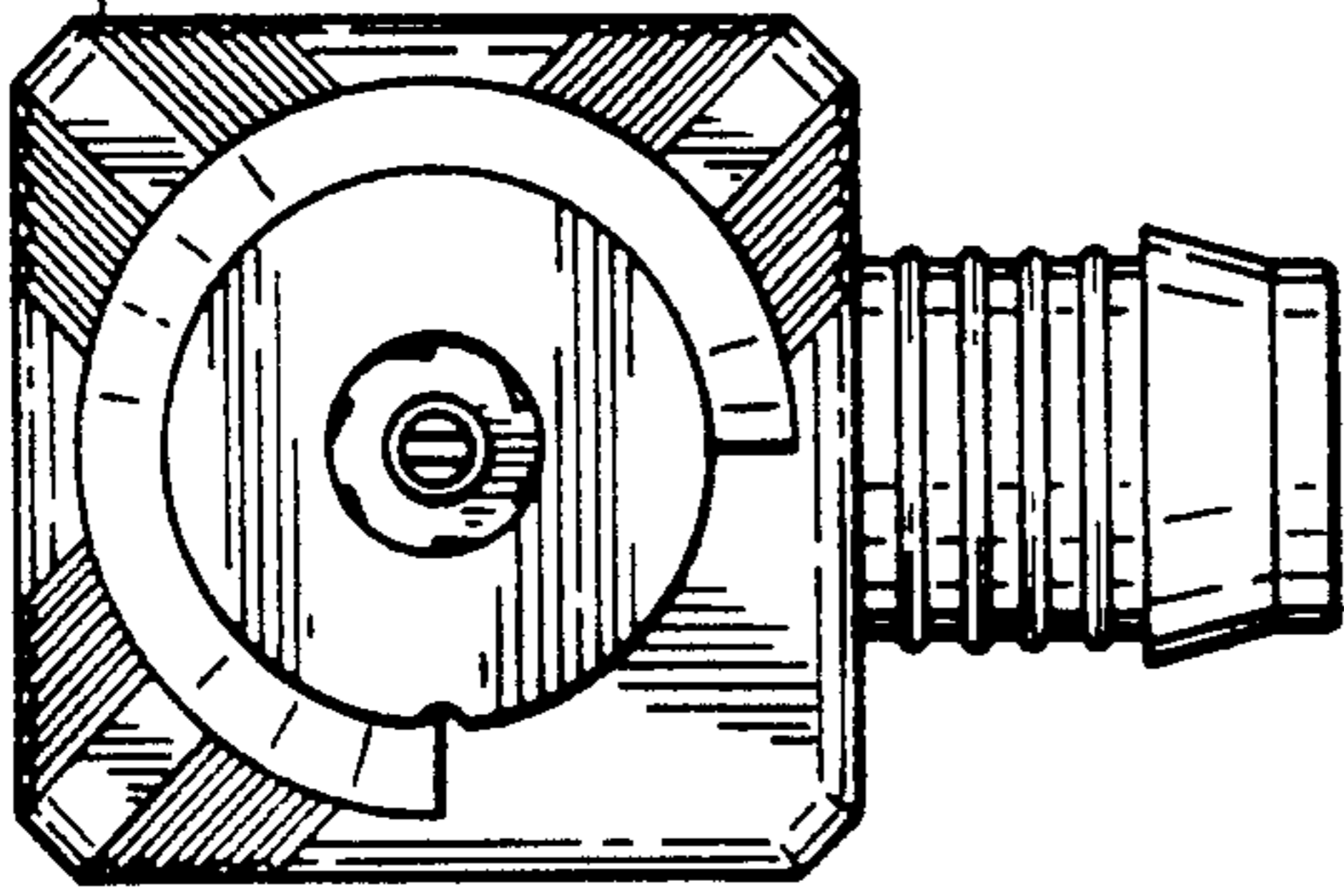


FIG. 2

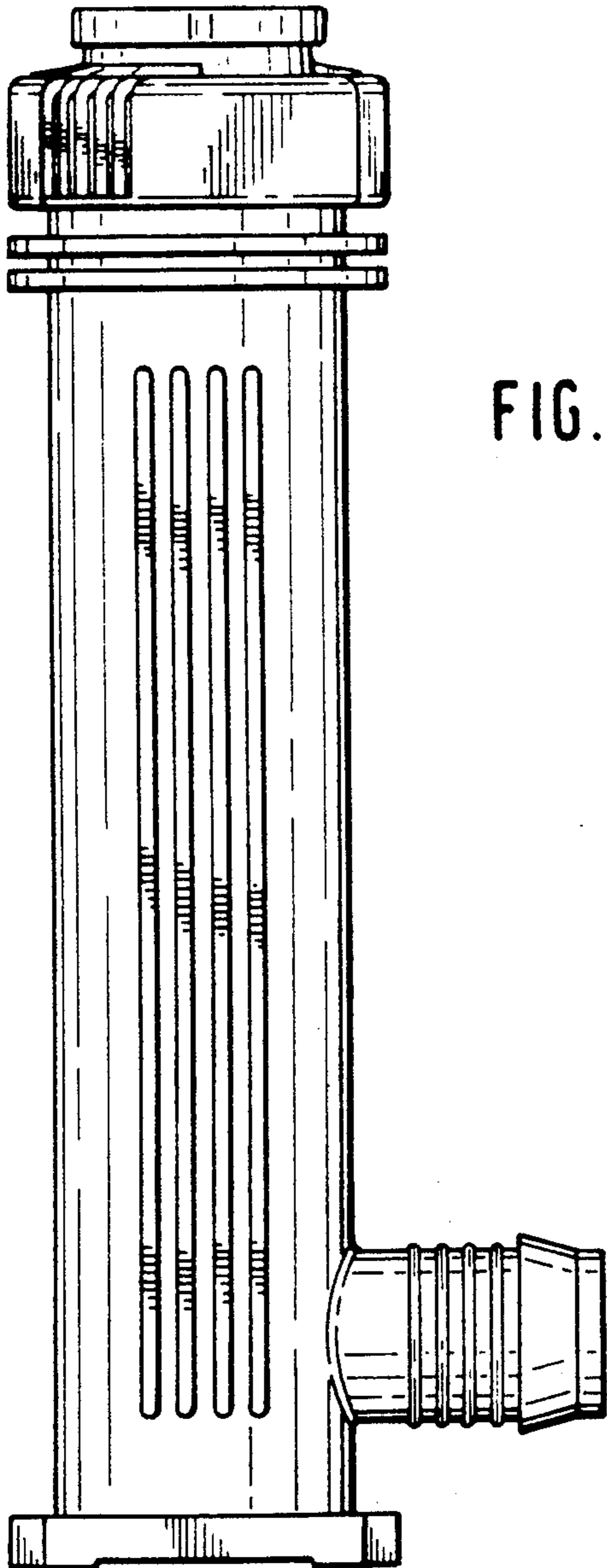


FIG. 3

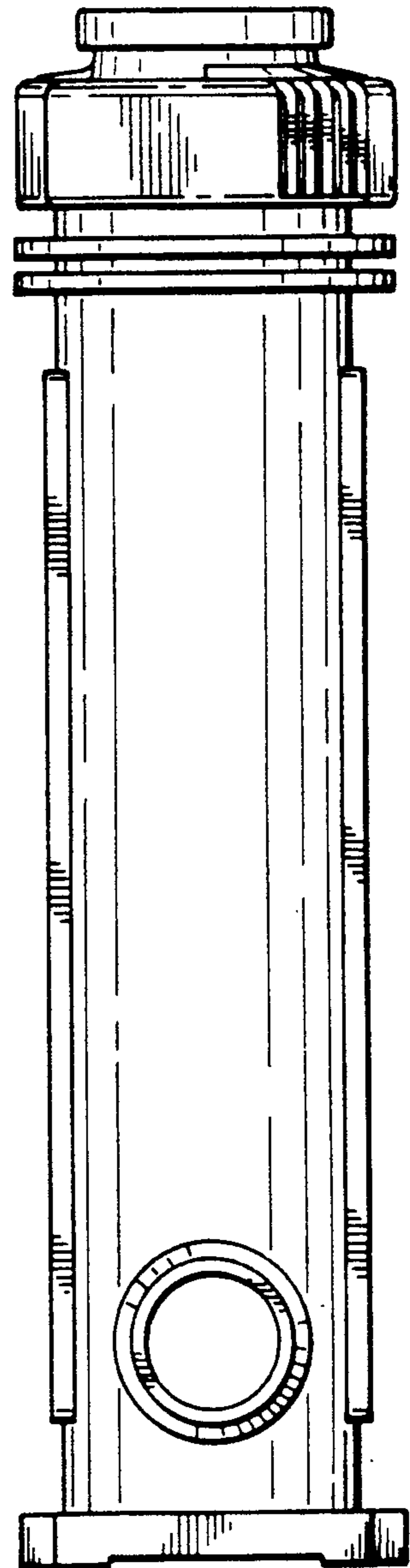


FIG. 4

FIG. 5

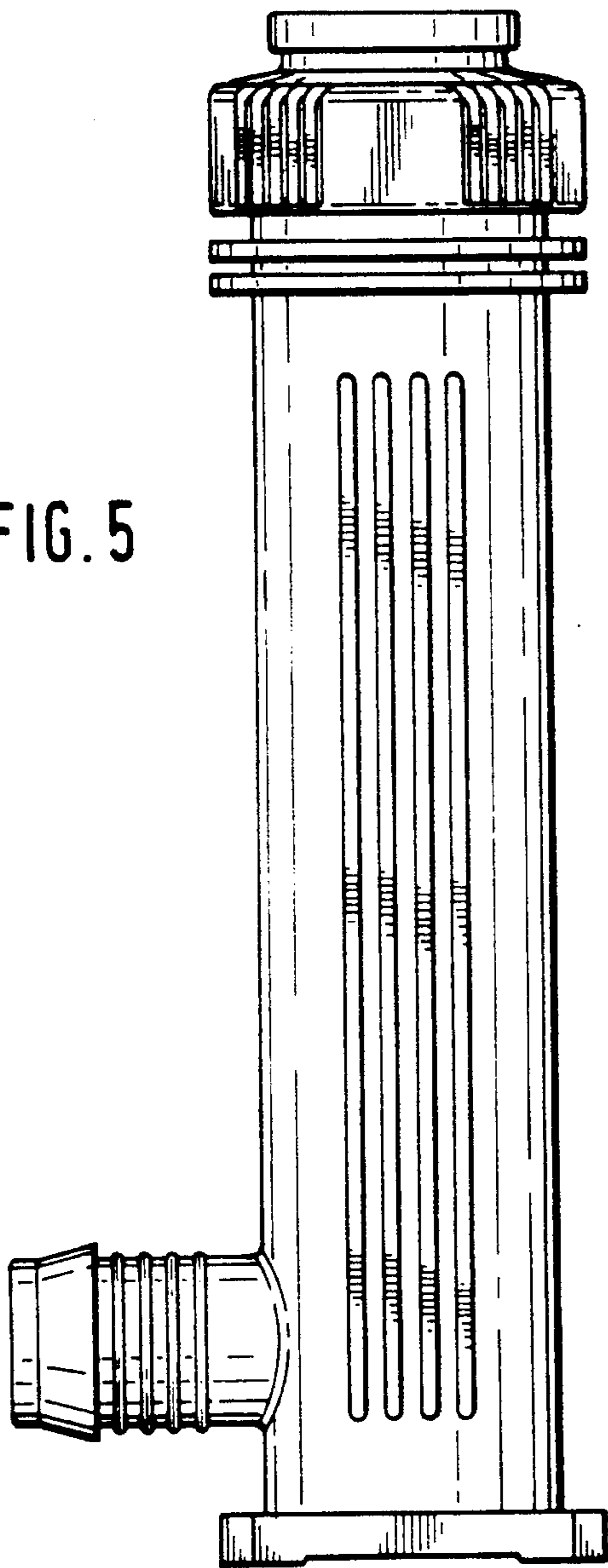


FIG. 6

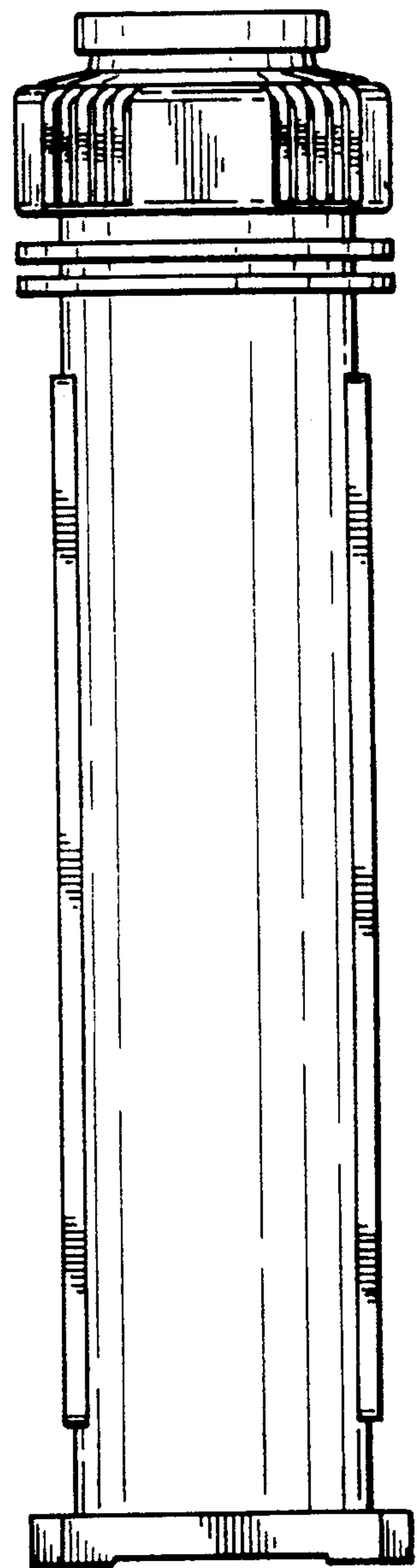


FIG. 7

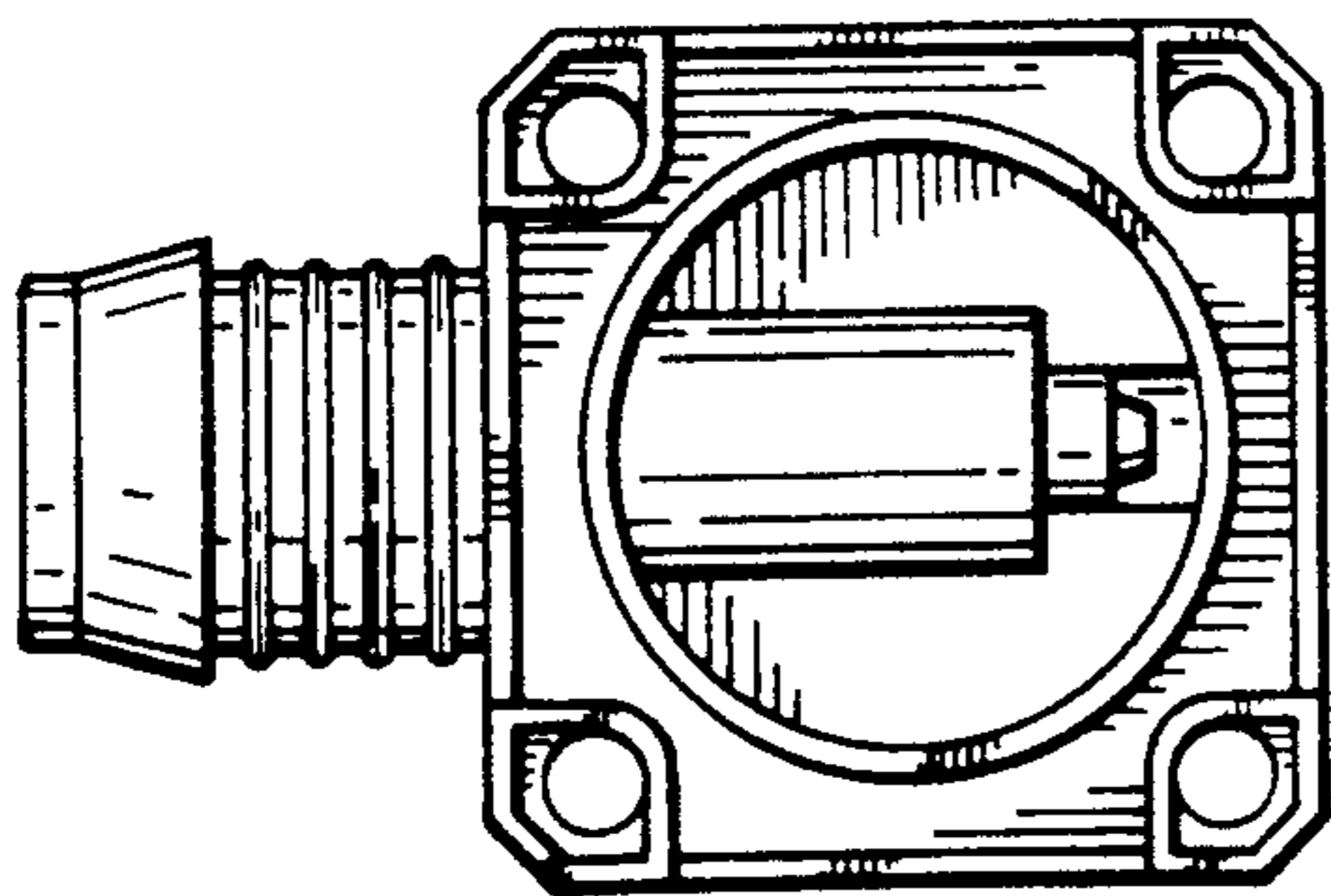


FIG. 8

