

[54] SPRINKLER

[75] Inventor: Franco Clivio, Zürich, Switzerland

[73] Assignee: Gardena Kress + Kastner GmbH,  
Fed. Rep. of Germany

[\*\*] Term: 14 Years

[21] Appl. No.: 390,673

[22] Filed: Aug. 7, 1989

[52] U.S. Cl. .... D23/214

[58] Field of Search ..... D23/200, 211, 213-221;  
239/200-207, 211, 242-243, 246-248, 273,  
275-276, 279-280, 390-394, 443-444, 456,  
556-558. DIG. 1

[56] References Cited

U.S. PATENT DOCUMENTS

2,050,659	8/1936	Knuth	.....	239/204
2,968,440	1/1961	Cone	.....	239/203
4,562,962	1/1986	Hartman	.....	239/200
4,625,914	12/1986	Sexton et al.	.....	239/206

OTHER PUBLICATIONS

Hardee Irrigation; Bubblers Modello 610 Hood Bubbler  
(codice SHW 407)-1 pg.

Rainbird-Spray Sprinklers/15 (1 pg.).

Rainbird-Spray Sprinkler/16 (1 pg.).

Gardena-Sprinkler System (1 pg.).

Primary Examiner—Susan J. Lucas

Assistant Examiner—M. H. Tung

Attorney, Agent, or Firm—Eckert Seamans Cherin &  
Mellott

[57] CLAIM

The ornamental design for a sprinkler, as shown and  
described.

DESCRIPTION

FIG. 1 is a side perspective view of a sprinkler showing  
my new design;

FIG. 2 is a side elevational view thereof;

FIG. 3 is a front elevational view thereof;

FIG. 4 is a top plan view thereof;

FIG. 5 is the opposite side elevational view thereof;

FIG. 6 is a rear elevational view thereof;

FIG. 7 is a bottom plan view thereof.

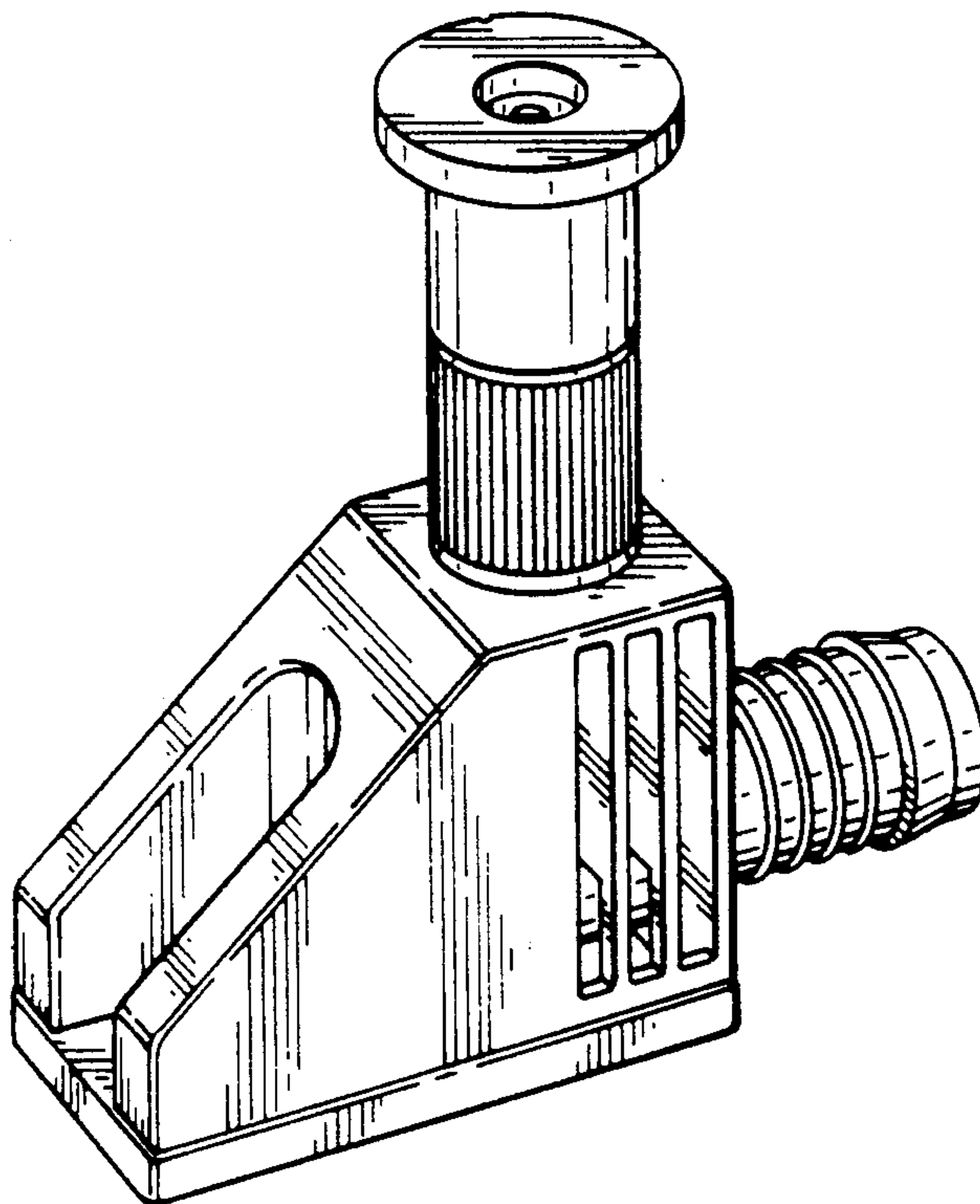


FIG. 1

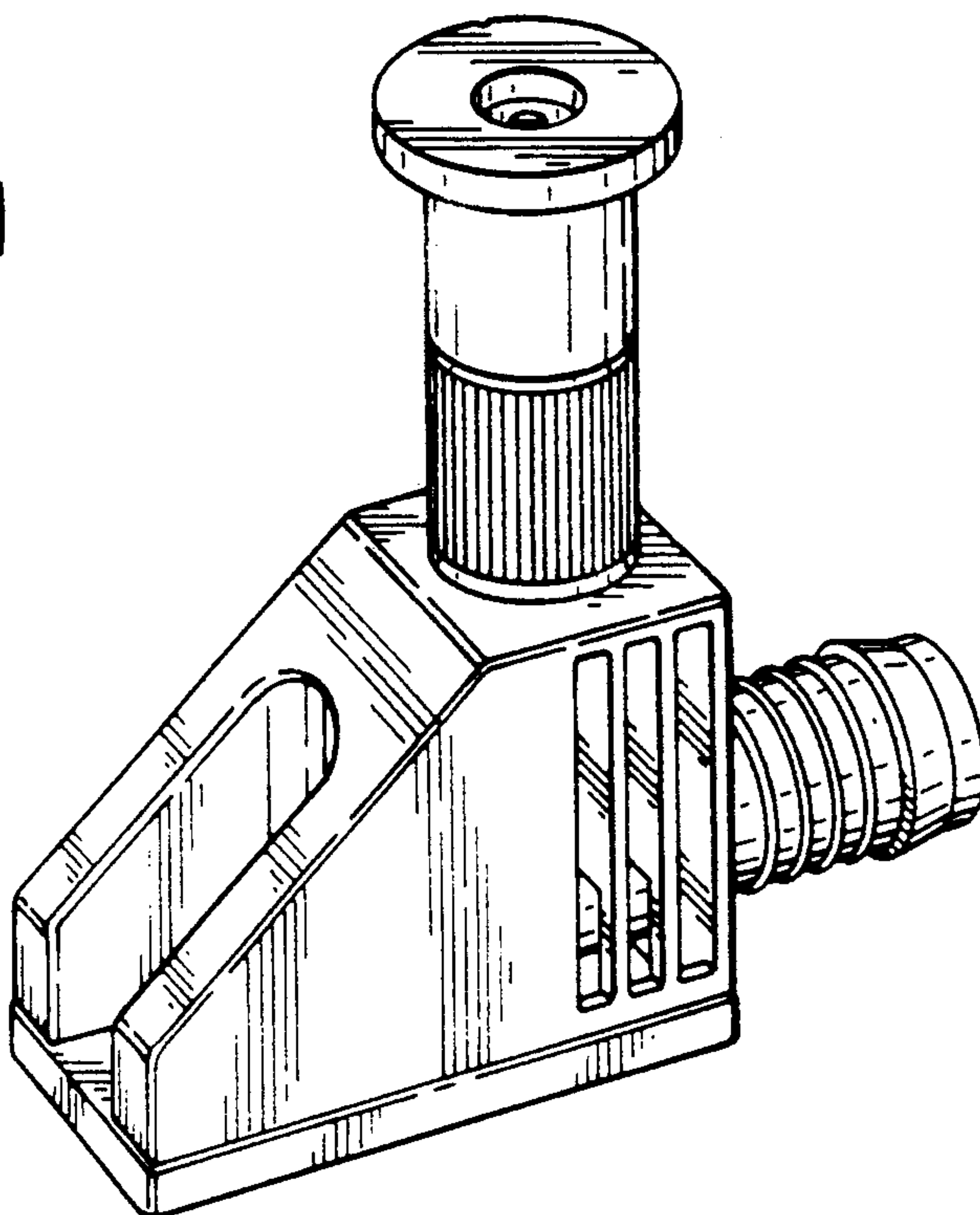


FIG. 2

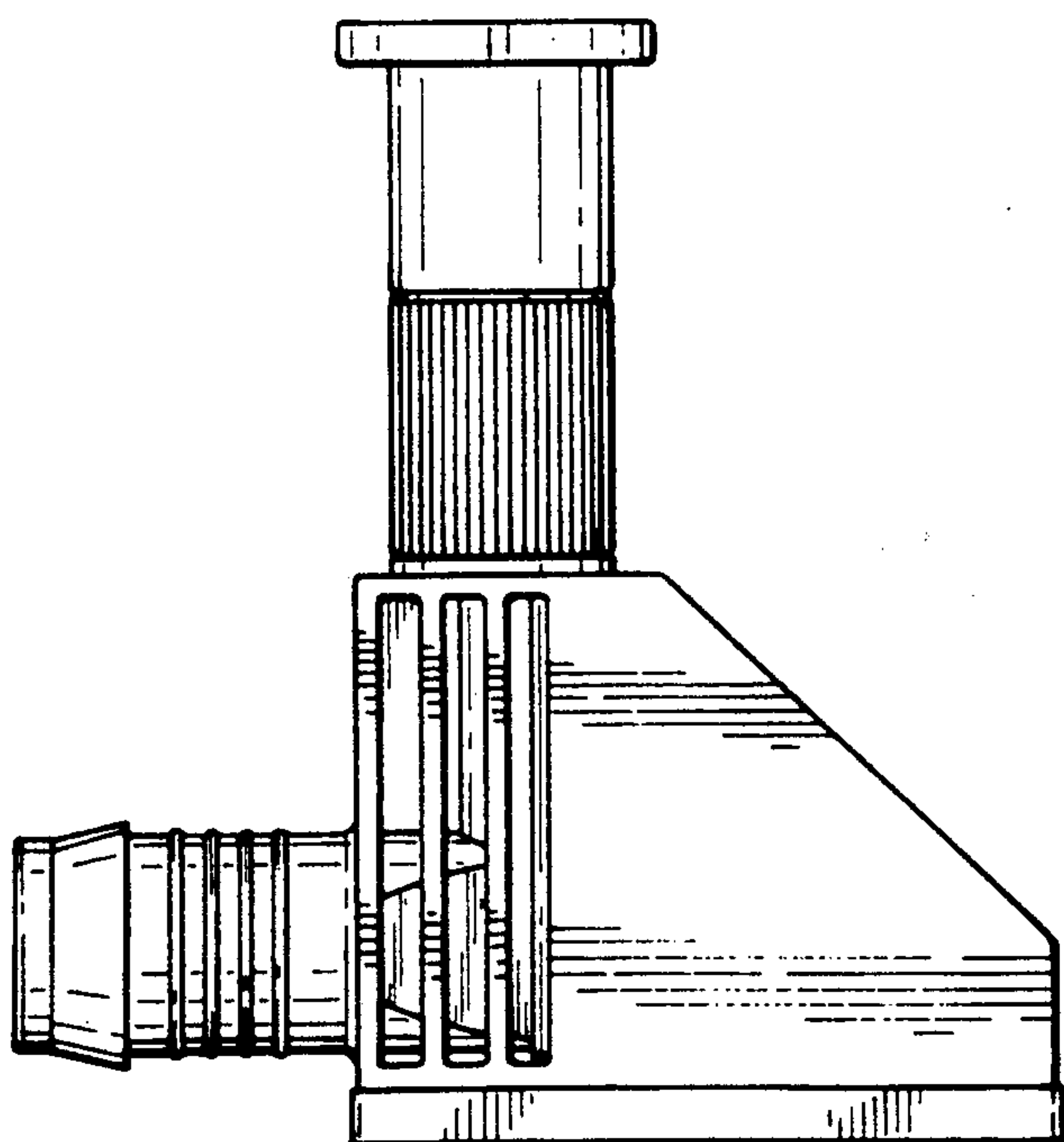
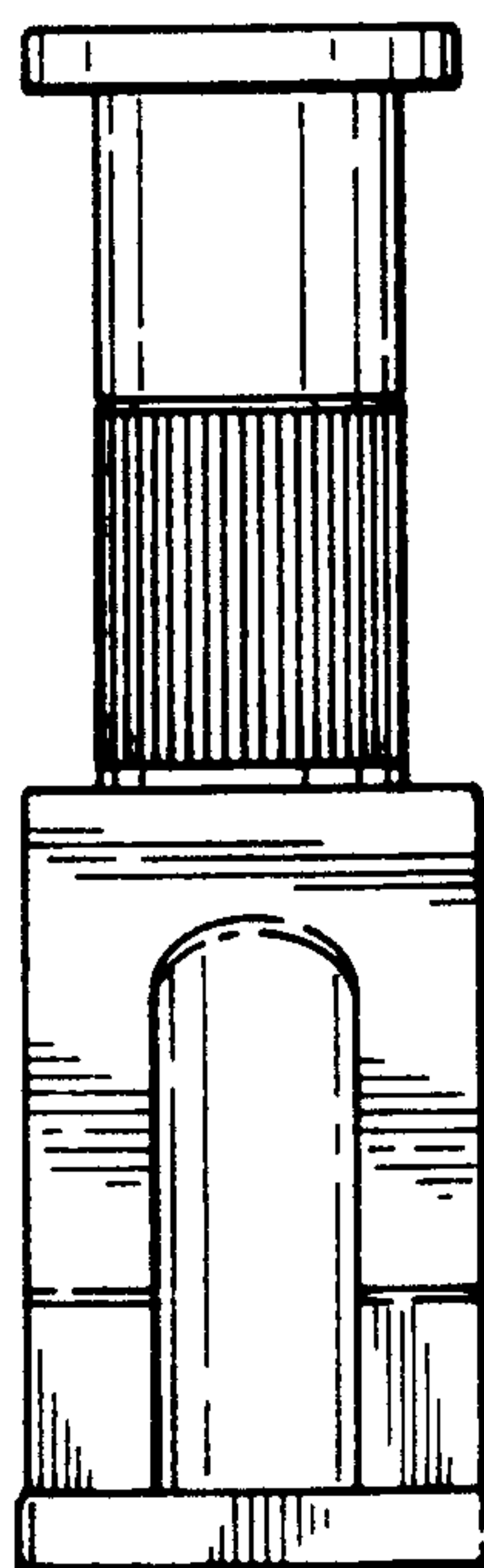


FIG. 3



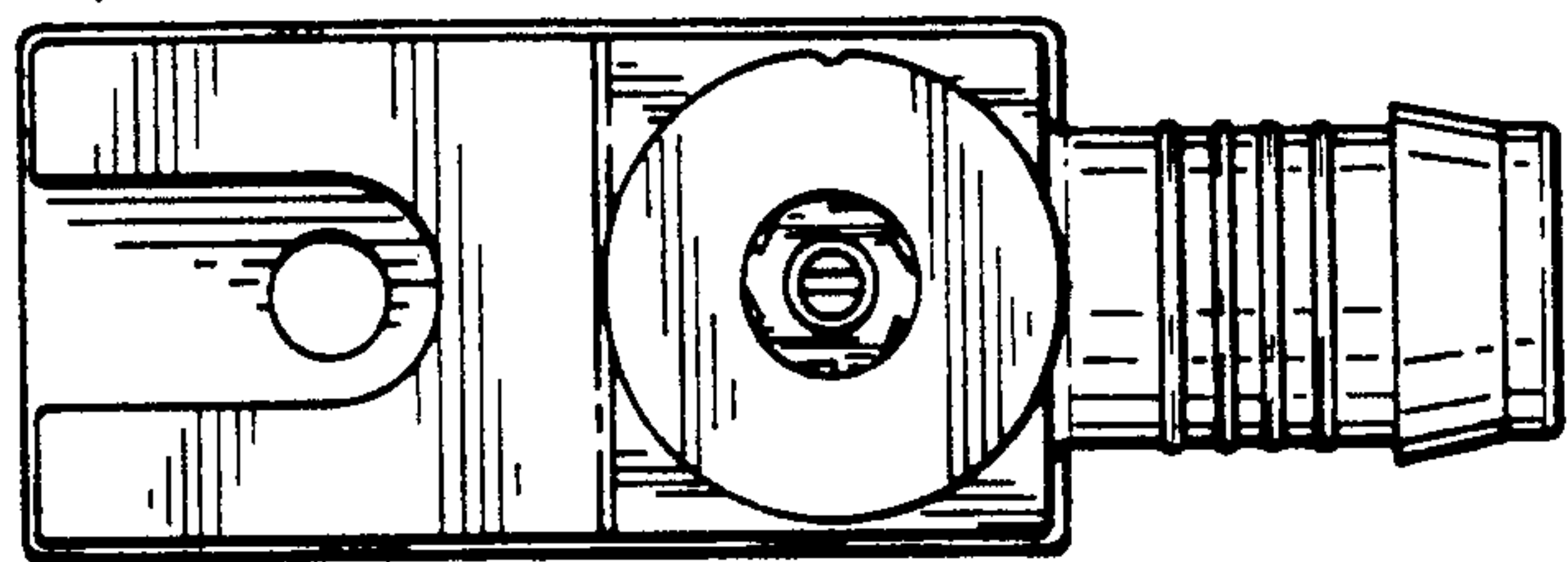


FIG. 4

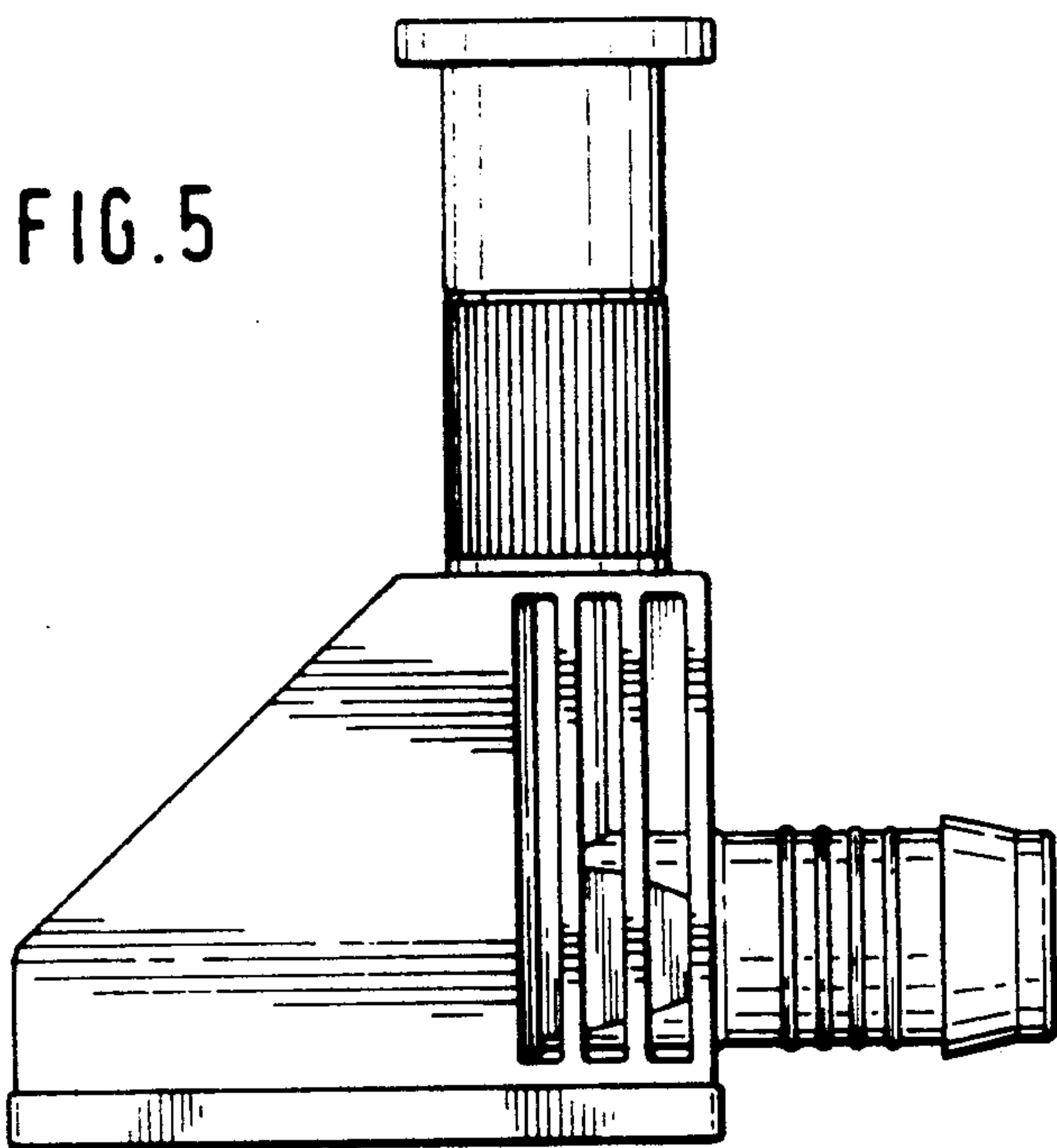


FIG. 5

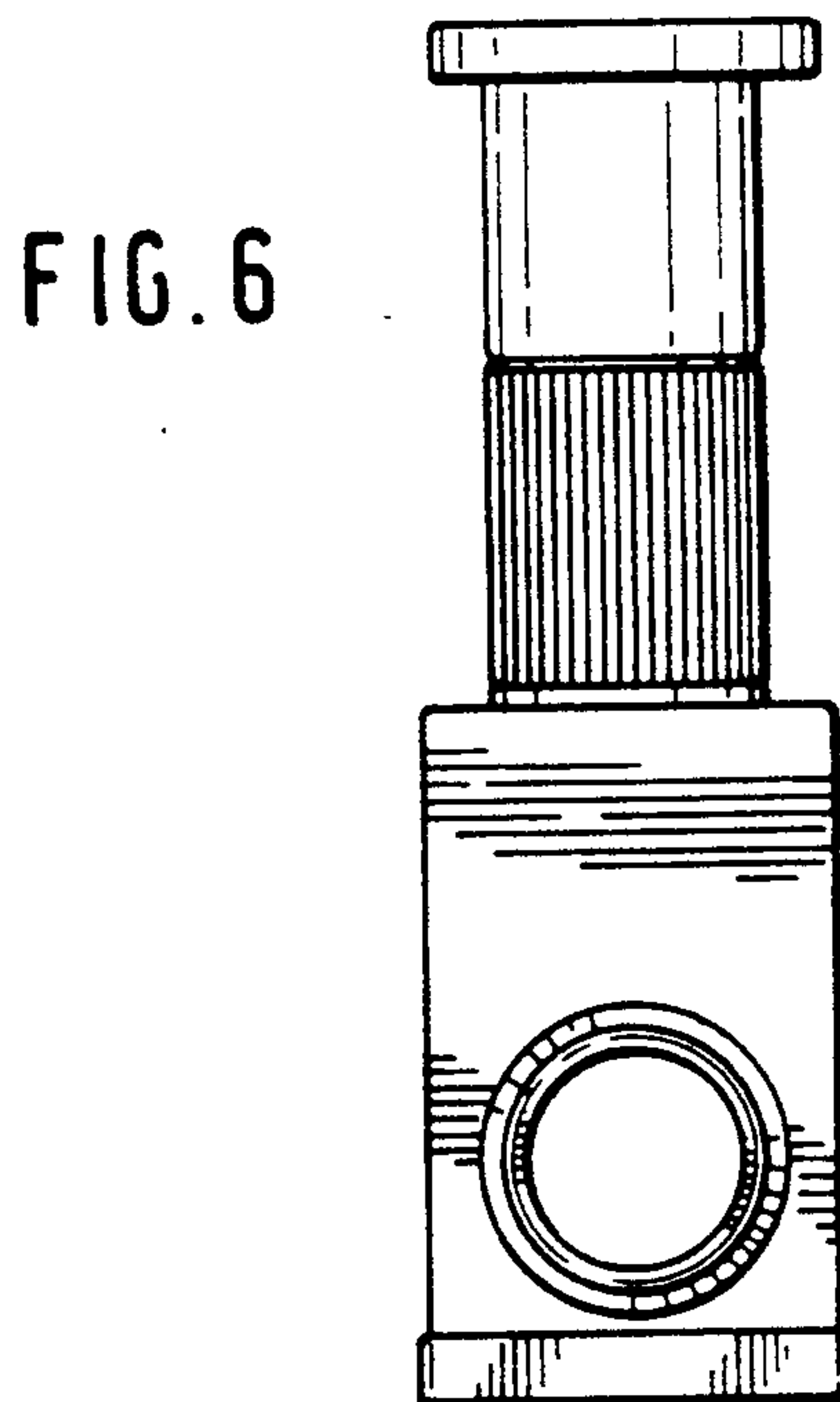


FIG. 6

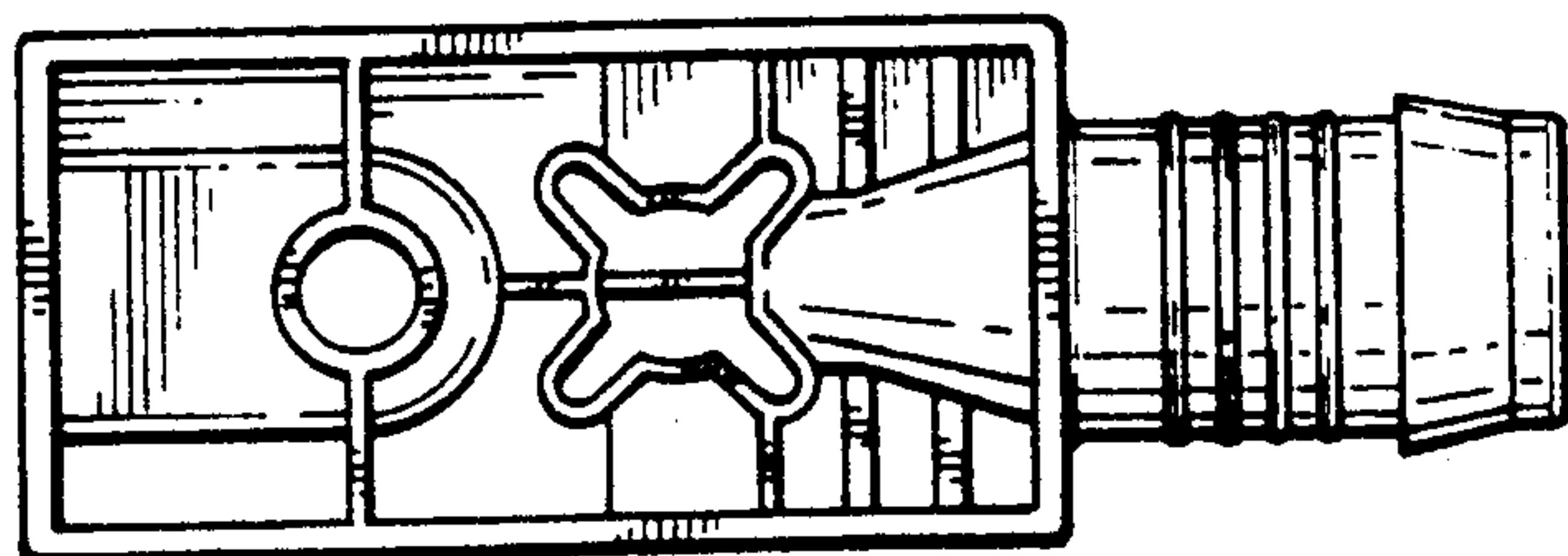


FIG. 7