

[54] WATER FILTER

[75] Inventors: Mark Kurth; Andrew Alger, both of Chicago, Ill.

[73] Assignee: Omni Corporation, Hammond, Ind.

[**] Term: 14 Years

[21] Appl. No.: 467,214

[22] Filed: Jan. 19, 1990

[52] U.S. Cl. D23/209

[58] Field of Search D23/200, 207-210; 210/136, 198.1, 205-206, 231, 241, 244-245, 257.1-257.2, 258, 260-261, 269, 275, 282, 288-290, 295, 321.6, 321.78, 416.3, 443-449

[56] References Cited

U.S. PATENT DOCUMENTS

- D. 213,440 3/1969 Wildgen D23/207
- D. 231,456 4/1974 Marsh D23/207

- D. 256,719 9/1980 Rose D23/207
- D. 258,753 3/1981 Lampe et al. D23/207
- D. 290,286 6/1987 Padilla D23/207
- 3,342,335 9/1967 Gamundi et al. 210/244 X

Primary Examiner—Susan J. Lucas
Assistant Examiner—M. H. Tung
Attorney, Agent, or Firm—Leydig, Voit & Mayer

[57] CLAIM

The ornamental design for a water filter, as shown and described.

DESCRIPTION

FIG. 1 is a top, front perspective view of a water filter showing our new design;
FIG. 2 is a front elevational view thereof;
FIG. 3 is a side elevational view thereof, the other side being a mirror image;
FIG. 4 is a top plan view thereof;
FIG. 5 is a bottom plan view thereof;
FIG. 6 is a rear elevational view thereof.

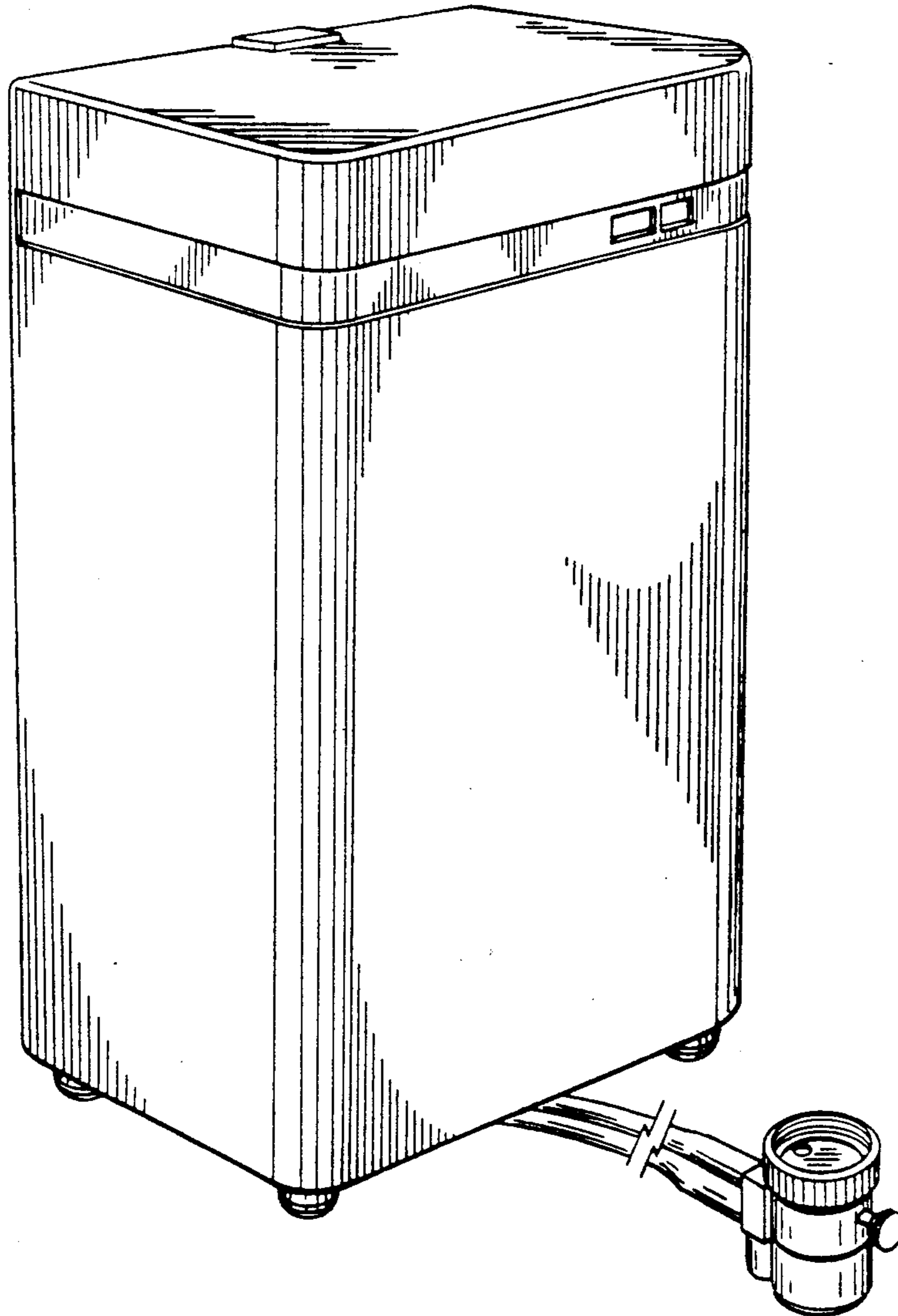
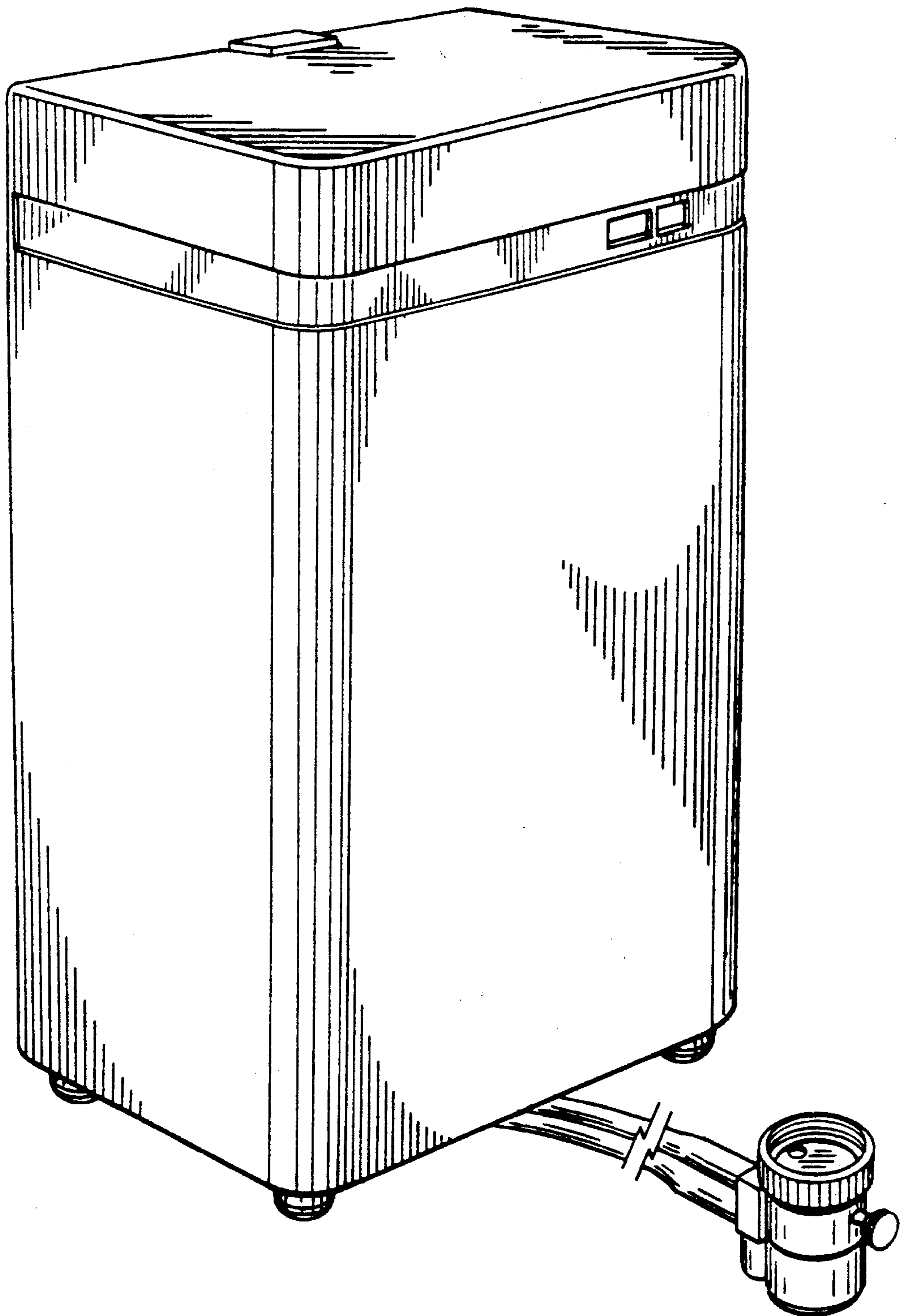


FIG. 1



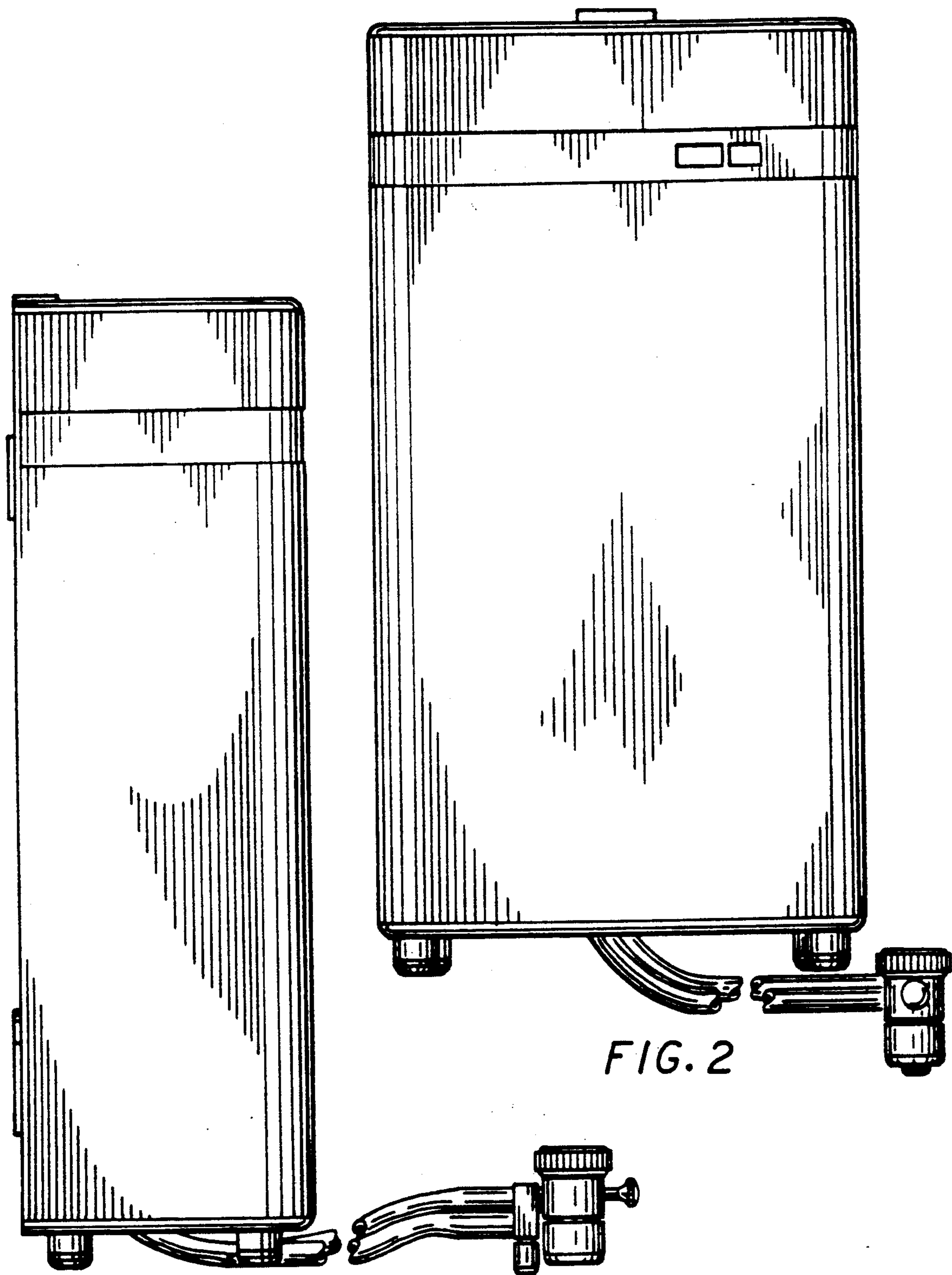


FIG. 2

FIG. 3

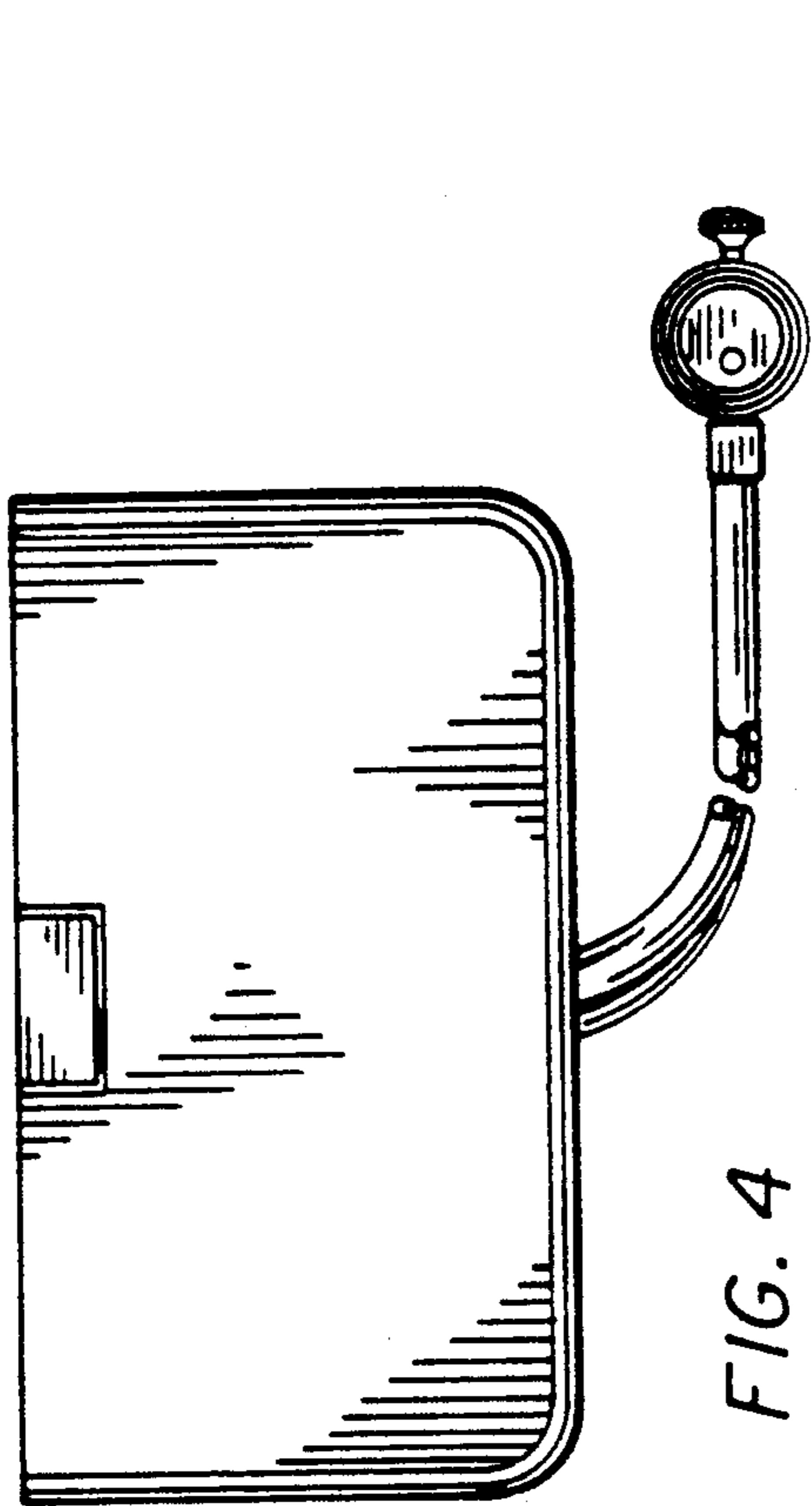


FIG. 4

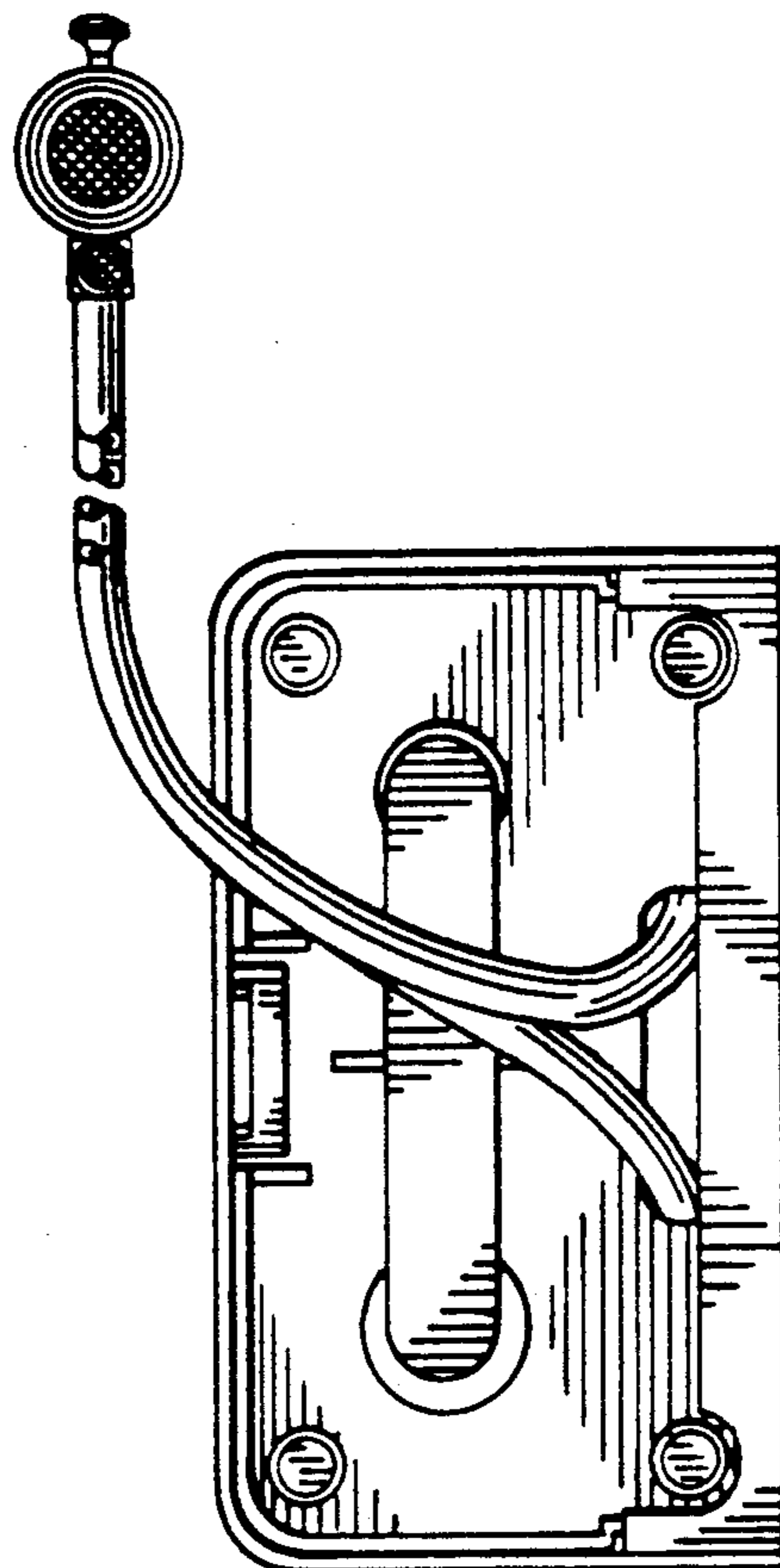


FIG. 5

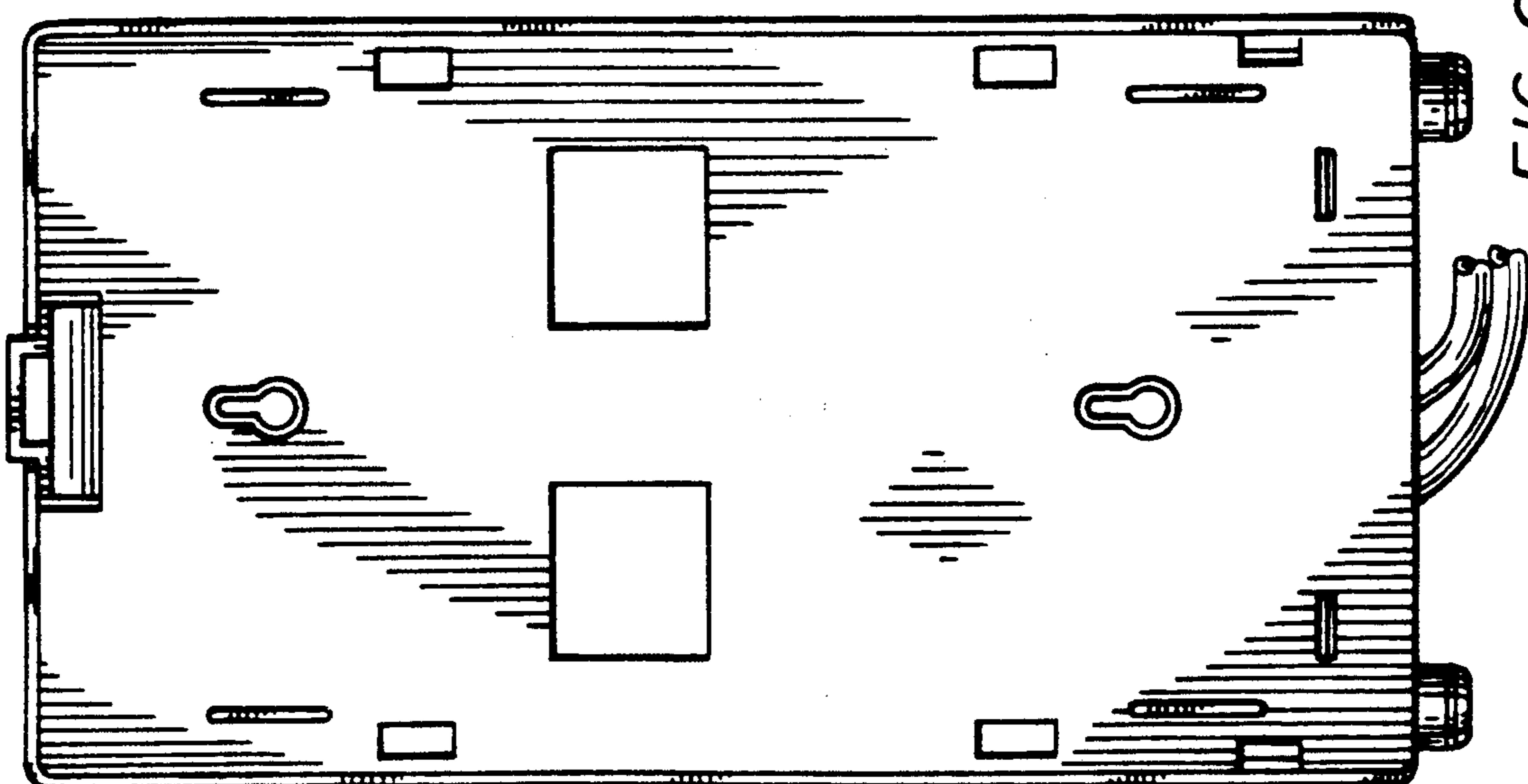


FIG. 6