

[54] CHILDRENS POOL AND SHOWER

[76] Inventors: Janie E. Warren; James E. Warren, both of Rte. 1, Box 755, Webers Falls, Okla. 74470

[\*\*] Term: 14 Years

[21] Appl. No.: 361,581

[22] Filed: Jun. 5, 1989

[52] U.S. Cl. .... D21/252

[58] Field of Search ..... D21/252; 272/1 A; 446/267, 483

[56] References Cited

U.S. PATENT DOCUMENTS

D. 112,440	12/1938	Smith	.....	D21/252
2,199,915	5/1940	Howard	.....	272/1 A
2,483,789	10/1949	Smith et al.	.....	272/1 A
2,831,293	4/1958	Gotz	.....	446/267 X
2,852,884	9/1958	Burt	.....	446/267

OTHER PUBLICATIONS

Coleco Polypools, 1965 Cat, p. 4.  
Best Spring Cat., 1986, p. 18, top left of the page.

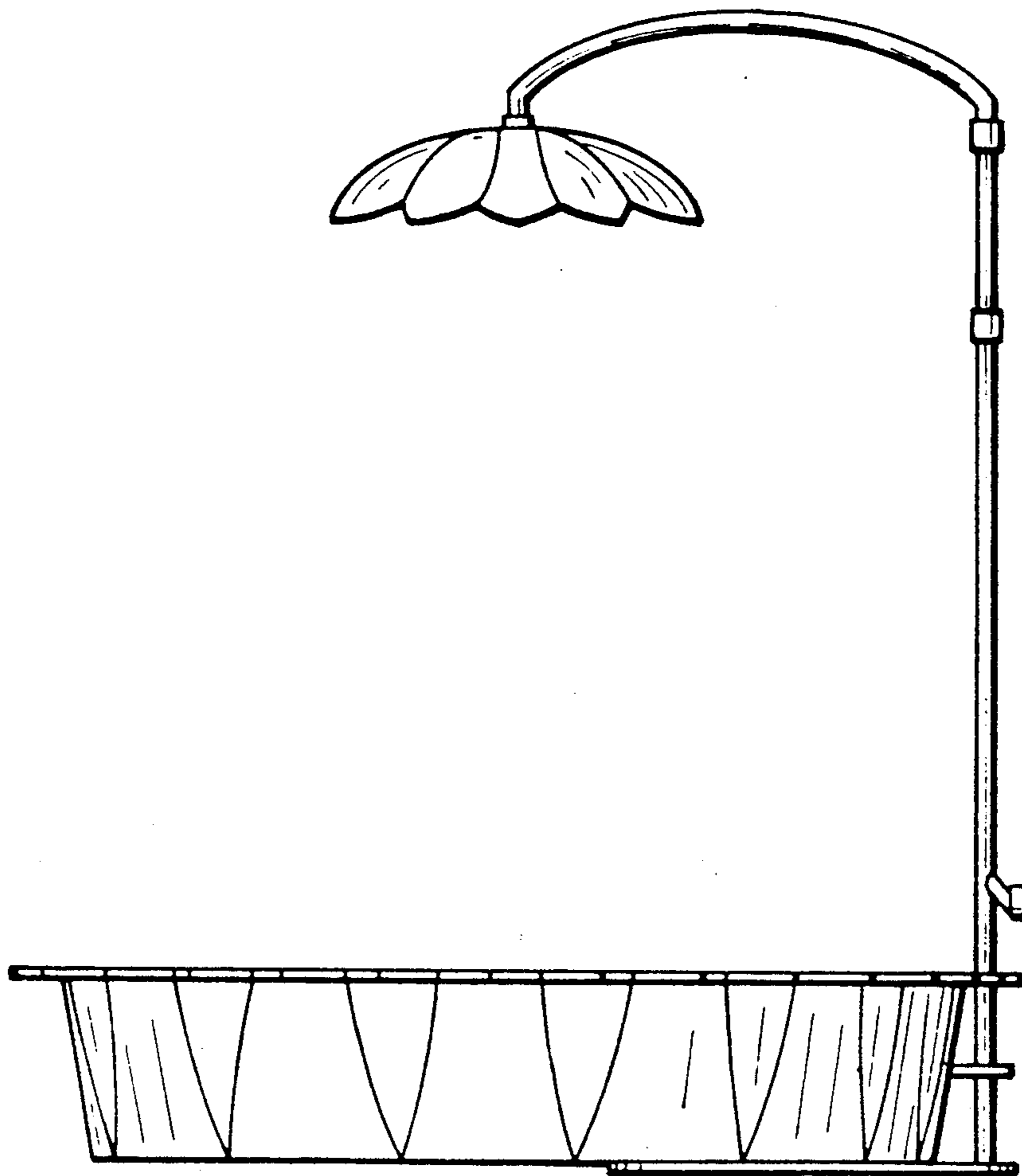
Primary Examiner—Bernard Ansher  
Assistant Examiner—Prabhakar Deshmukh  
Attorney, Agent, or Firm—Head & Johnson

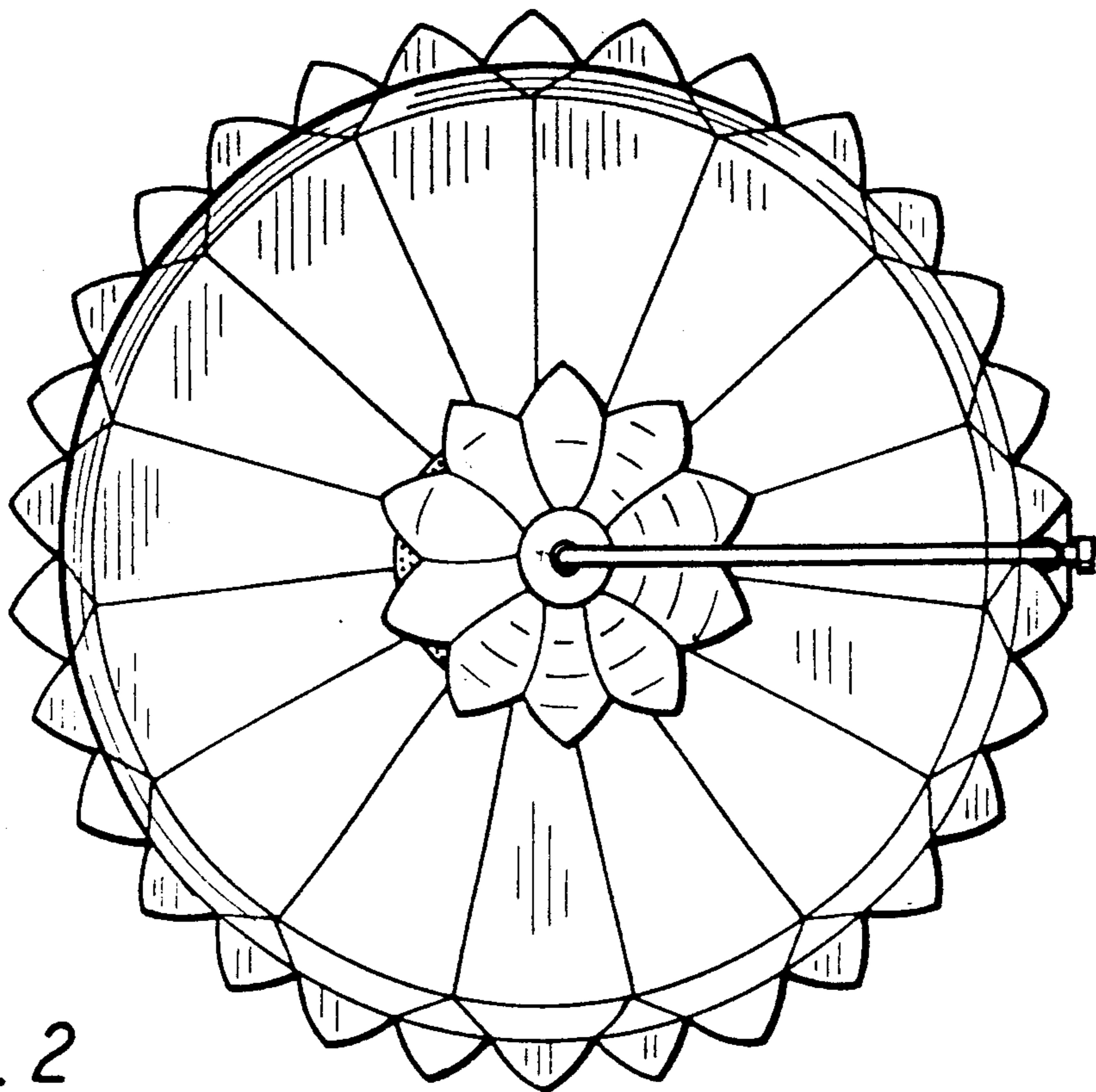
[57] CLAIM

The ornamental design for a childrens pool and shower, as shown and described.

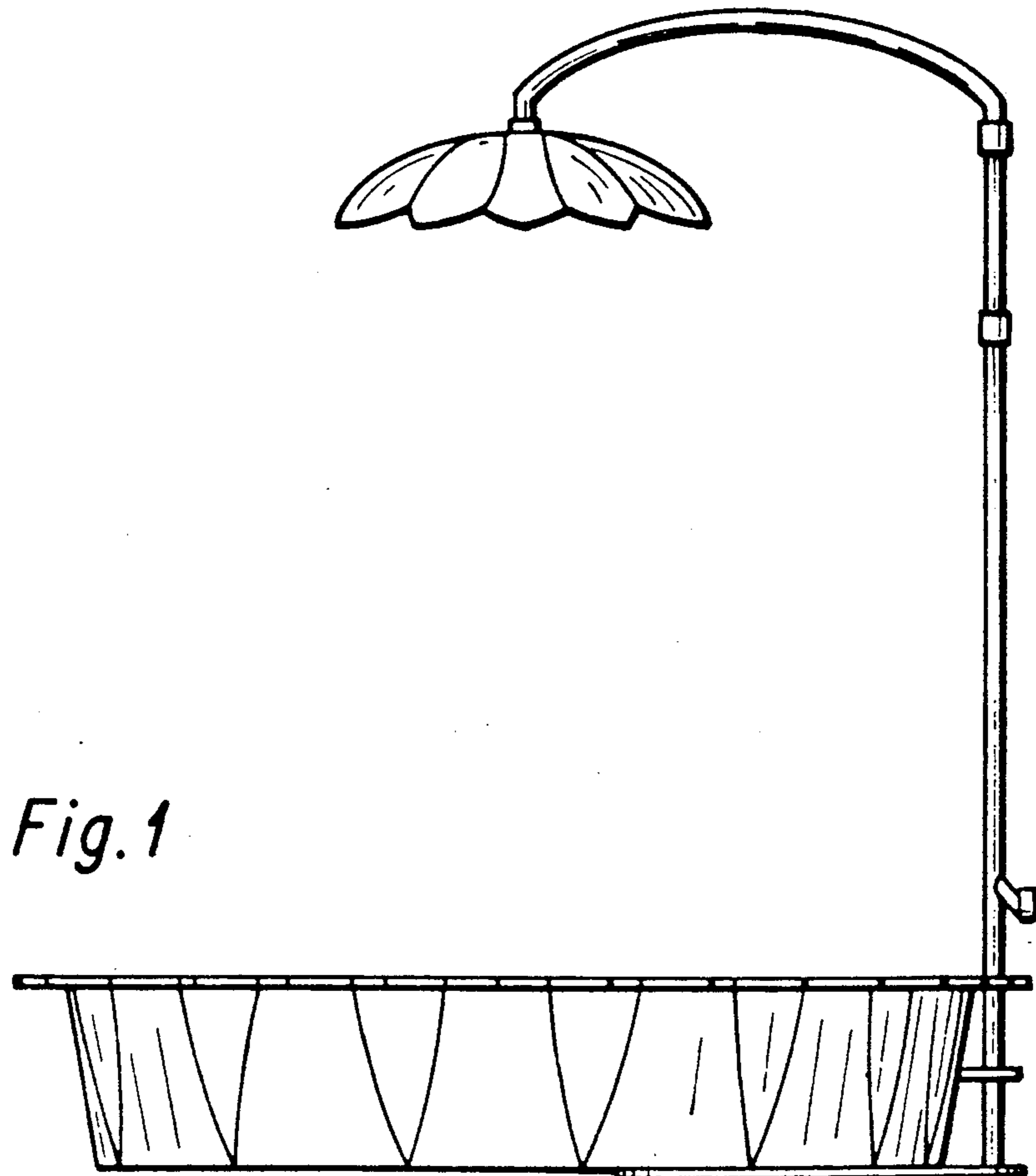
DESCRIPTION

FIG. 1 is a left side elevation of a childrens pool and shower showing our new design; the right side elevation being a mirror image thereof; FIG. 2 is a top plan view thereof; FIG. 3 is a rear elevation thereof; FIG. 4 is a front elevation thereof; and FIG. 5 is a bottom plan view thereof.

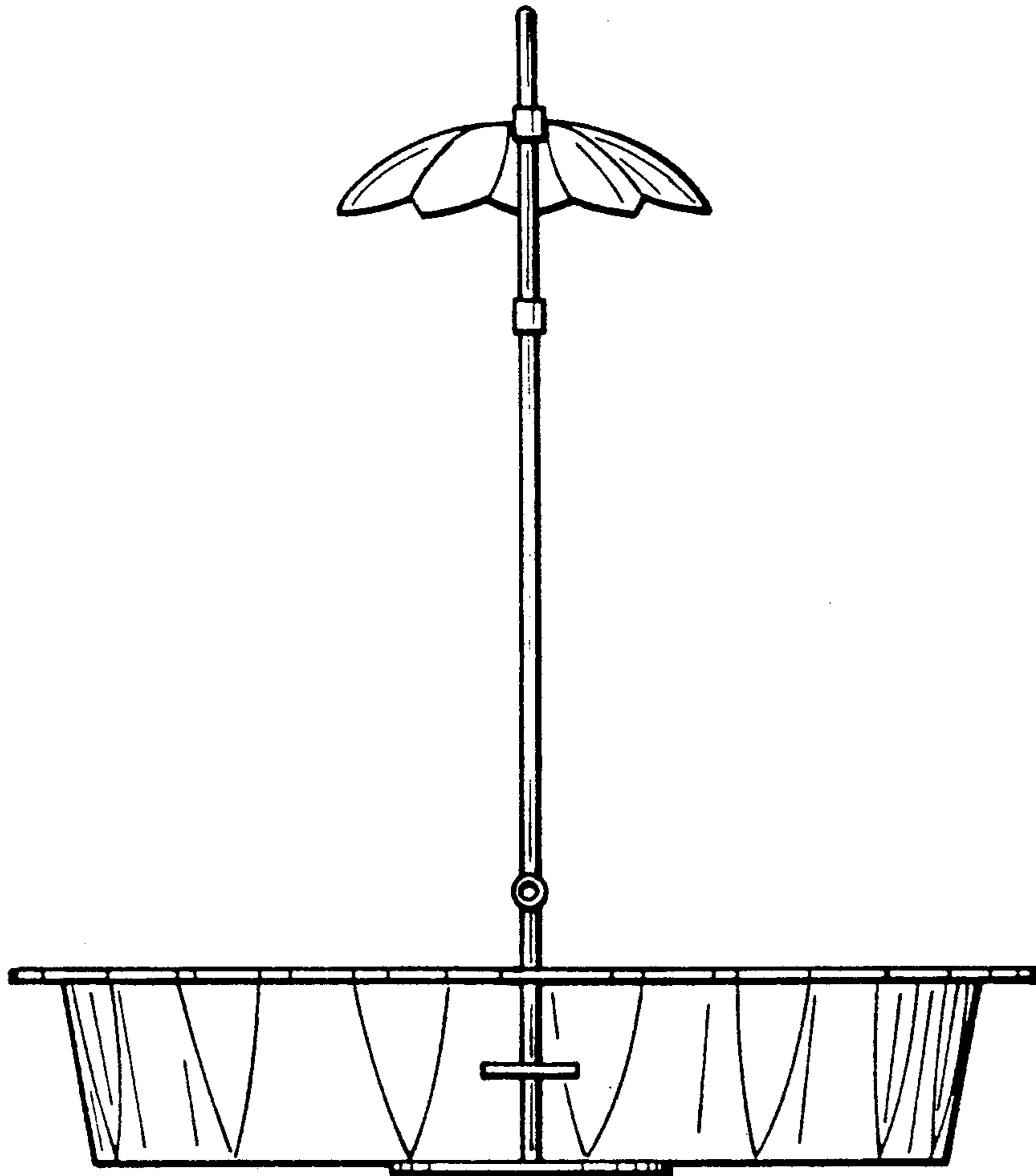




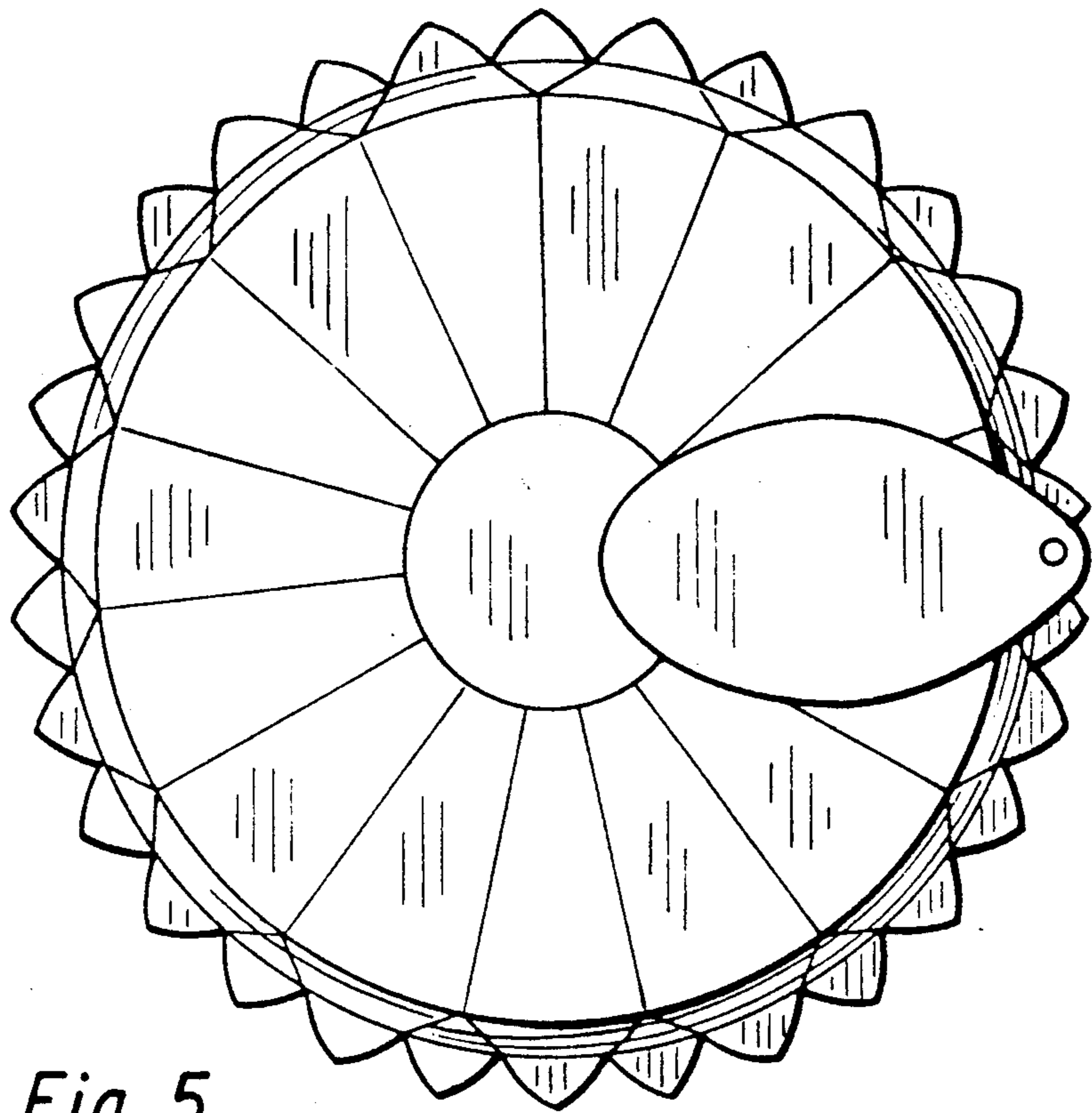
*Fig. 2*



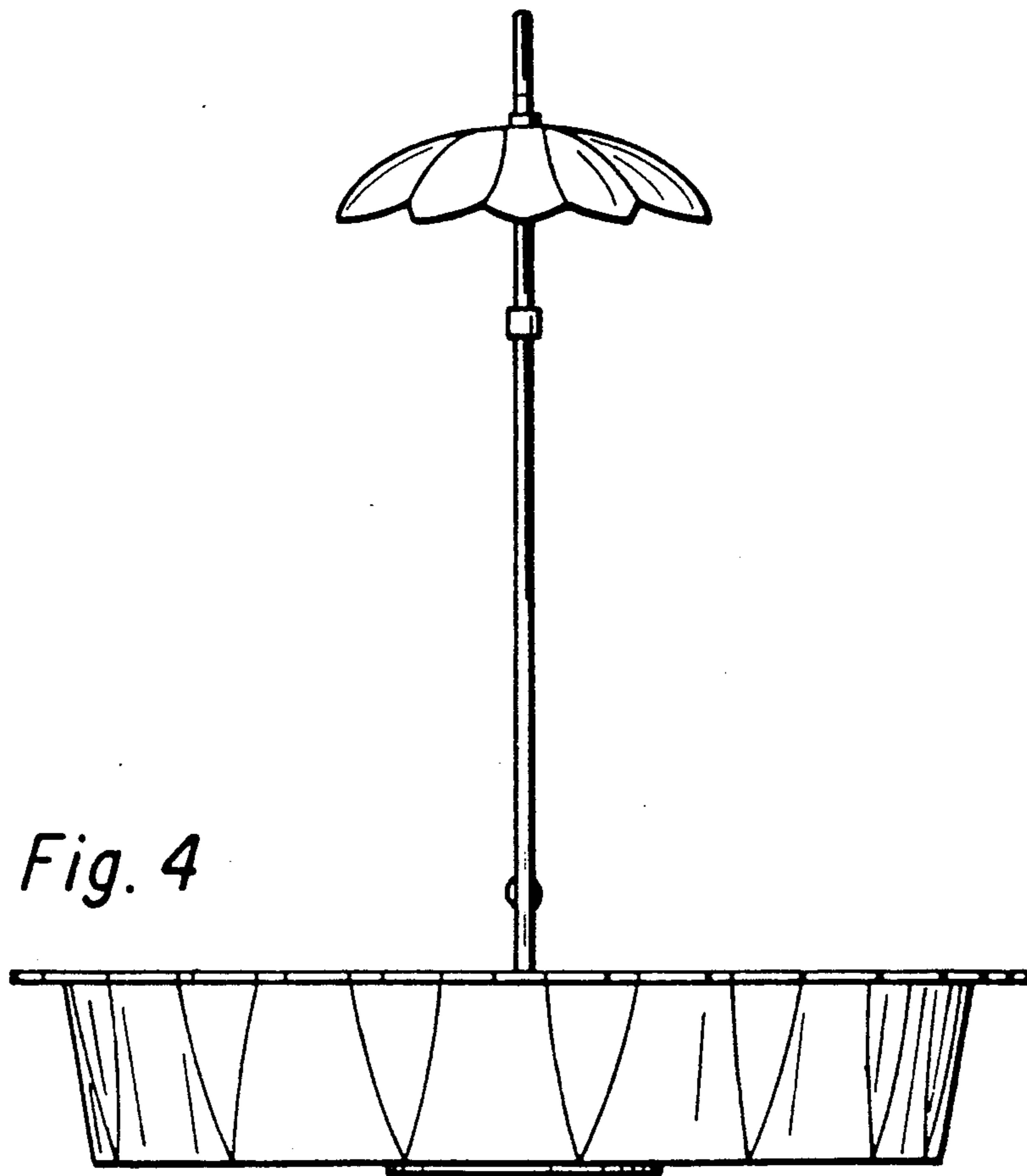
*Fig. 1*



*Fig. 3*



*Fig. 5*



*Fig. 4*