

[54] TOY RACING CAR

[75] Inventor: Hirotugu Tsuchiya, Shizuoka, Japan

[73] Assignee: Kabushiki Kaisha Tamiya Mokei, Shizuoka, Japan

[\*\*] Term: 14 Years

[21] Appl. No.: 375,522

[22] Filed: Jul. 5, 1989

[30] Foreign Application Priority Data

Feb. 17, 1989 [JP] Japan ..... 1-5592

[52] U.S. Cl. .... D21/137

[58] Field of Search ..... D21/136, 137; D12/88, D12/86; 446/470, 471, 454, 456, 444, 446

[56] References Cited

PUBLICATIONS

Hong Kong Toys '88, p. 672, lower rt.

Hong Kong Toys '88, p. 48, top.

Hong Kong Toys '88, p. 225, top.

Hong Kong Toys '88, p. 402, #5890SC and 2nd from lower rt.

Hong Kong Toys '88, p. 22.

Primary Examiner—Charles A. Rademaker

Assistant Examiner—Raphael Barkai

Attorney, Agent, or Firm—Finnegan, Henderson, Farabow, Garrett, Dunner

[57] CLAIM

The ornamental design for a toy racing car, as shown and described.

DESCRIPTION

FIG. 1 is a perspective view of the toy racing car showing my new design;

FIG. 2 is a front elevational view thereof;

FIG. 3 is a rear elevational view thereof;

FIG. 4 is a left side elevational view thereof;

FIG. 5 is a right side elevational view thereof;

FIG. 6 is a top plan view of the toy car; and

FIG. 7 is a bottom plan view thereof.

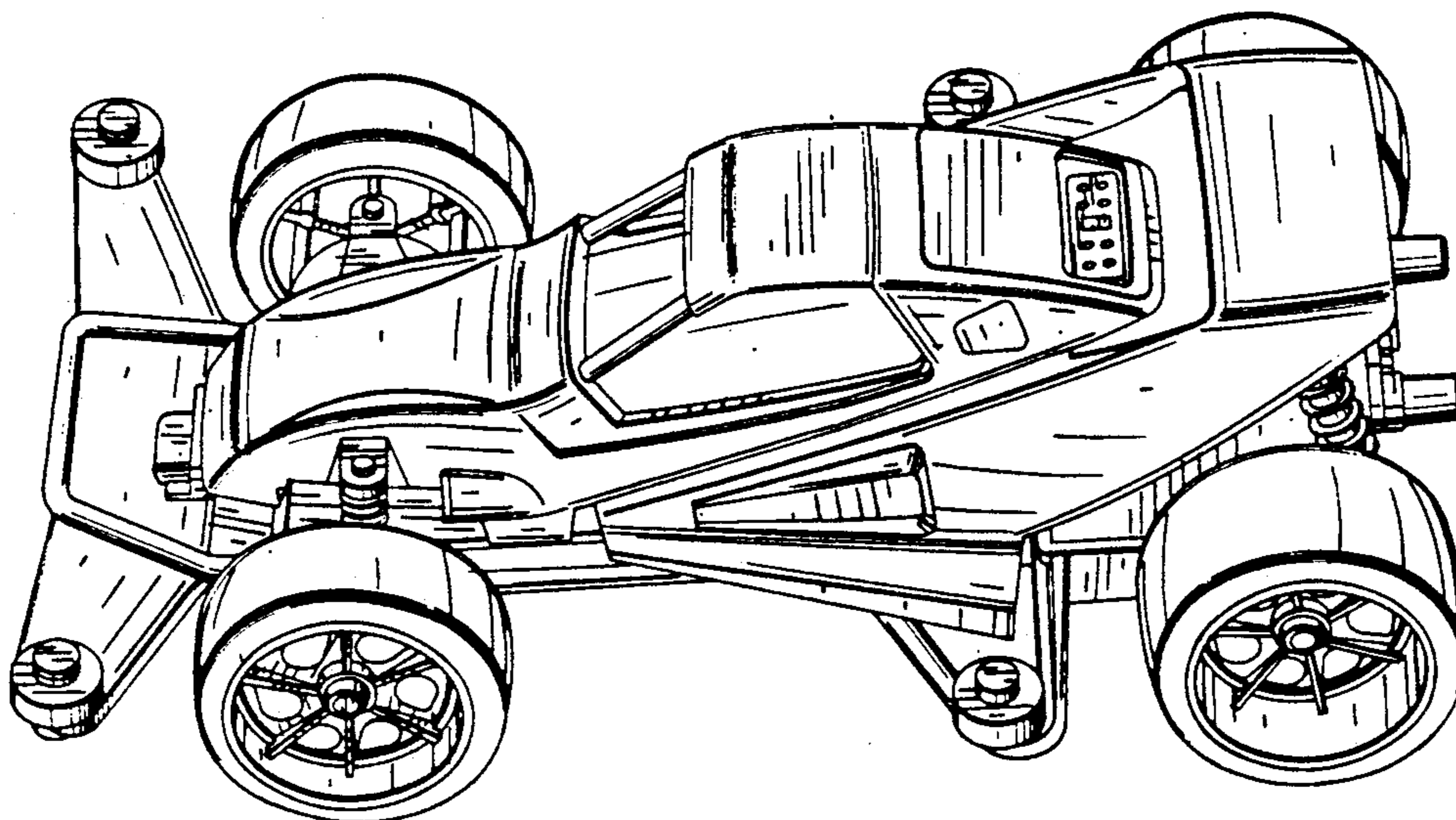


FIG. 1

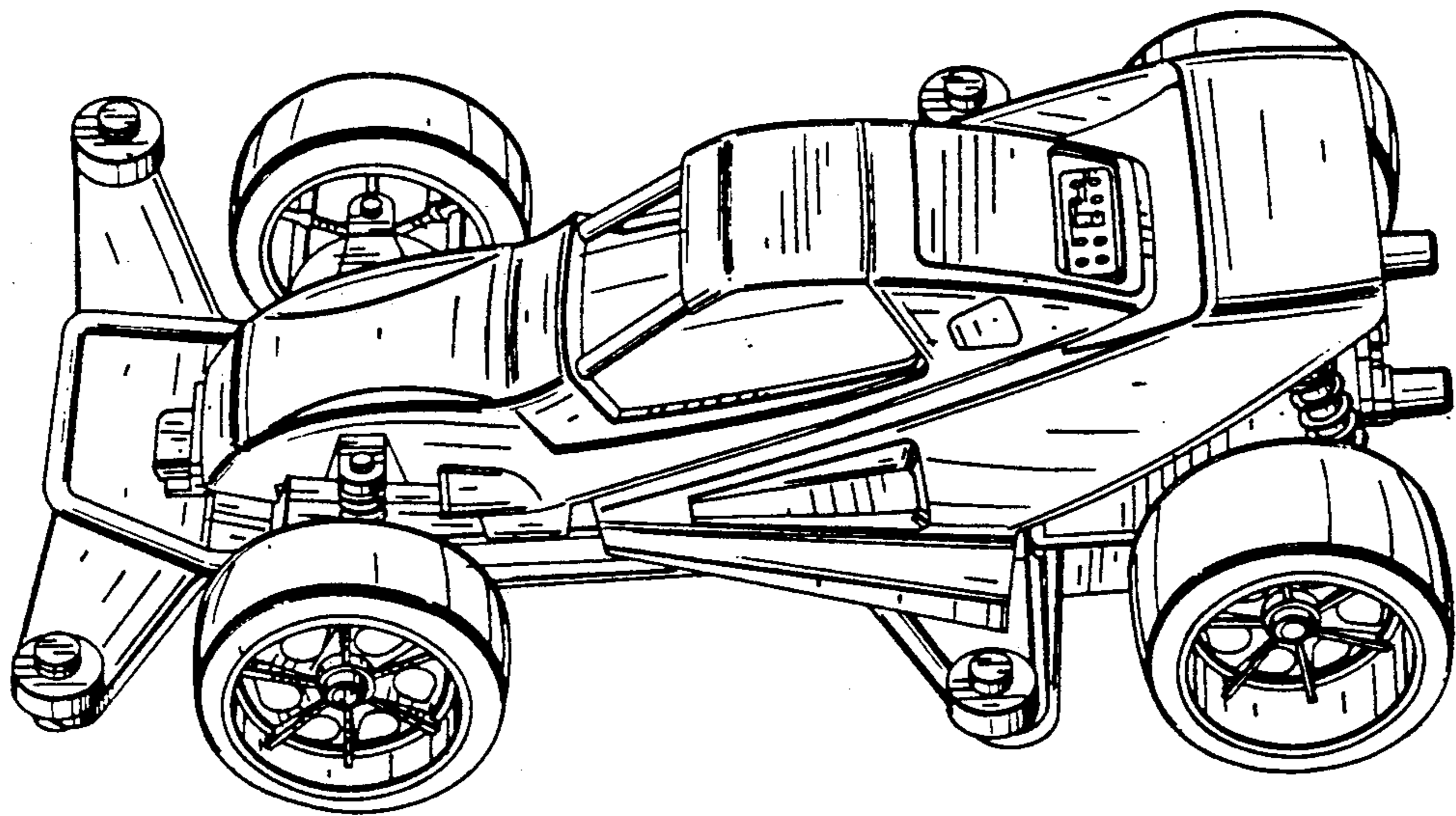


FIG. 2

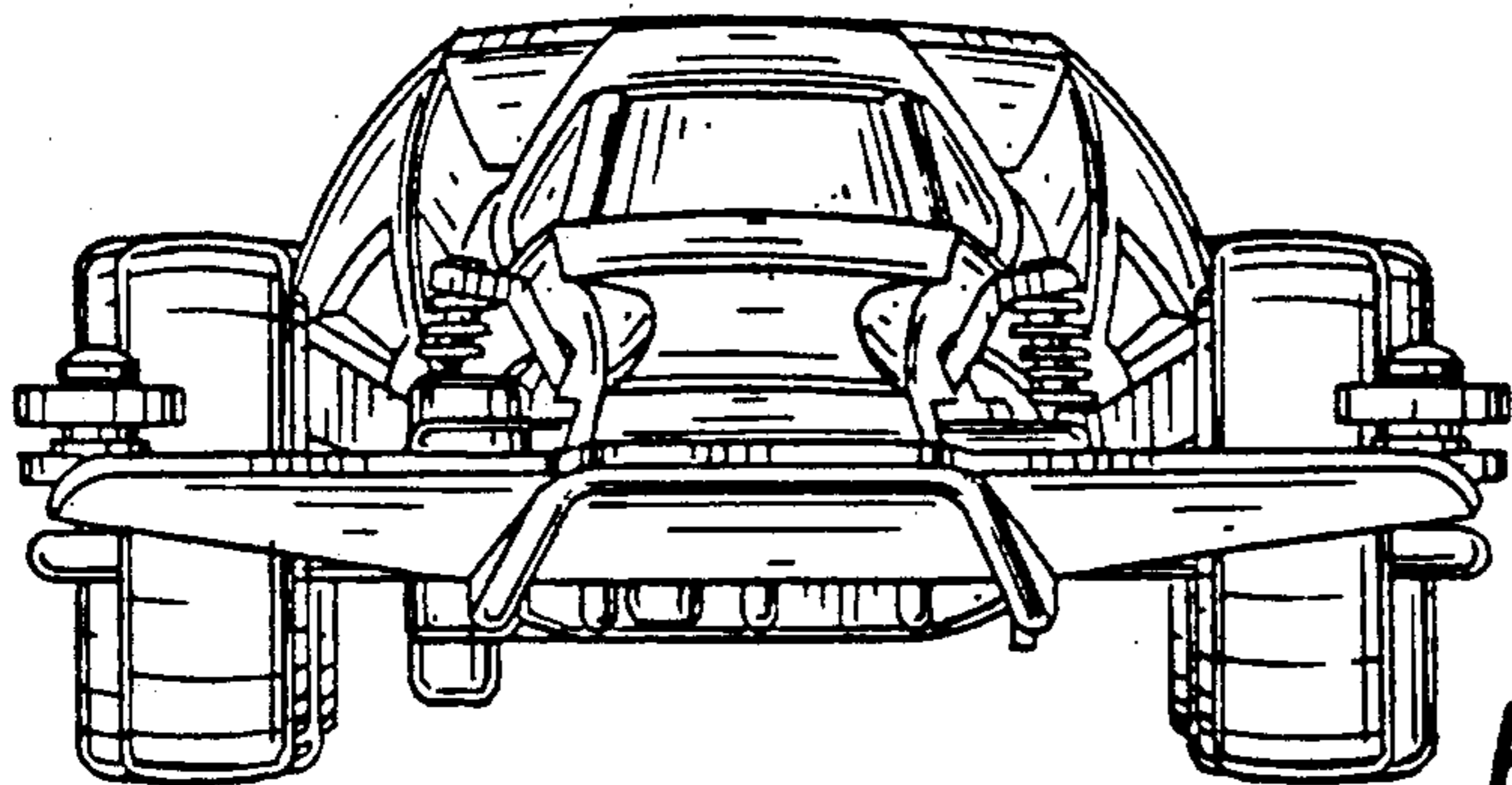


FIG. 3

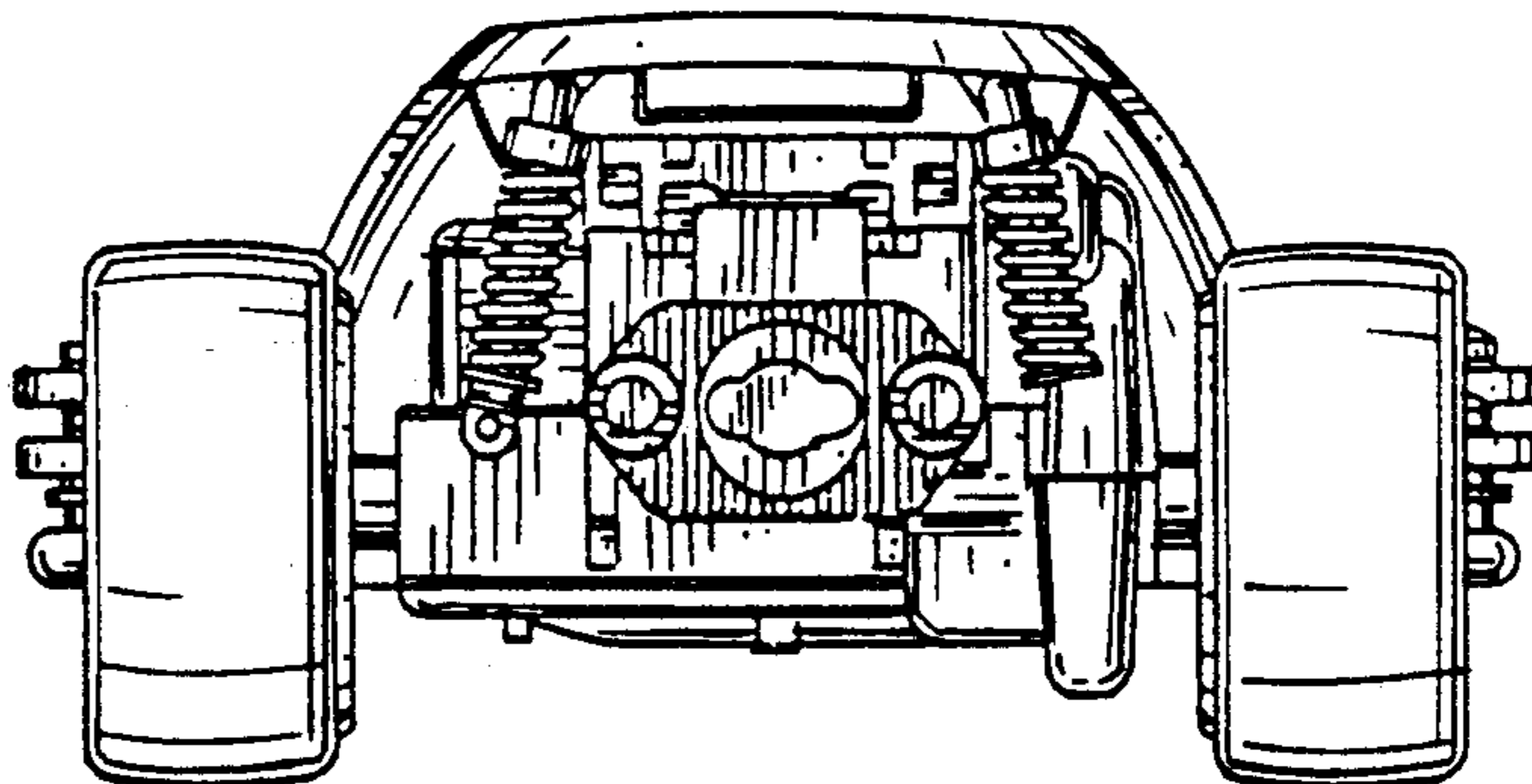


FIG. 4

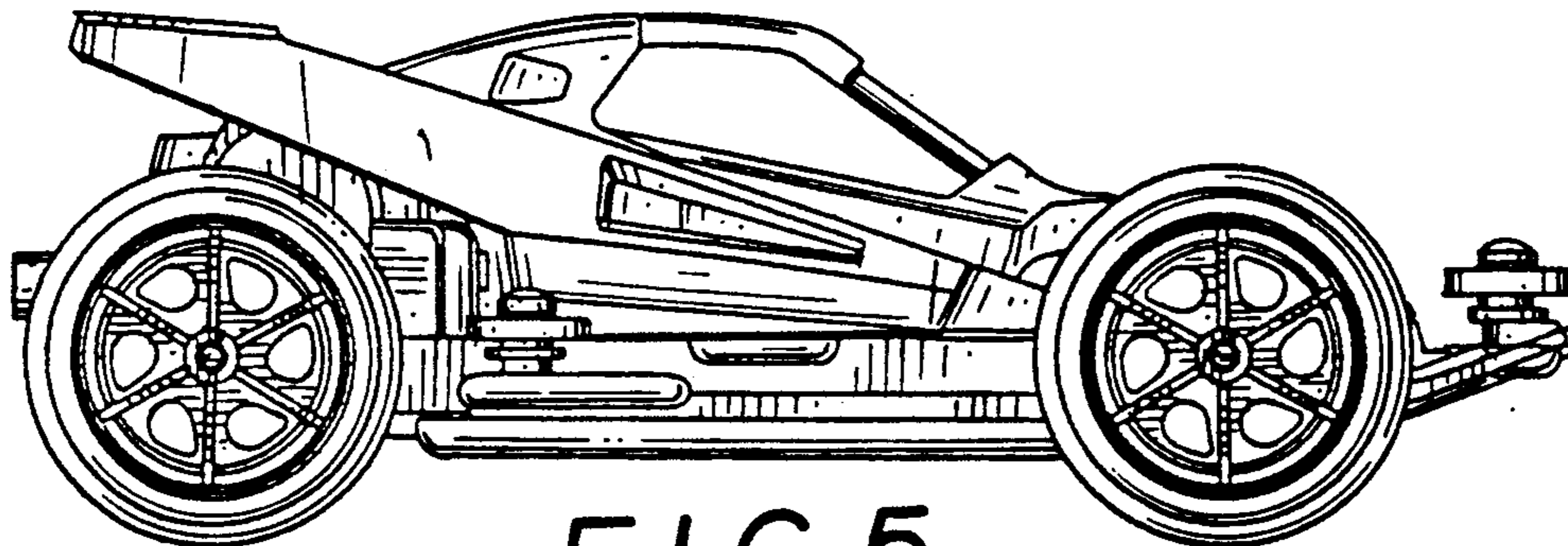


FIG. 5

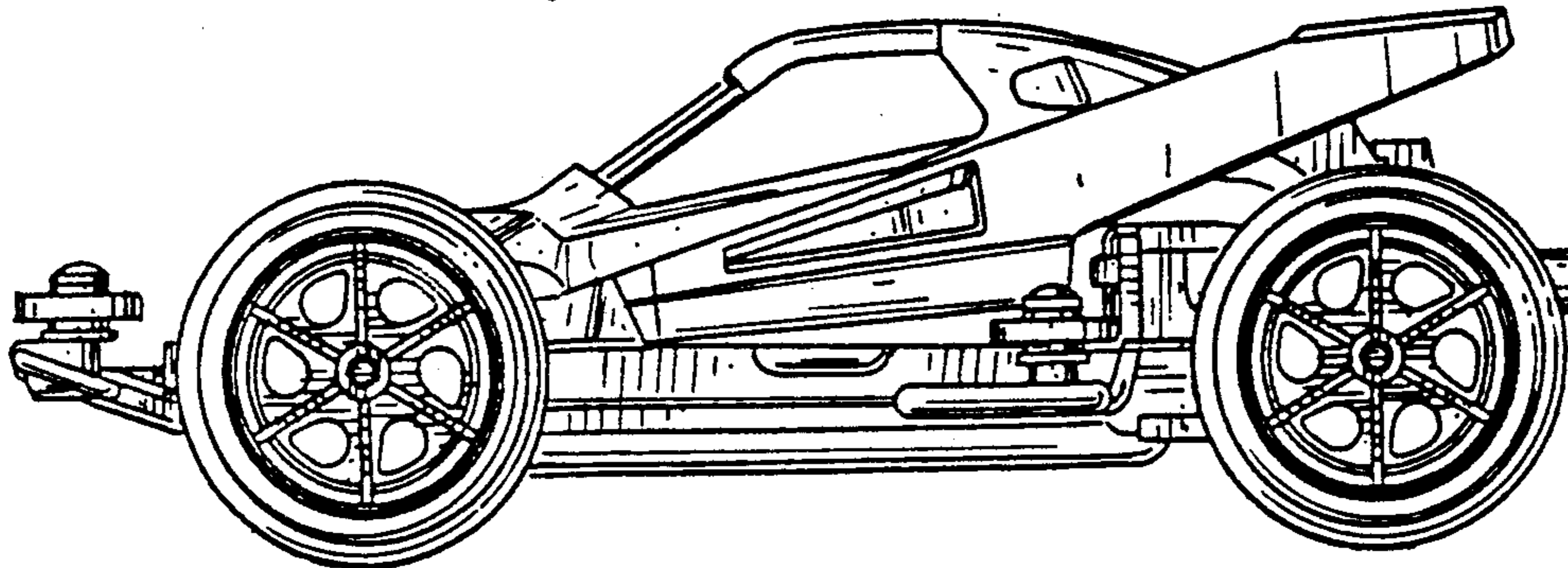


FIG. 7

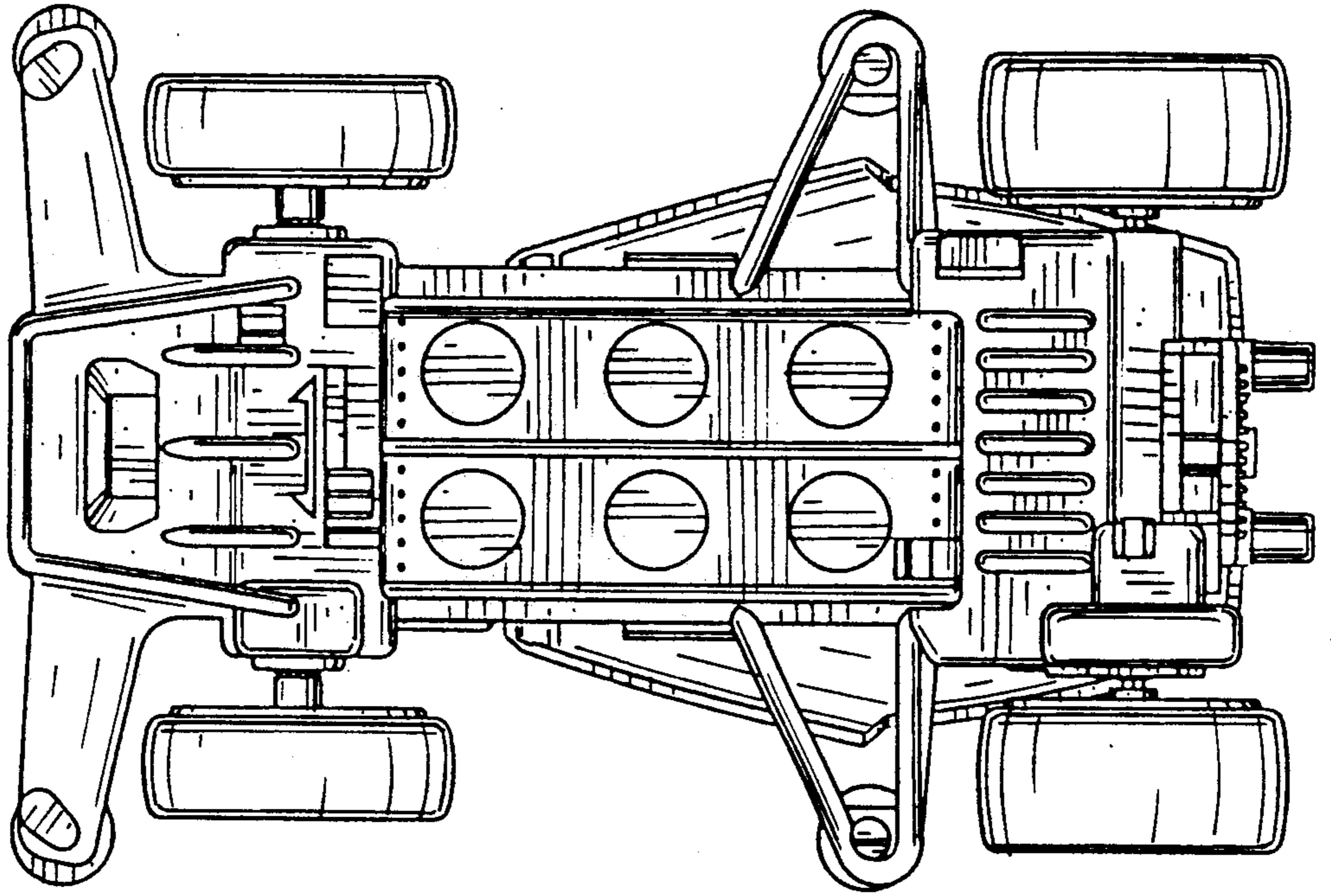


FIG. 6

