

[54] COMBINED WRITING BOARD AND HOLDER

[75] Inventor: Randy S. Greenspahn, Wilmette, Ill.

[73] Assignee: Vertiflex Company, Chicago, Ill.

[**] Term: 14 Years

[21] Appl. No.: 116,502

[22] Filed: Nov. 2, 1987

[52] U.S. Cl. D19/52; D19/35; D19/88; D19/92; D19/95

[58] Field of Search D3/56; D19/35, 36, 52, D19/65, 88, 92, 95, 100; D6/406, 418, 419; 29/278; 206/214, 215; 40/341; 211/41, 42, 45; 248/441.1; 118/504

[56] References Cited

U.S. PATENT DOCUMENTS

- D. 114,382 4/1939 Kemp D19/91 X
- D. 127,480 5/1941 Corcoran D6/406
- D. 140,921 4/1945 Vermann D19/92 X
- D. 159,473 8/1950 Cottier D19/88

- D. 174,188 3/1955 Martin D19/52
- D. 231,956 6/1974 Meagher D19/52
- D. 274,065 5/1984 Goutchat D3/56 X
- D. 276,732 12/1984 Marquez D19/52
- D. 282,792 3/1986 Zinbarg D6/406
- D. 308,542 6/1990 DeWitt D19/88
- 1,491,693 4/1924 Graham 118/504

Primary Examiner—Bruce W. Dunkins

Assistant Examiner—Martha Thompson

Attorney, Agent, or Firm—Garrettson Ellis

[57] CLAIM

The ornamental design for a combined writing board and holder, as shown and described.

DESCRIPTION

FIG. 1 is a perspective view of a combined writing board and holder showing our new design;

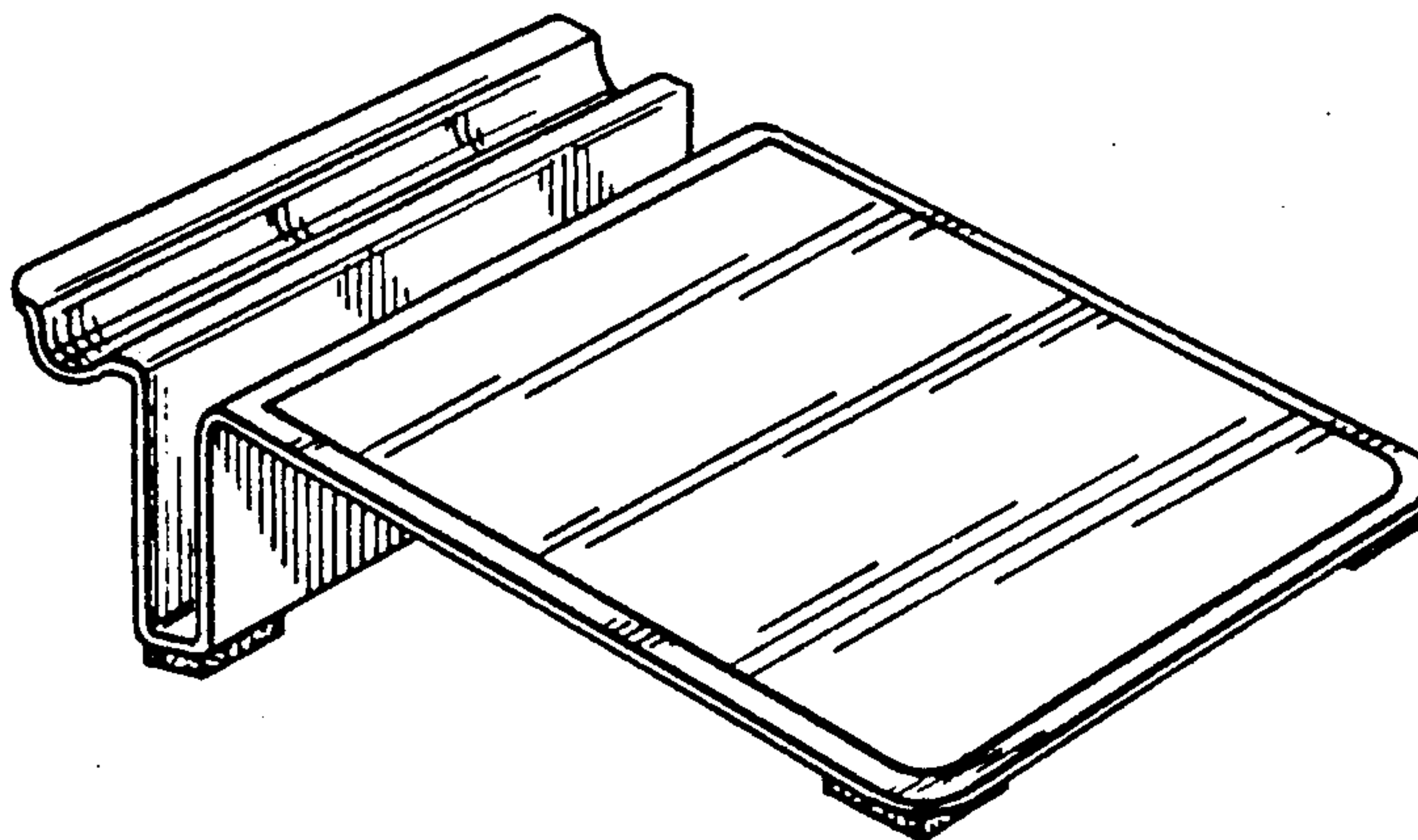
FIG. 2 is a top plan view thereof;

FIG. 3 is a side elevational view thereof;

FIG. 4 is an end elevational view thereof;

FIG. 5 is an end elevational view of the end opposite that shown in FIG. 4; and

FIG. 6 is a bottom plan view thereof.



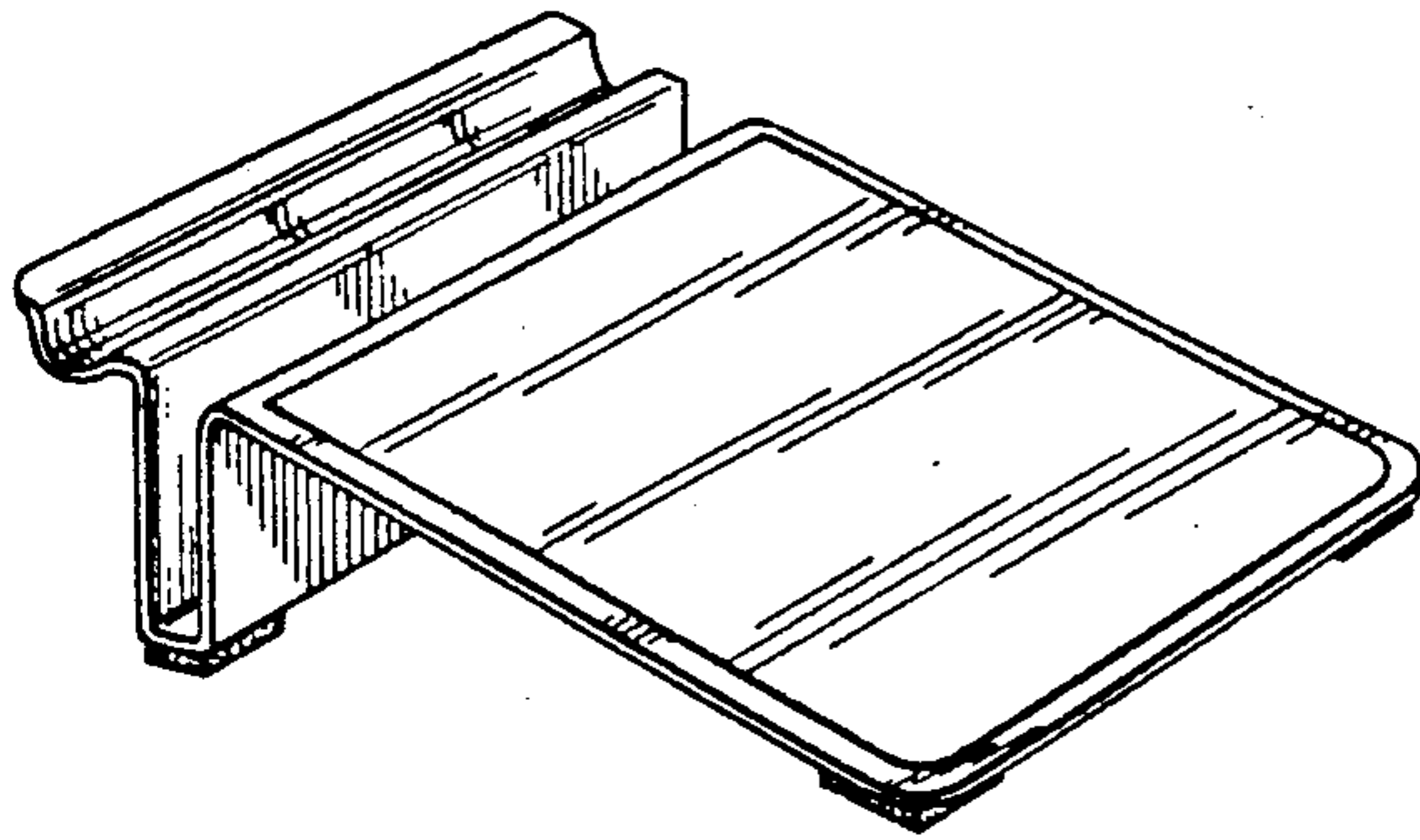


FIG. 1

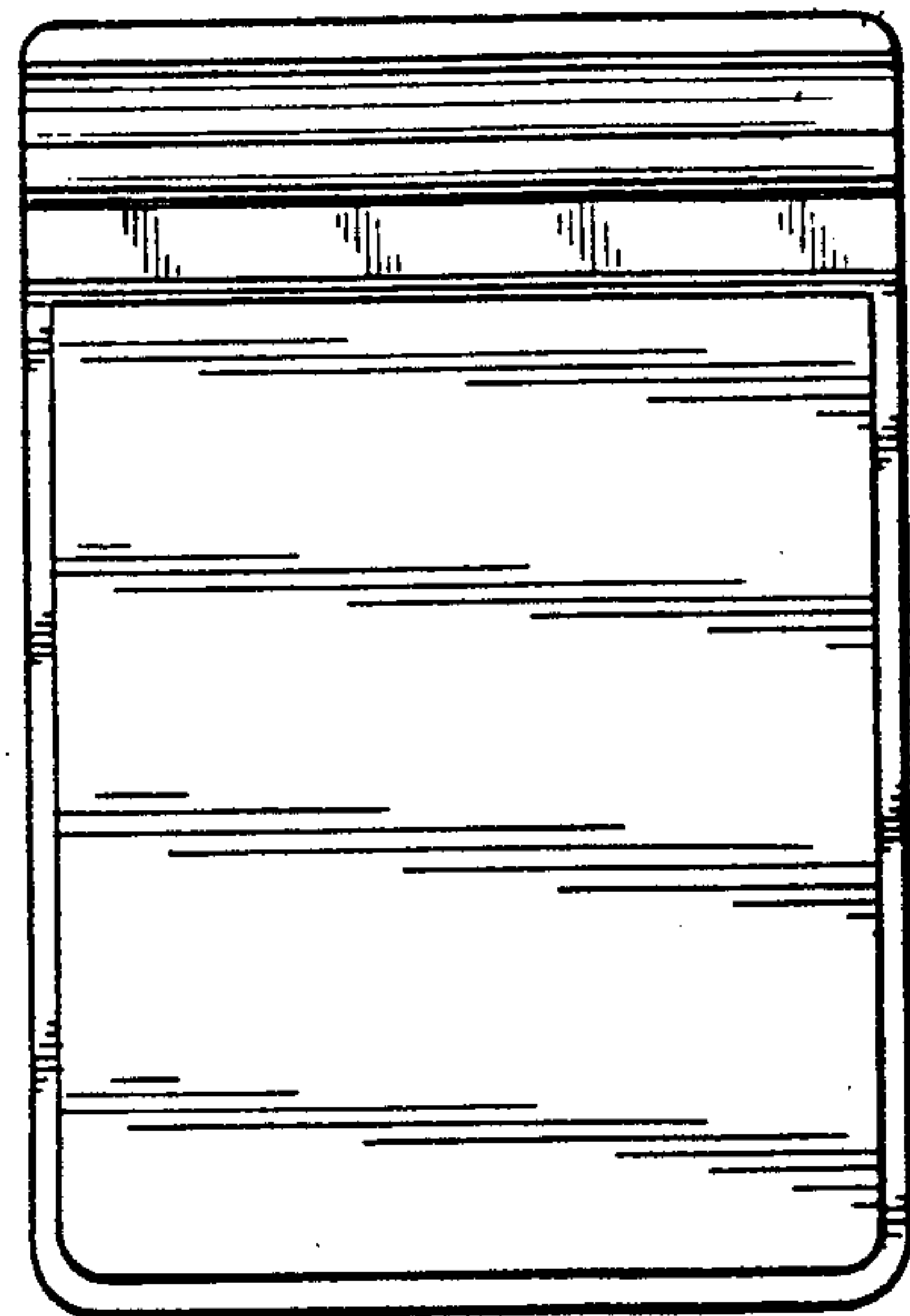


FIG. 2

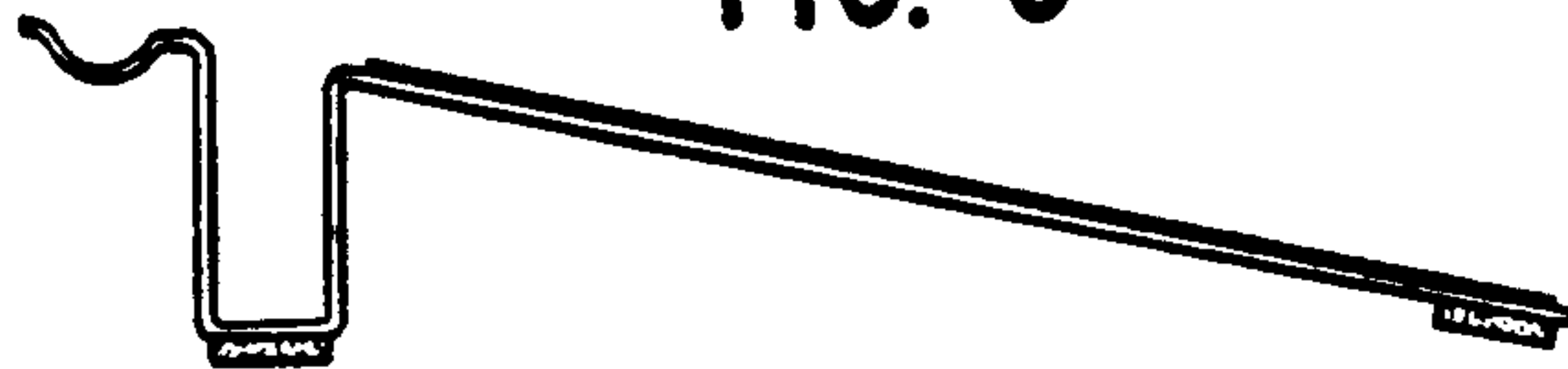


FIG. 3

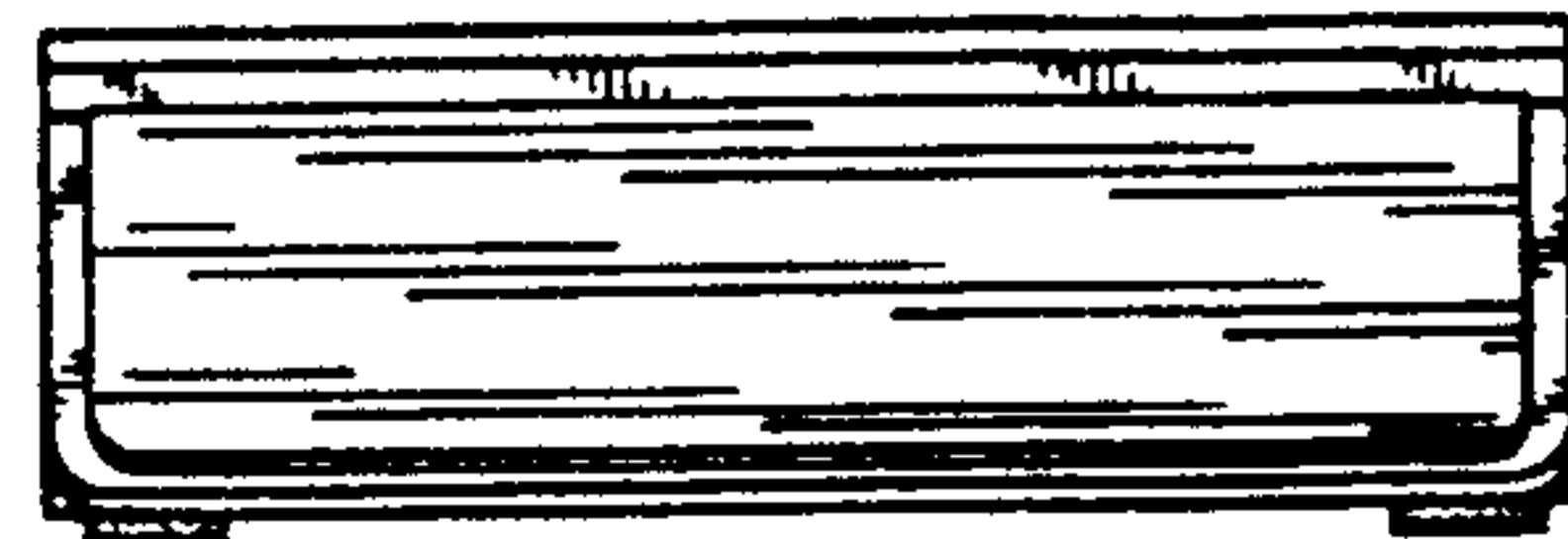


FIG. 4



FIG. 5

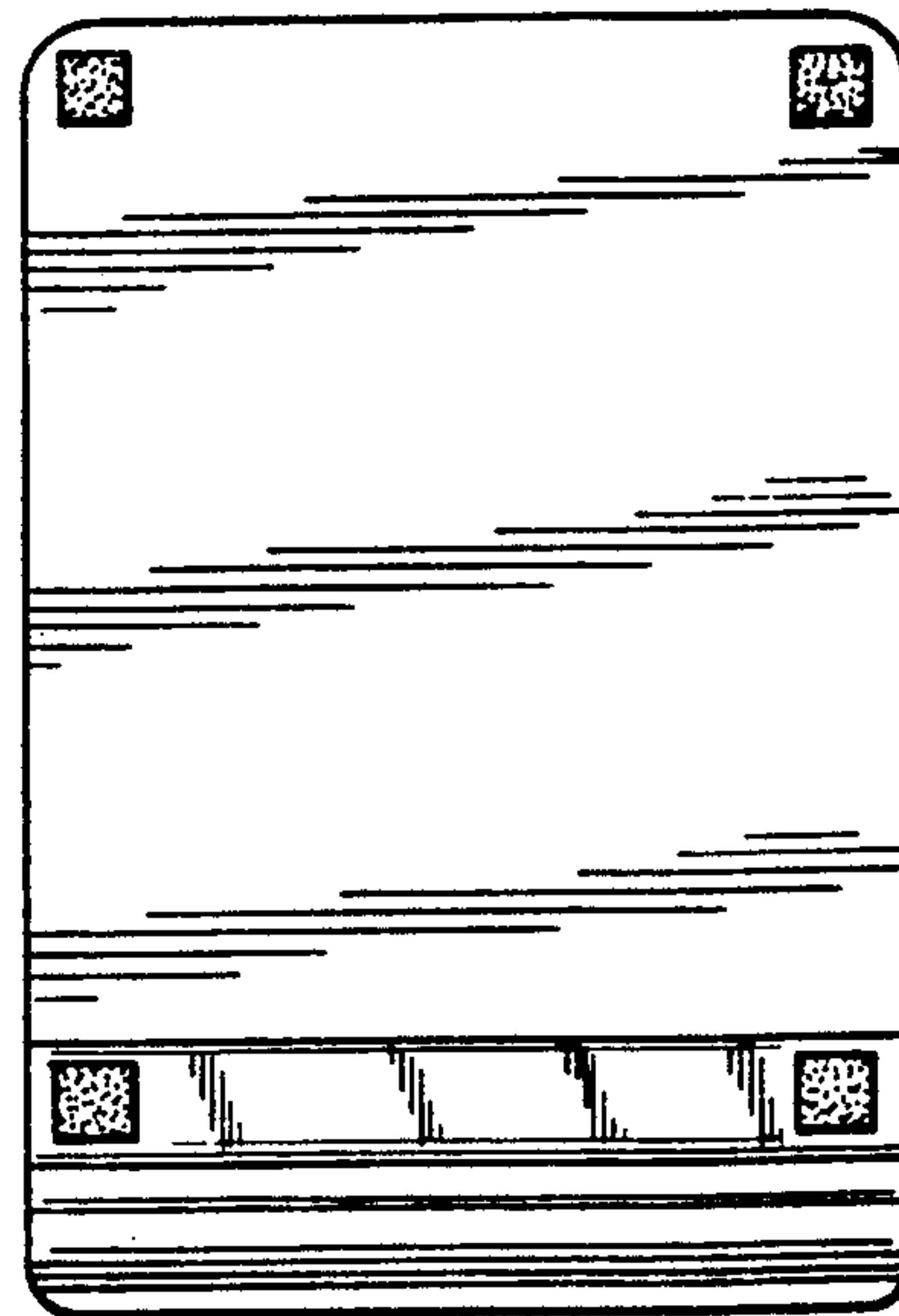


FIG. 6