

[54] COMPUTER TABLE

[76] Inventors: Michael C. M. Ng; Kheng L. Tan,  
both of Block 29, #01- 132 Defu  
Lane 10, Singapore 1953, Singapore

[\*\*] Term: 14 Years

[21] Appl. No.: 149,867

[22] Filed: Jan. 29, 1988

[52] U.S. Cl. .... D18/23; D6/429;  
D6/484

[58] Field of Search ..... D6/419-428,  
D6/429-431, 480, 484, 474; D18/23; D14/114,  
103; 248/176, 174, 676; 108/33, 41; 400/613.2,  
690, 694, 691

[56] References Cited

U.S. PATENT DOCUMENTS

D. 242,008 10/1976 Salsgiver ..... D6/480 X

D. 274,586 7/1984 Cope et al. .... D6/431 X  
D. 288,157 2/1987 Sandor ..... D6/474  
D. 290,020 5/1987 McCoy ..... D14/114 X  
D. 308,922 7/1990 Ng et al. .... D6/429  
4,568,212 2/1986 Cooke et al. .... 400/691

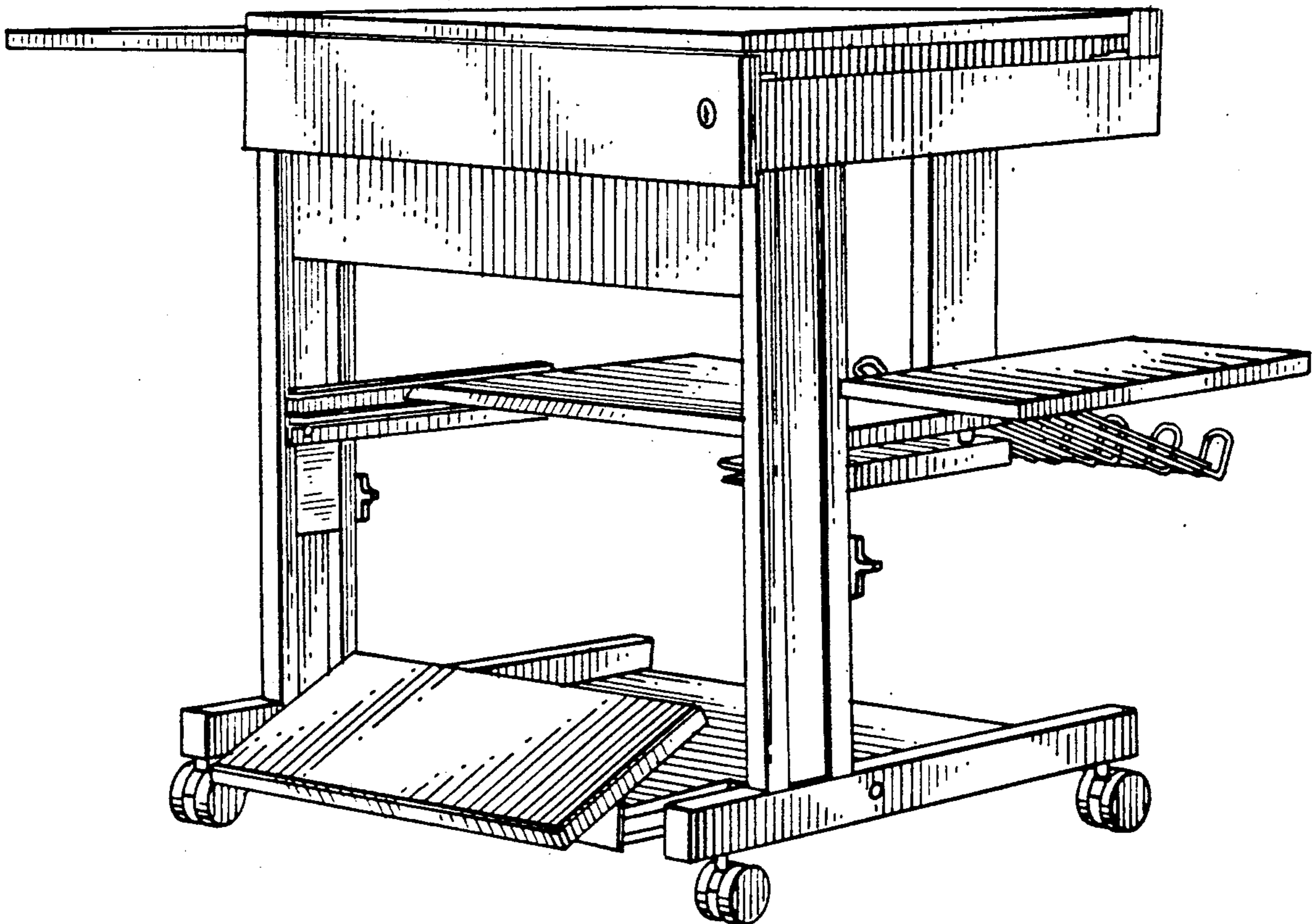
Primary Examiner—Carmen H. Vales-Lado  
Attorney, Agent, or Firm—Finnegan, Henderson,  
Farabow, Garrett & Dunner

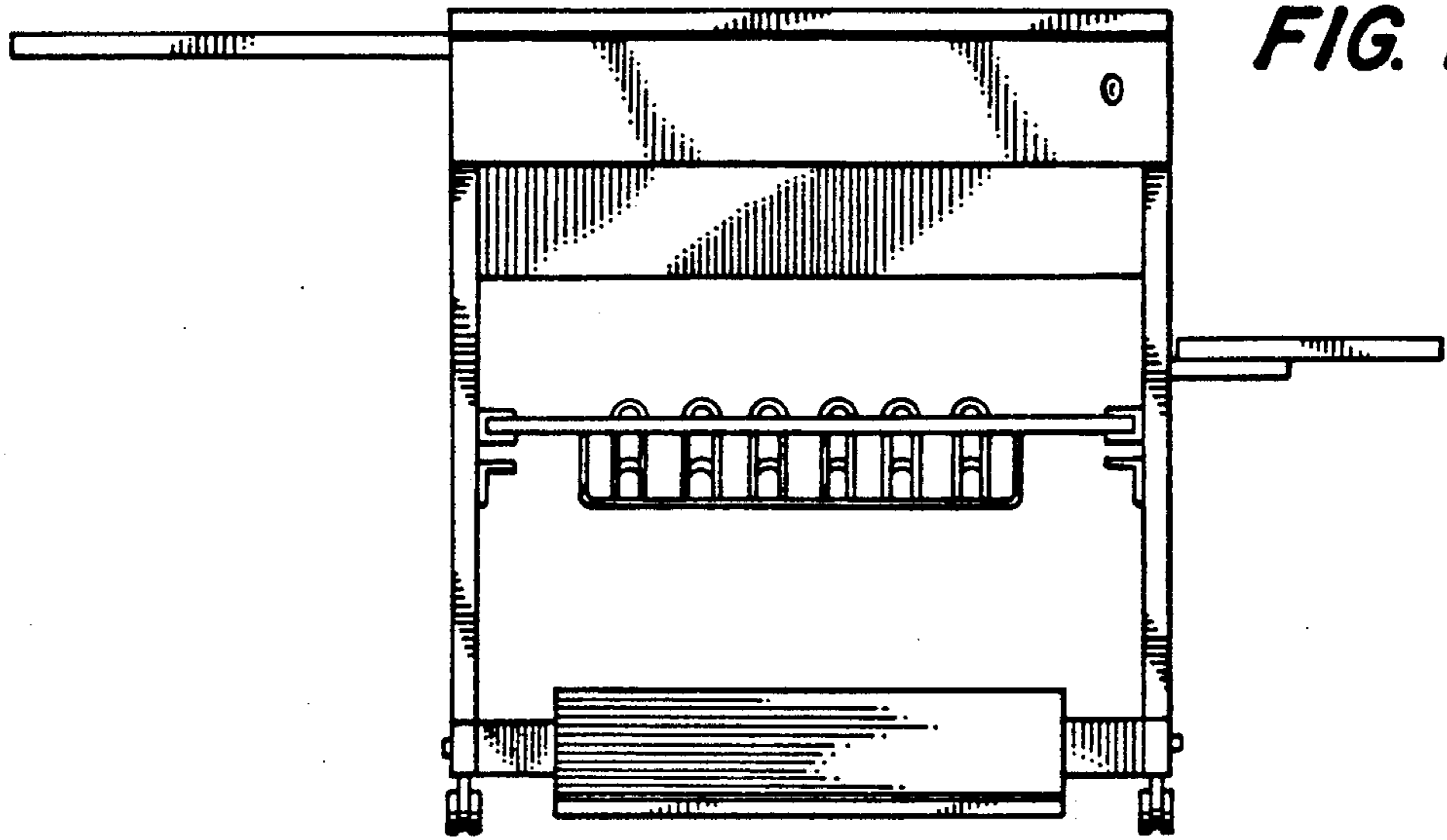
[57] CLAIM

The ornamental design for a computer table, as shown  
and described.

DESCRIPTION

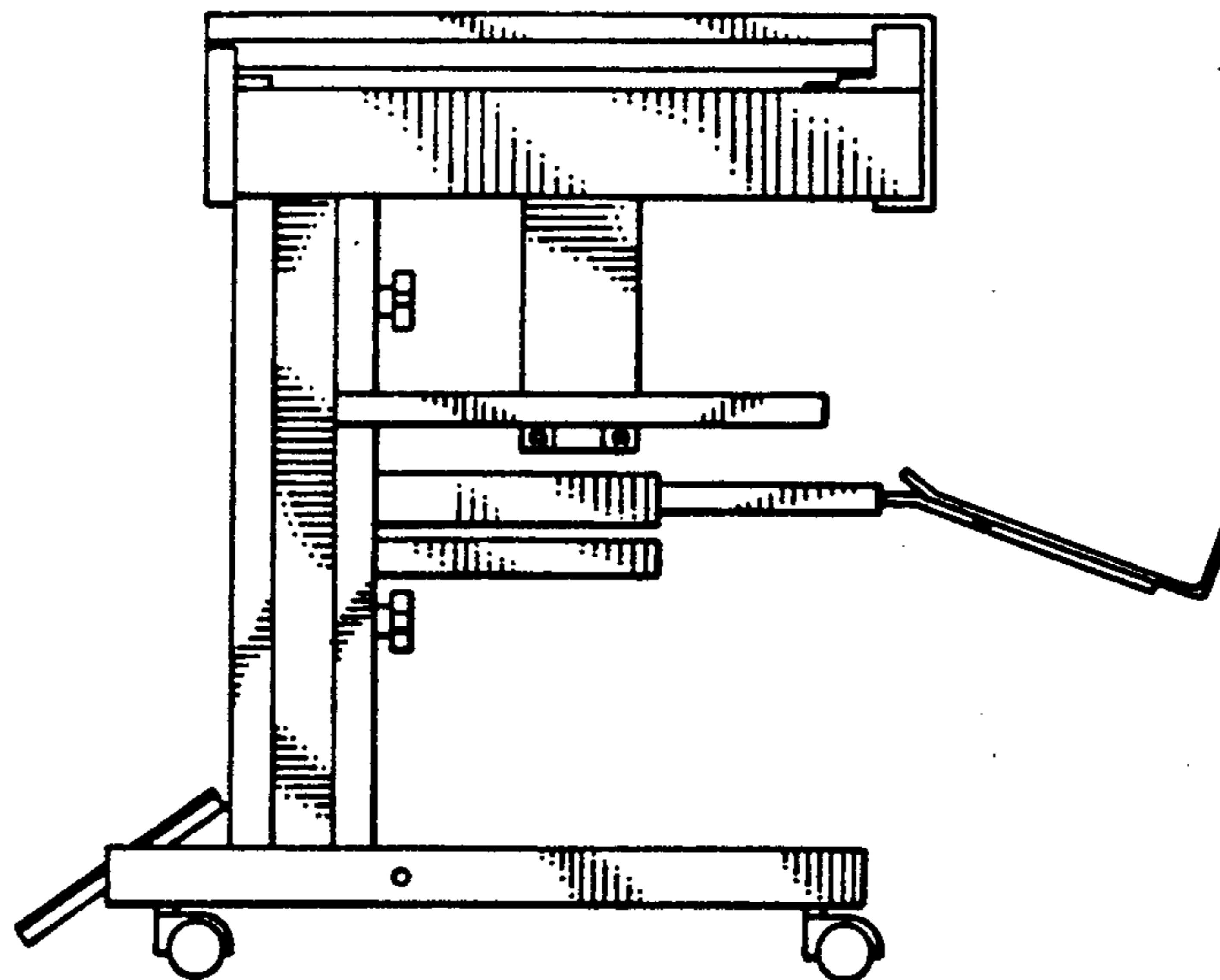
FIG. 1 is a front elevational view of a computer table  
showing our new design;  
FIG. 2 is a right side elevational view thereof;  
FIG. 3 is a left side elevational view thereof;  
FIG. 4 is a rear elevational view thereof;  
FIG. 5 is a top plan view thereof; and  
FIG. 6 is a perspective view thereof.



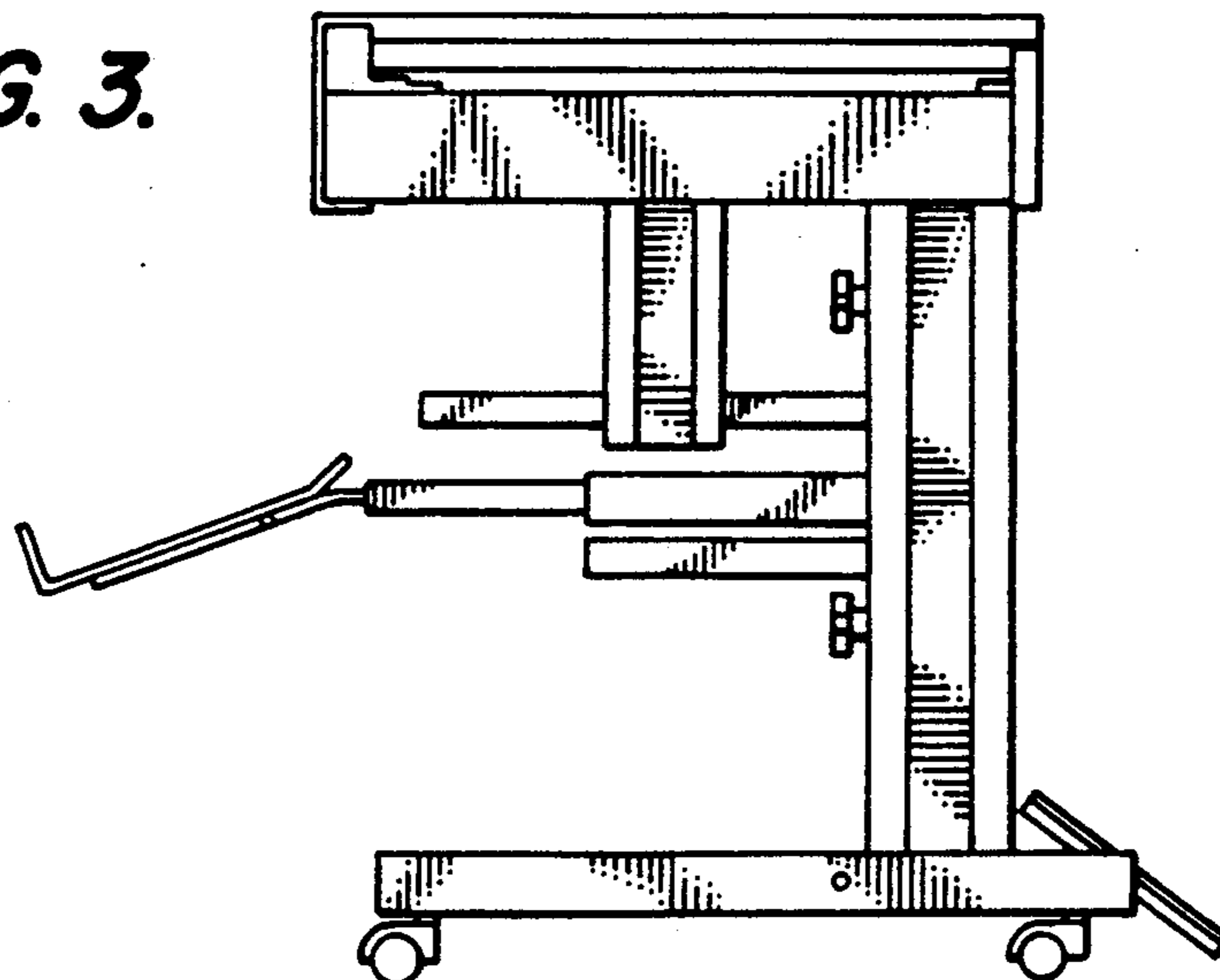


*FIG. 1.*

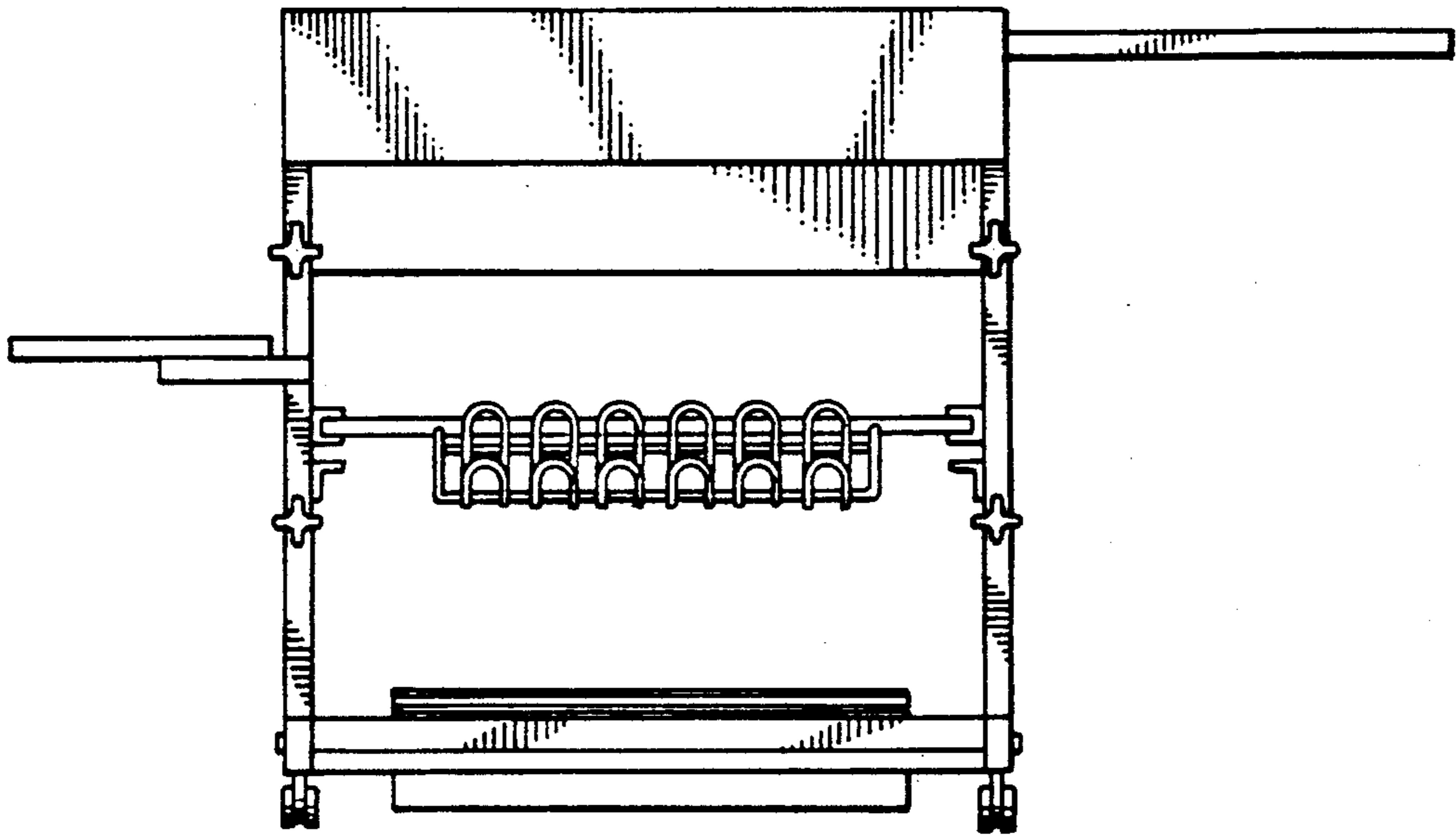
*FIG. 2.*



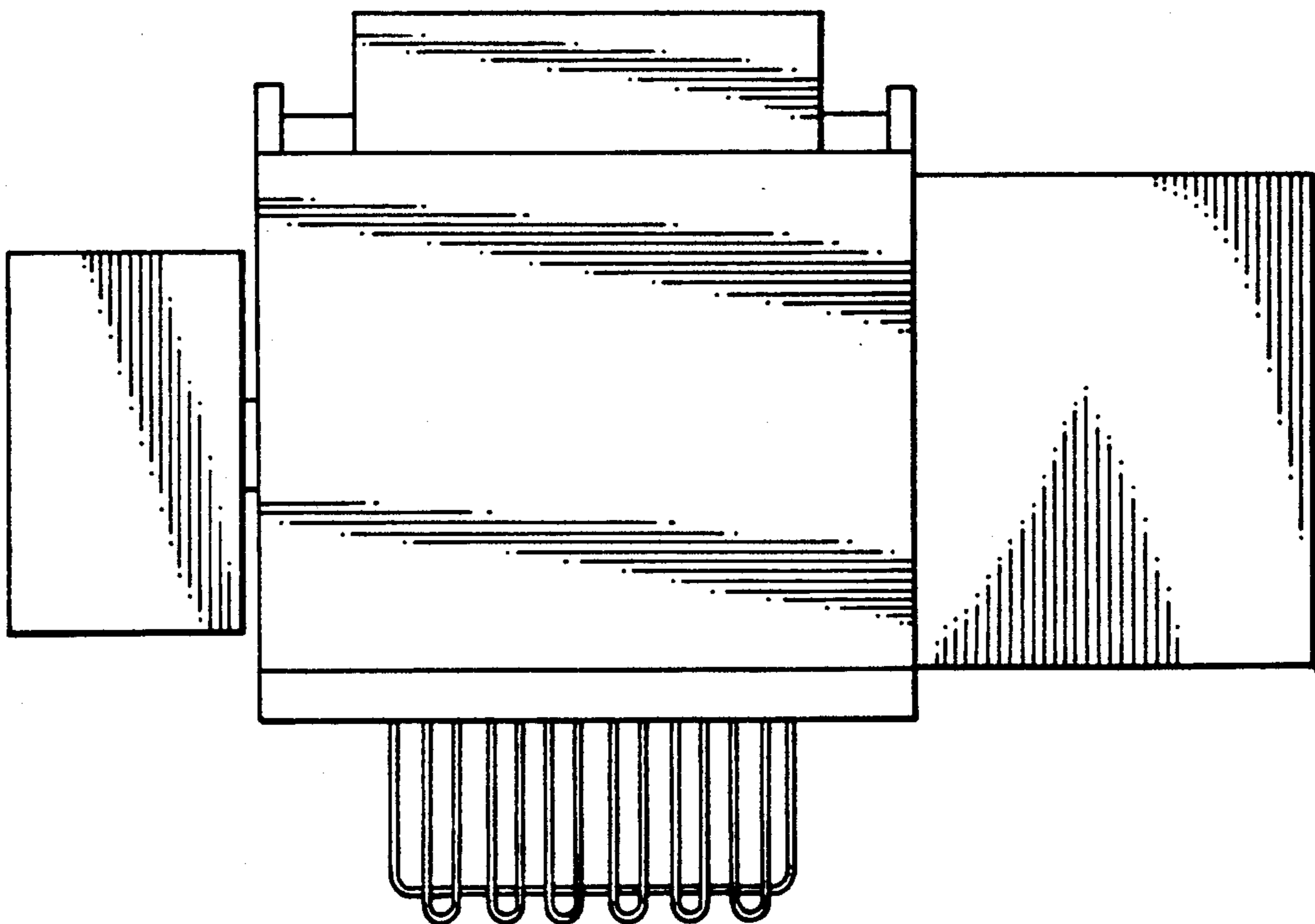
*FIG. 3.*



**FIG. 4.**



**FIG. 5.**



**FIG. 6.**

