

[54] COMBINED VIDEO CAMERA AND VIDEO TAPE RECORDER

[75] Inventors: Hiroshi Ooi; Fumitoshi Sakata, both of Osaka, Japan

[73] Assignee: Sharp Corporation, Osaka, Japan

[\*\*] Term: 14 Years

[21] Appl. No.: 209,776

[22] Filed: Jun. 21, 1988

[30] Foreign Application Priority Data

Dec. 26, 1987 [JP]	Japan	62-53652
[52] U.S. Cl.		D16/202
[58] Field of Search	D16/200, 201, 202-205, D16/208, 209; 354/79, 82, 288; 358/229, 906, 909	

[56] References Cited

U.S. PATENT DOCUMENTS

D. 291,571	9/1987	Toyoda et al.	D16/202
D. 294,570	3/1988	Kurokawa	D16/202
D. 304,595	11/1989	Nishiyama et al.	D16/202
D. 305,032	12/1989	Nishiyama et al.	D16/202
4,885,643	12/1989	Ichimura et al.	358/229

OTHER PUBLICATIONS

Modern Photography, Aug. 1987, p. 112 (Panasonic PV-5150; Sharp VL-C77; and Sony Handcam CCD-V9 Cameras).

Popular Photography, Sep. 1987, p. 73 (Sharp VL-C7-3UA VHS-C and Hitachi VM-C30A VHS-C Cameras).

Video Review, 11/87, p. 74 (JVC/6RS-55U).

Primary Examiner—Bernard Ansher

Assistant Examiner—Adir Aronovich

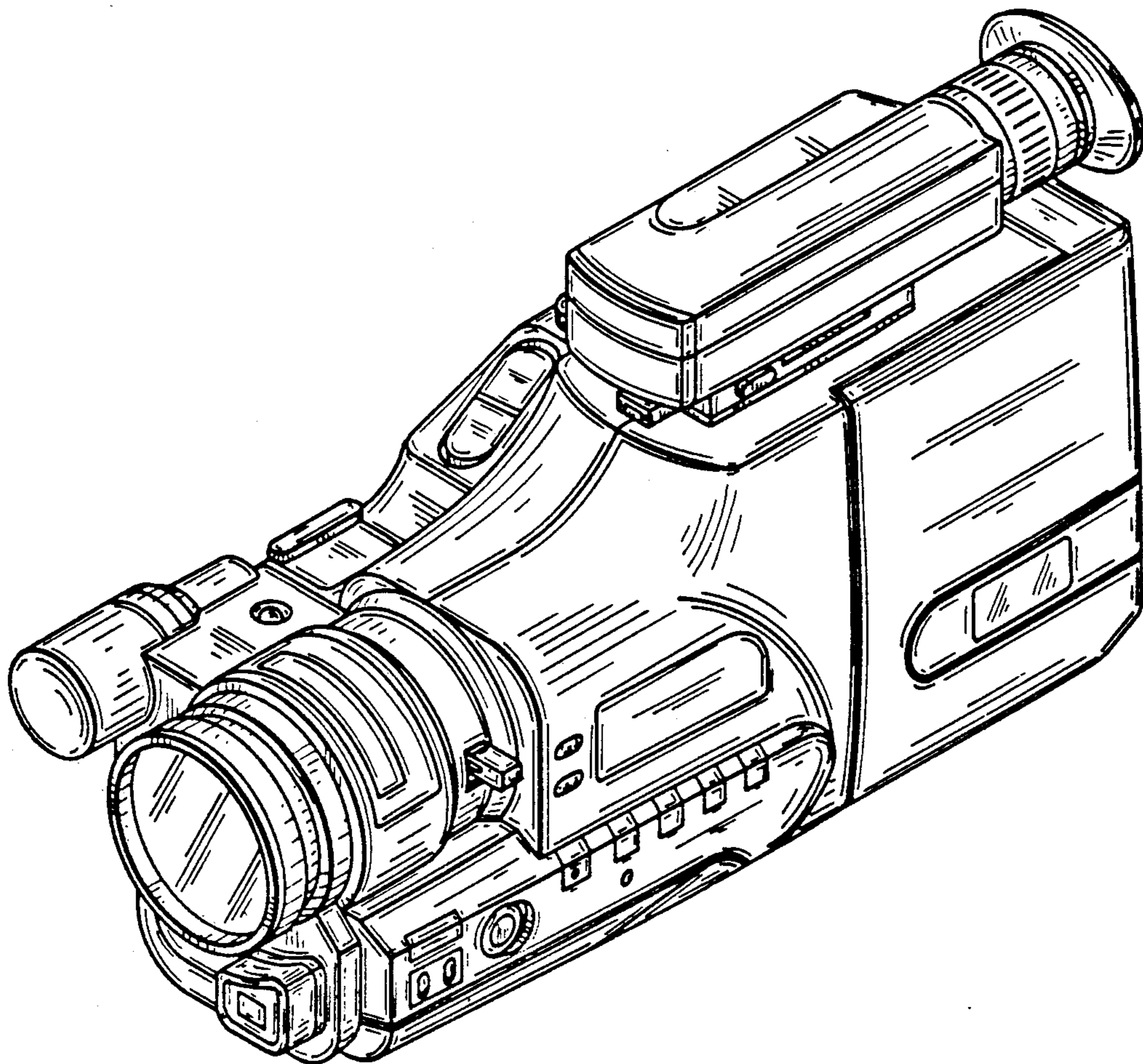
Attorney, Agent, or Firm—Flehr, Hohbach, Test, Albritton & Herbert

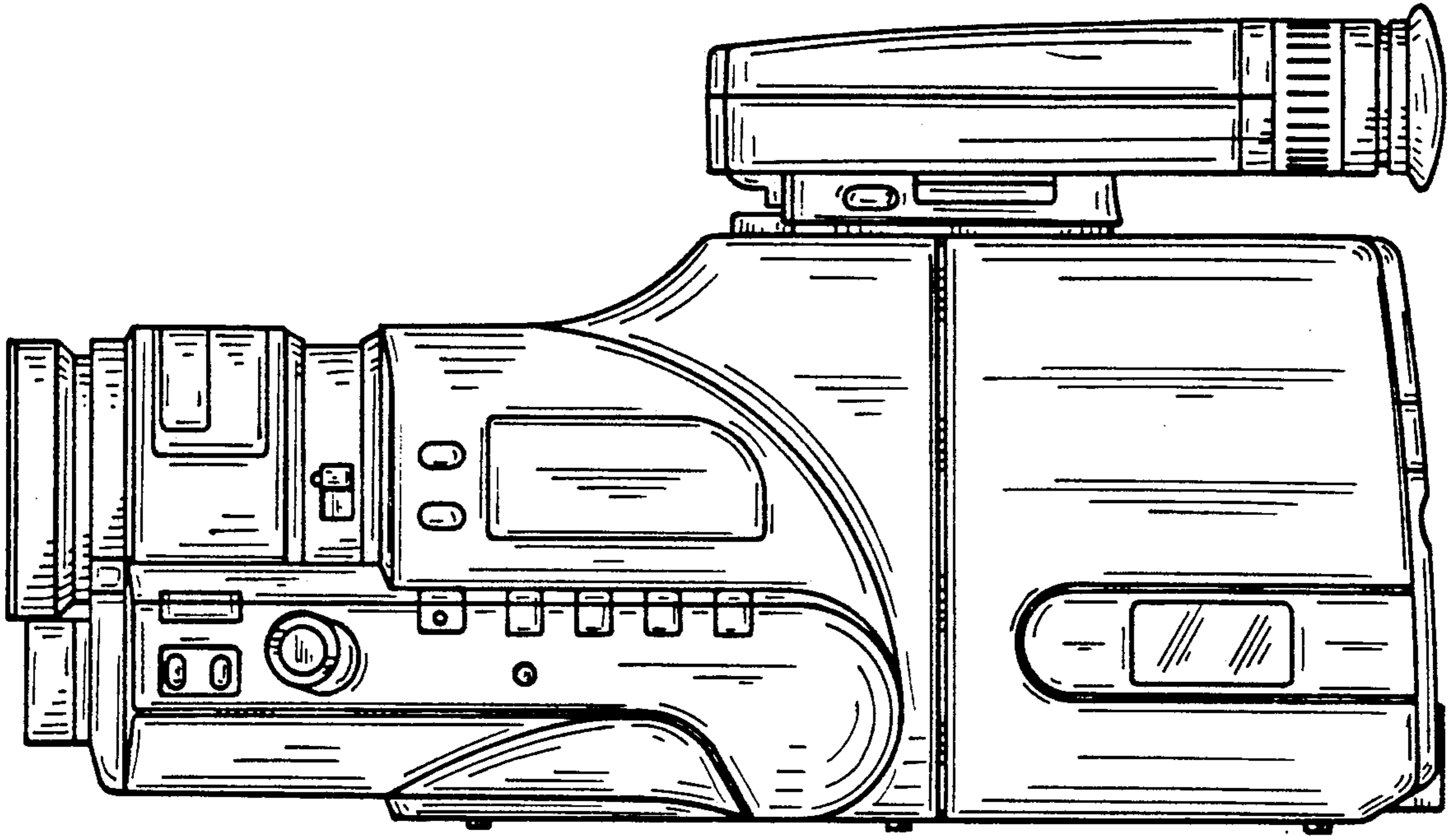
[57] CLAIM

The ornamental design for a combined video camera and video tape recorder, as shown.

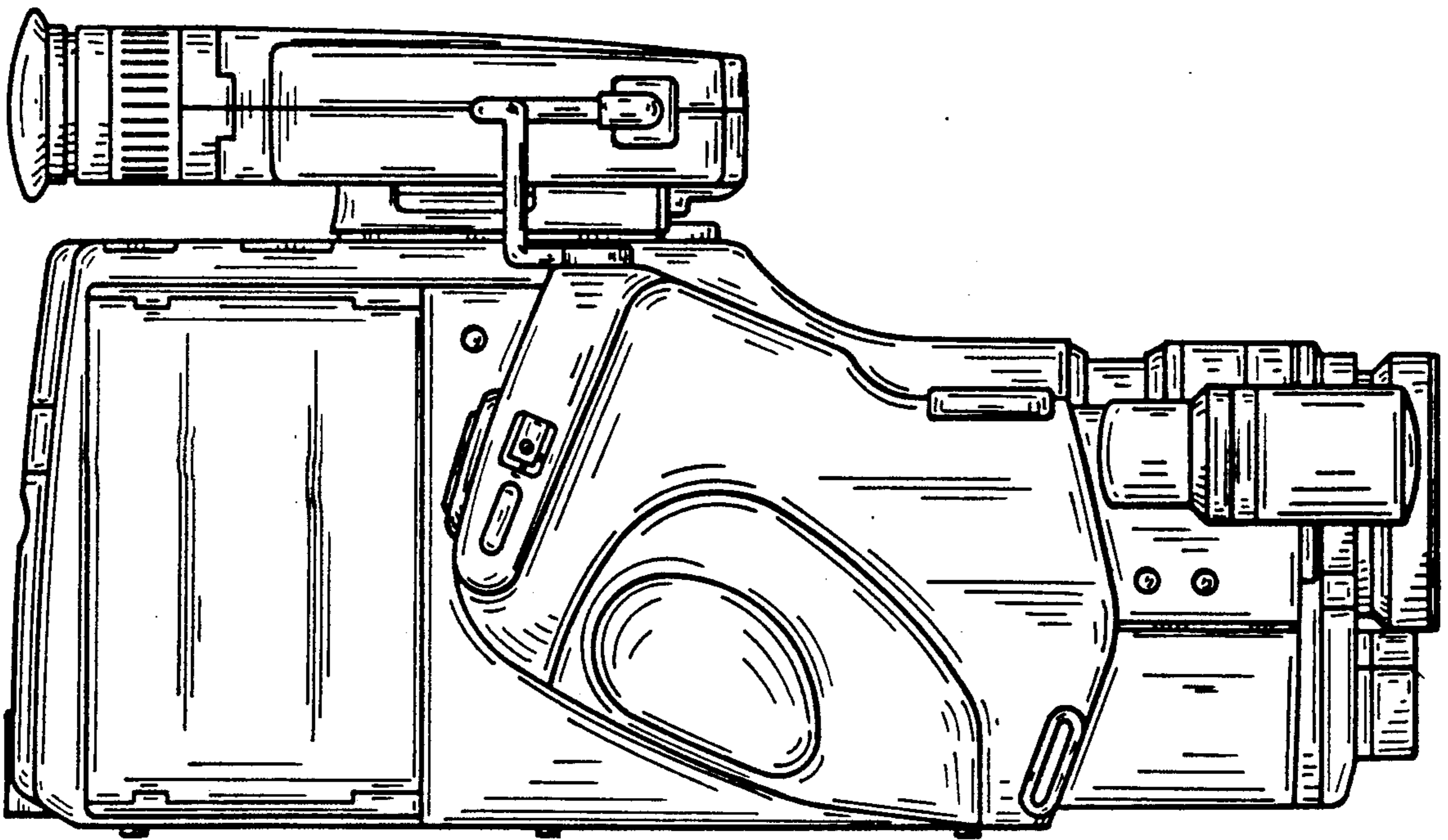
DESCRIPTION

FIG. 1 is a right side elevational view of the camera with video tape recorder showing our new design; FIG. 2 is a left side elevational view thereof; FIG. 3 is a top plan view thereof; FIG. 4 is a bottom plan view thereof; FIG. 5 is a front elevational view thereof; FIG. 6 is a rear elevational view thereof; and FIG. 7 is a top, front perspective view thereof.

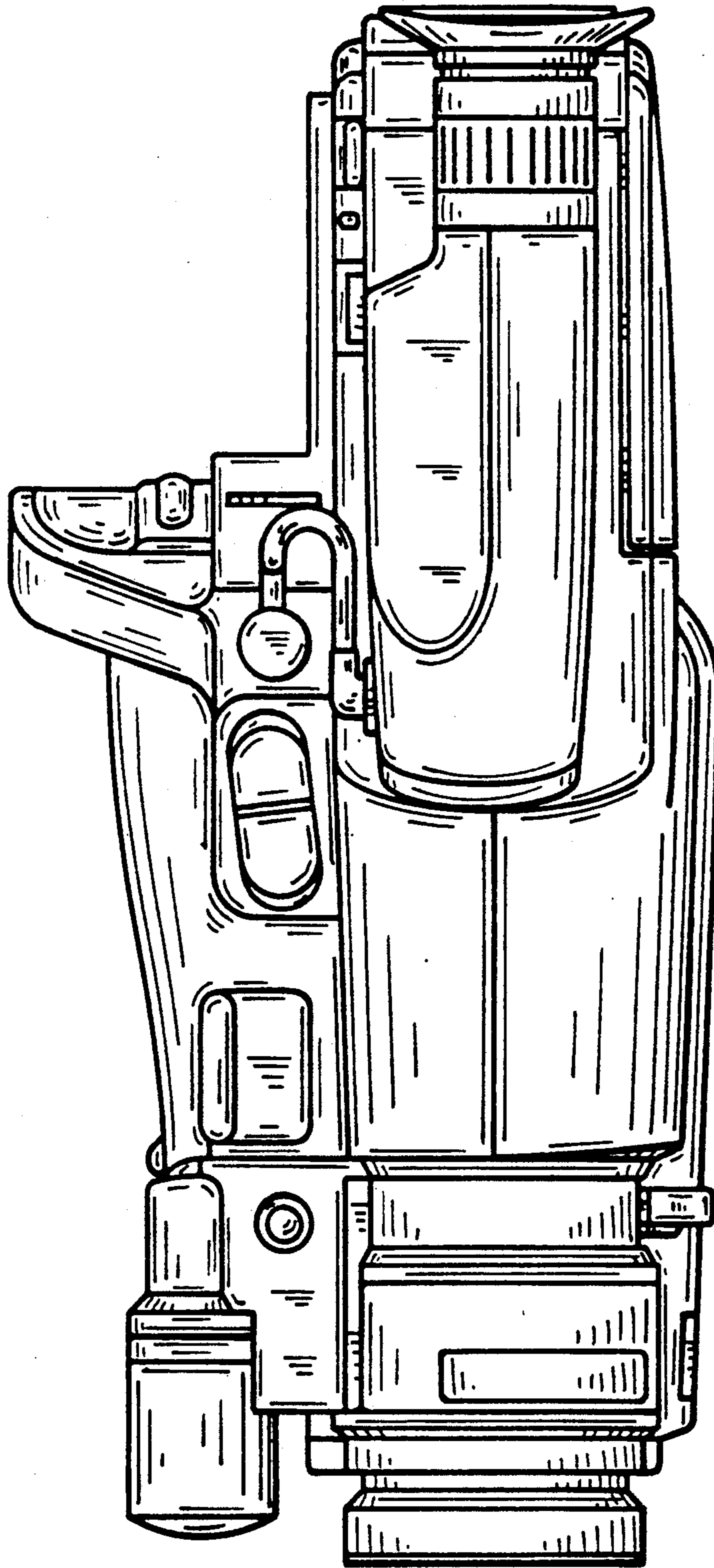




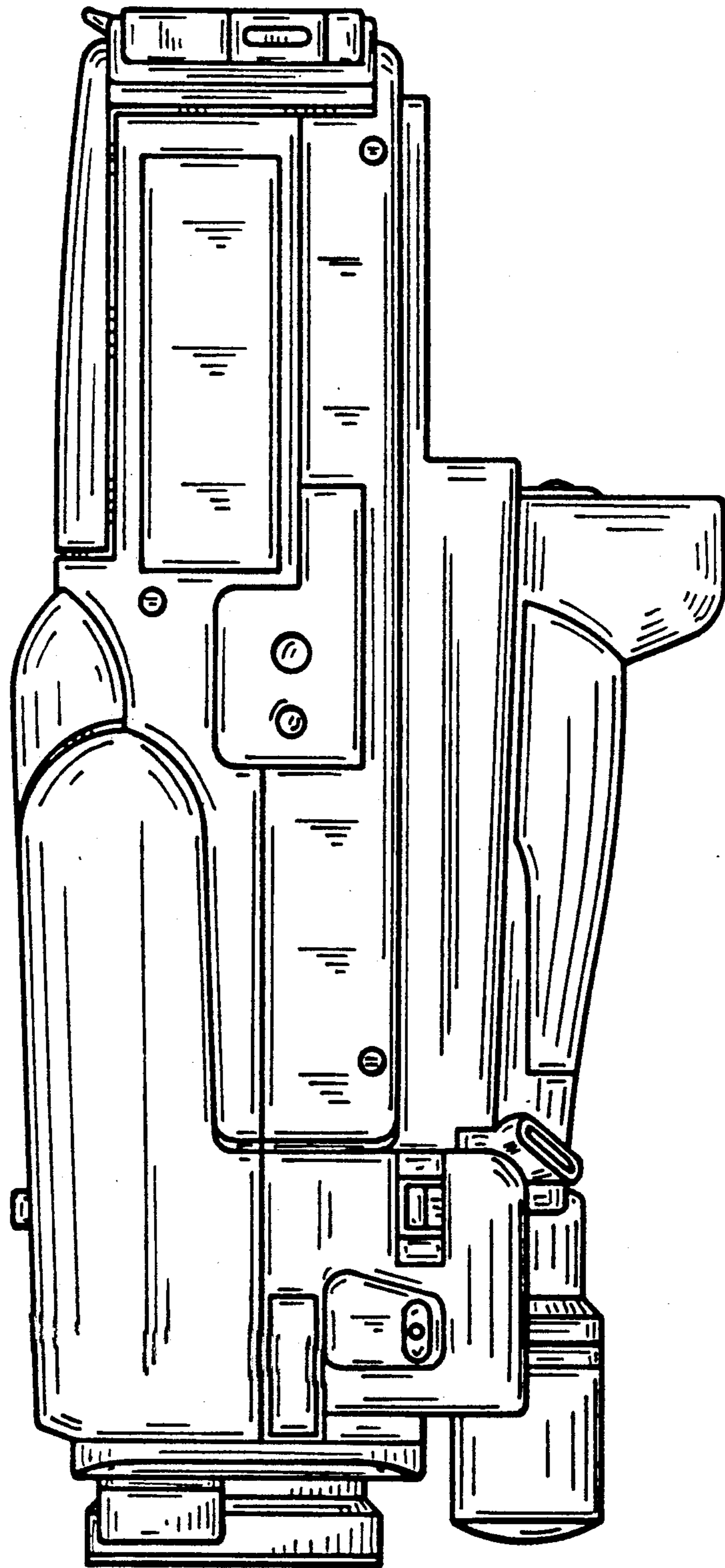
FIG\_1



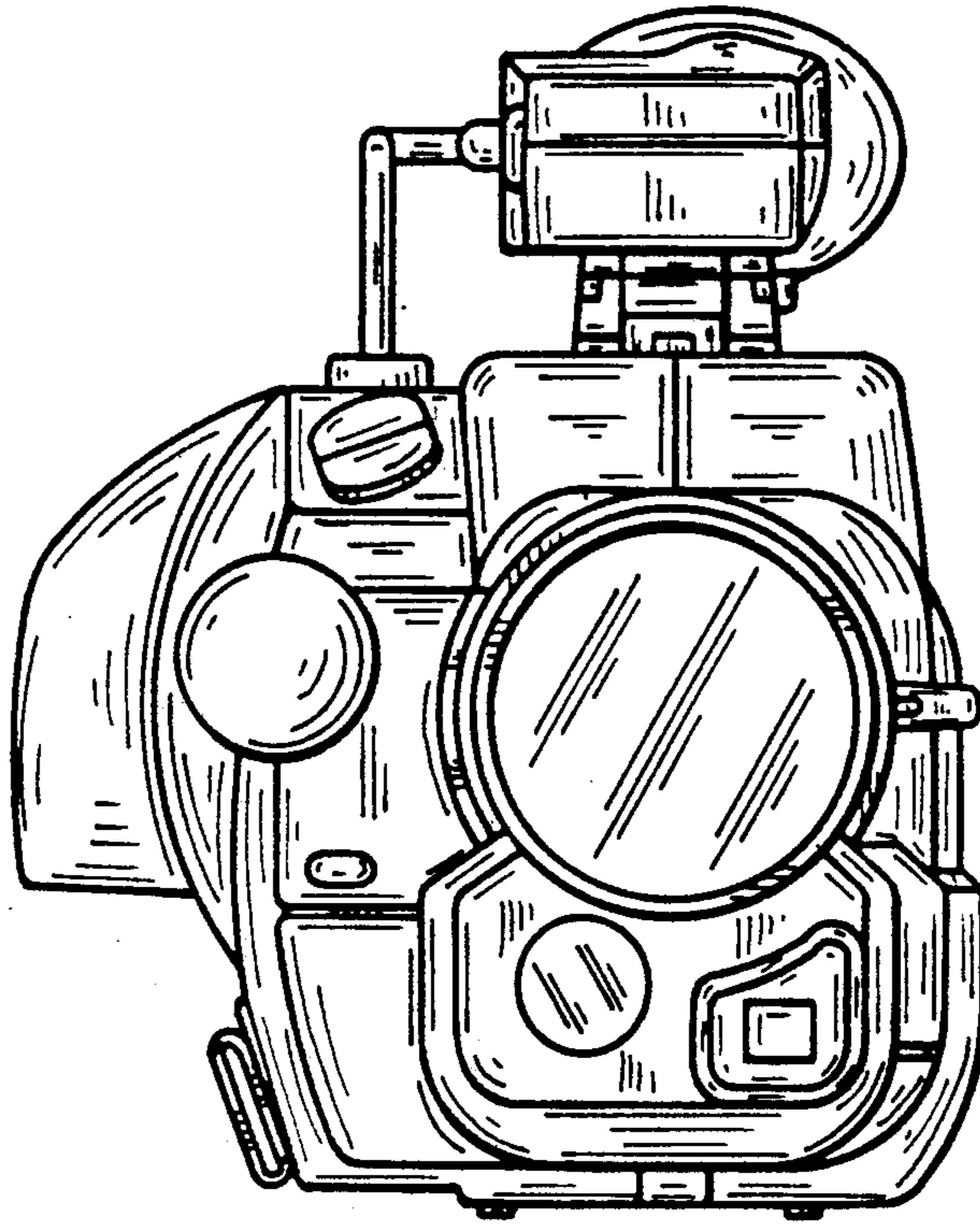
FIG\_2



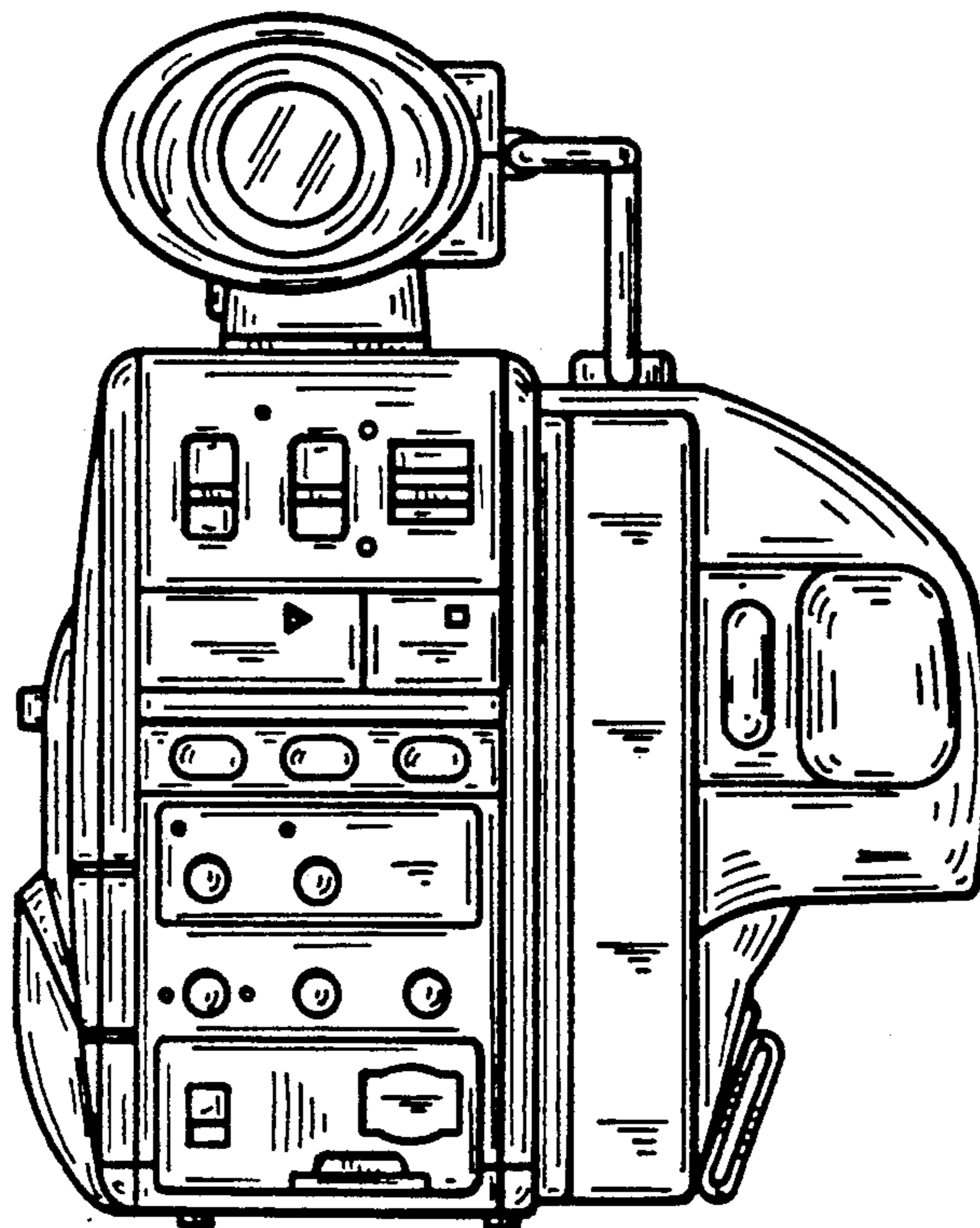
**FIG\_3**



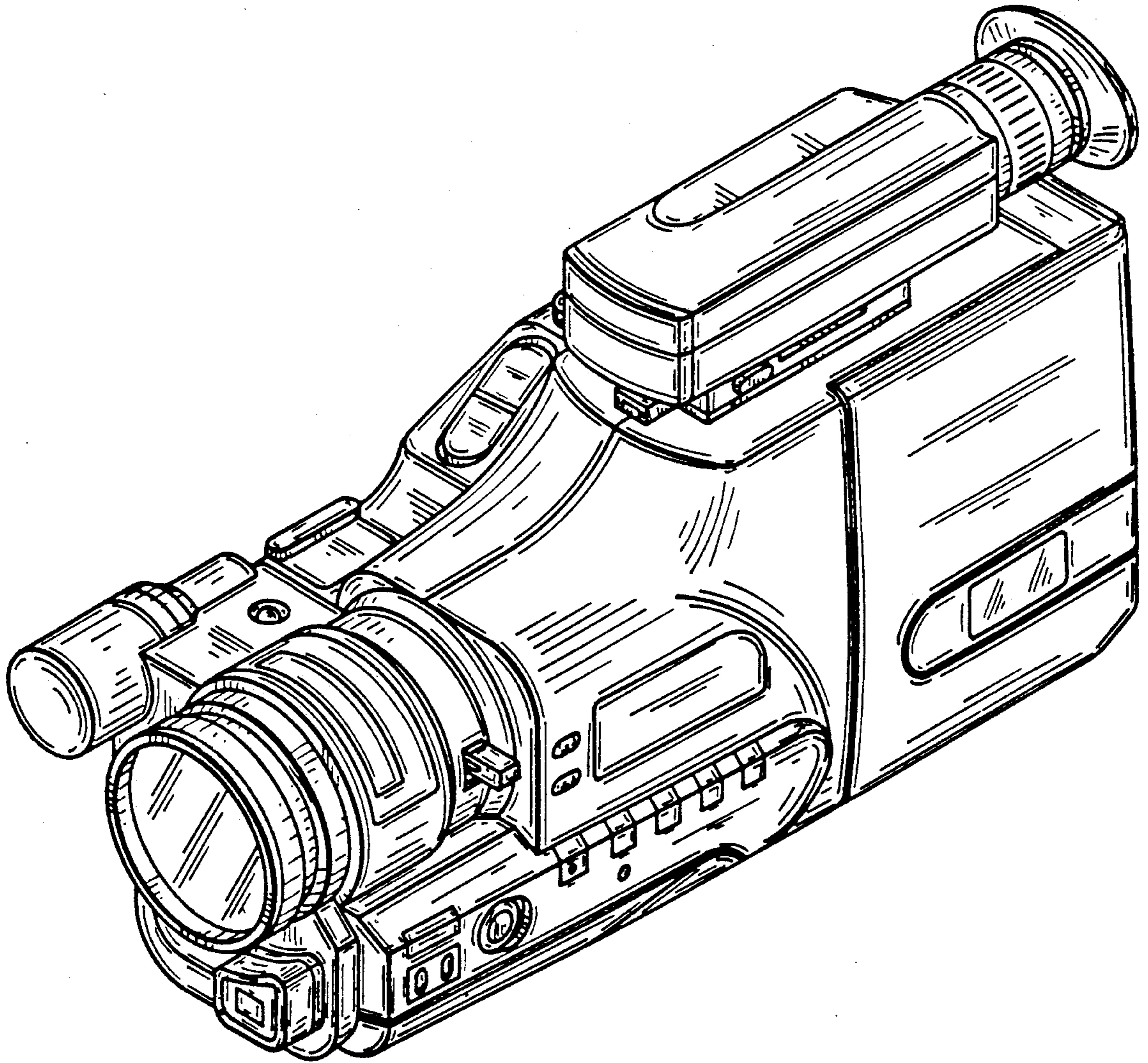
**FIG\_4**



**FIG\_5**



**FIG\_6**



FIG\_7