

[54] COMPUTER DISC WITH TRANSPARENT WINDOW FOR SLIP-IN LABEL

Attorney, Agent, or Firm—Mathews, Woodbridge & Collins

[76] Inventor: Lawrence L. Kantrowitz, 1480 Pleasant Valley Way, West Orange, N.J. 07052

[57] CLAIM

The ornamental design for a computer disc with transparent window for slip-in label, as shown and described.

[**] Term: 14 Years

DESCRIPTION

[21] Appl. No.: 298,502

FIG. 1 is a top, side, perspective view of a computer disc with transparent window for slip-in label showing my new design, the label being inserted;

[22] Filed: Jan. 18, 1989

FIG. 2 is a top, side, perspective view thereof wherein the label is partially inserted;

[52] U.S. Cl. D14/114

[58] Field of Search D14/100, 114; 360/97-99, 60, 66, 132, 133; 206/312, 444; 273/148 B, 1 GC; 369/270, 271, 282

FIG. 3 is an enlarged fragmentary end view thereof as seen in the direction of line 3-3 of FIG. 1;

FIG. 4 is an enlarged fragmentary sectional view thereof taken along line 4-4 of FIG. 2;

[56] References Cited

U.S. PATENT DOCUMENTS

- D. 287,597 1/1987 Naoi D14/114
- D. 292,292 10/1987 Saito et al. D14/114
- D. 298,251 10/1988 Kato et al. D14/114
- 4,549,240 10/1985 Hodges 360/60 X
- 4,618,061 10/1986 Rubinfeld 206/312 X
- 4,740,948 4/1988 Nakamori et al. 206/312 X

FIG. 5 is a reduced top plan view thereof wherein the label is inserted;

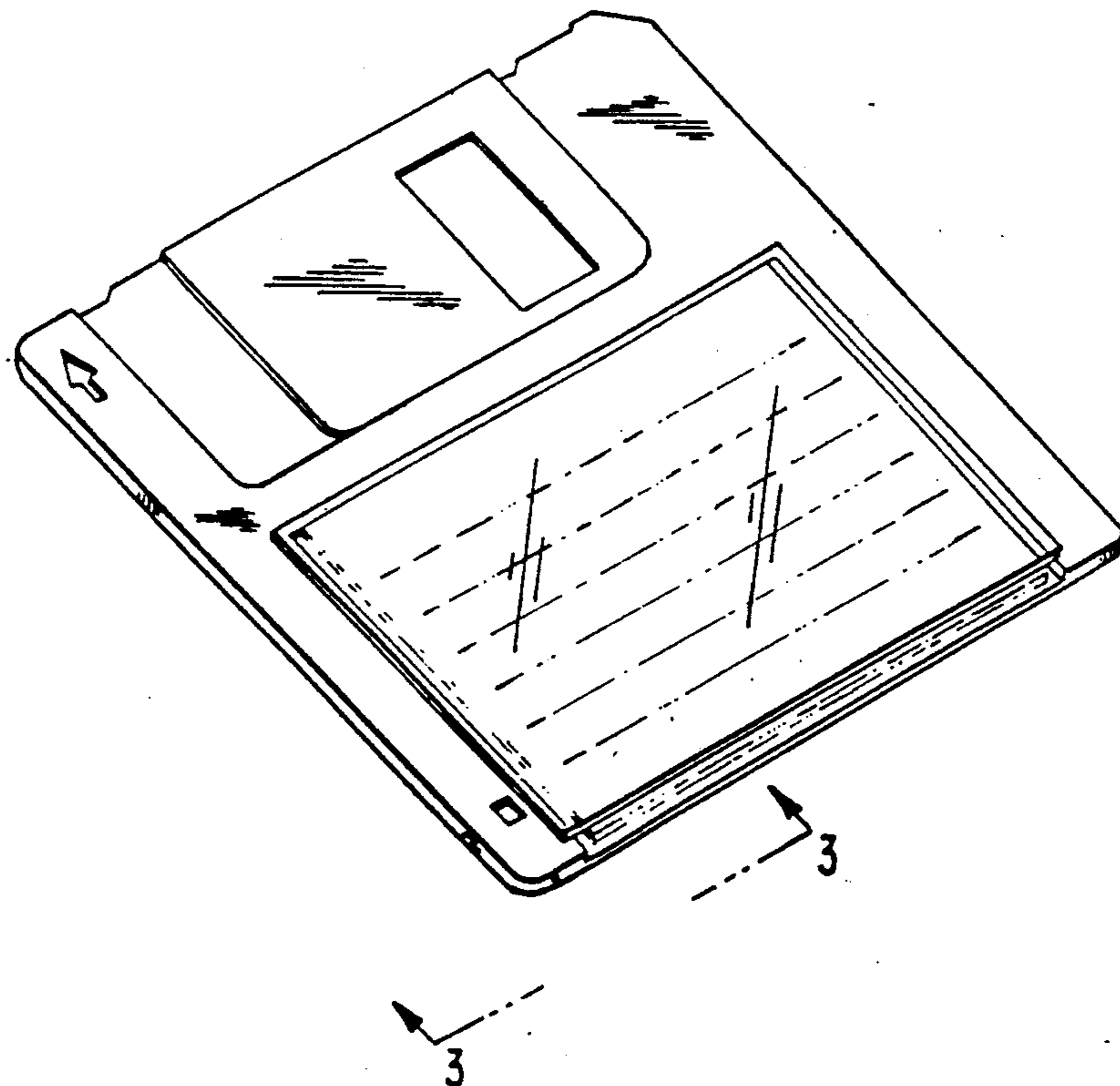
FIG. 6 is a reduced bottom plan view thereof;

FIG. 7 is a reduced top plan view thereof wherein the transparent window is removed and the label is inserted therein;

FIGS. 8, 9, 10 and 11 are respectively reduced rear, front, right and left side elevational views thereof.

The label is shown in broken lines in FIGS. 1, 2, 5 and 7 for illustrative purposes only and forms no part of the claimed design.

Primary Examiner—Wallace R. Burke
Assistant Examiner—Freda S. Nunn



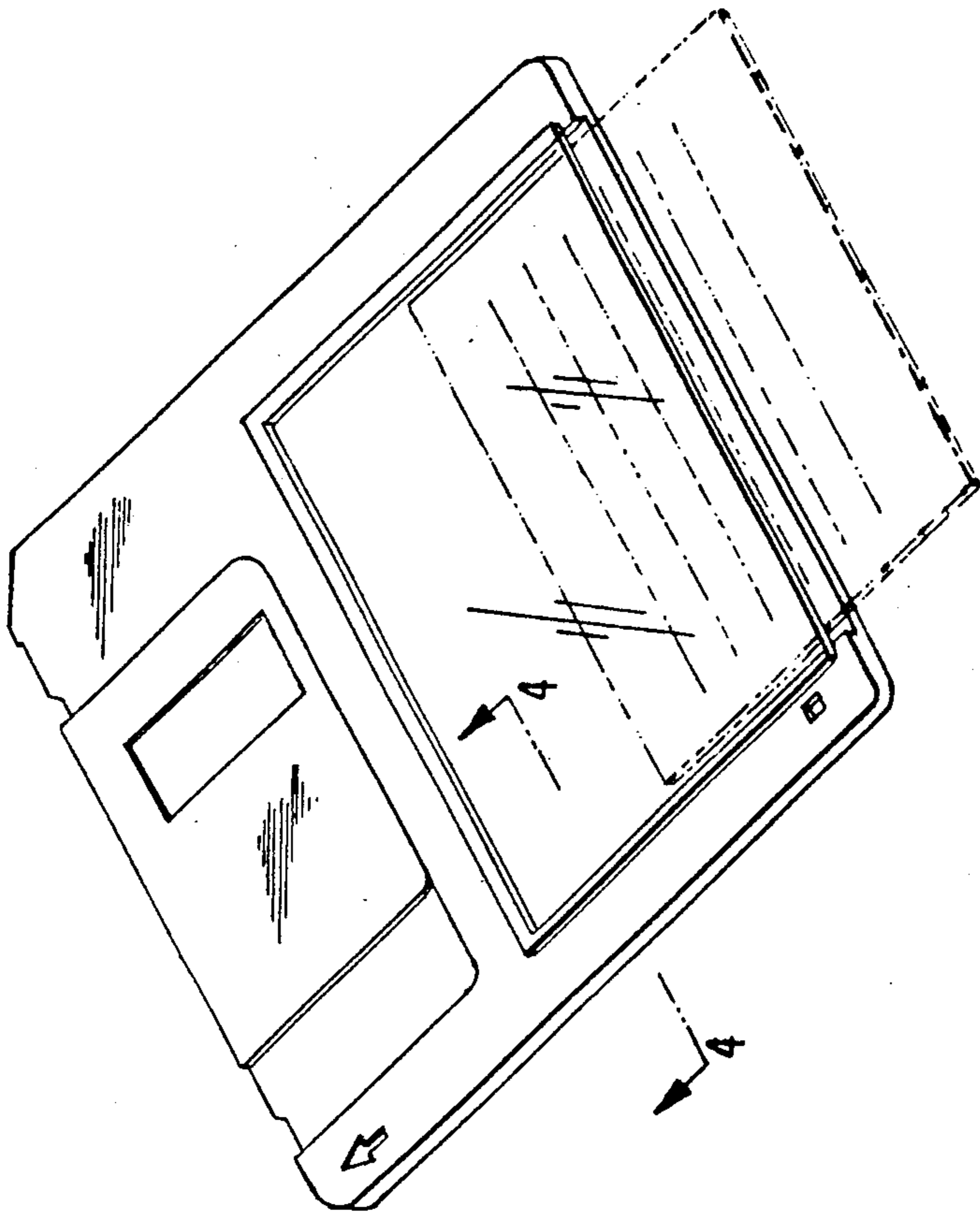


FIG. 2

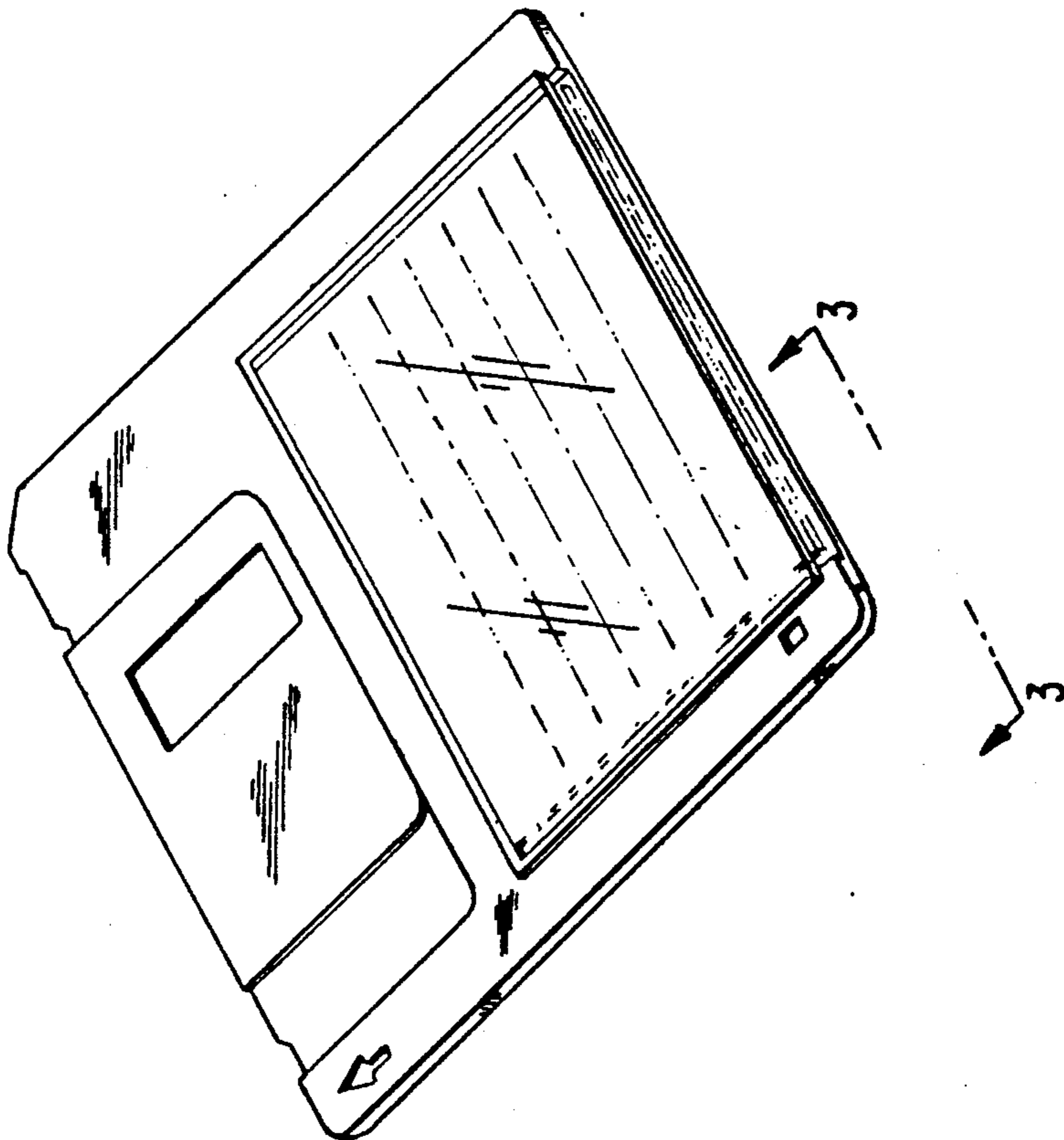


FIG. 1

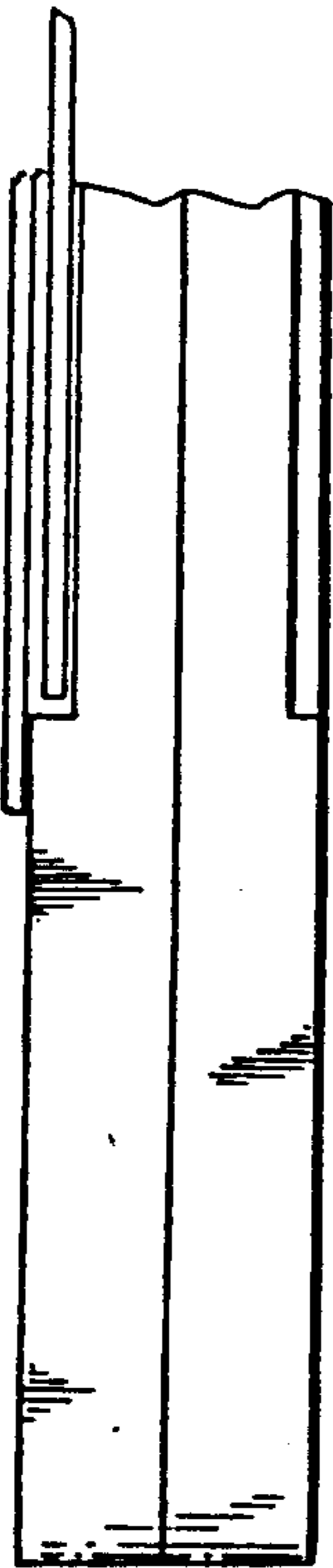


FIG. 3

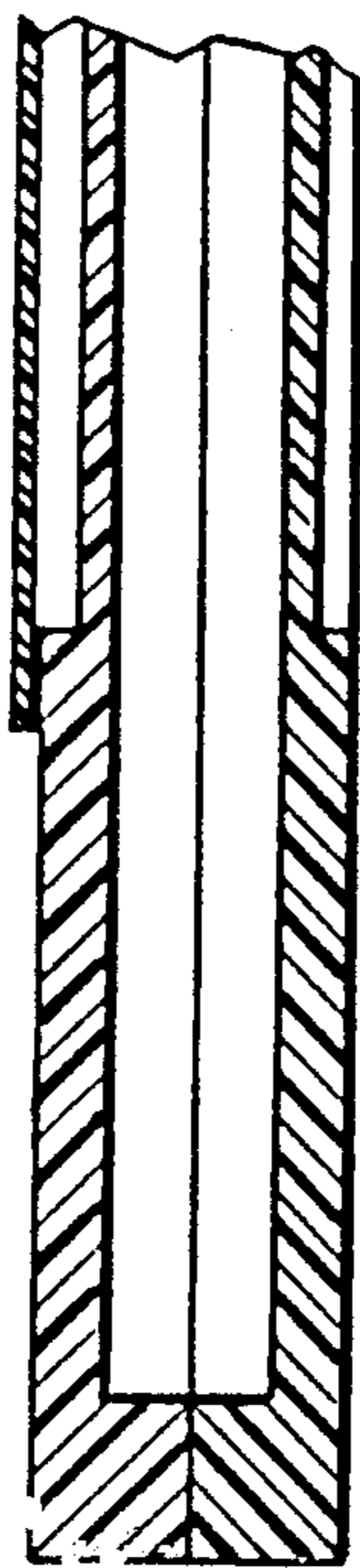


FIG. 4

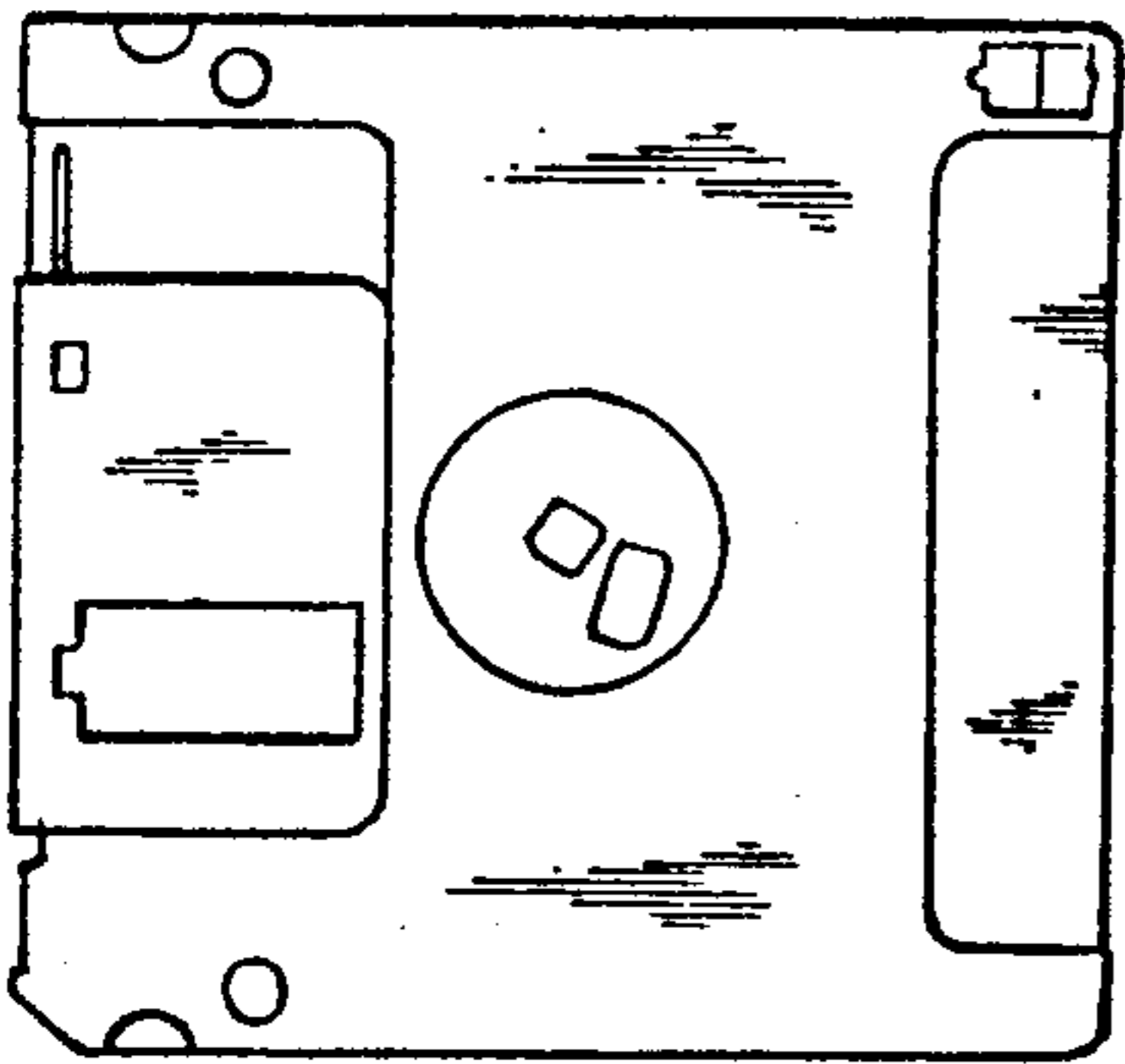


FIG. 6

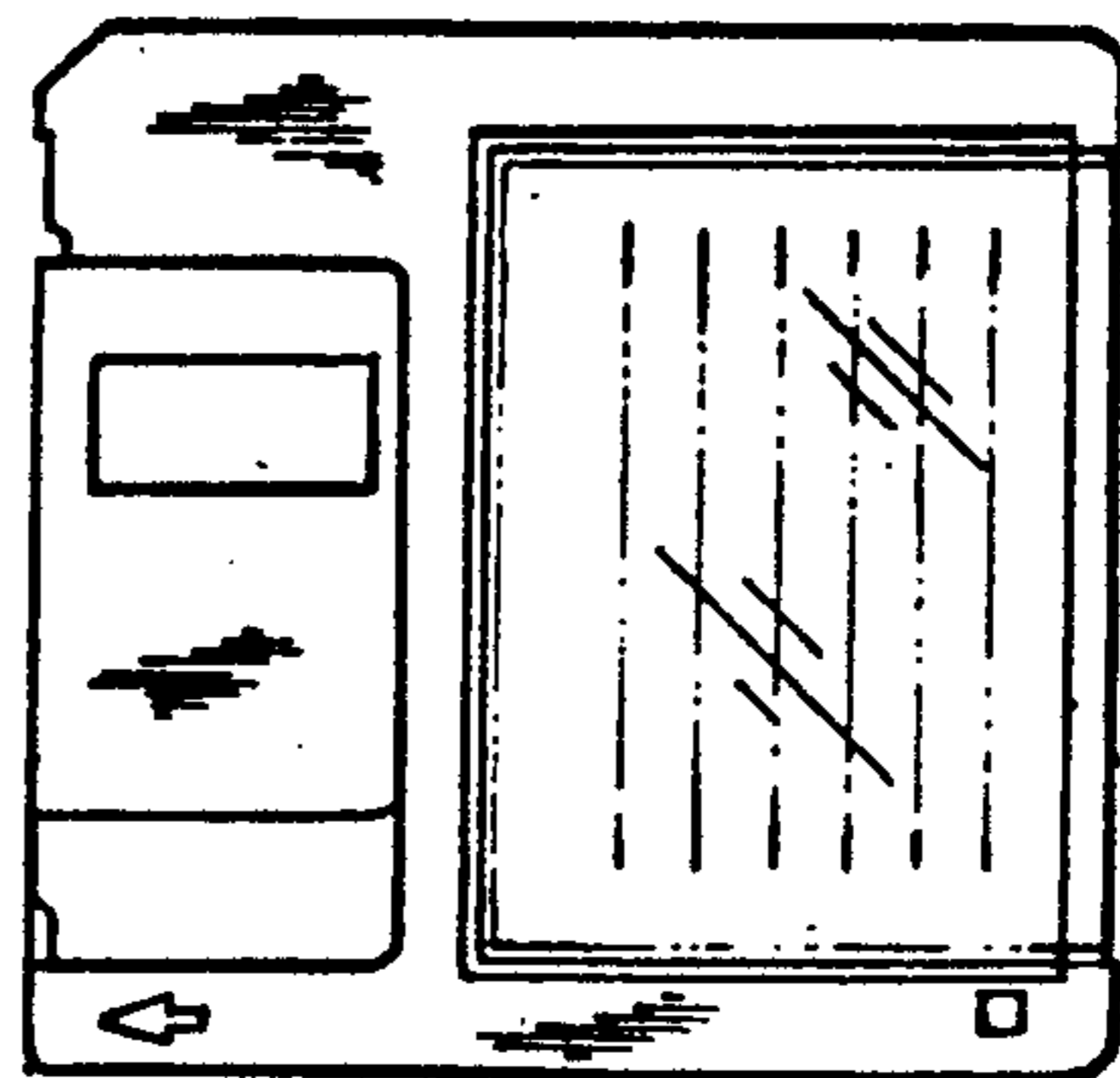


FIG. 5

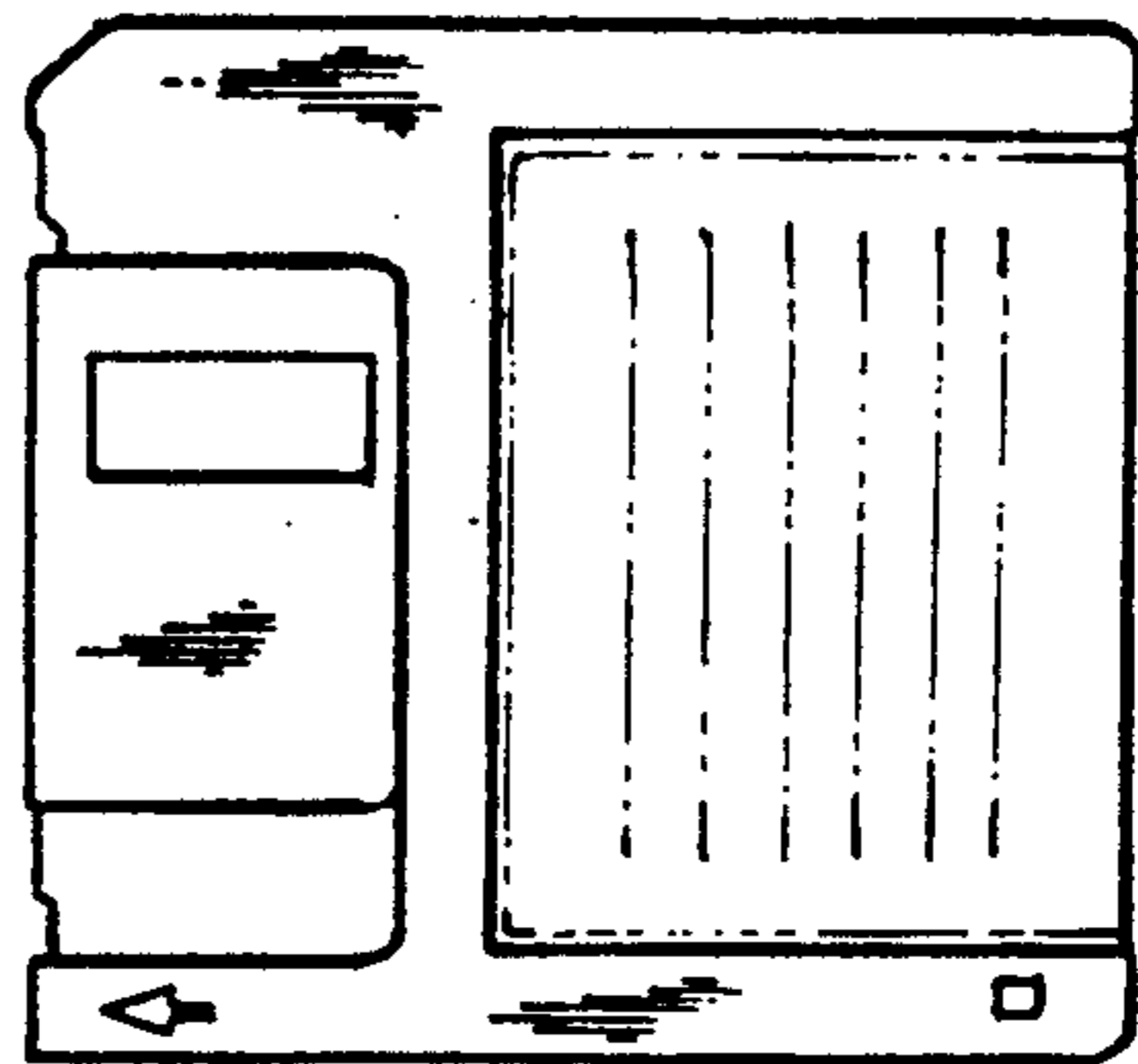


FIG. 7



FIG. 8



FIG. 9



FIG. 10



FIG. 11