

[54] COMBINED HEAT SINK AND RADIATOR FOR ELECTRONIC EQUIPMENT

[75] Inventor: David V. Dickey, San Luis Obispo, Calif.

[73] Assignee: Product R&D Corporation, San Luis Obispo, Calif.

[**] Term: 14 Years

[21] Appl. No.: 297,535

[22] Filed: Jan. 13, 1989

[52] U.S. Cl. D13/179

[58] Field of Search D13/179; 357/81; 174/16.3; 361/386, 388; 165/80.3

[56] References Cited

U.S. PATENT DOCUMENTS

D. 264,963	6/1982	McComas	D13/179
D. 285,301	8/1986	Johnson	D13/179
3,420,942	1/1969	Kadah	174/16.3
3,593,064	7/1971	Eitra et al.	361/388
4,000,509	12/1976	Jarvela	351/81
4,535,384	7/1985	Wakabayashi et al.	174/16.3 X
4,628,991	12/1986	Hsiao et al.	165/80.2 X
4,884,331	12/1989	Hinshan	165/80.3 X

FOREIGN PATENT DOCUMENTS

1490680 5/1973 Fed. Rep. of Germany 361/386
0266898 11/1988 Japan 361/386

OTHER PUBLICATIONS

Removable Cap in IBM Tech. Disclosure Bulletin, vol. 24, No. 9, 2-82, Located with 361-386, non-patent literature.

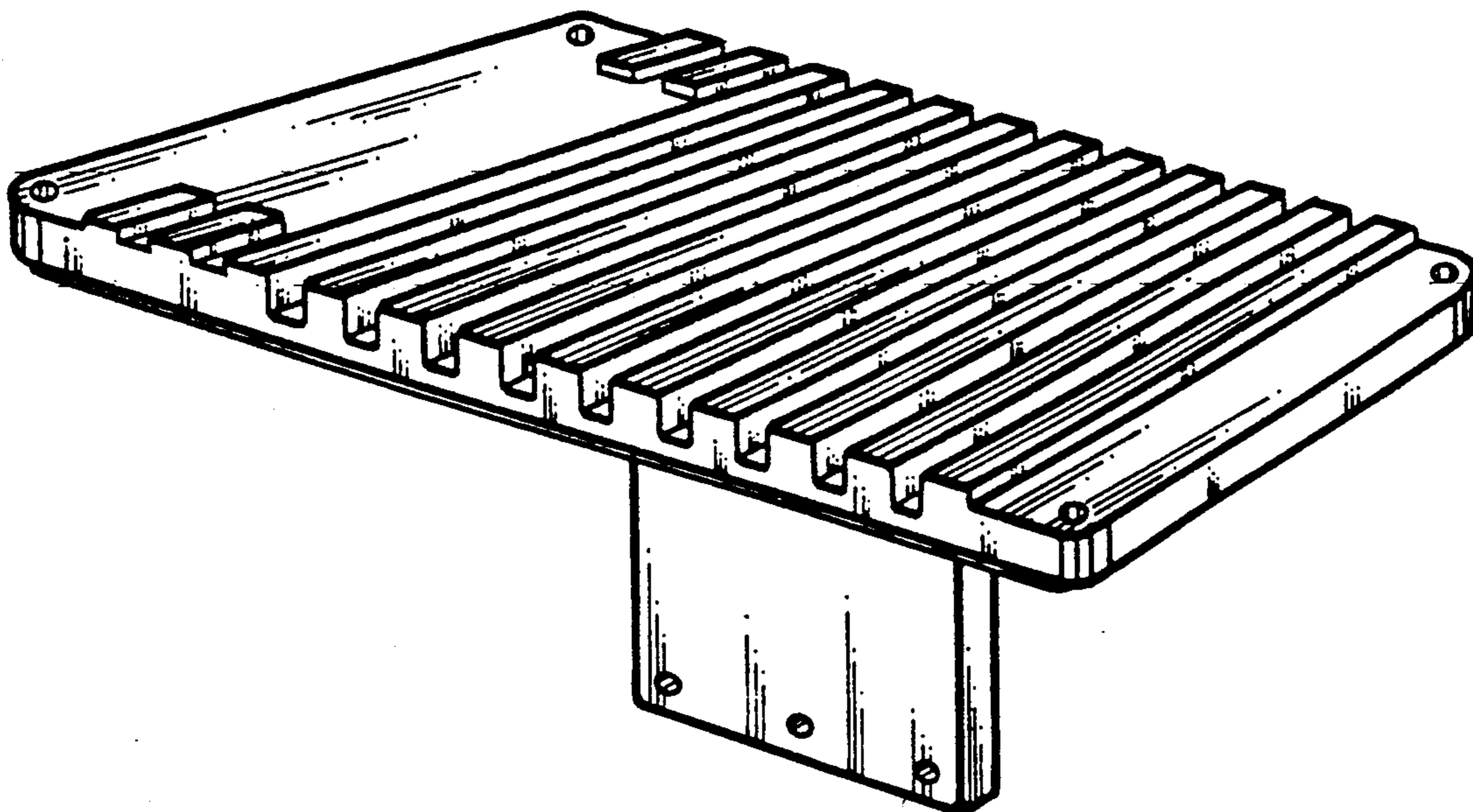
Primary Examiner—Susan J. Lucas
Assistant Examiner—Joel Sincavage
Attorney, Agent, or Firm—Daniel C. McKown

[57] CLAIM

The ornamental design for a combined heat sink and radiator for electronic equipment, as shown and described.

DESCRIPTION

FIG. 1 is a top, right and front perspective view of a combined heat sink and radiator for electronic equipment showing my new design;
FIG. 2 is a right side elevational view thereof;
FIG. 3 is a left side elevational view thereof;
FIG. 4 is a bottom plan view thereof;
FIG. 5 is a front elevational view thereof; and,
FIG. 6 is a rear elevational view thereof.



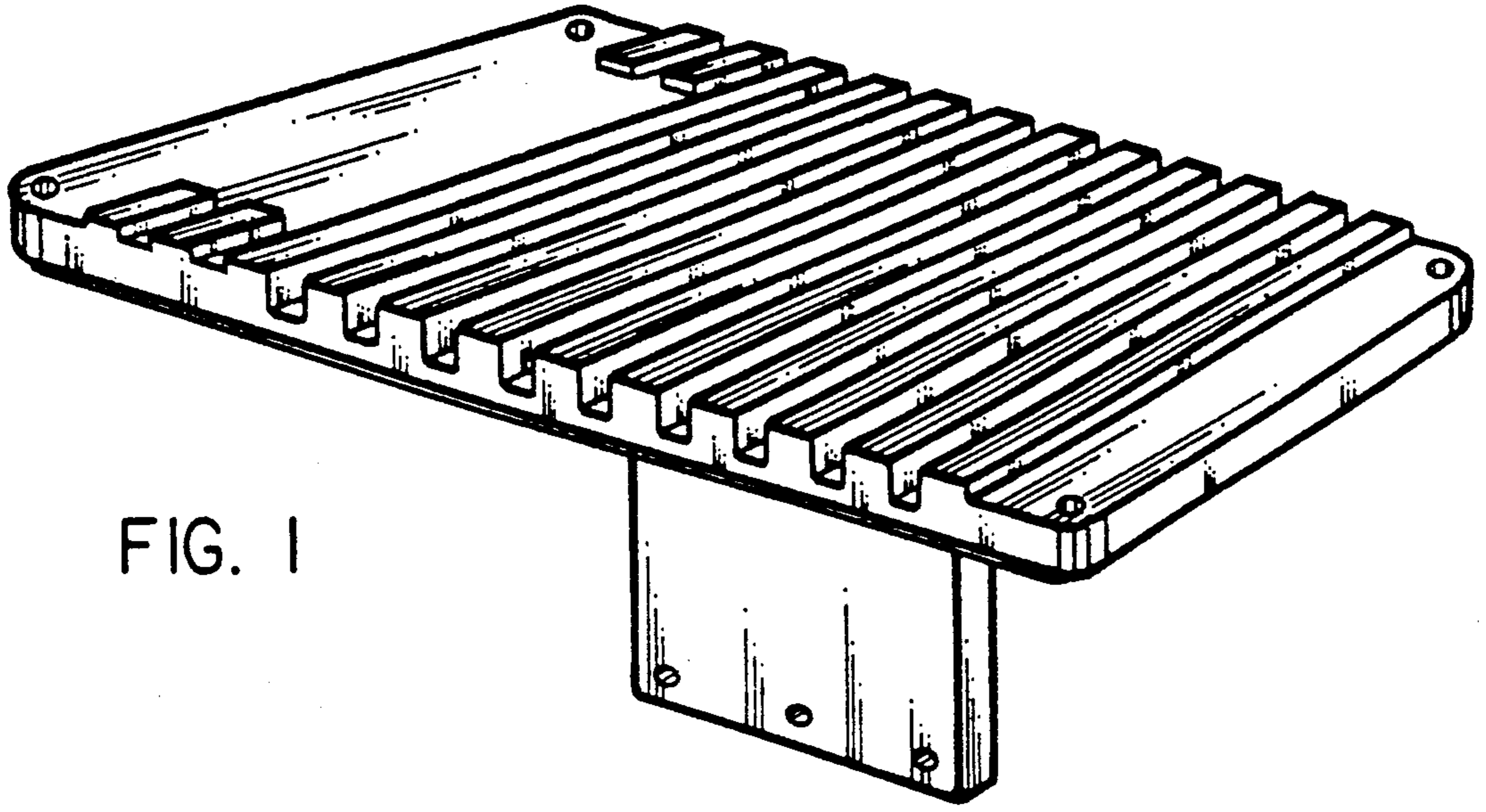


FIG. 1

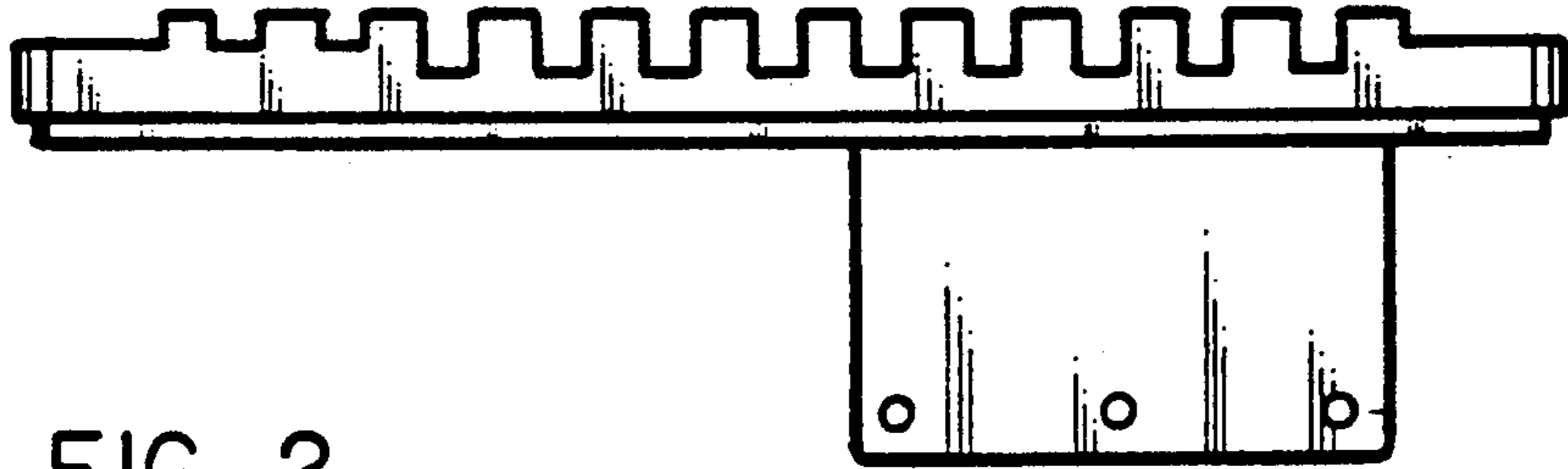


FIG. 2

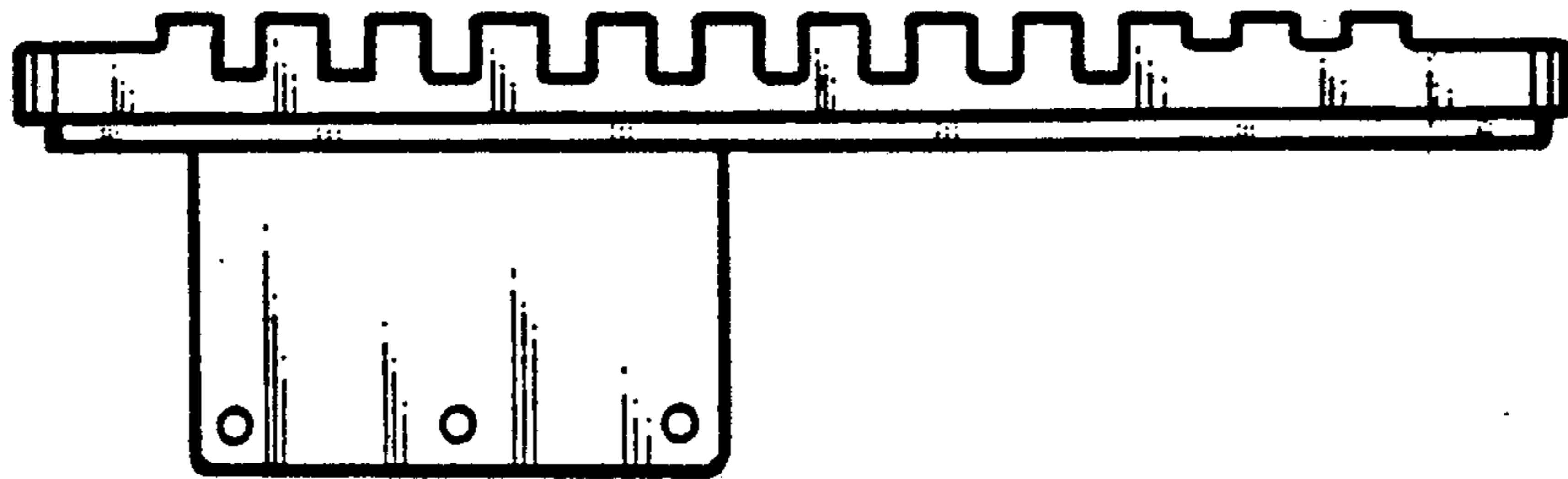


FIG. 3

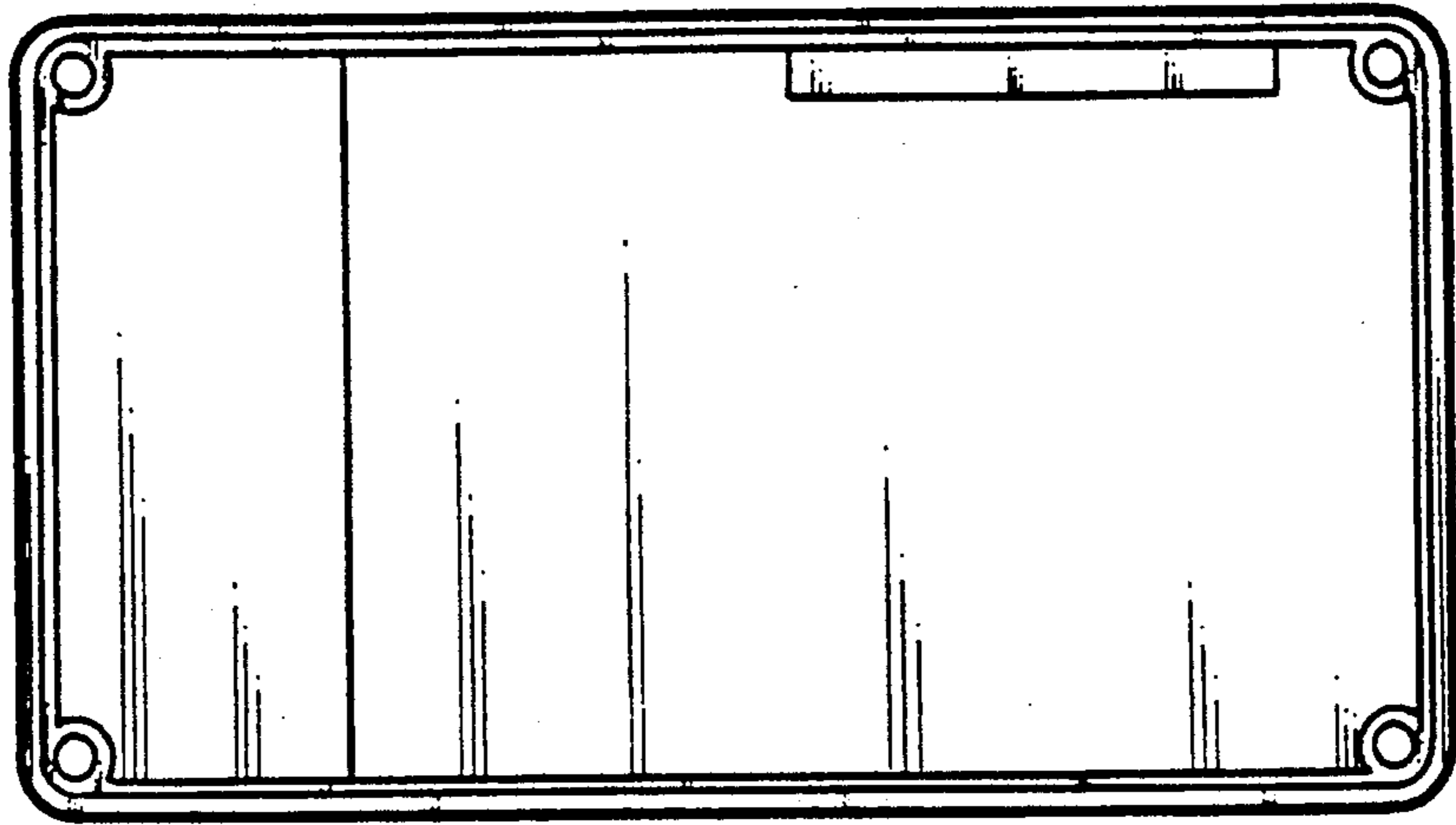


FIG. 4

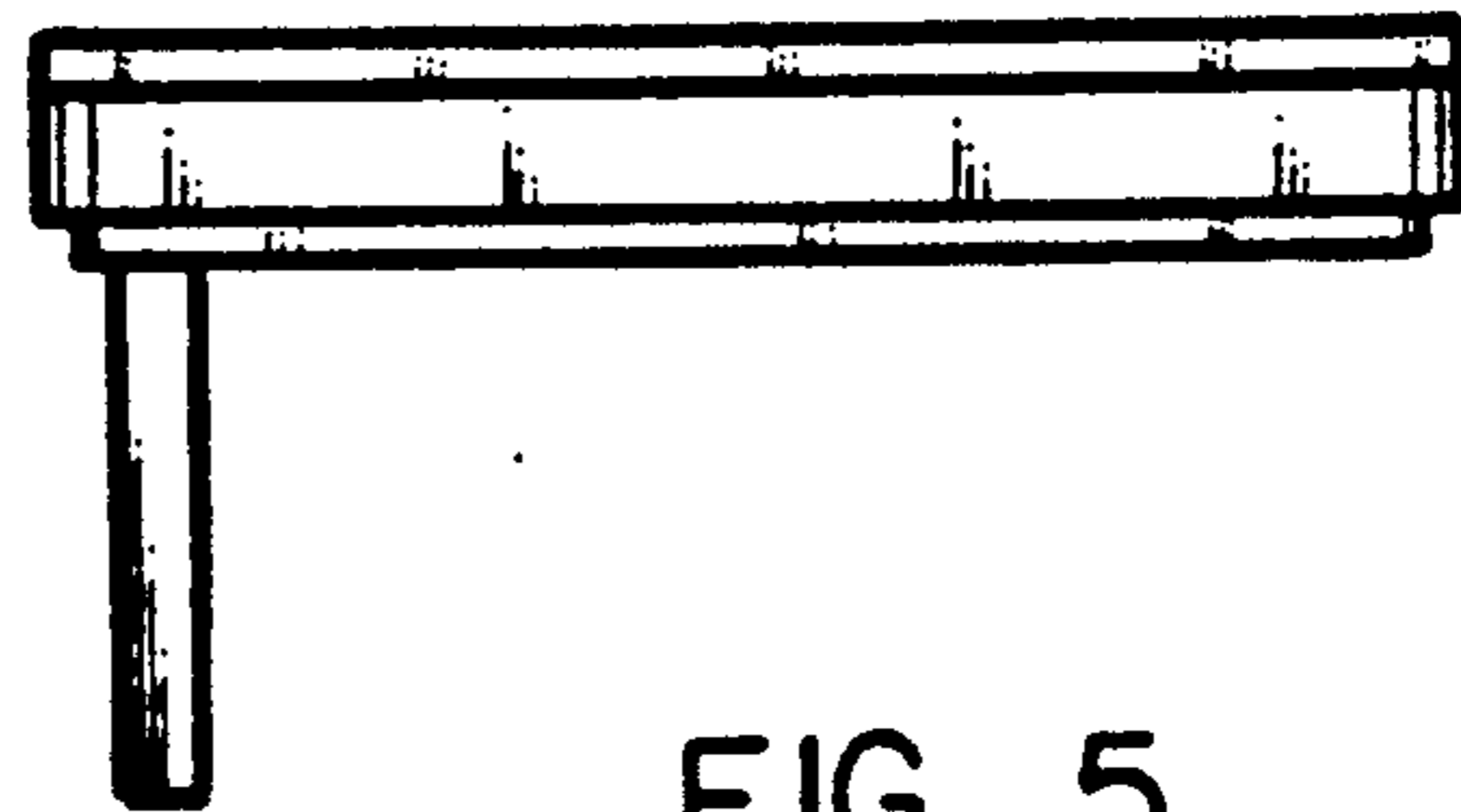


FIG. 5

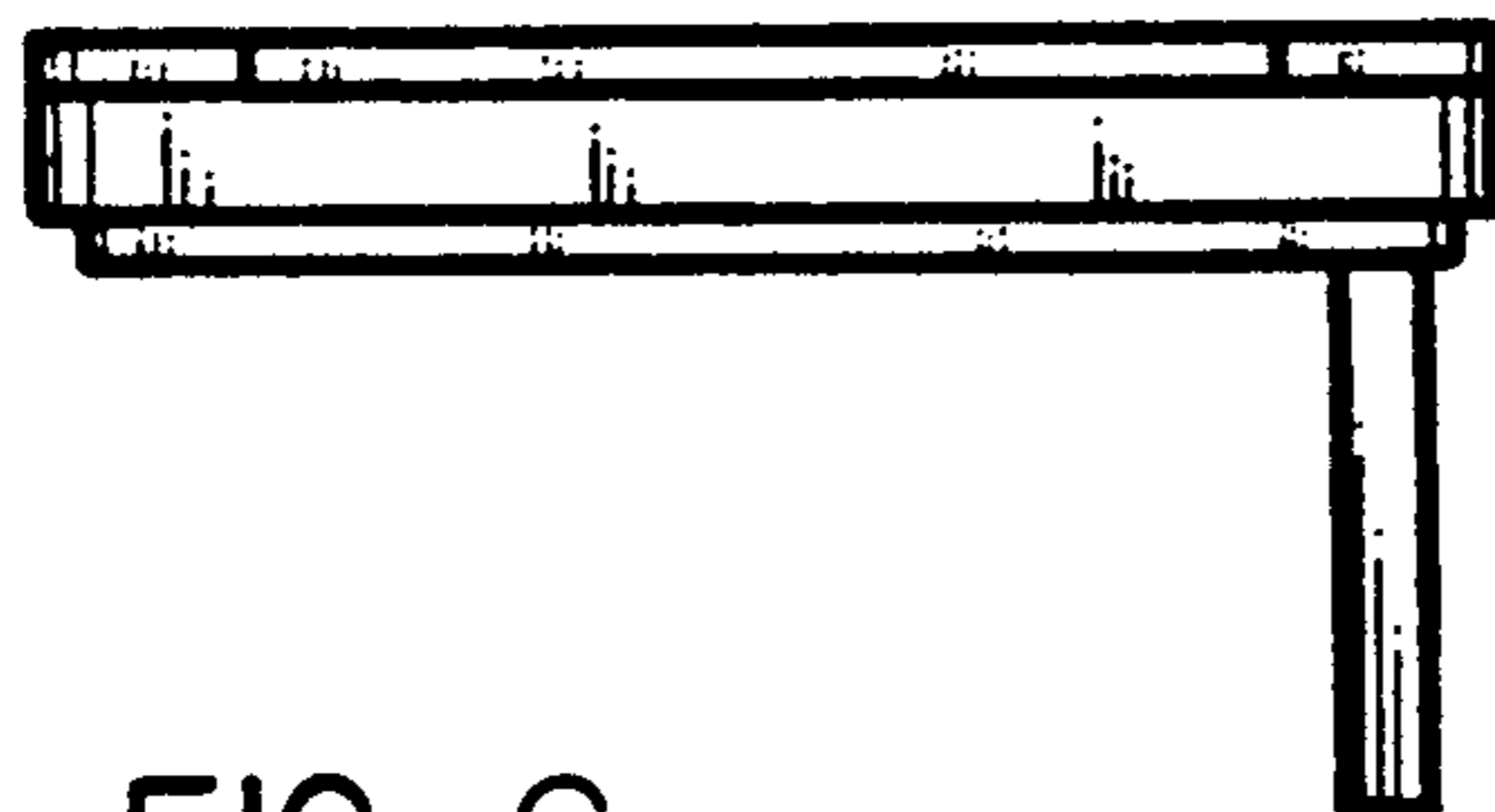


FIG. 6