

[54] TELECOMMUNICATIONS CONNECTOR

[75] Inventor: Jay Gartwhaite, Coupeville, Wash.

[73] Assignee: Leviton Manufacturing Co., Inc., Little Neck, N.Y.

[**] Term: 14 Years

[21] Appl. No.: 281,314

[22] Filed: Dec. 7, 1988

[52] U.S. Cl. D13/133

[58] Field of Search D13/133, 151; 439/641, 439/644

[56] References Cited

U.S. PATENT DOCUMENTS

1,492,348 4/1924 Benjamin et al. 439/641
4,648,682 3/1987 Tubbs D13/133

FOREIGN PATENT DOCUMENTS

574090 7/1924 France 439/644
26651 7/1913 United Kingdom 439/644

OTHER PUBLICATIONS

Burndy Electronic Products Data & Telecommunications Connectors Cat., Section F, p. 4, Bayonet Connectors two and three, top left and bottom left sides of page respectively.

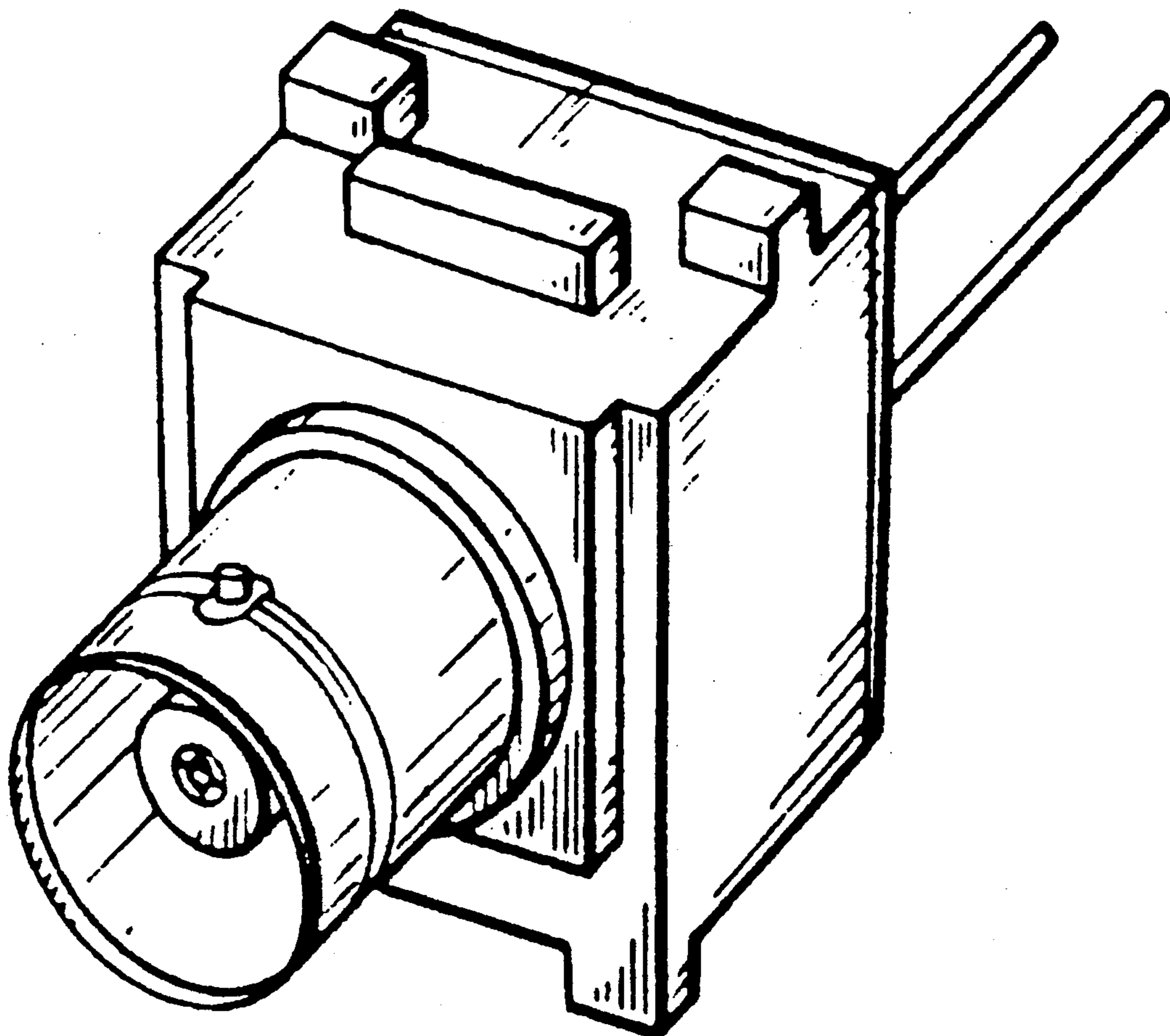
Primary Examiner—James M. Gandy
Assistant Examiner—Lisa Lichtenstein
Attorney, Agent, or Firm—Paul J. Sutton

[57] CLAIM

The ornamental design for a telecommunications connector, as shown and described.

DESCRIPTION

FIG. 1 is a right front perspective view of a telecommunications connector showing my new design; FIG. 2 is a front elevation view thereof; FIG. 3 is a rear elevation view thereof; FIG. 4 is a top plan view thereof; FIG. 5 is a bottom plan view thereof; and FIG. 6 is a right side elevation view thereof, the left side being a mirror image of that shown.



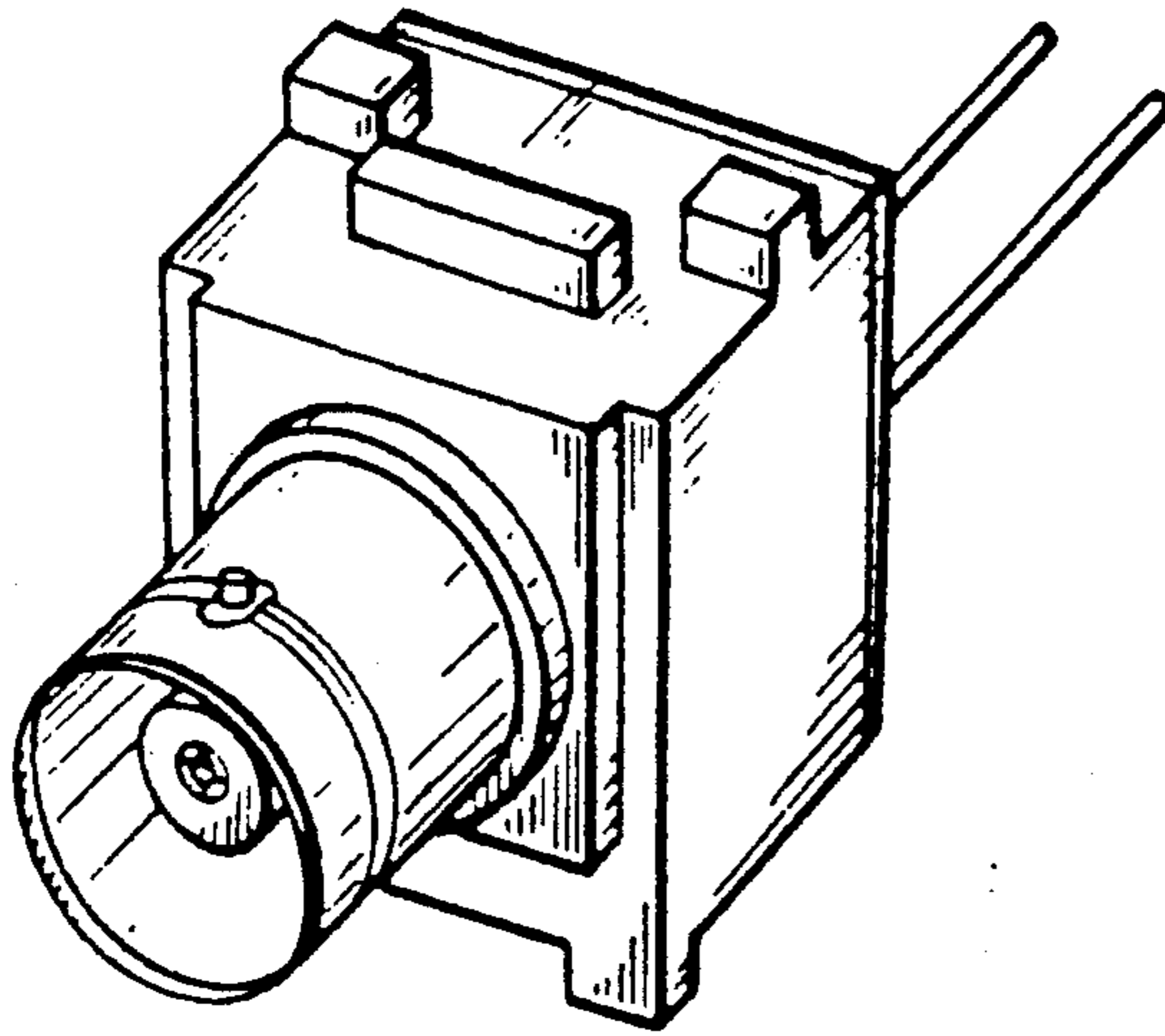


FIG. 1

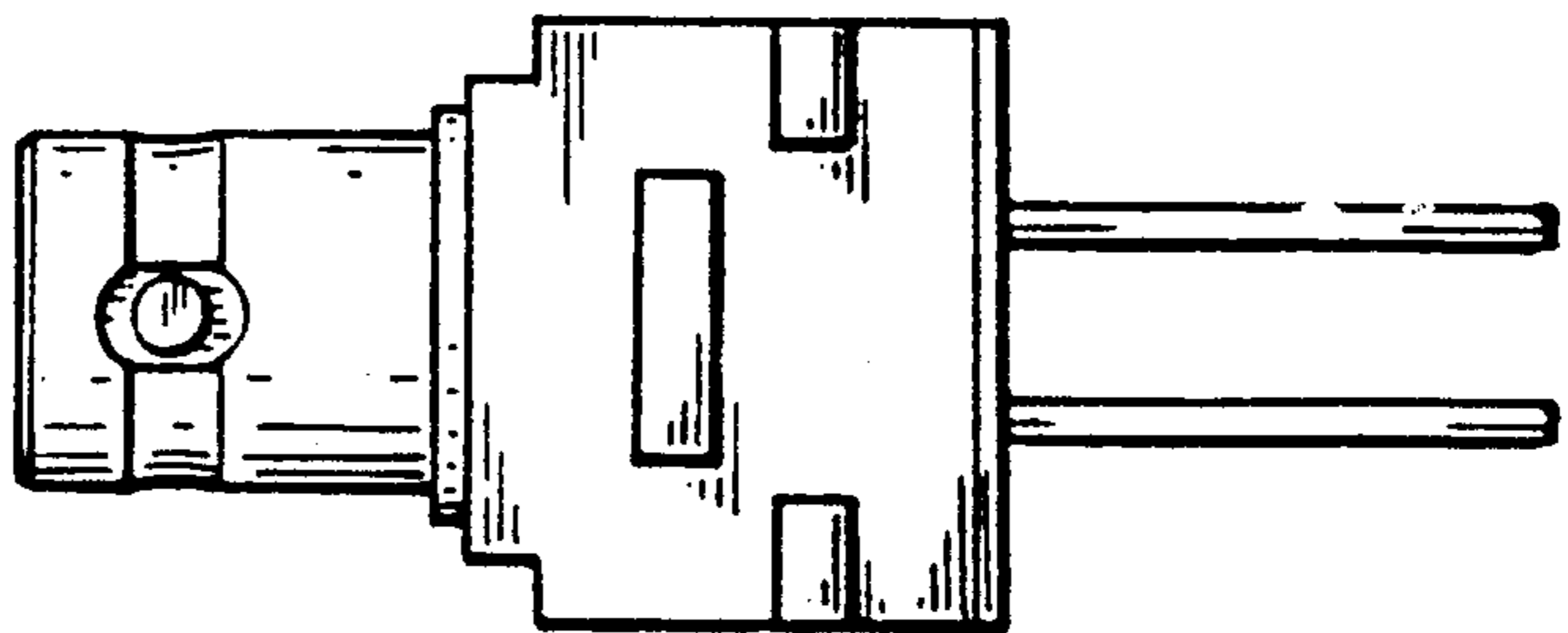


FIG. 4

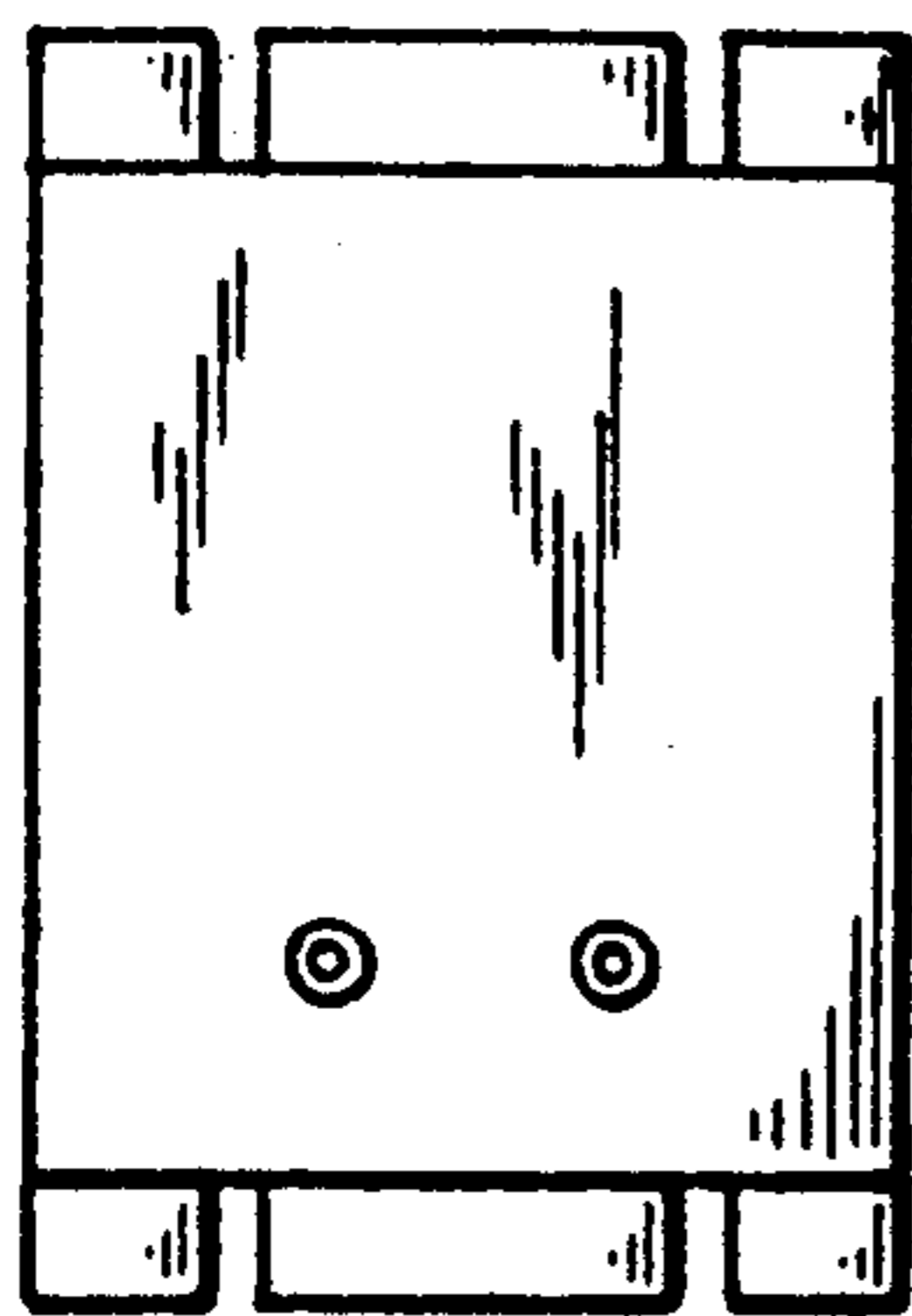


FIG. 3

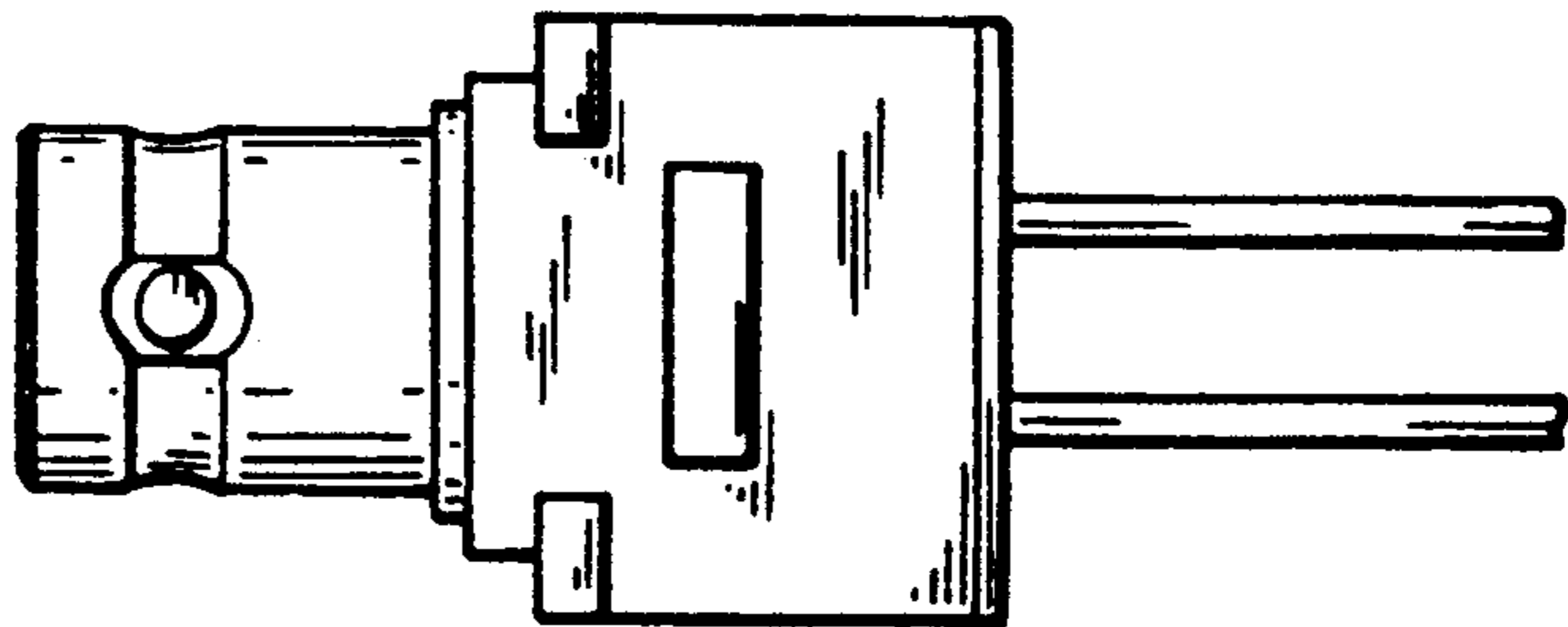


FIG. 5

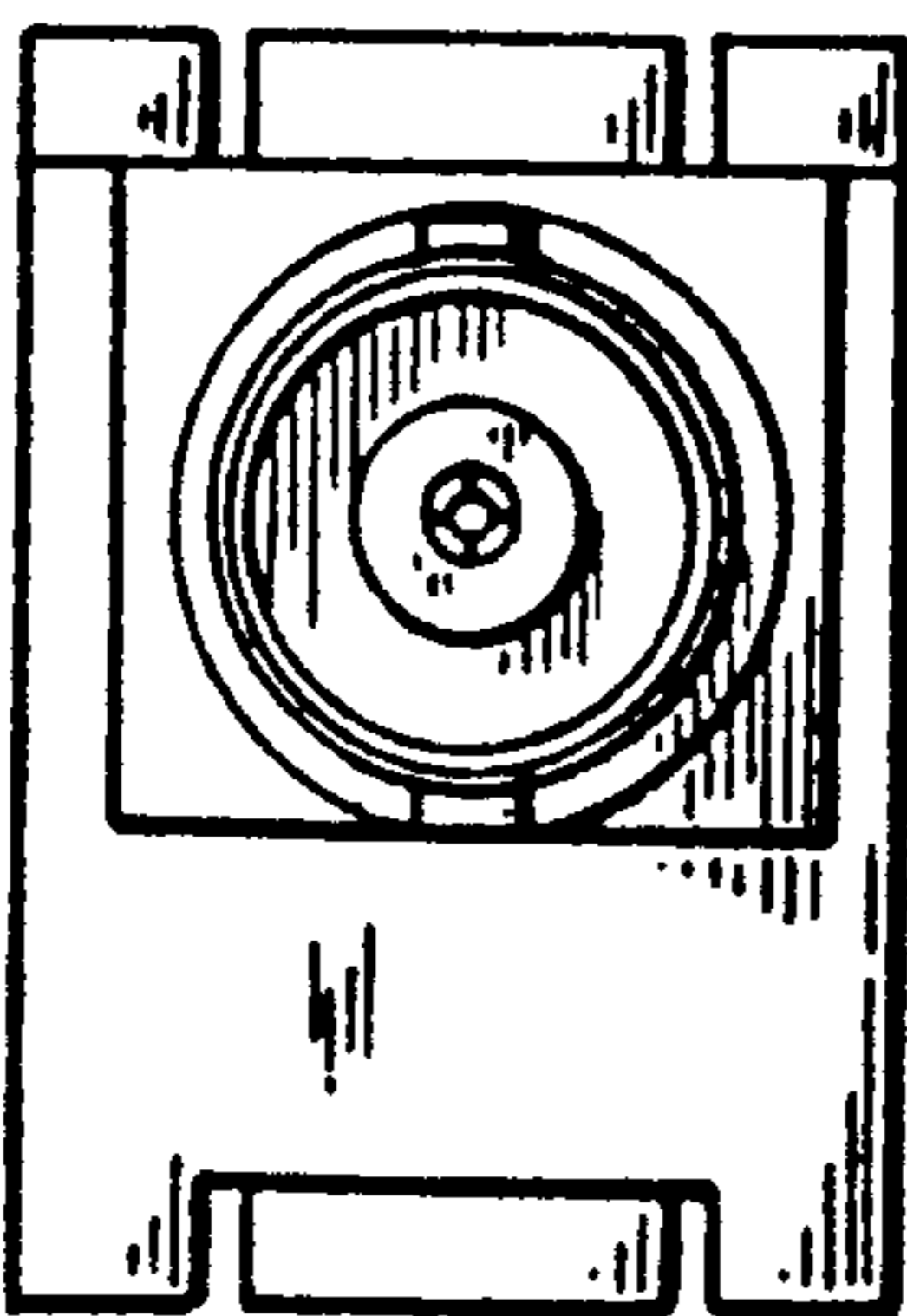


FIG. 2

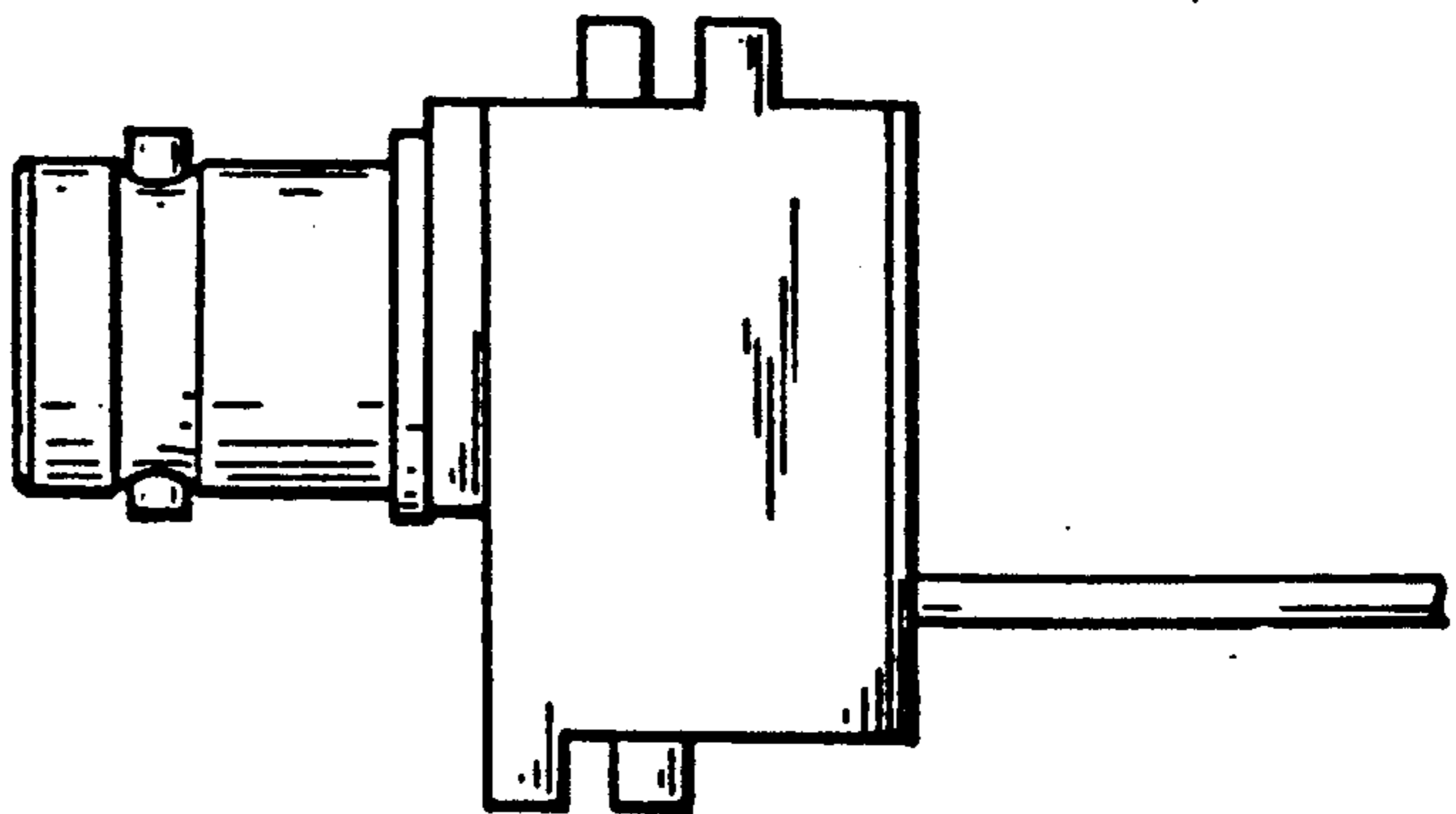


FIG. 6

UNITED STATES PATENT AND TRADEMARK OFFICE
CERTIFICATE OF CORRECTION

PATENT NO. : Des. 316,702
DATED : May 7, 1991
INVENTOR(S) : Jay Garthwaite

It is certified that error appears in the above-identified patent and that said Letters Patent is hereby corrected as shown below:

On the title page, Item [75] Inventor: delete "Gartwhaite" and substitute there --Garthwaite--.

Signed and Sealed this
Twenty-first Day of June, 1994

Attest:



BRUCE LEHMAN

Attesting Officer

Commissioner of Patents and Trademarks