

[54] TRACTION ATTACHMENT FOR A VEHICLE WHEEL

[76] Inventor: Gust F. Johnson, 280 Monte-Aberdeen Rd., Montesano, Wash. 98563

[\*\*] Term: 14 Years

[21] Appl. No.: 244,357

[22] Filed: Sep. 15, 1988

[52] U.S. Cl. .... D12/213; D12/154

[58] Field of Search ..... D12/154, 213; 152/222, 152/179, 210, 221, 184, 187; 238/14; 301/41 R, 43, 39 CC; 305/15, 19, 60

[56] References Cited

U.S. PATENT DOCUMENTS

54,228	12/1919	Stothoff	301/43
1,570,359	1/1926	Lindhorst	301/40 R
2,224,772	9/1942	Cooky	152/179
2,311,475	2/1943	Schmeiser	301/41 R
2,824,767	2/1958	Illard	301/41 R

2,871,956	2/1959	Brent	301/44 R
3,206,253	9/1965	Bedan et al.	301/41 R
3,370,889	2/1968	Tucker	301/41 R
3,612,613	10/1971	Tricon	301/41 R
3,815,958	6/1974	Dietrich, Sr.	301/41 R
3,871,720	3/1975	Mosshart et al.	152/187
3,890,010	6/1975	Dove, Jr. et al.	301/52
4,480,670	11/1984	Payne	152/222
4,601,519	7/1986	D'Androde	301/45

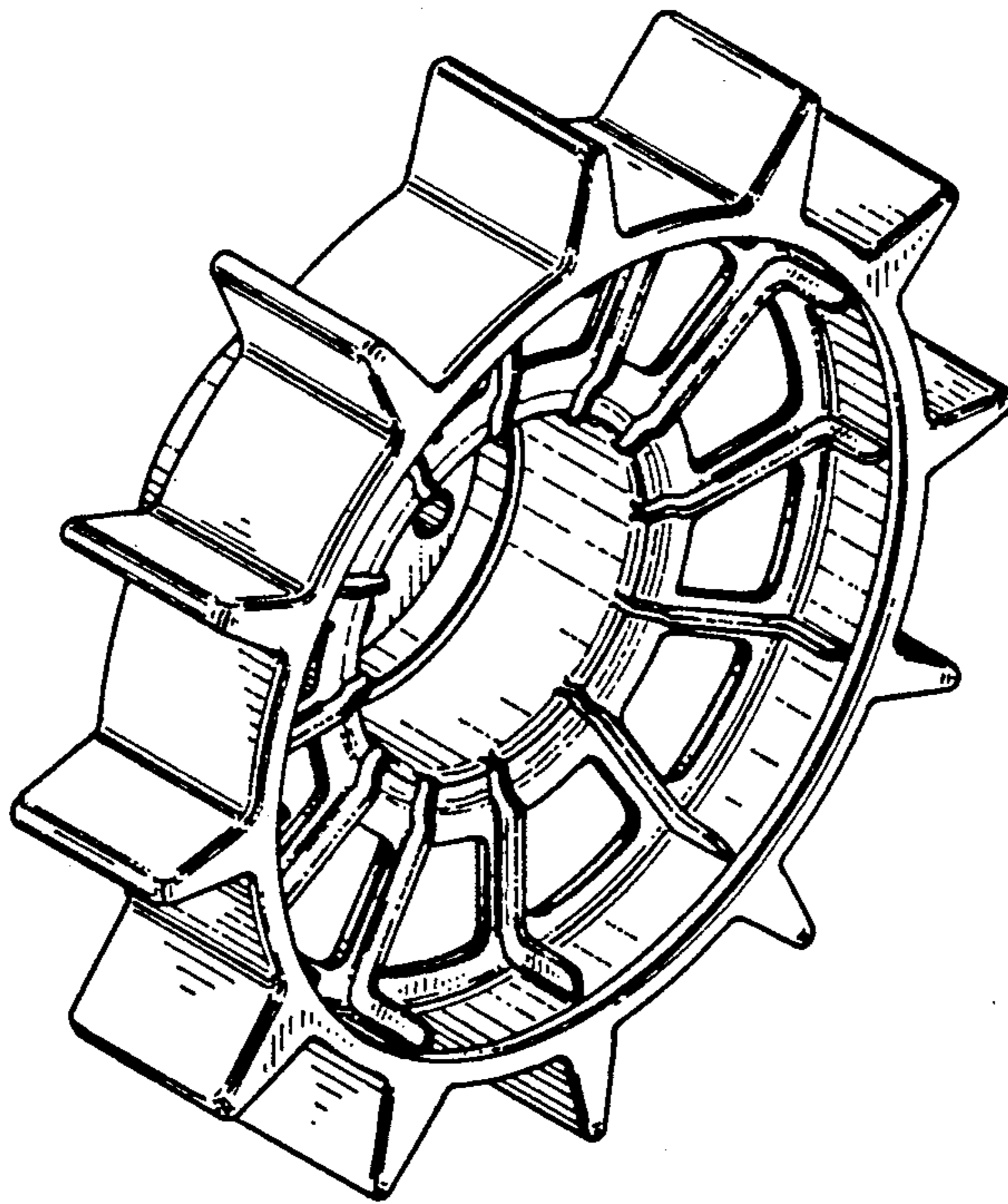
Primary Examiner—James M. Gandy  
Assistant Examiner—Melody Brown  
Attorney, Agent, or Firm—David L. Garrison

[57] CLAIM

The ornamental design for a traction attachment for a vehicle wheel, as shown.

DESCRIPTION

FIG. 1 is a perspective view of a traction attachment for a vehicle wheel showing my new design; FIG. 2 is a front elevation view thereof; FIG. 3 is a rear elevation view thereof; and FIG. 4 is a side elevation view thereof.



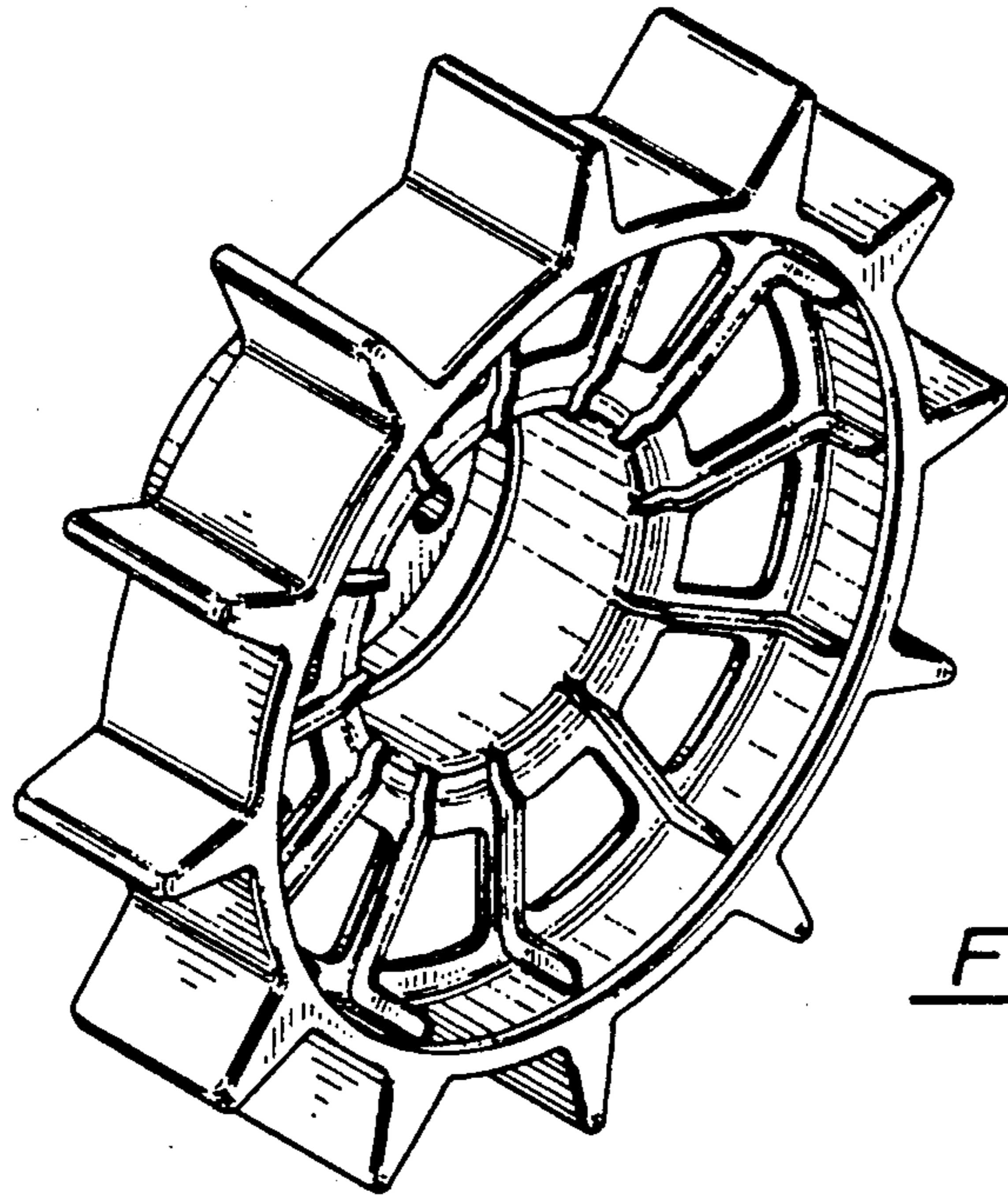


FIG. 1

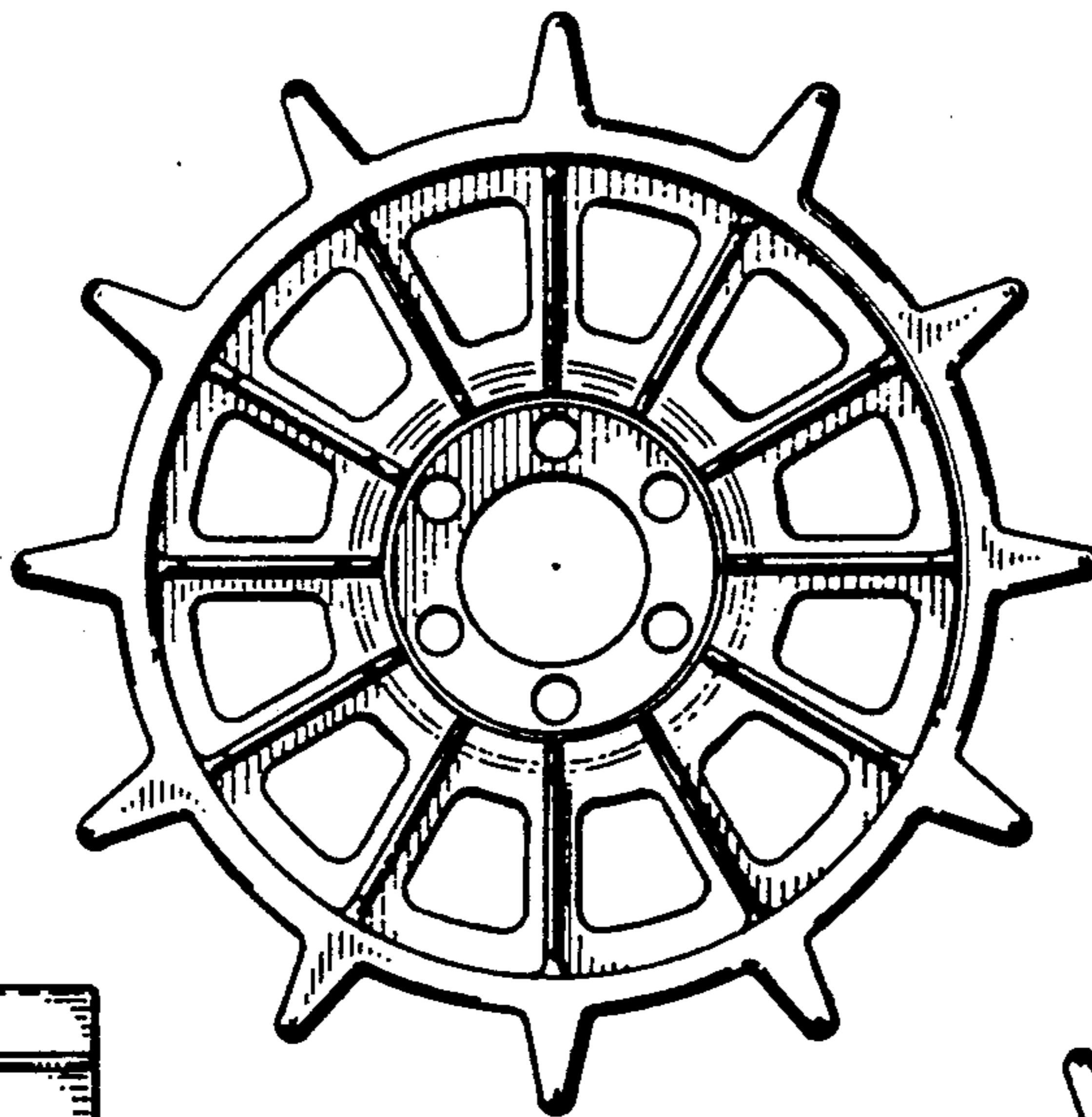


FIG. 2

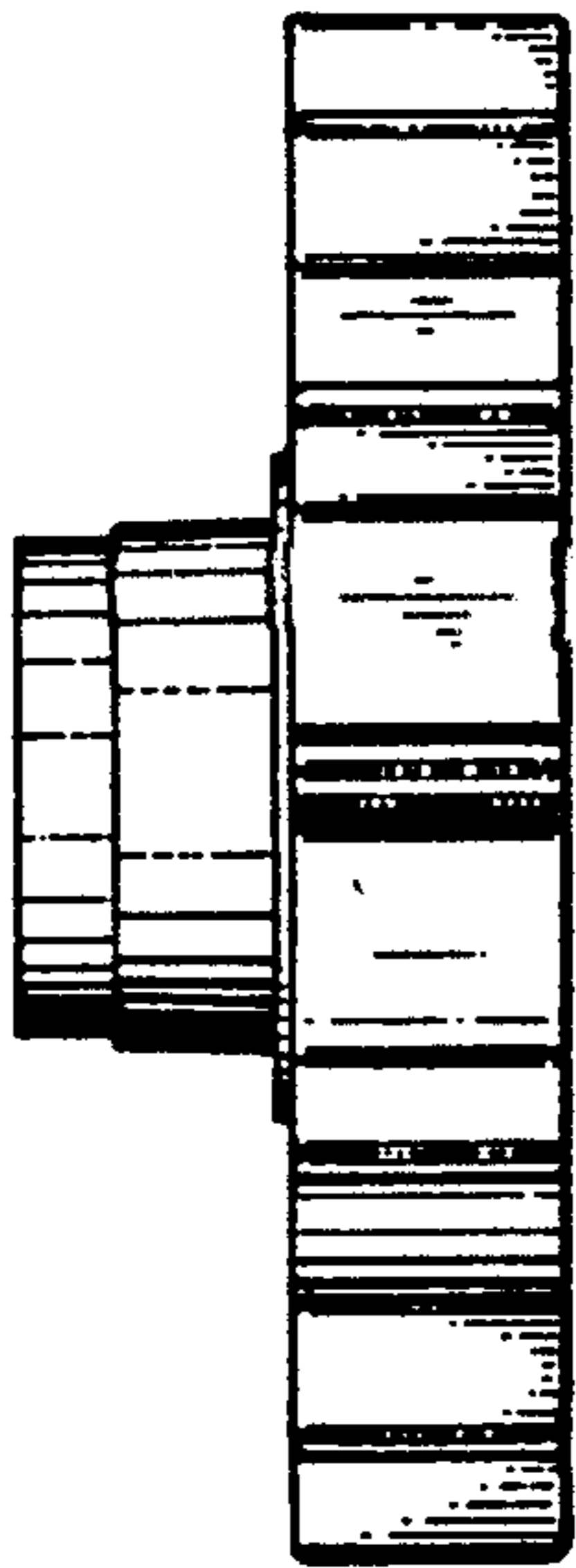


FIG. 4

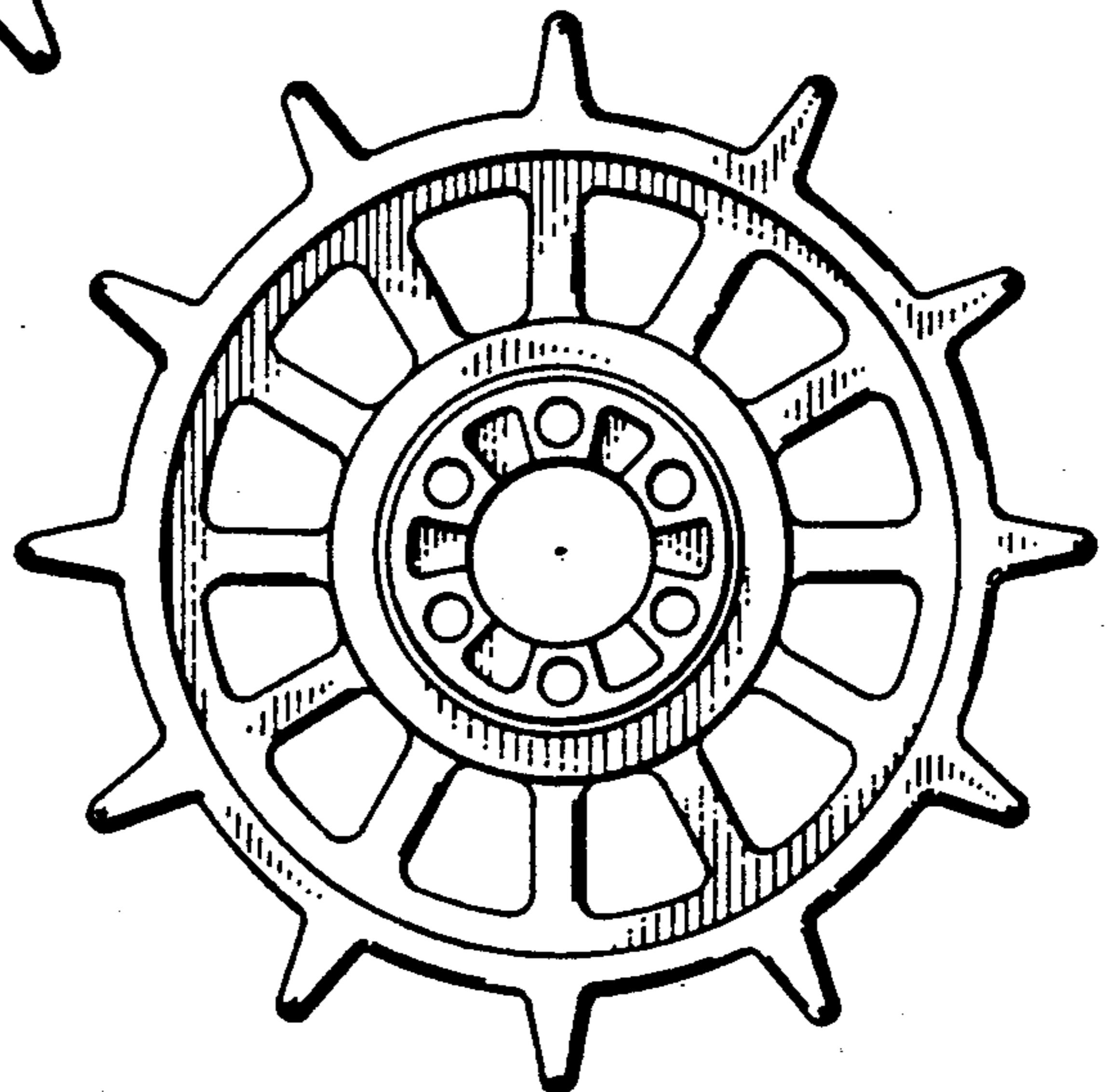


FIG. 3