

[54] VEHICLE REAR BUMPER EXTENSION

[76] Inventors: Steven D. Hensley; Barney D. Hensley, both of P.O. Box 486, Aztec, N. Mex. 87410

[\*\*] Term: 14 Years

[21] Appl. No.: 155,643

[22] Filed: Feb. 12, 1988

[52] U.S. Cl. .... D12/172

[58] Field of Search ..... D12/167, 169, 172; 293/102, 126, 128, 141, 149, 154

[56] References Cited

U.S. PATENT DOCUMENTS

- D. 247,745 4/1978 Tixier ..... D12/172
- D. 304,569 11/1989 Brunger et al. .... D12/172
- 2,476,814 7/1949 Carmack et al. .... 293/126

Primary Examiner—James M. Gandy  
Attorney, Agent, or Firm—James F. Duffy

[57] CLAIM

The ornamental design for a vehicle rear bumper extension, as shown and described.

DESCRIPTION

FIG. 1 is a perspective view of a vehicle rear bumper extension showing our new design it being understood that the broken lines are for illustrative purposes only and form no part of the claimed design;

FIG. 2 is an enlarged top plan view thereof;

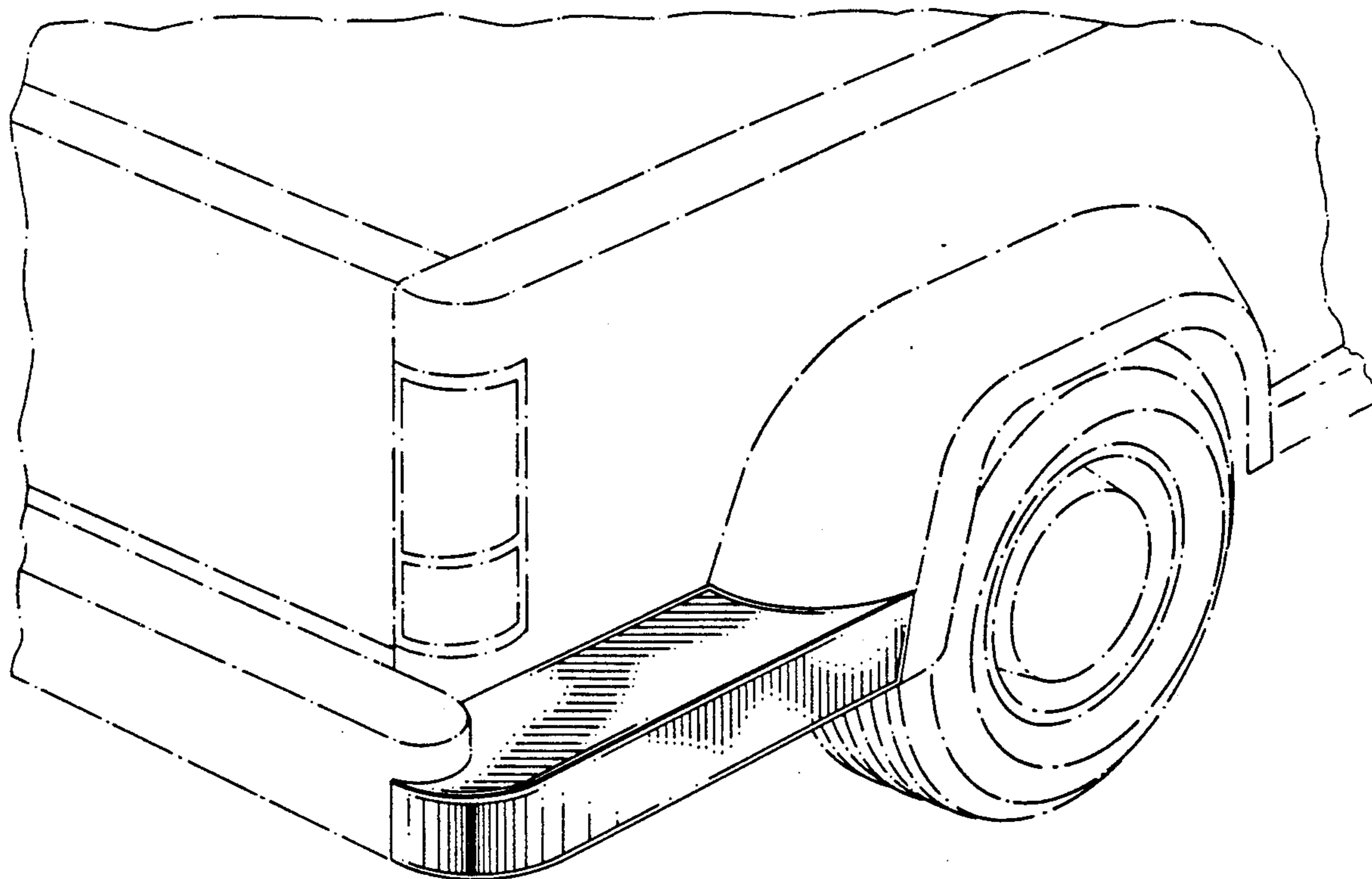
FIG. 3 is a bottom plan view of FIG. 2;

FIG. 4 is an end elevation view of FIG. 2;

FIG. 5 is an opposite end elevation view of FIG. 2;

FIG. 6 is a side elevation view of FIG. 2; and

FIG. 7 is an opposite side elevation view of FIG. 2.



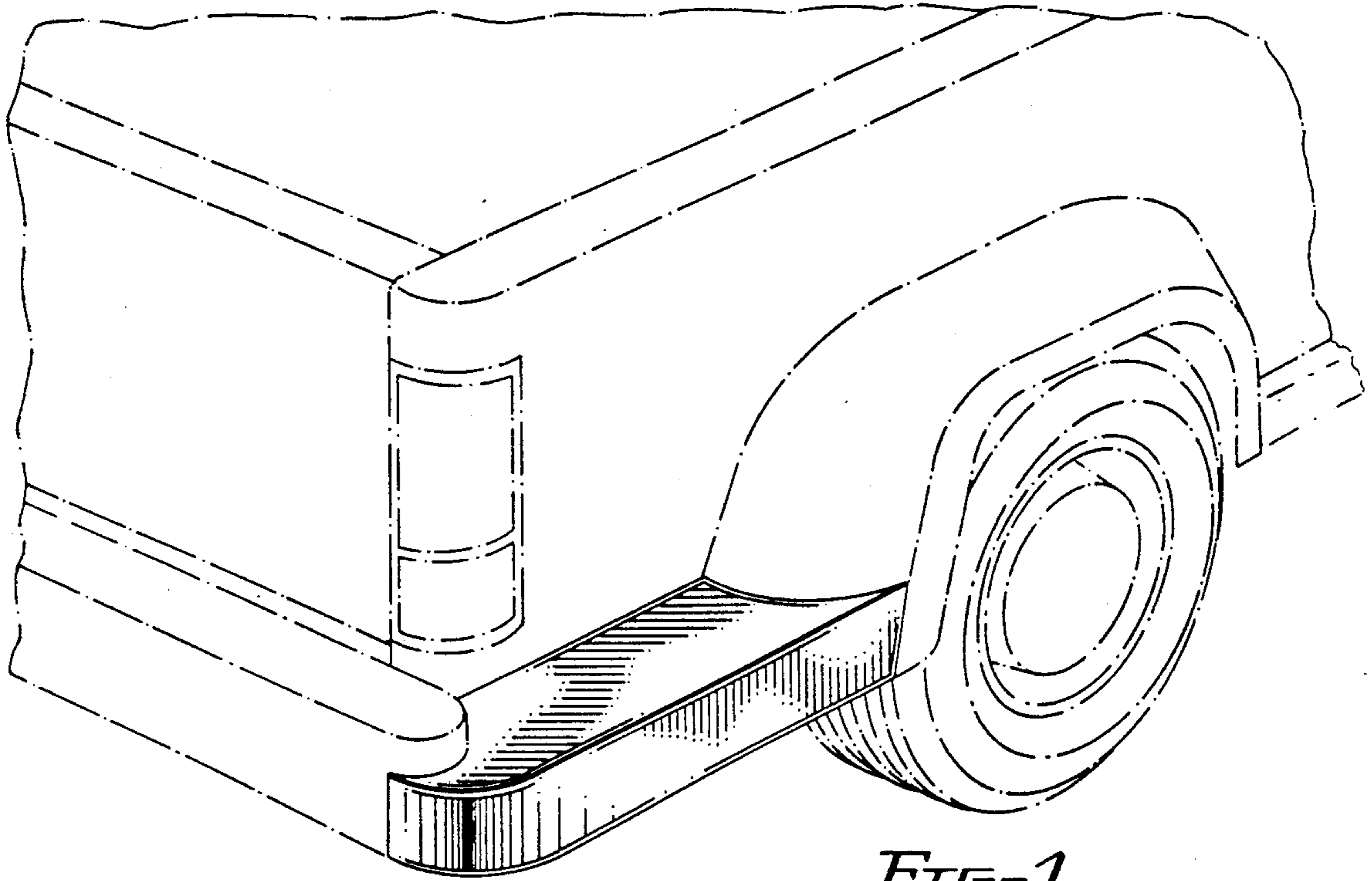


FIG. 1

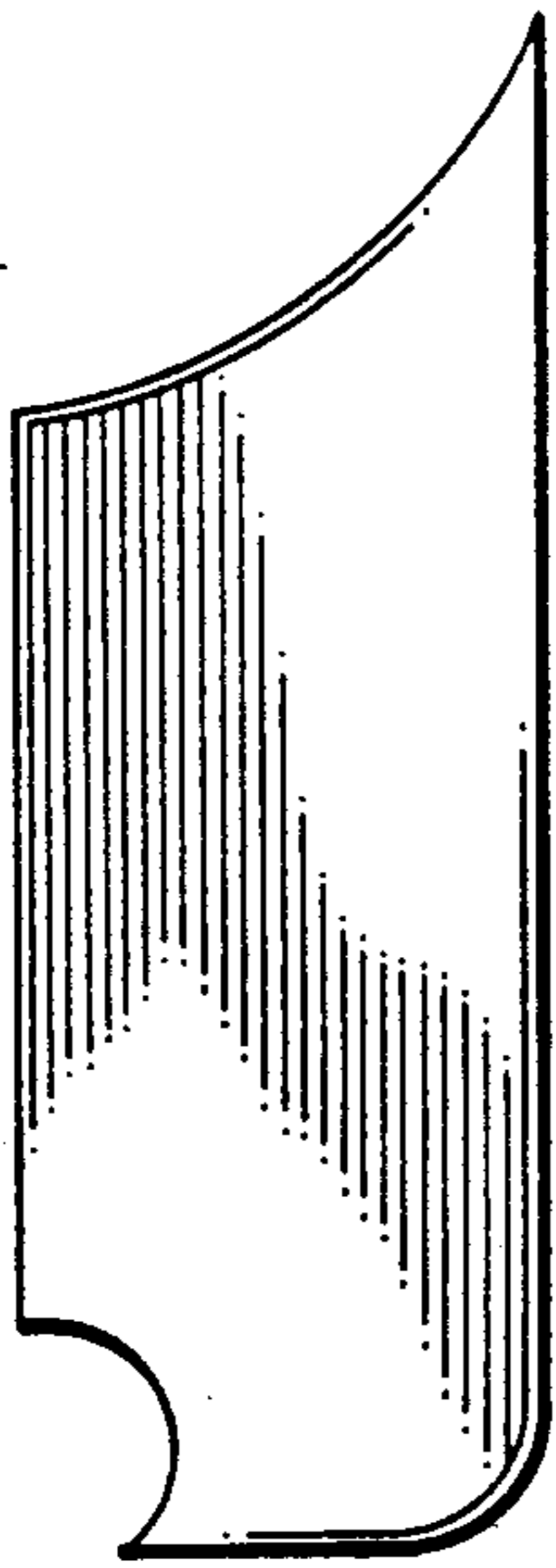


FIG. 2

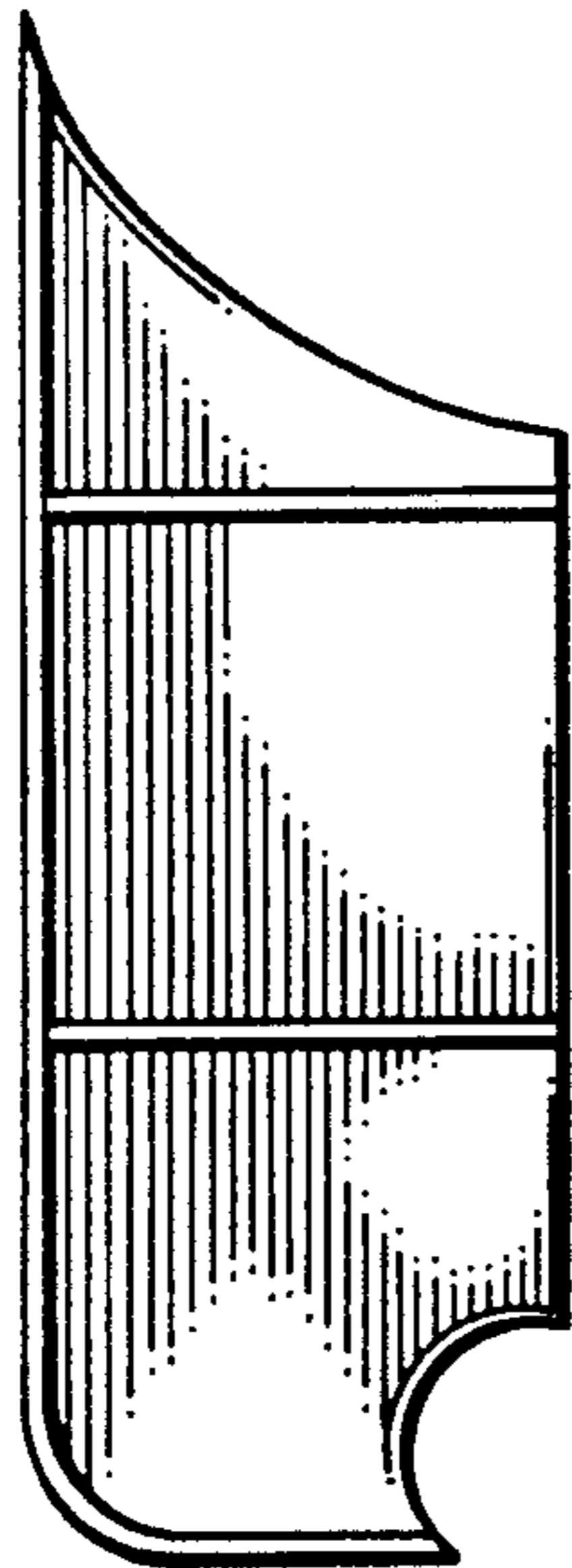


FIG. 3



FIG. 6



FIG. 7

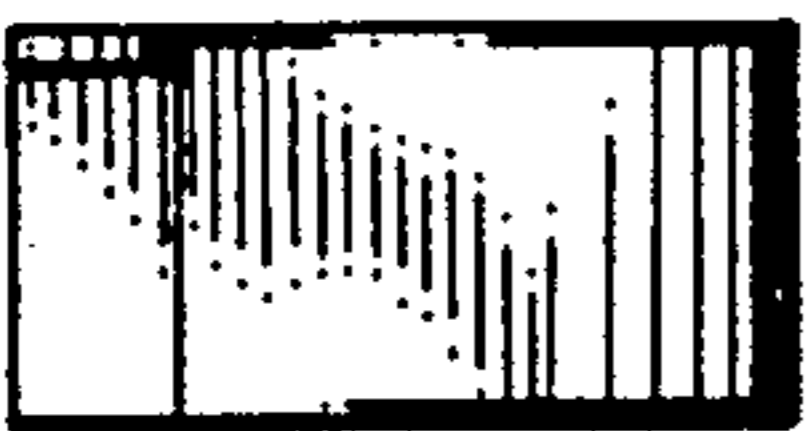


FIG. 4

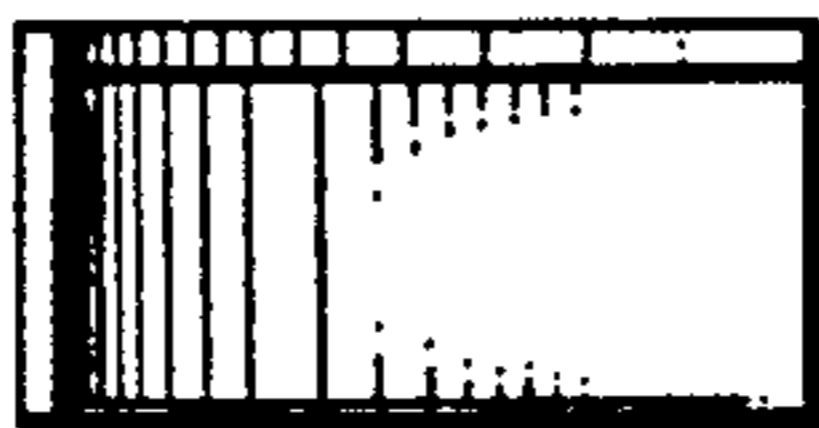


FIG. 5