

[54] BICYCLE PEDAL

[75] Inventor: Wayne Beiser, Fairfield, Ohio

[73] Assignee: Huffy Corporation, Dayton, Ohio

[**] Term: 14 Years

[21] Appl. No.: 345,504

[22] Filed: Apr. 28, 1989

[52] U.S. Cl. D12/125

[58] Field of Search D12/125; 74/594.4

[56] References Cited

U.S. PATENT DOCUMENTS

D. 291,293	8/1987	Downing et al.	D12/125
3,485,113	12/1969	Adcock	D12/125
4,873,890	10/1989	Nagano	74/594.4

OTHER PUBLICATIONS

American Bicyclist & Motorcyclist, Aug. 1987, p. 12, Bicycle Pedal, VP-801.

American Bicyclist & Motorcyclist, Sep.-Oct. 1987, p. 99, Bicycle Pedal, HT1-871.

American Bicyclist & Motorcyclist, Dec. 1988, p. 67, Bicycle Pedal SP-866.

American Bicyclist & Motorcyclist, Aug. 1988, p. 62, Tung Pao, #805, Bicycle Pedal.

Primary Examiner—James M. Gandy

Assistant Examiner—Melody Brown

Attorney, Agent, or Firm—Thompson, Hine and Flory

[57] CLAIM

The ornamental design for a bicycle pedal, as shown and described.

DESCRIPTION

FIG. 1 is a perspective view of a bicycle pedal showing my new design;

FIG. 2 is a top plan view thereof, the side opposite being a mirror image;

FIG. 3 is an outer-end elevational view thereof;

FIG. 4 is an inner-end elevational view thereof; and

FIG. 5 is a side elevational view thereof, the side opposite being a mirror image.

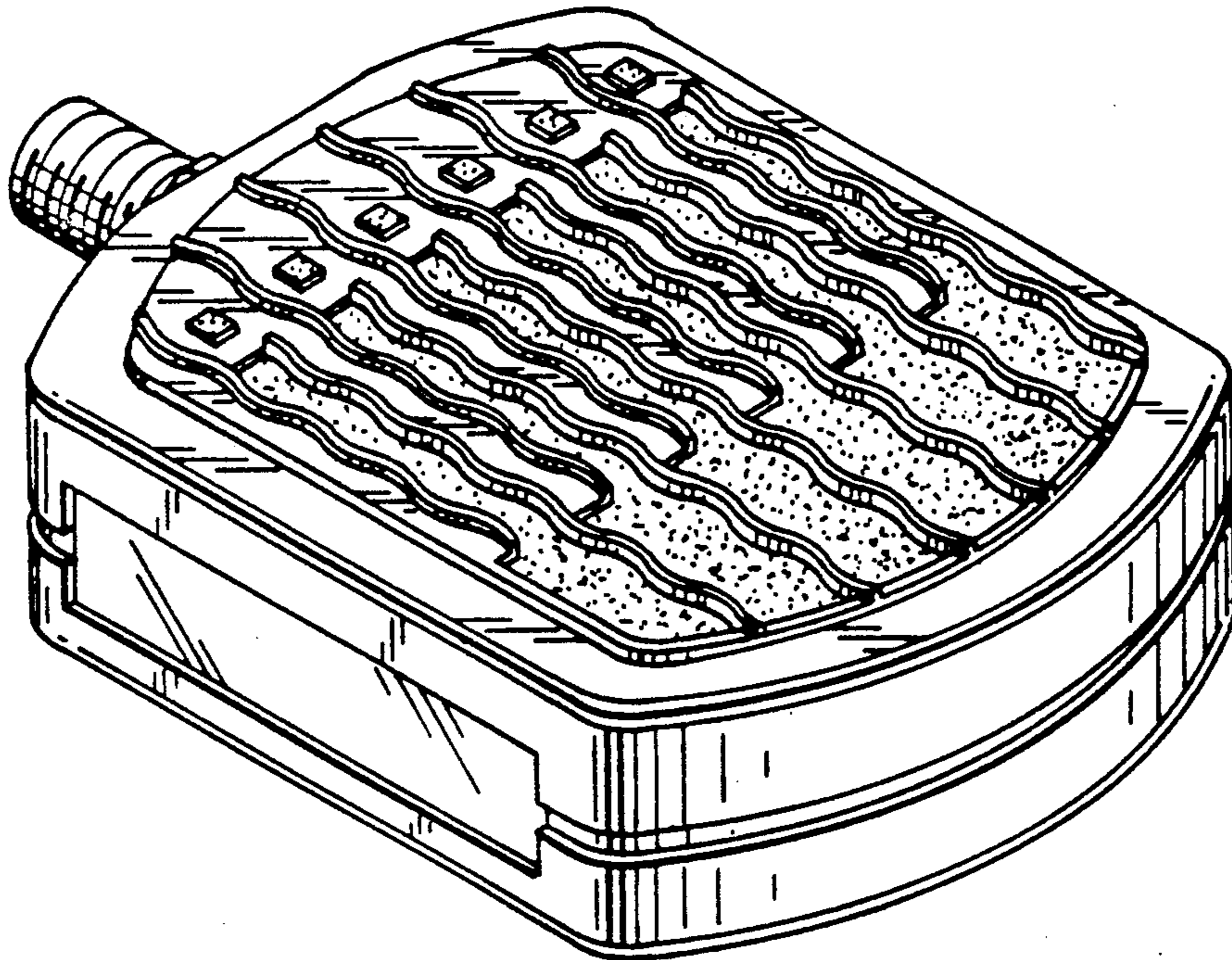


FIG-1

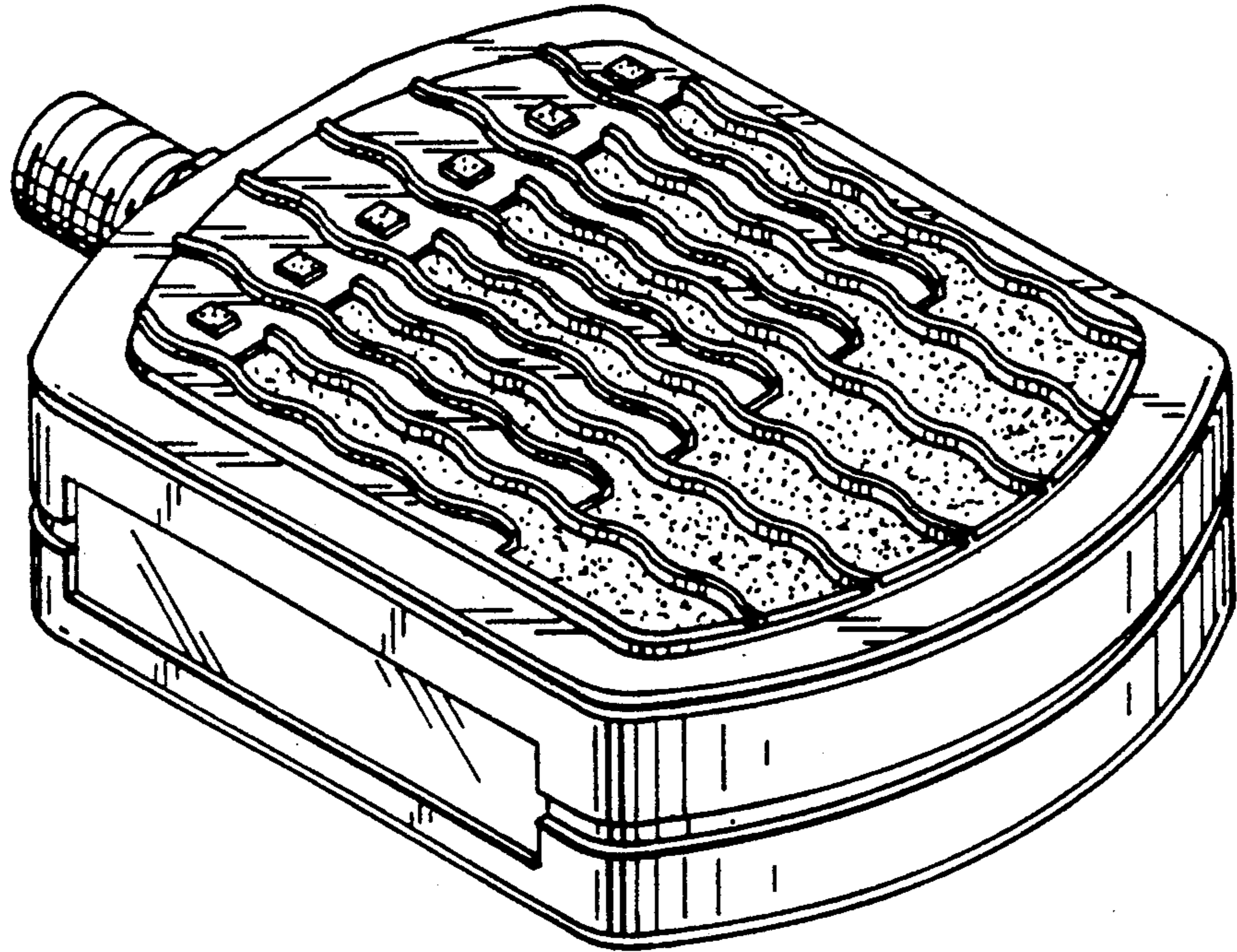


FIG-2

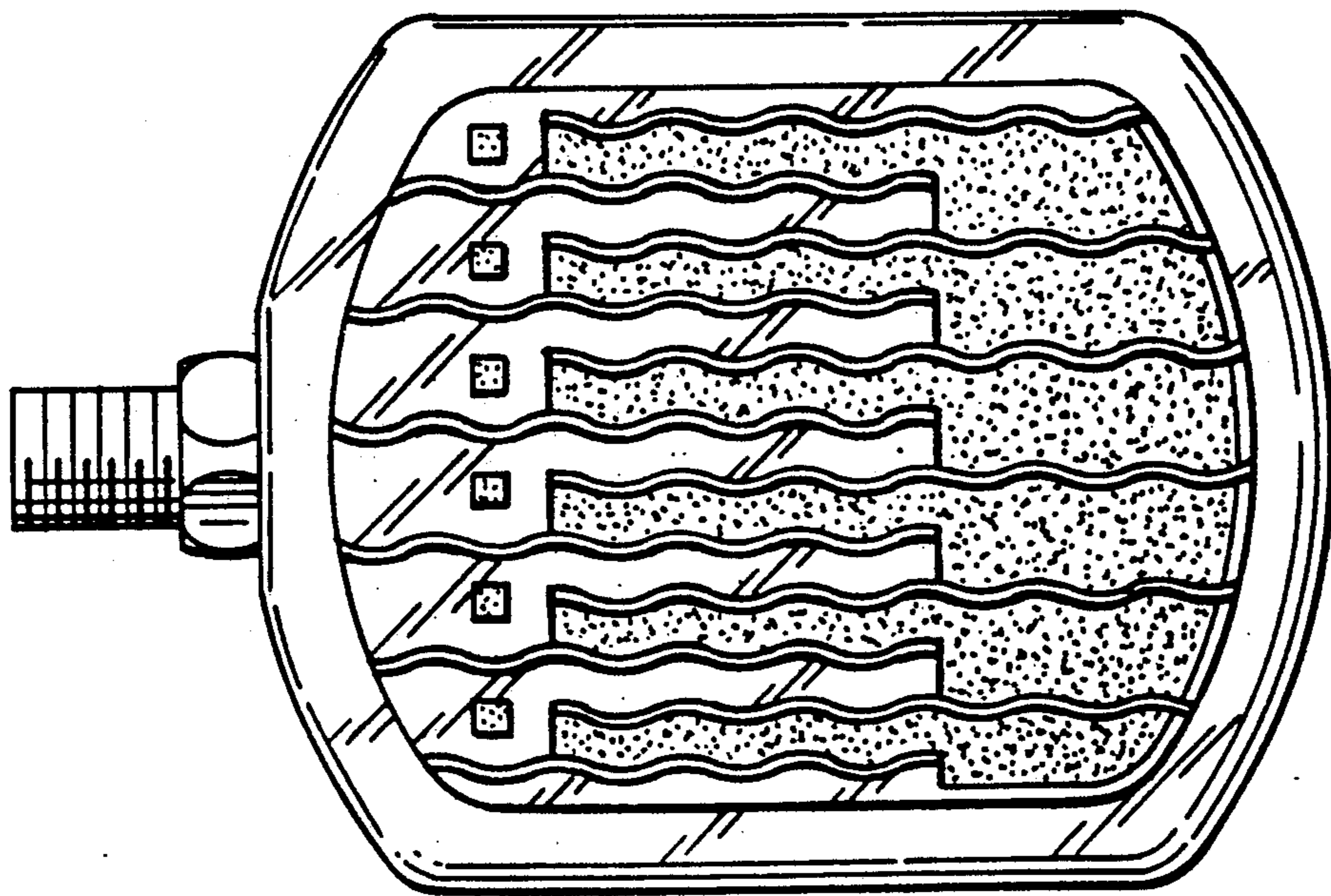


FIG-3

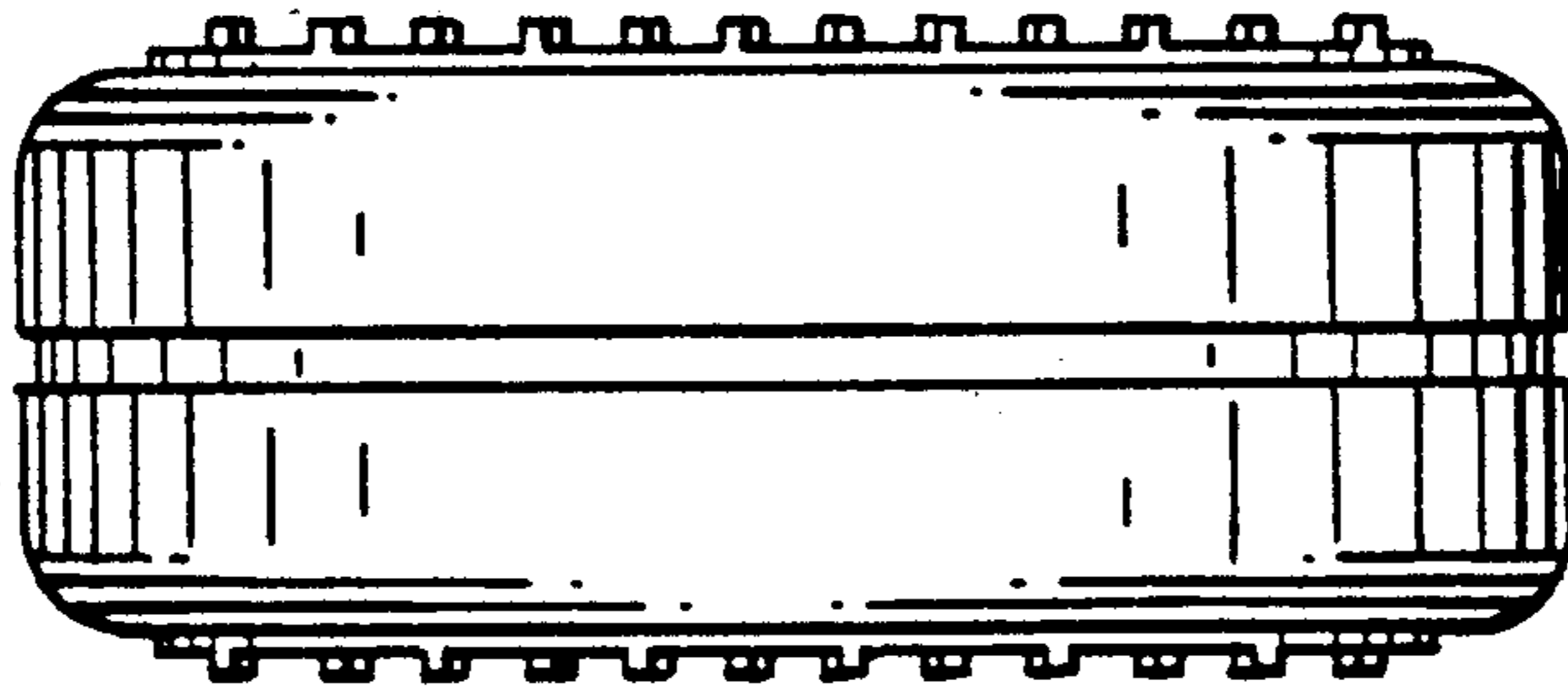


FIG-4

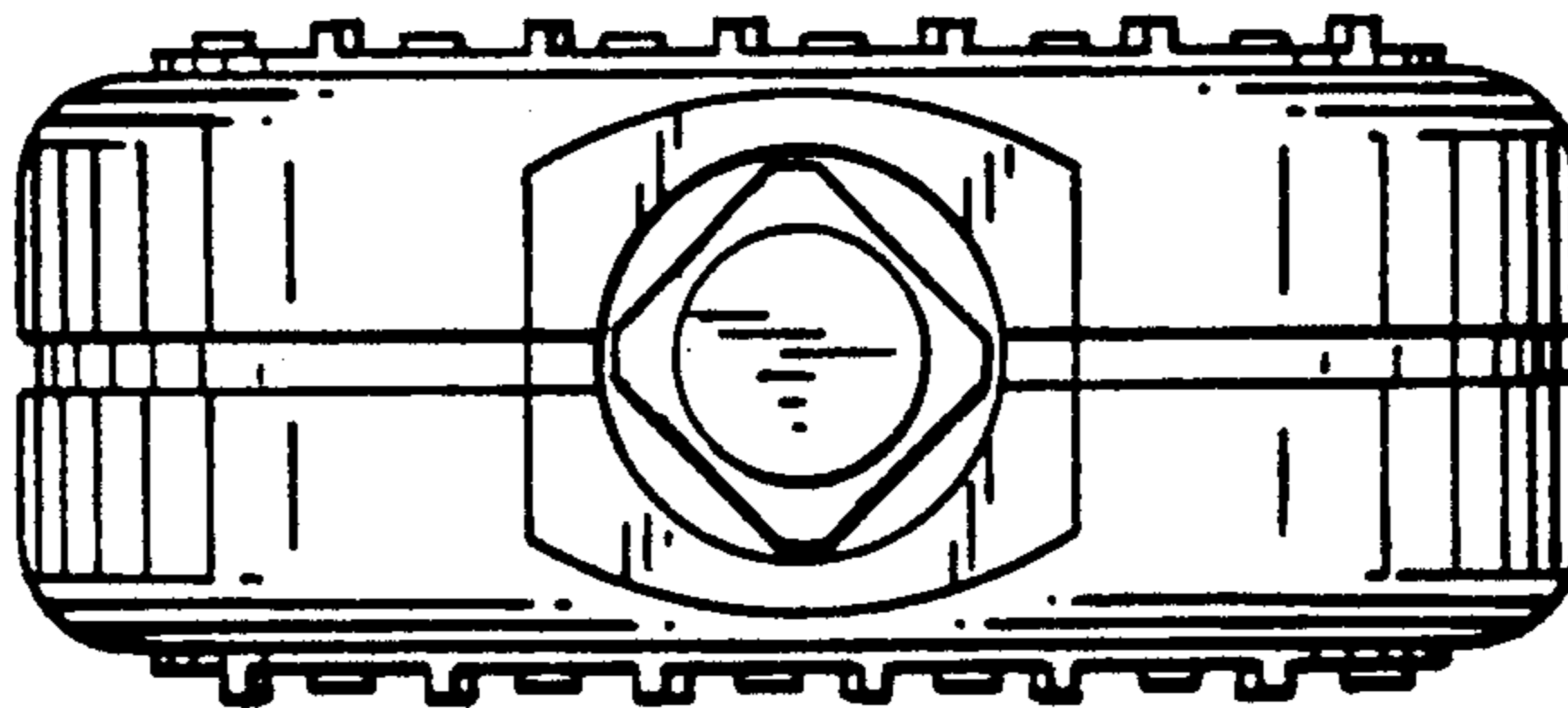


FIG-5

