

[54] TRAILER WITH VISUAL GUIDE RODS

2,620,201 12/1952 Brady, Sr. 280/63
4,621,857 11/1986 Jügers 280/63
4,807,894 2/1989 Walker 280/63

[76] Inventor: Larry Barginear, 2111 Dolores St.,
Space 28, Carson, Calif. 90745

Primary Examiner—James M. Gandy
Assistant Examiner—Melody Brown
Attorney, Agent, or Firm—Roger A. Marrs

[**] Term: 14 Years

[21] Appl. No.: 161,653

[57] CLAIM

[22] Filed: Feb. 29, 1988

The ornamental design for a trailer with visual guide rods, as shown.

[52] U.S. Cl. D12/101

[58] Field of Search D12/106, 101; 280/63,
280/75, 47.25, 42.26

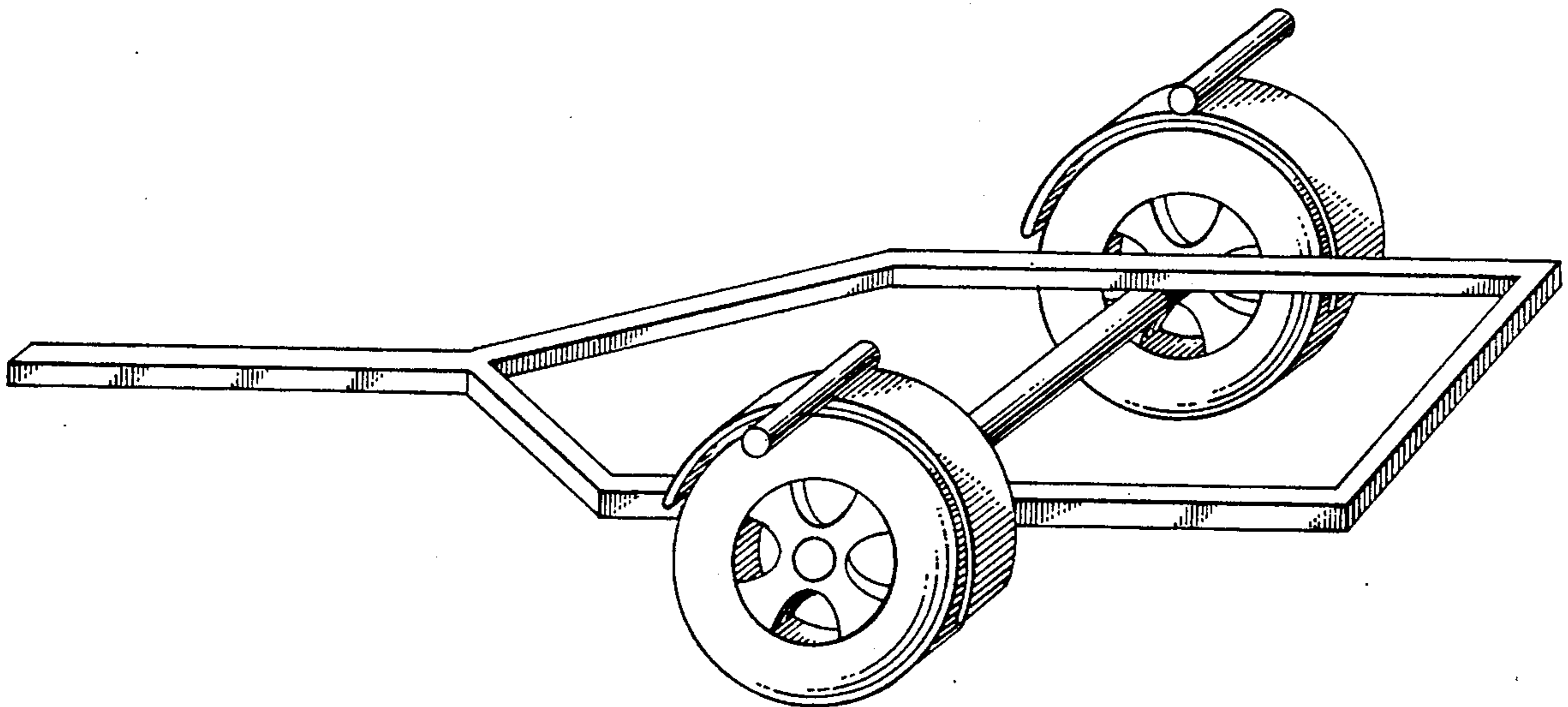
DESCRIPTION

[56] References Cited

U.S. PATENT DOCUMENTS

2,420,794 5/1947 O'Neill 280/63

FIG. 1 is a side perspective view of a trailer with visual guide rods showing my new design;
FIG. 2 is a rear elevation view thereof;
FIG. 3 is a front elevation view thereof;
FIG. 4 is a top plan view thereof.



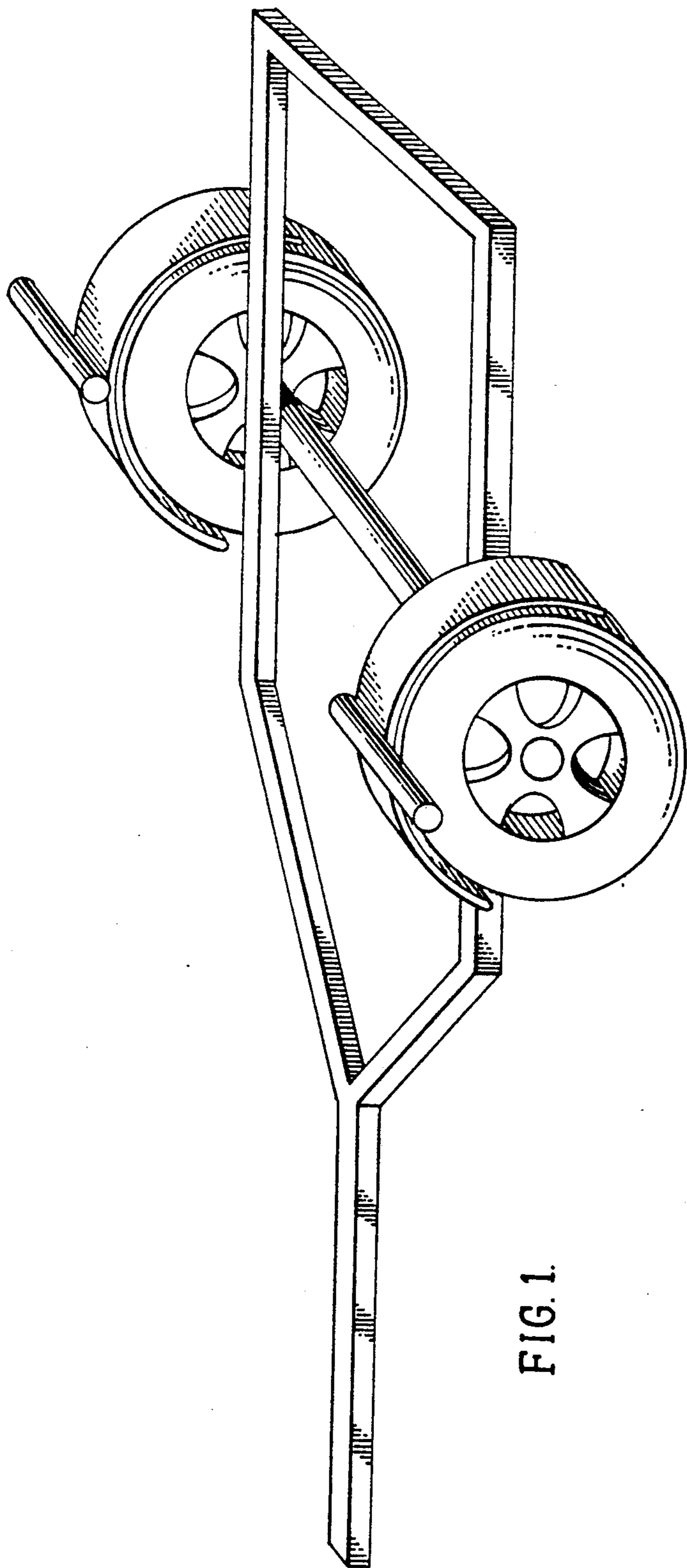


FIG. 1.

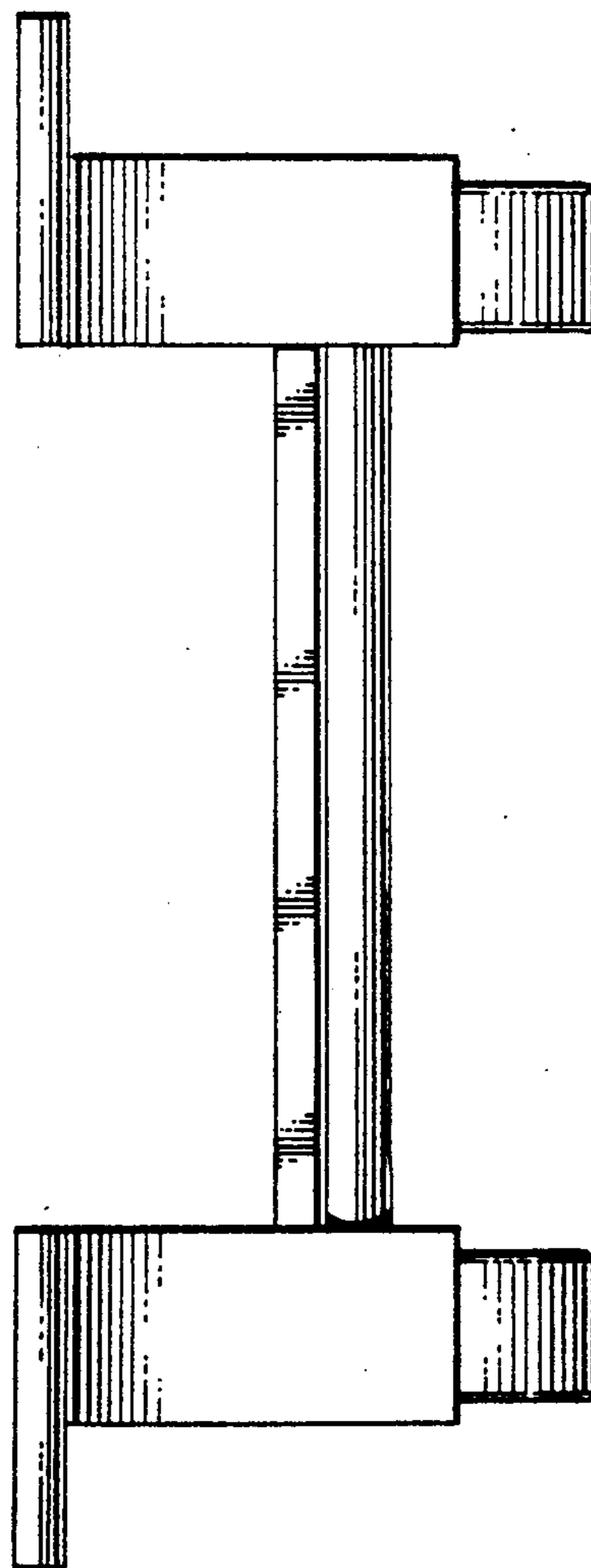


FIG. 2.

FIG. 3.

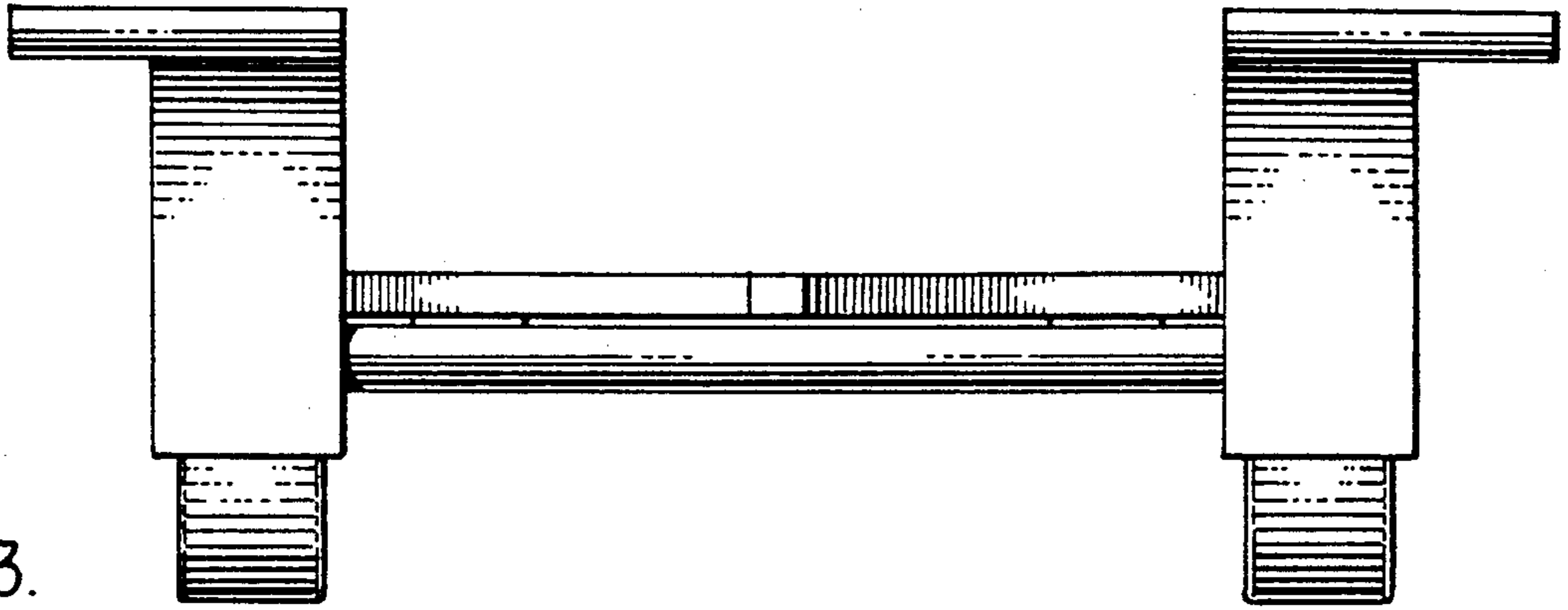


FIG. 4.

