

[54] COMBINED FLOWER POT AND HANGING SUPPORT

[75] Inventor: Pierre Tardif, Longueuil, Canada

[73] Assignee: Plastique DCN Inc., Warwick, Canada

[\*\*] Term: 14 Years

[21] Appl. No.: 261,190

[22] Filed: Oct. 24, 1988

[52] U.S. Cl. .... D11/148; D11/152

[58] Field of Search ..... D11/143, 152, 153, 164, D11/148; D8/1; 47/66, 79, 67, 71; D6/513, 514

[56] References Cited

U.S. PATENT DOCUMENTS

2,722,779	11/1955	Allerdice	47/71
3,125,255	3/1964	Kaiser	47/79
3,943,661	3/1976	DeVito et al.	D6/513
4,232,482	11/1980	Watt	47/71
4,236,351	12/1980	Smith	47/79
4,343,109	8/1982	Holtkamp	47/39

OTHER PUBLICATIONS

"The Glass of Frederick Carder", ©1971; P. V. Gardner; p. 150; bowl 6169 (upper right).  
Poppytrail Pottery Cat.; p. 11; saucer P-727 (lower left).

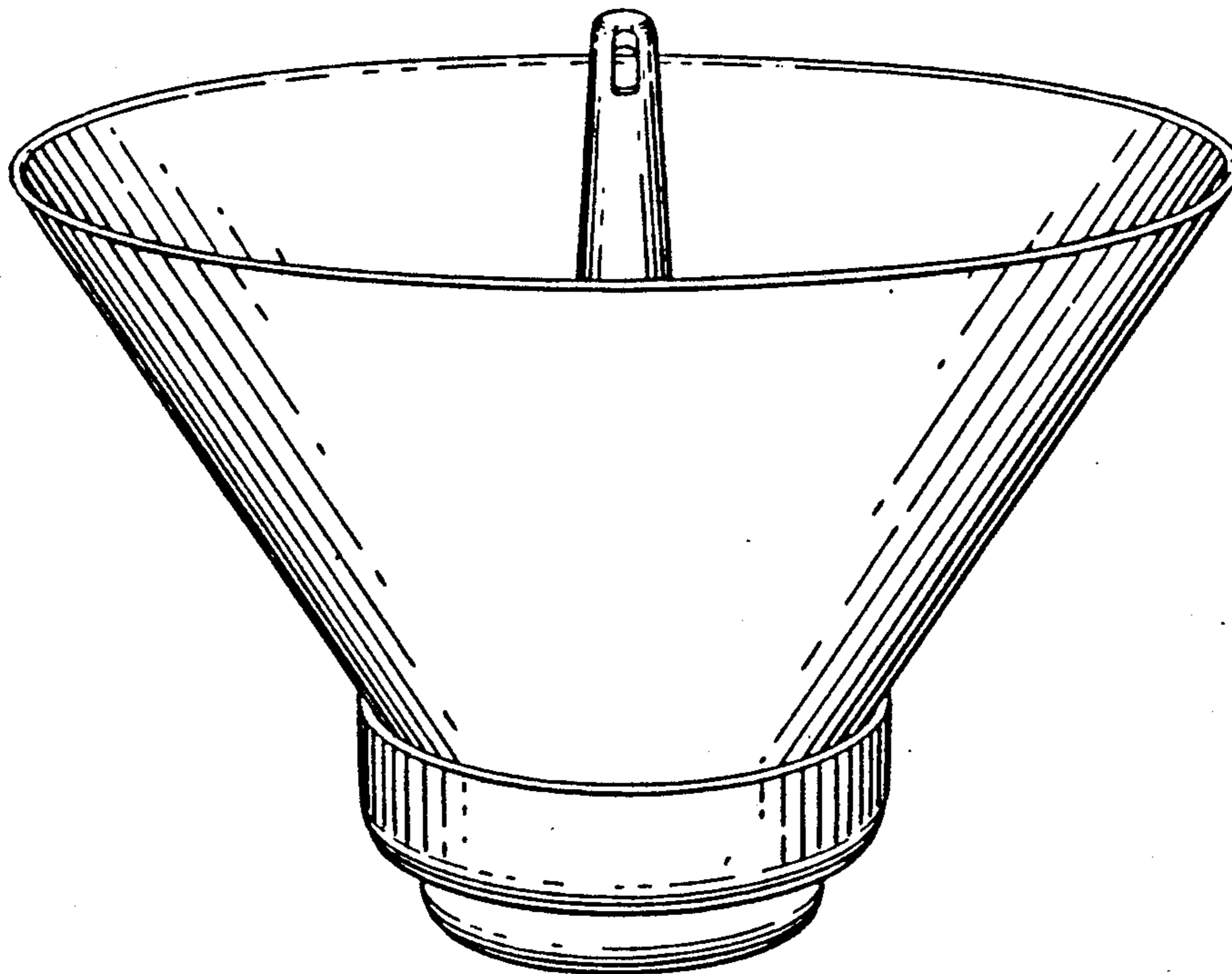
Primary Examiner—B. J. Bullock  
Attorney, Agent, or Firm—Jean H. Dubuc

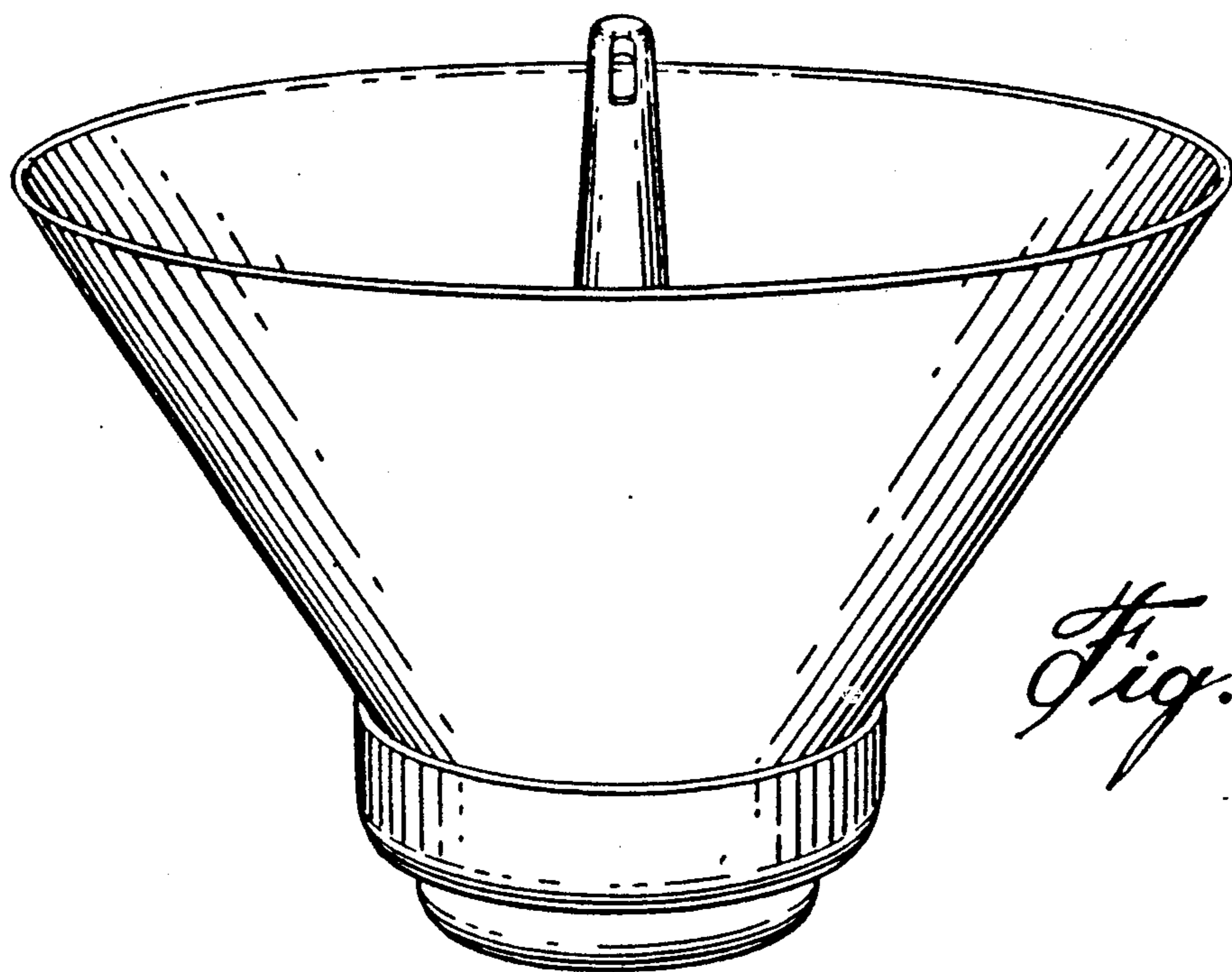
[57] CLAIM

The ornamental design for a combined flower pot and hanging support, as shown and described.

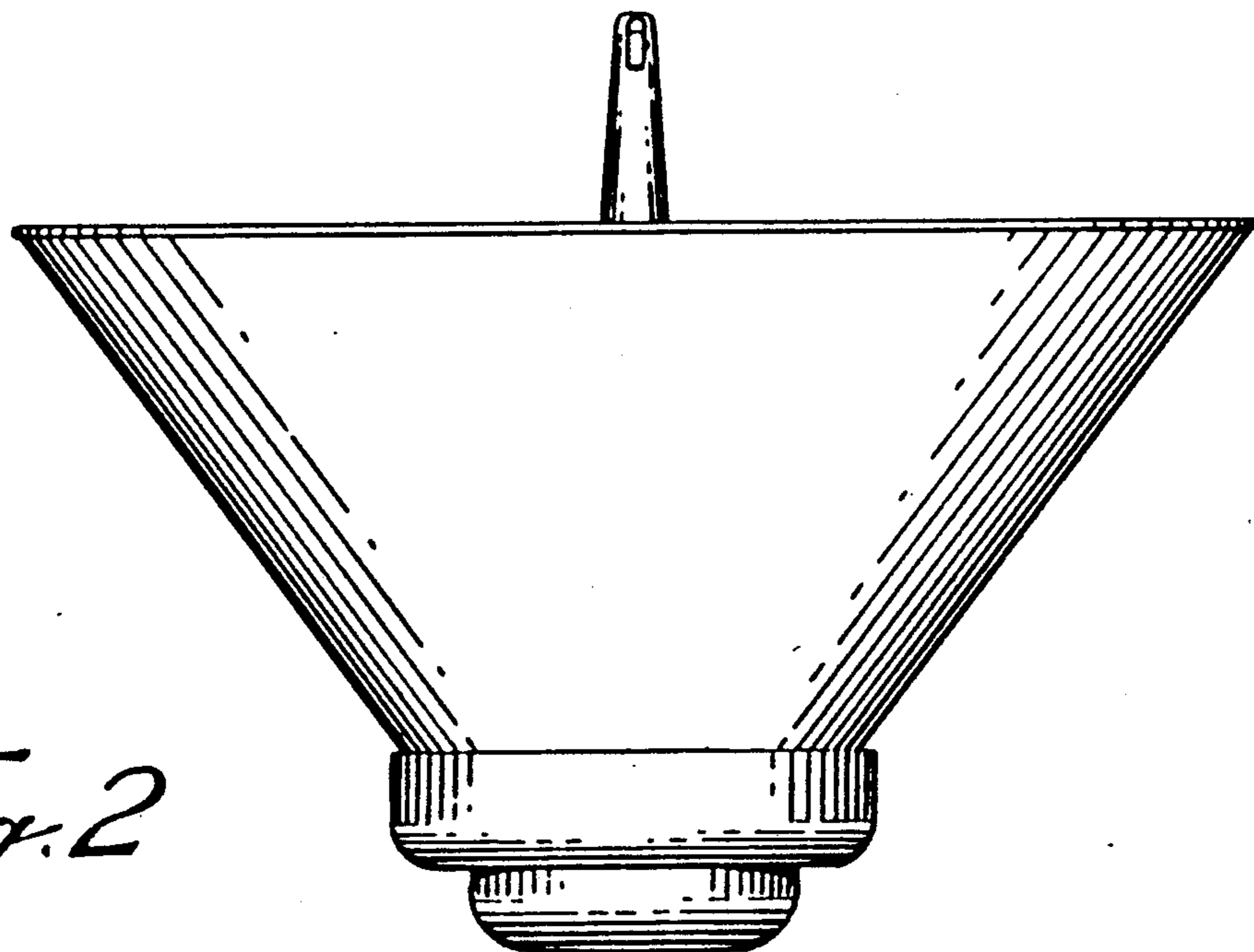
DESCRIPTION

FIG. 1 is a perspective view of a combined flower pot and hanging support showing my new design;  
FIG. 2 is a front elevational view thereof, the rear being identical;  
FIG. 3 is a top plan view thereof;  
FIG. 4 is a side elevational view thereof, both sides being identical;  
FIG. 5 is a bottom plan view thereof.

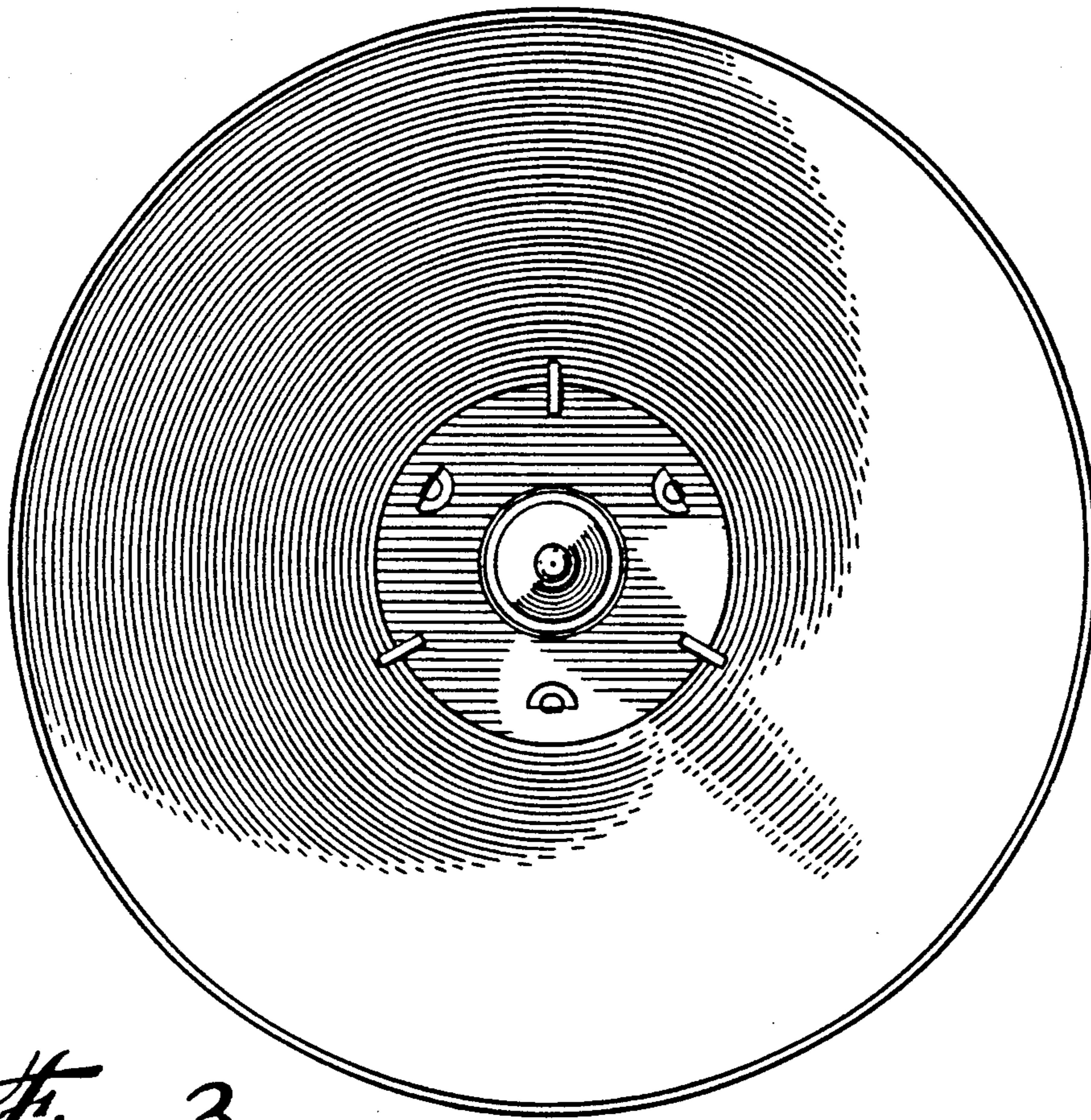




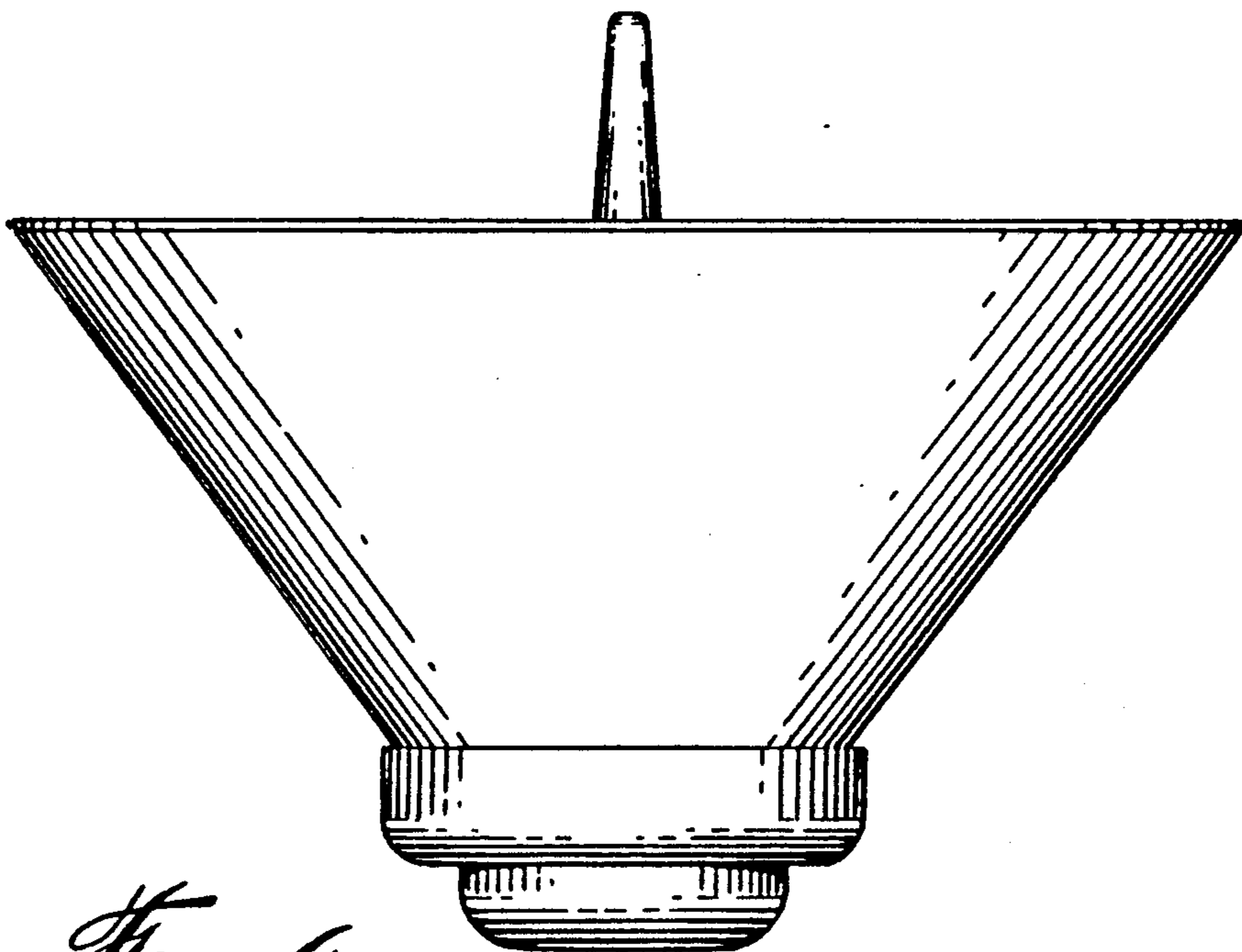
*Fig. 1*



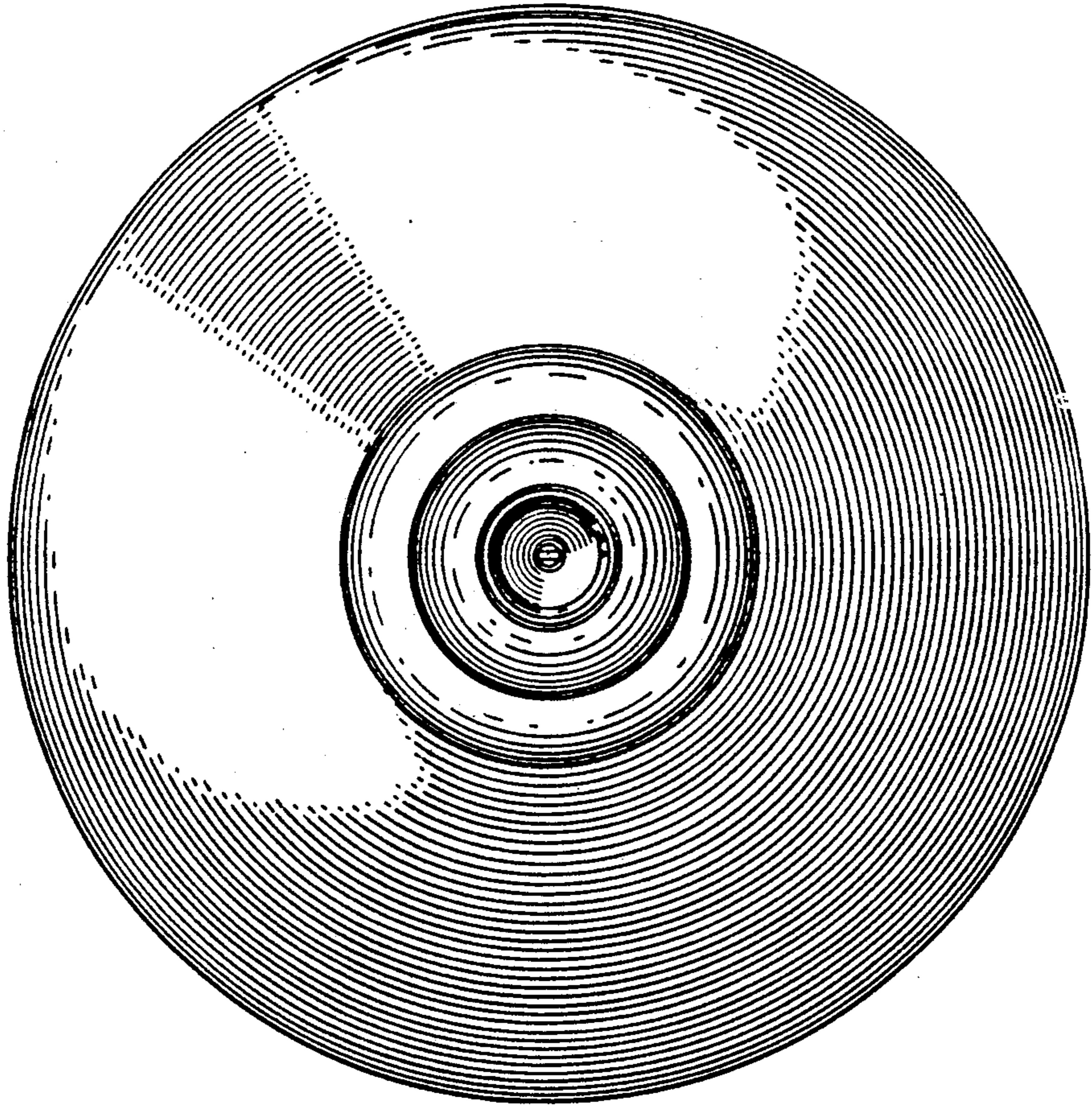
*Fig. 2*



*Fig. 3*



*Fig. 4*



*Fig. 5*