

[54] HOUSEHOLD SCALE

[75] Inventor: Furio Minuti, Macerata, Italy

[73] Assignee: Fratelli Guzzini S.p.A., Recanati, Italy

[\*\*] Term: 14 Years

[21] Appl. No.: 297,748

[22] Filed: Jan. 17, 1989

[30] Foreign Application Priority Data

Aug. 18, 1988 [IT] Italy ..... 21751B/88  
 [52] U.S. Cl. .... D10/91  
 [58] Field of Search ..... D10/89, 91; 177/225,  
 177/227, 228, 229, 230, 231, 238, 240, 241, 242,  
 243, 245, 262

[56] References Cited

U.S. PATENT DOCUMENTS

D. 265,467 7/1982 Perrier ..... D10/91  
 D. 309,868 8/1990 Busse ..... D10/91  
 2,074,628 3/1937 Tatum ..... 177/231  
 2,487,664 11/1949 Morgan ..... 177/243 X  
 3,894,591 7/1975 Ackeret ..... 177/229 X

OTHER PUBLICATIONS

Housewares, The Family of Scales by Soehnle, 1/1979, 66.

Industrial Design, Terrailon's BA2000 kitchen scale, 6/1972.

Primary Examiner—Nelson C. Holtje  
Assistant Examiner—Antoine D. Davis  
Attorney, Agent, or Firm—Hedman, Gibson, Costigan & Hoare

[57] CLAIM

The ornamental design for a household scale, as shown and described.

DESCRIPTION

FIG. 1 is a top, front and right side perspective view of a household scale showing my new design;  
 FIG. 2 is a top plan view;  
 FIG. 3 is a bottom plan view;  
 FIG. 4 is a left side elevational view;  
 FIG. 5 is a front elevational view;  
 FIG. 6 is a rear elevational view;  
 FIG. 7 is a top, front and right side elevational view of FIG. 1, with the scale pan turned upside-down;  
 FIG. 8 is a top plan view of FIG. 7;  
 FIG. 9 is a bottom plan view of FIG. 7;  
 FIG. 10 is a left side elevational view of FIG. 7;  
 FIG. 11 is a front elevational view of FIG. 7;  
 FIG. 12 is a rear elevational view thereof, of FIG. 7.

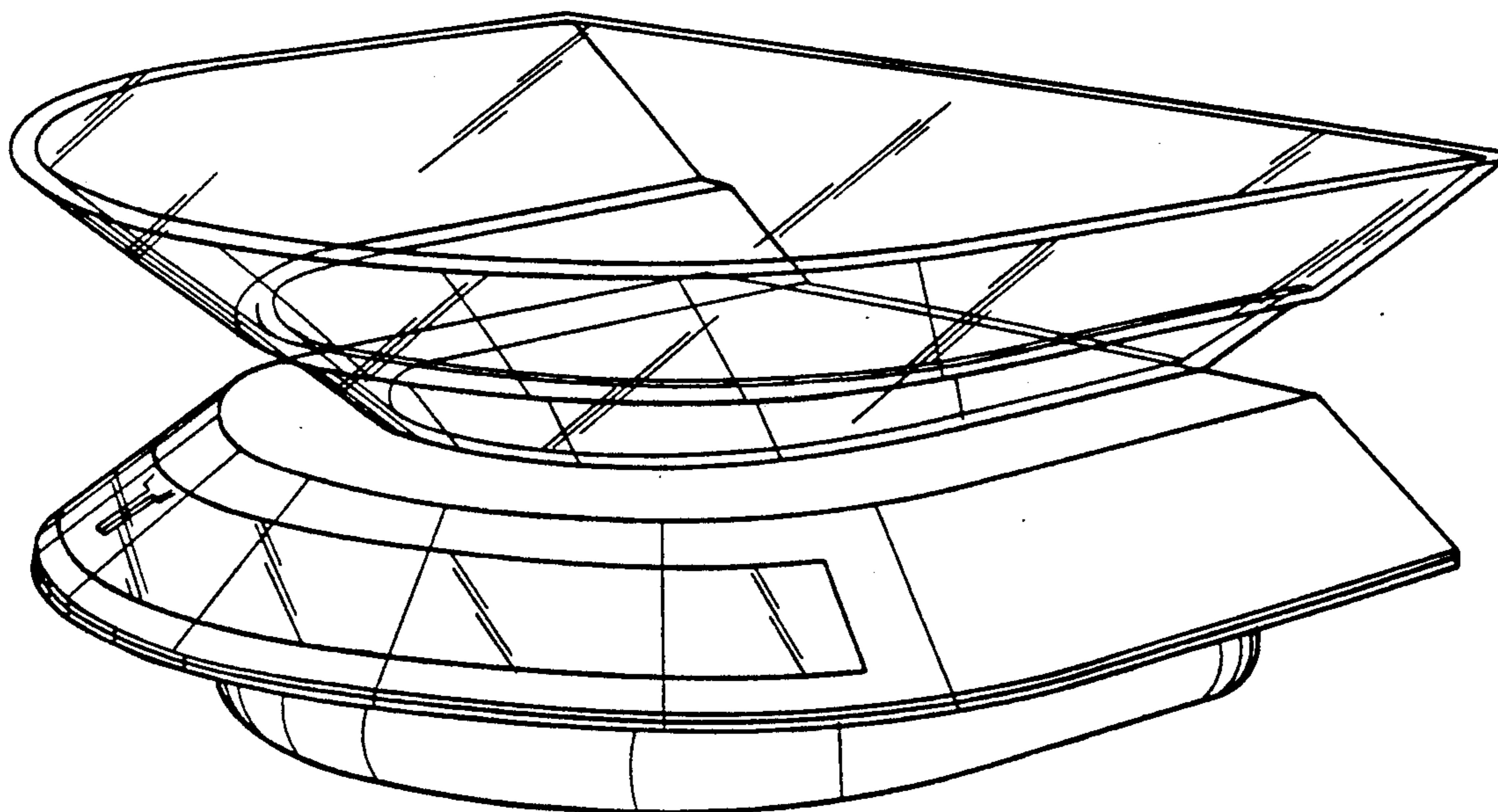


Fig.1

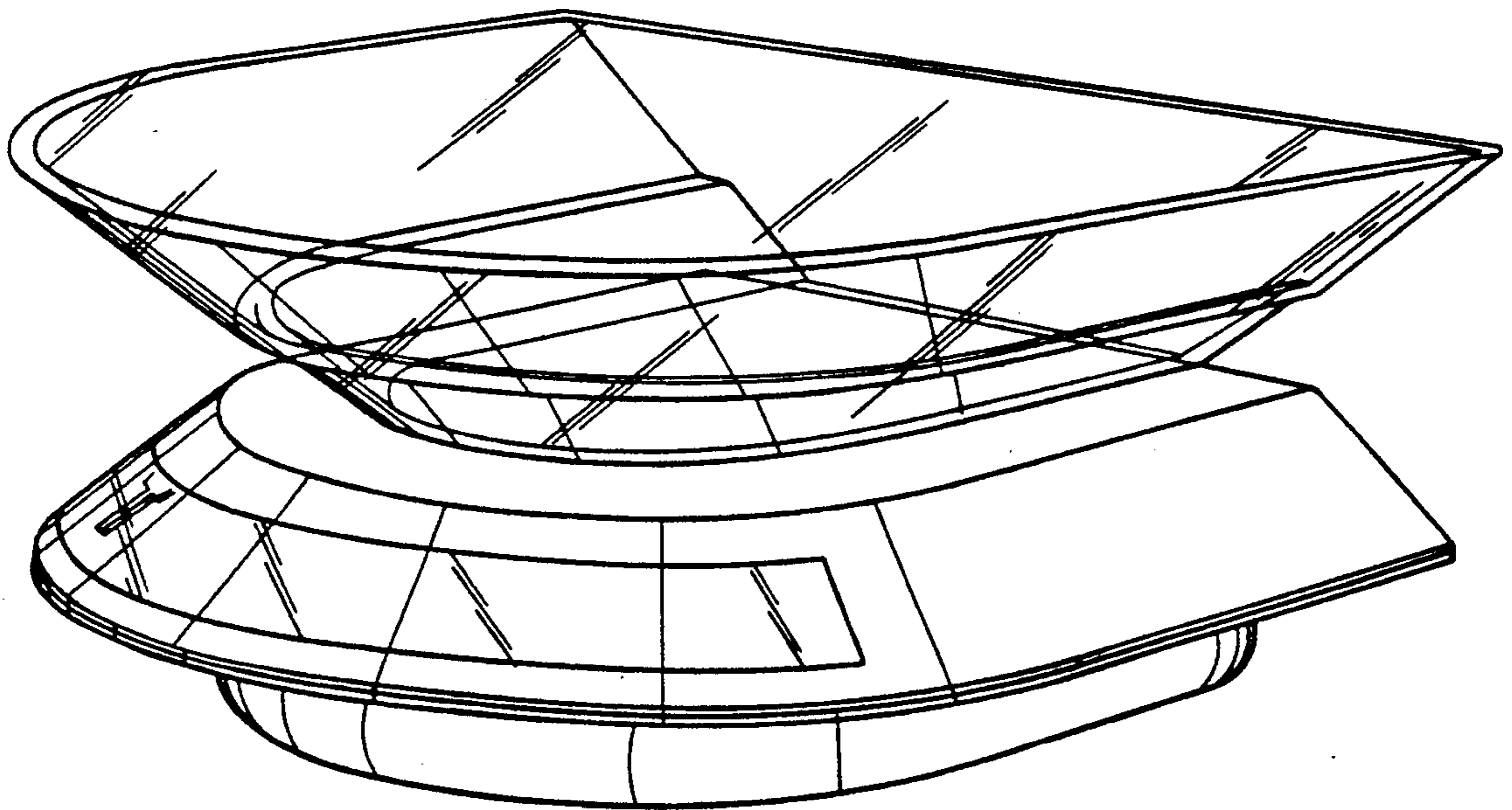


Fig.2

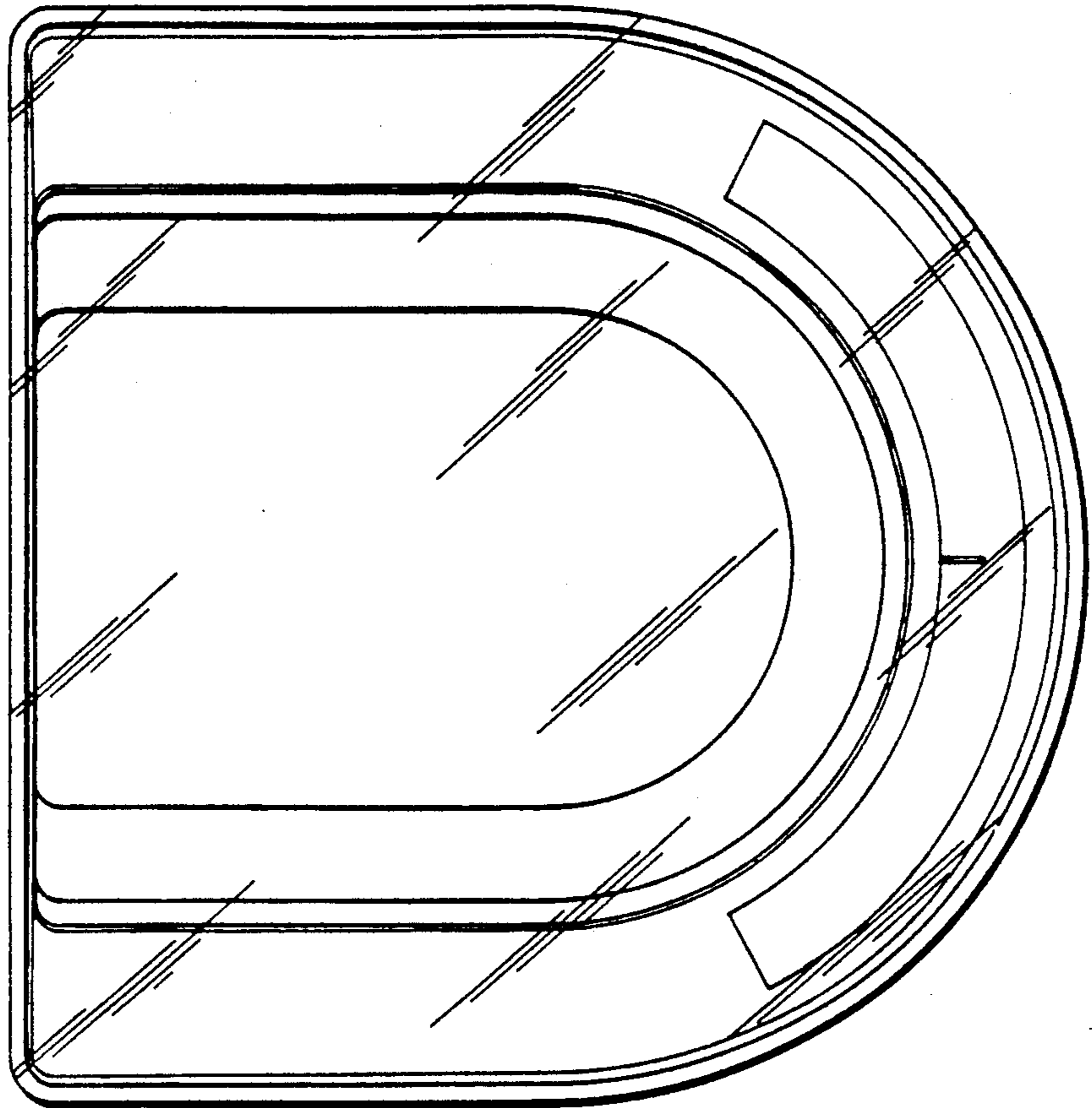


Fig.3

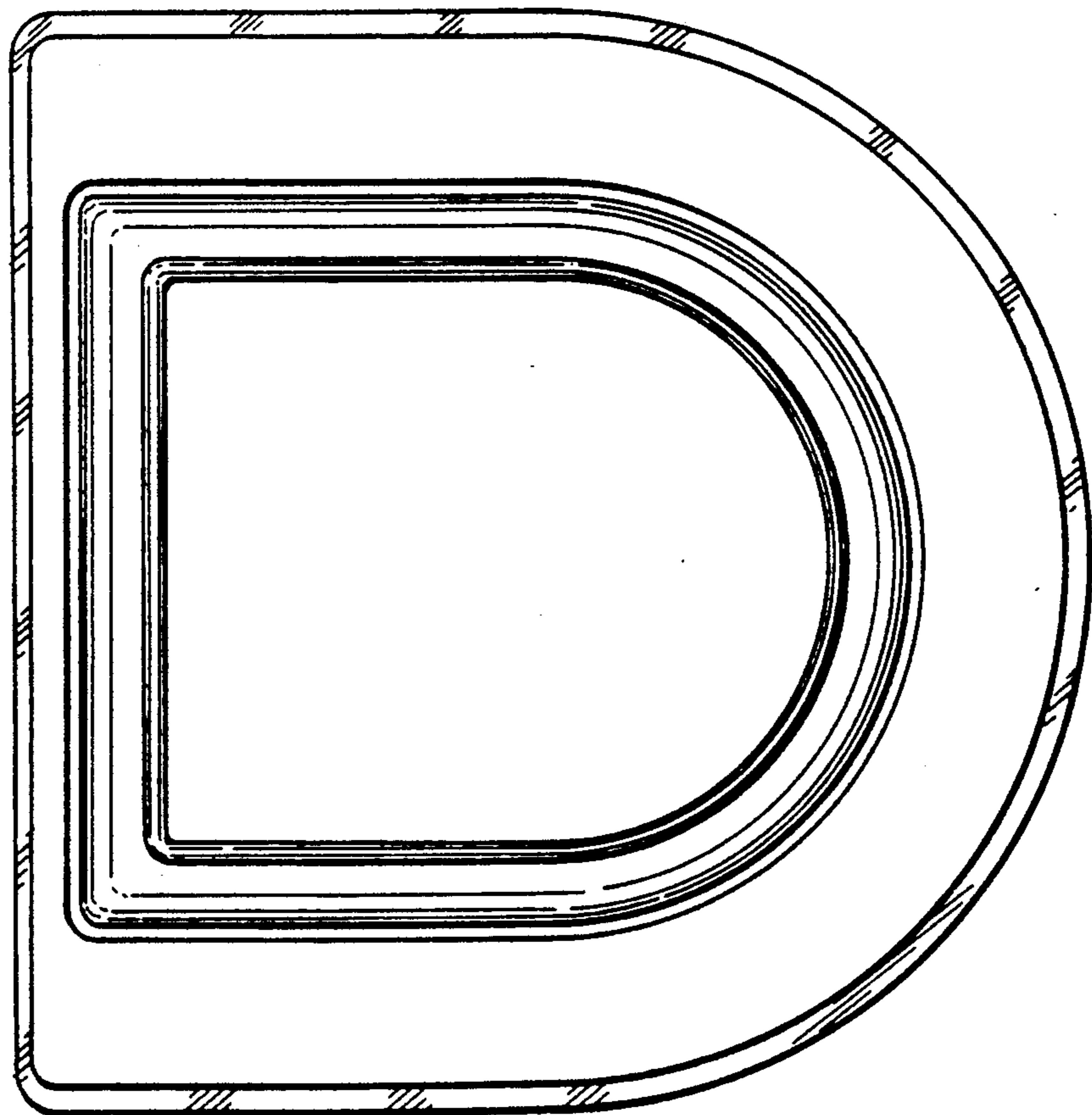


Fig.4

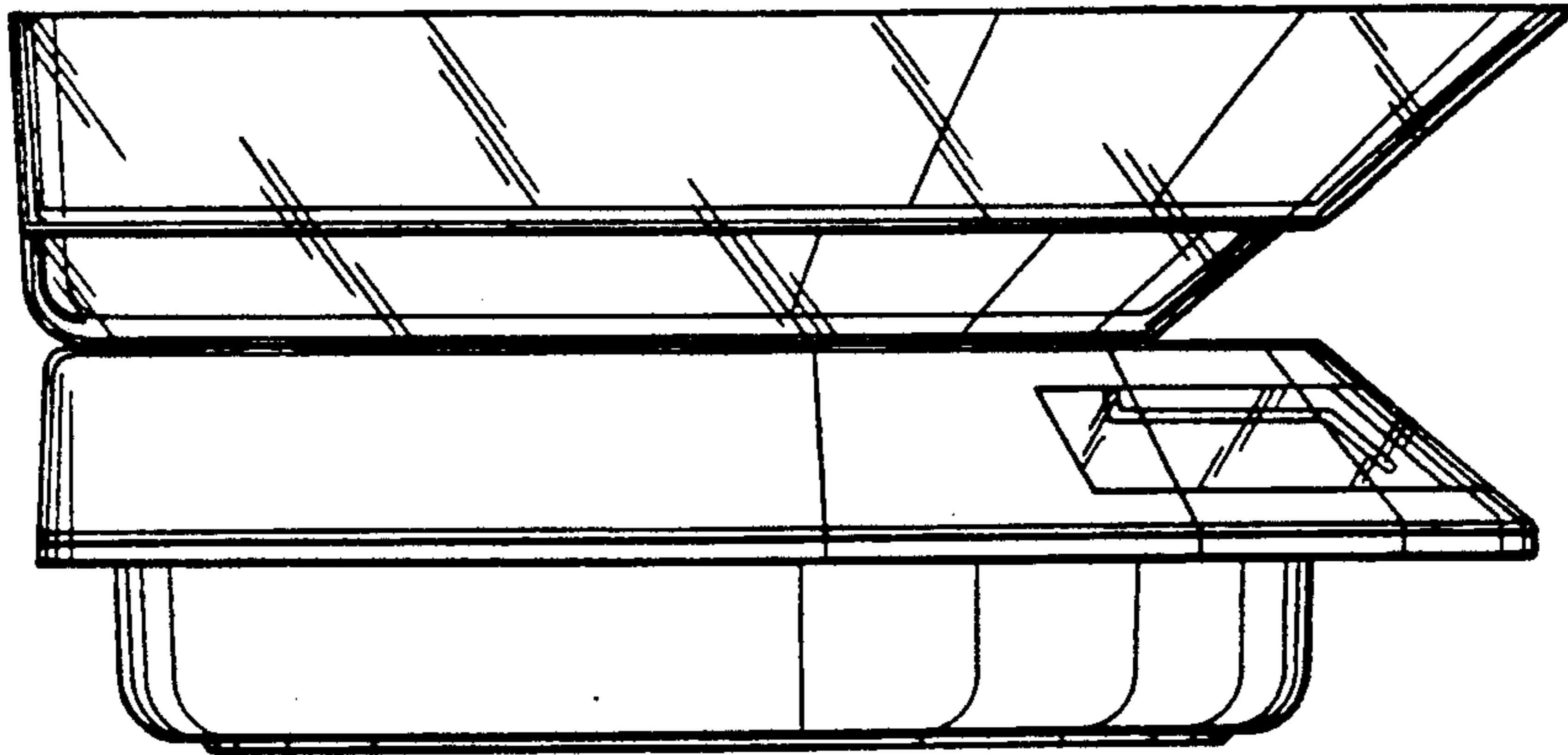


Fig.5

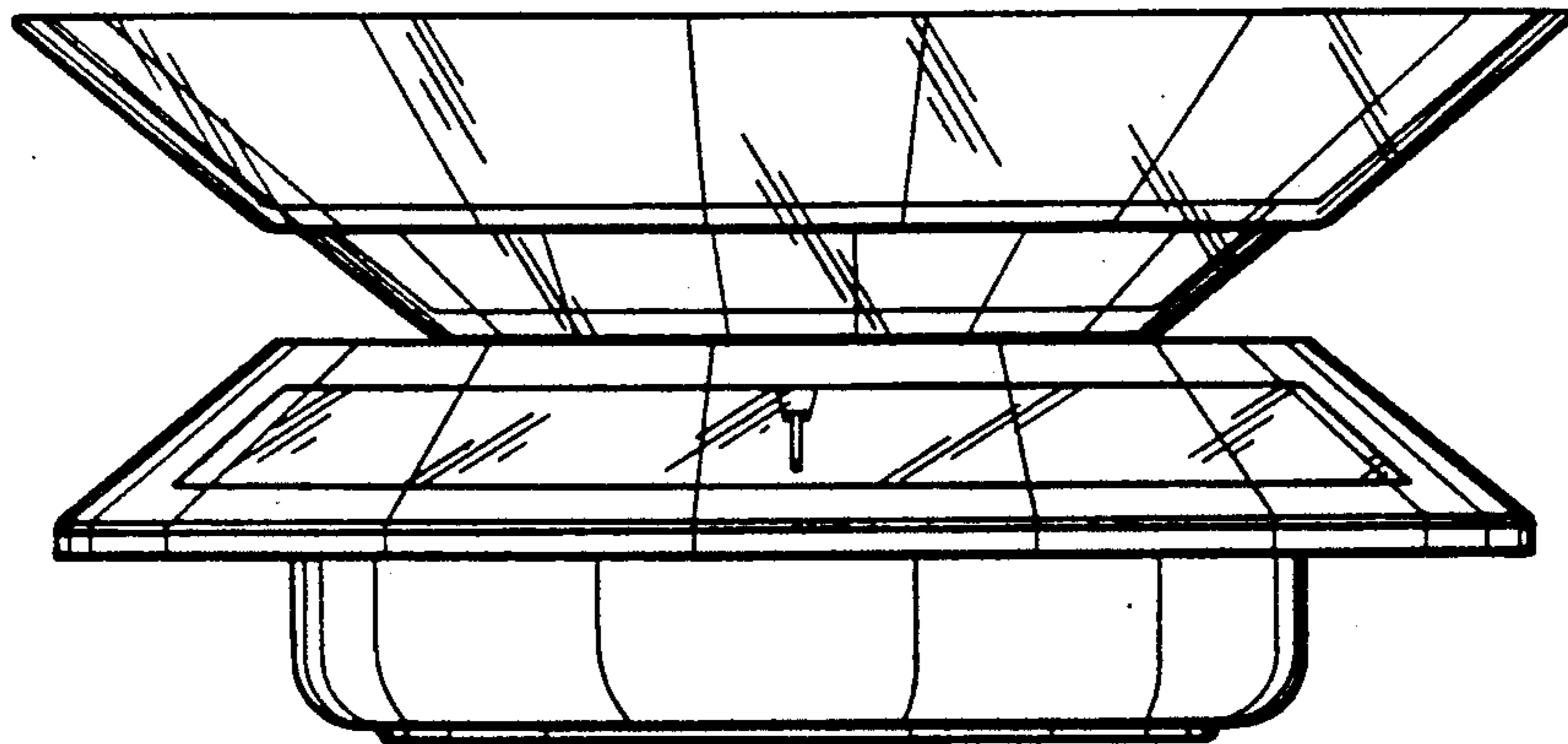


Fig.6

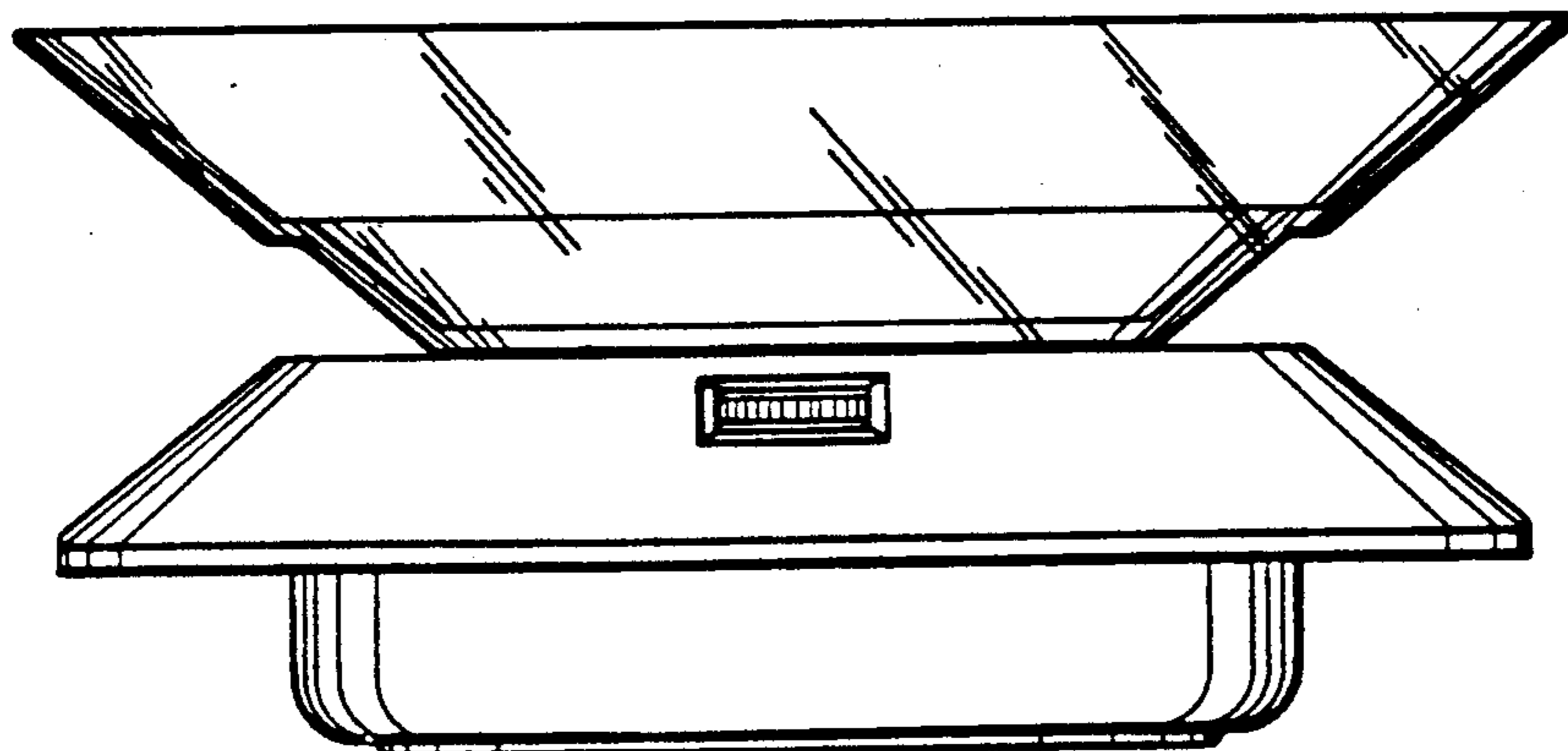


Fig.7

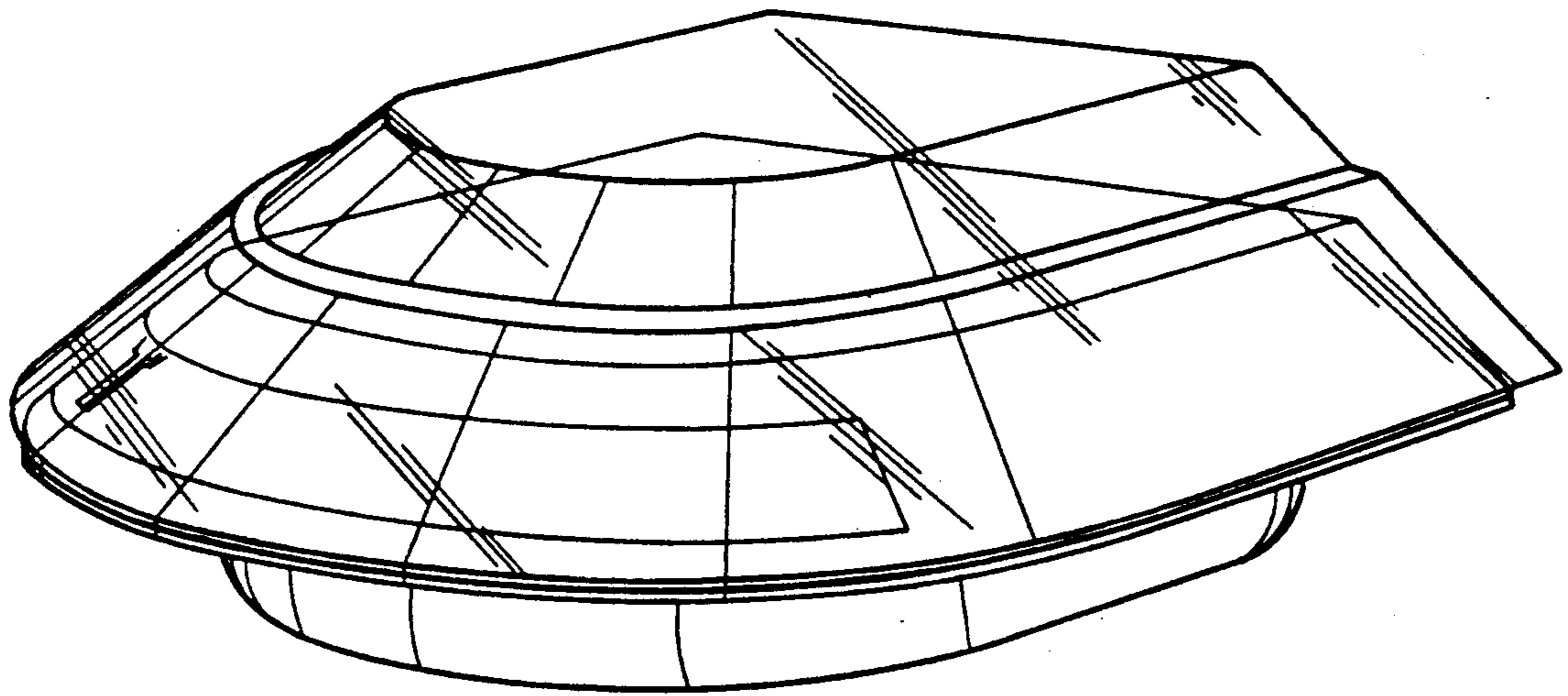


Fig.8

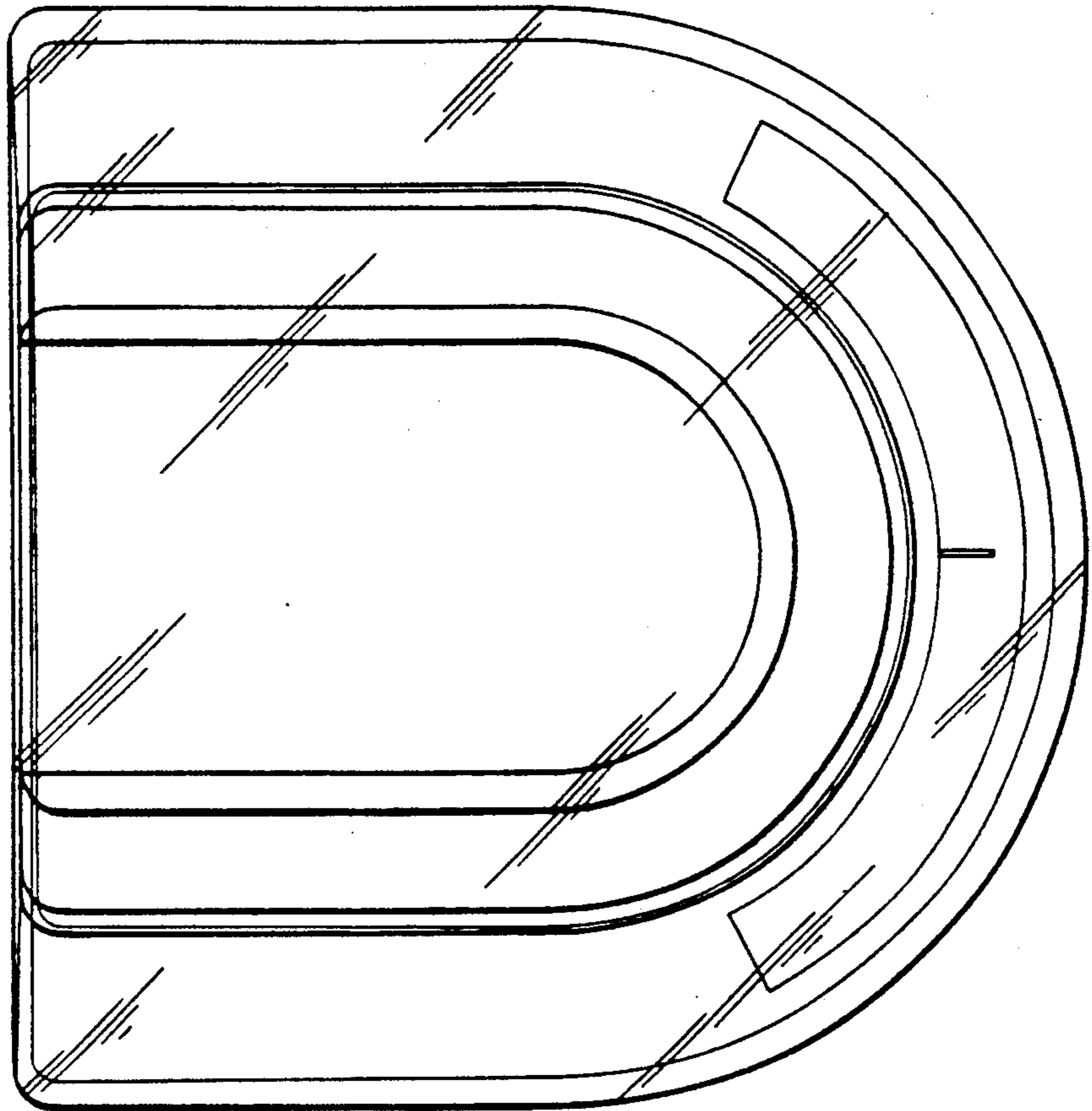


Fig.9

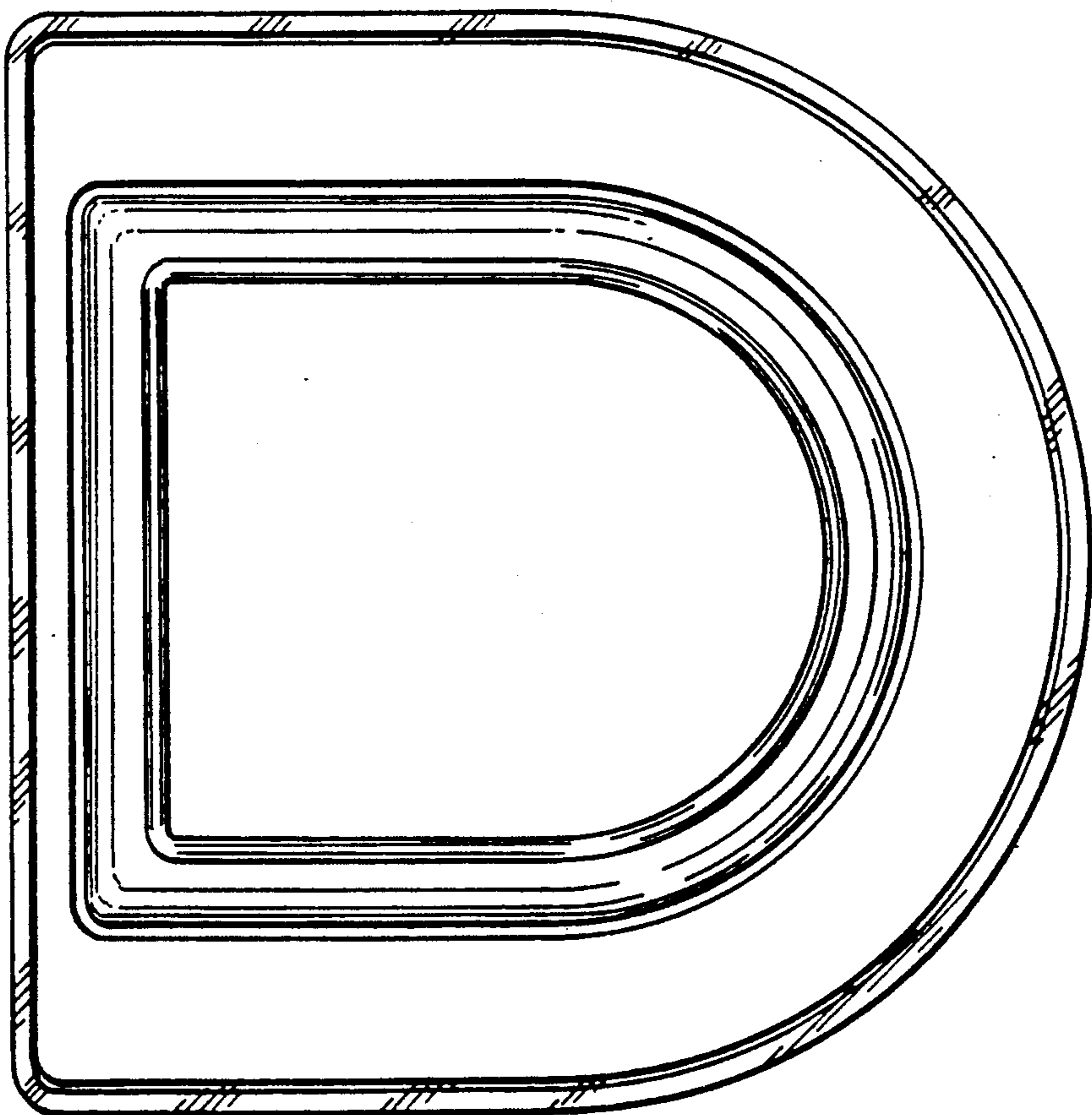


Fig.10

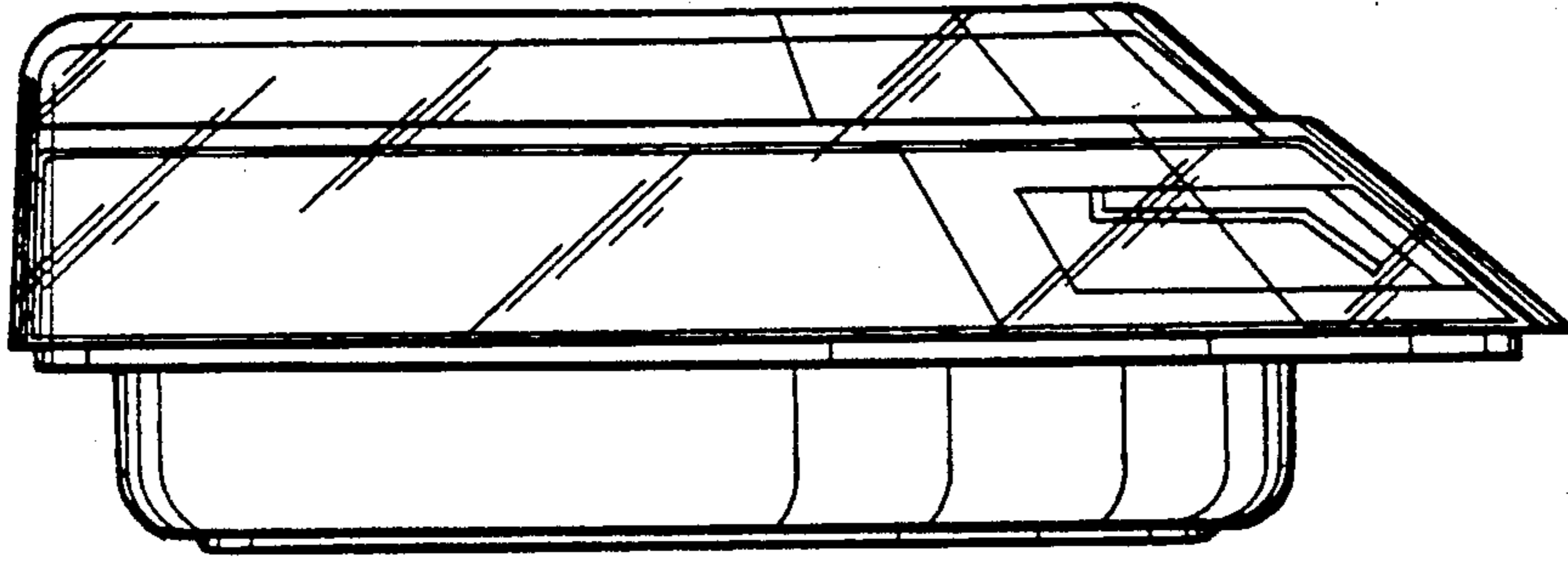


Fig.11

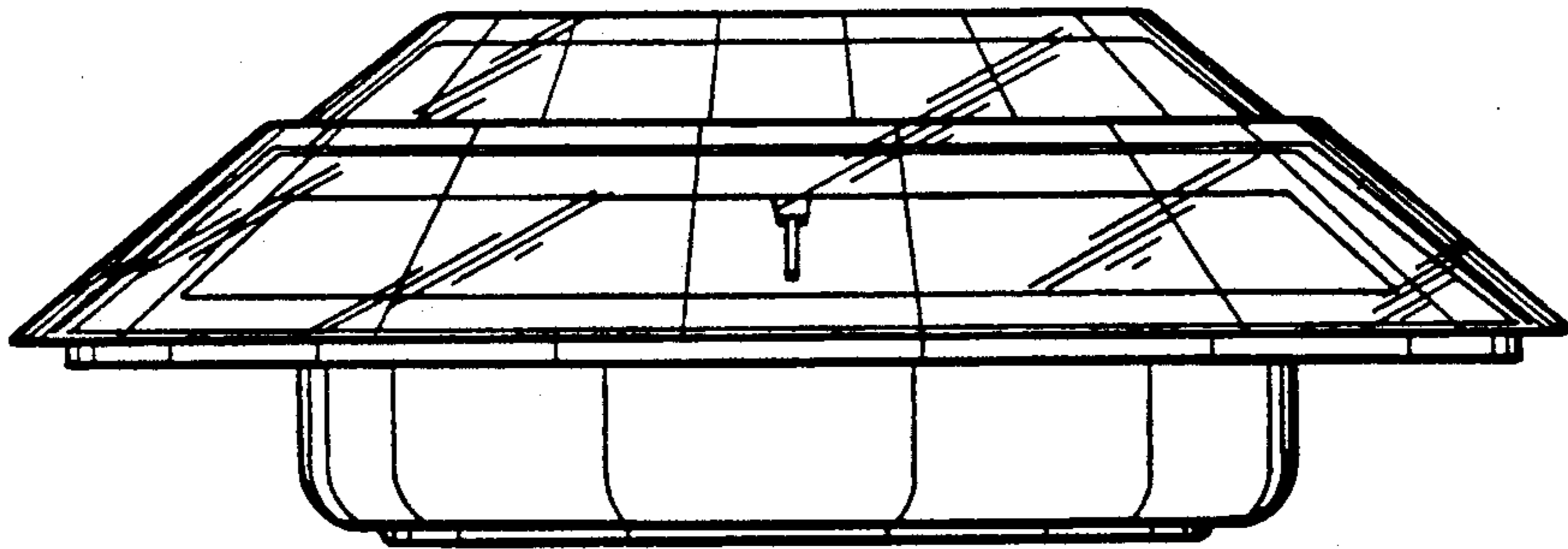


Fig.12

