

[54] INSTRUMENT CASE FOR ELECTRONIC TEST AND TROUBLESHOOTING EQUIPMENT

[75] Inventors: Edmond C. Eng, Lynnwood; Joseph V. Ferrante, Redmond, both of Wash.

[73] Assignee: John Fluke Mfg. Co., Inc., Everett, Wash.

[**] Term: 14 Years

[21] Appl. No.: 255,147

[22] Filed: Oct. 7, 1988

[52] U.S. Cl. D10/75; D14/107

[58] Field of Search D18/6, 7; D14/100, 106, D14/107, 218; D10/57, 60, 75, 78, 92, 103, 46, 76, 77; 364/706-710, 200, 481, 900; 200/5 A; 324/73.1, 117 H, 133, 149, 156, 158 P, 158 F, 505, 514, 537, 666, 670, 689; 365/94, 201; 371/10.1, 15.1, 16.2, 21.1, 21.2, 22.1, 22.4, 22.6, 25.1, 26-29.1

[56] References Cited

U.S. PATENT DOCUMENTS

- D. 189,849 3/1961 Koch D10/46
- D. 224,048 6/1972 Bauer et al. D10/78 X

- D. 247,391 2/1978 Hazama et al. D18/7
- D. 253,698 12/1979 Nichols et al. D14/218
- D. 274,894 7/1974 Houlihan et al. D10/92
- D. 285,668 9/1986 Tanaka et al. D14/218 X
- D. 307,399 4/1990 Collister D10/46
- 2,426,712 9/1947 Simpson 324/156
- 4,176,315 11/1979 Sunnarborg 324/156
- 4,399,404 8/1983 Resh 324/670 X
- 4,701,696 10/1987 Bogardus et al. 324/158 P

Primary Examiner—Nelson C. Holtje
Assistant Examiner—Caron D. Veynar
Attorney, Agent, or Firm—George T. Noe

[57] CLAIM

The ornamental design for an instrument case for electronic test and troubleshooting equipment, as shown and described.

DESCRIPTION

FIG. 1 is a left, front and top perspective view of an instrument case for electronic test and troubleshooting equipment showing our new design; FIG. 2 is a top plan view thereof; FIG. 3 is a right side elevational view thereof; FIG. 4 is a bottom plan view thereof; FIG. 5 is a left side elevational view thereof; FIG. 6 is a rear elevational view thereof; and FIG. 7 is a front elevational view thereof.

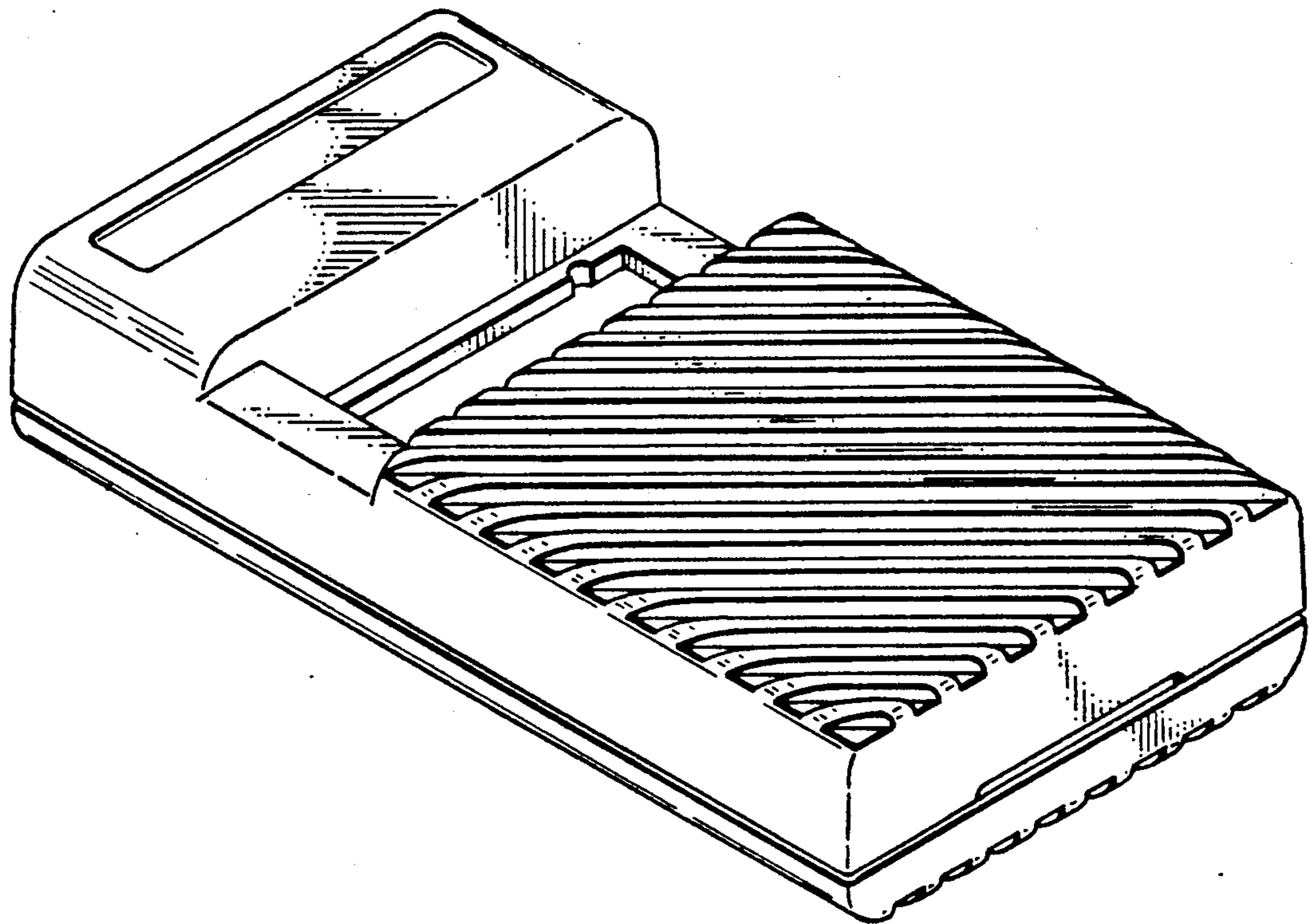


FIG. 1

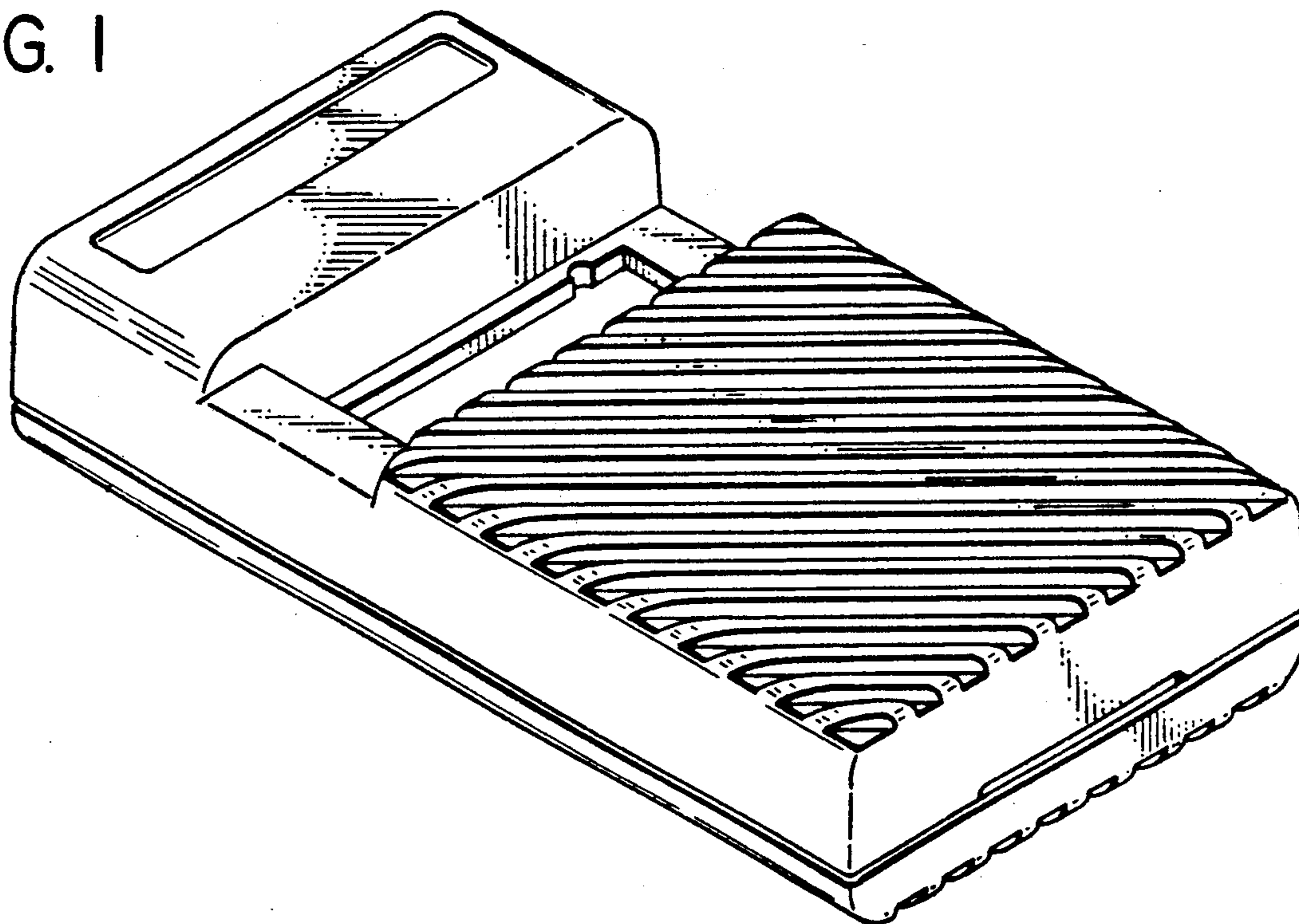


FIG. 2

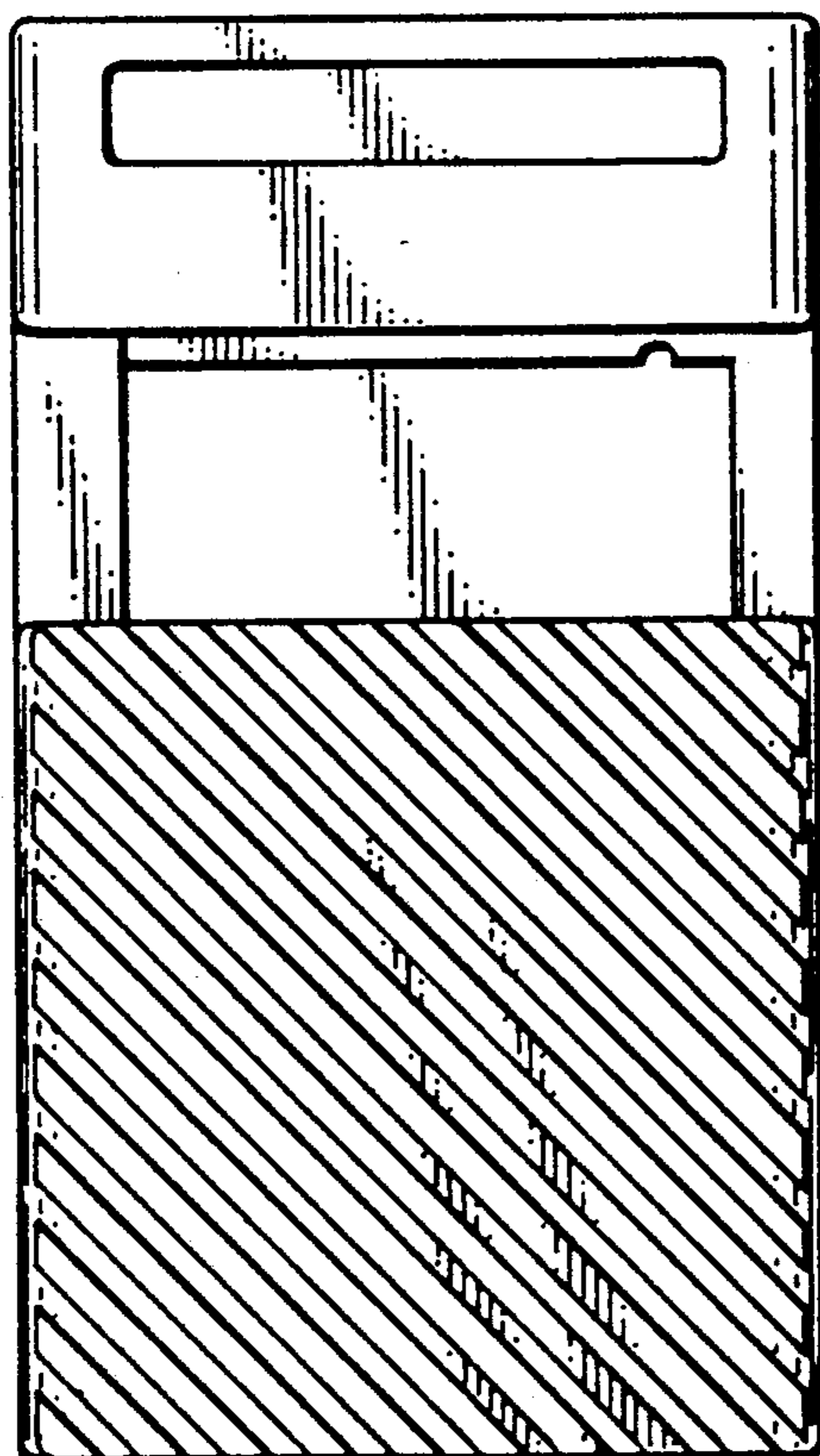


FIG. 3

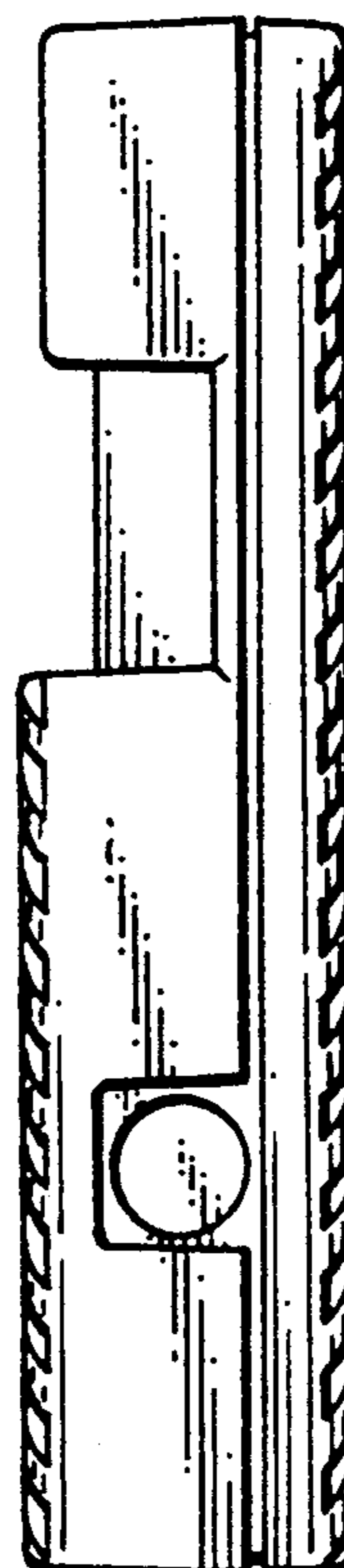


FIG. 4

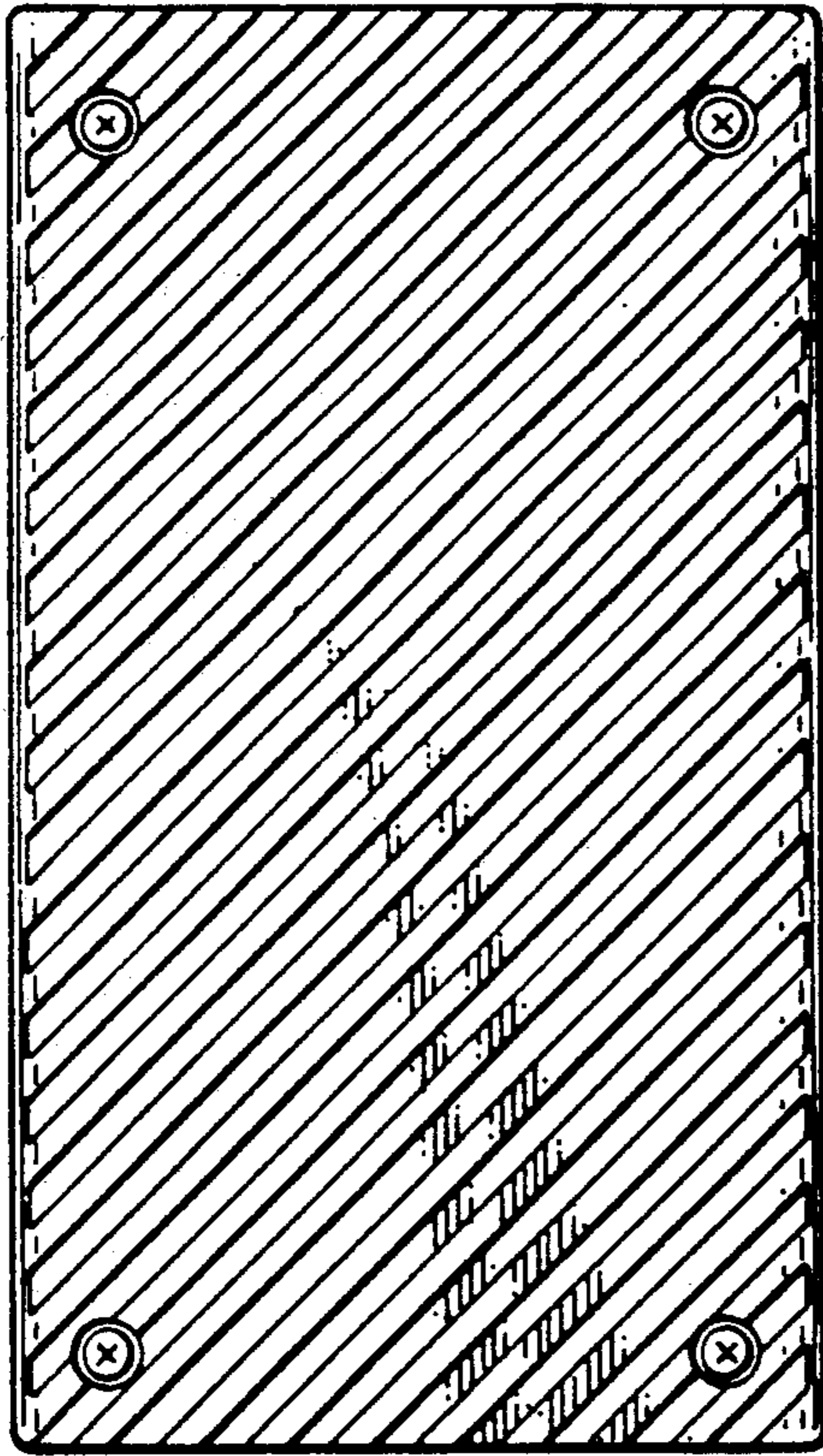


FIG. 5

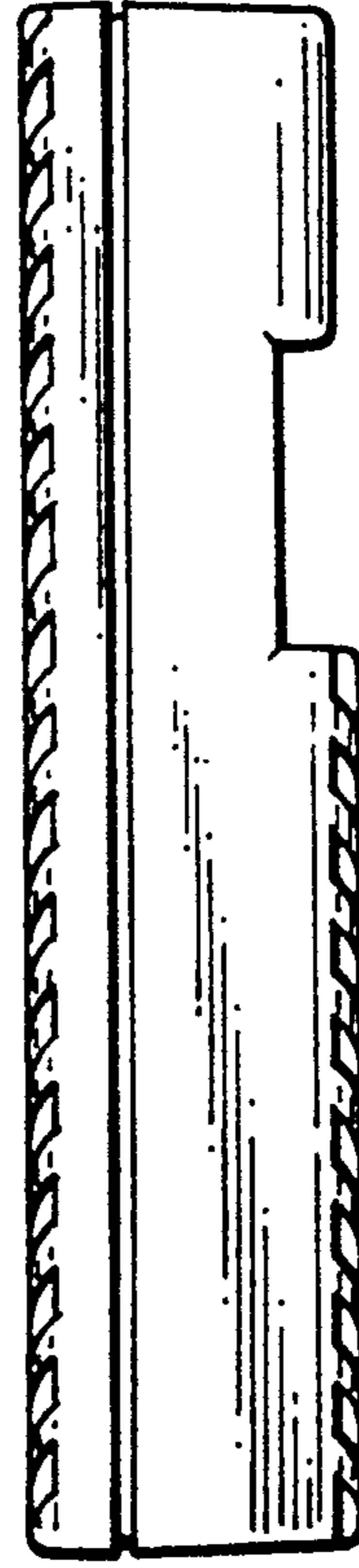


FIG. 6

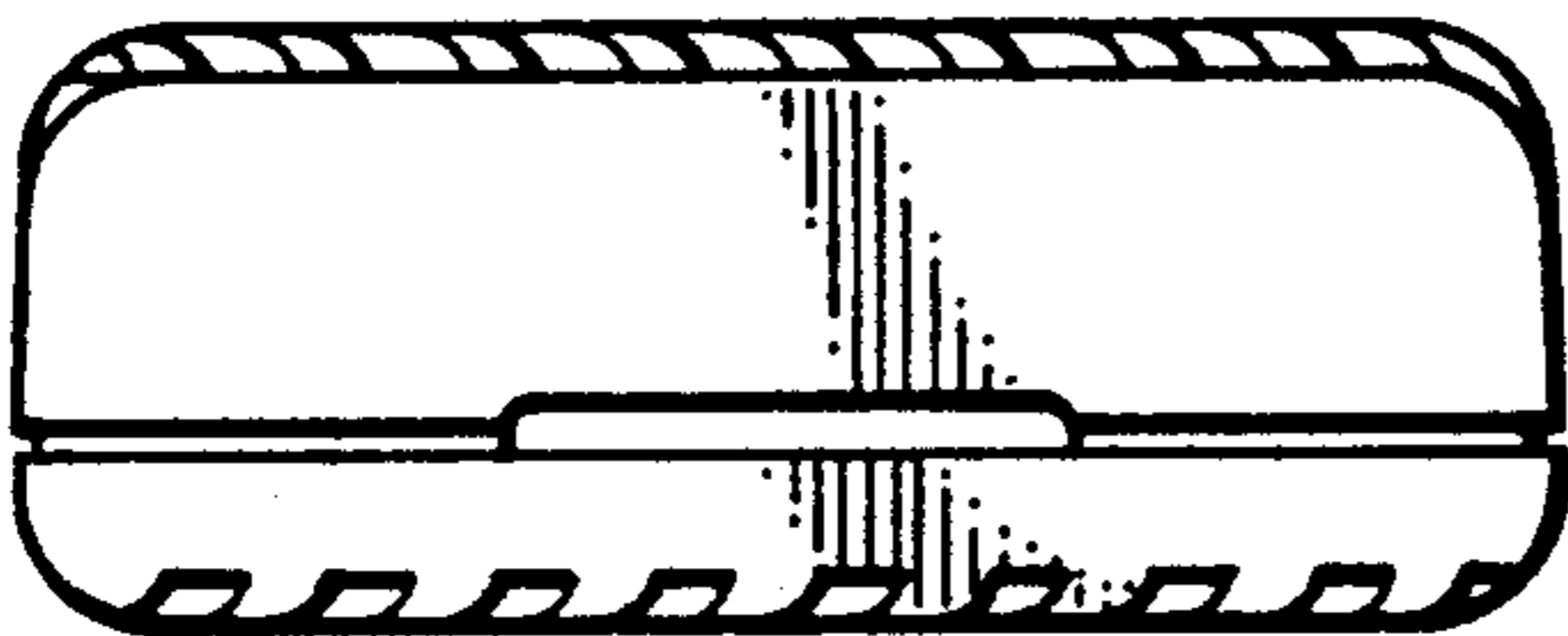


FIG. 7

